



US00D717593S

(12) **United States Design Patent**
Bond

(10) **Patent No.:** **US D717,593 S**

(45) **Date of Patent:** **** Nov. 18, 2014**

(54) **BEVERAGE DISPENSING BAR GUN**

(71) Applicant: **Schroeder Industries, Inc.**, San Antonio, TX (US)

(72) Inventor: **Kenneth D. Bond**, San Antonio, TX (US)

(73) Assignee: **Schroeder Industries, Inc.**, San Antonio, TX (US)

(**) Term: **14 Years**

(21) Appl. No.: **29/438,565**

(22) Filed: **Nov. 30, 2012**

(51) **LOC (10) Cl.** **07-99**

(52) **U.S. Cl.**

USPC **D7/398; D7/397**

(58) **Field of Classification Search**

USPC **D7/395, 397, 398, 412, 308; 222/144.5; D8/315; D23/255, 238**

See application file for complete search history.

(56) **References Cited**

U.S. PATENT DOCUMENTS

845,905	A *	3/1907	Stocks et al.	91/165
1,947,329	A	2/1934	Buttner	
2,887,250	A	5/1959	Zilk	
2,937,792	A	5/1960	Firstenerg	
4,497,421	A *	2/1985	Schilling	222/144.5
4,619,378	A	10/1986	de Man	
D301,056	S *	5/1989	Paul	D23/242
4,921,140	A	5/1990	Belcham	
D309,232	S	7/1990	Valiyee et al.	
4,986,449	A	1/1991	Valiyee et al.	
5,042,692	A	8/1991	Valiyee et al.	
D342,777	S *	12/1993	Paul	D23/257
D348,799	S *	7/1994	Munari	D7/395
D519,617	S *	4/2006	Hoernig	D23/255
D521,613	S *	5/2006	Hoernig	D23/255
D522,092	S *	5/2006	Hoernig	D23/238
D583,905	S *	12/2008	Oh	D23/238

7,658,006	B2 *	2/2010	Schroeder	29/890.142
D615,162	S *	5/2010	Pan	D23/255
D628,014	S *	11/2010	Martindale	D7/398
7,931,382	B2 *	4/2011	Hecht	362/96
D638,659	S	5/2011	Martindale et al.	
8,109,413	B2 *	2/2012	Schroeder et al.	222/145.5
D657,026	S *	4/2012	Berger et al.	D23/255
D666,869	S *	9/2012	Martindale et al.	D7/398

(Continued)

OTHER PUBLICATIONS

Wunder-Bar Food & Beverage Dispensing Systems, Post-Mix Beverage Dispenser, Automatic Bar Controls, Inc., Rev. 120508 Dec. 5, 2008.

Primary Examiner — Marianne Pandozzi

(74) *Attorney, Agent, or Firm* — Jackson Walker, LLP

(57) **CLAIM**

The ornamental design for a beverage dispensing bar gun, as shown and described.

DESCRIPTION

FIG. 1 is a top plan view of a beverage dispensing bar gun showing my new design;

FIG. 2 is a left side elevational view thereof;

FIG. 3 is a bottom plan view thereof;

FIG. 4 is a right side elevational view thereof;

FIG. 5 is a front elevational view thereof;

FIG. 6 is a rear elevational view thereof;

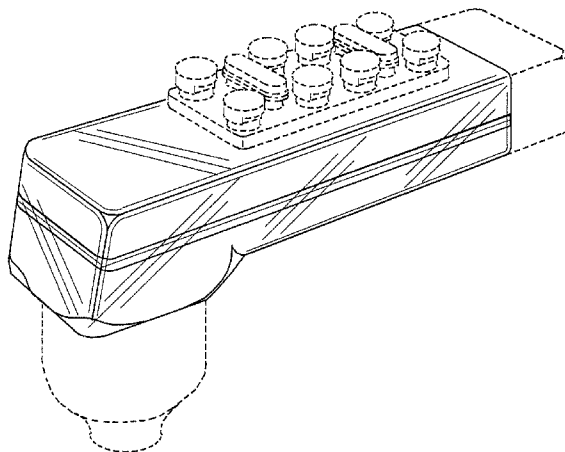
FIG. 7 is a perspective view thereof;

FIG. 8 is a cross-sectional view thereof taken along line 8-8 in FIG. 2; and,

FIG. 9 is a cross-sectional view thereof taken along line 9-9 in FIG. 2.

The drawing is lined for color. The broken line showing of portions of the beverage dispensing bar gun is for the purpose of illustrating portions of the beverage dispensing bar gun and forms no part of the claimed design.

1 Claim, 5 Drawing Sheets



(56)

References Cited

U.S. PATENT DOCUMENTS

8,387,829	B2 *	3/2013	Schroeder et al.	222/144.5	2008/0217357	A1 *	9/2008	Hecht	222/108
8,418,888	B2 *	4/2013	Schroeder et al.	222/145.5	2009/0145927	A1 *	6/2009	Salmela et al.	222/144.5
D697,753	S *	1/2014	Brown	D7/398	2010/0147886	A1 *	6/2010	Martindale	222/113
D701,592	S *	3/2014	Zhenqiang et al.	D23/238	2011/0073617	A1 *	3/2011	Martindale et al.	222/144.5
					2011/0286883	A1 *	11/2011	Hecht et al.	422/24
					2012/0328855	A1 *	12/2012	Yokogi et al.	428/195.1

* cited by examiner

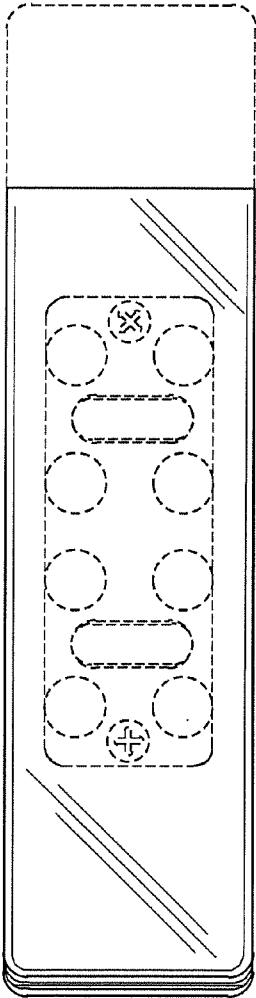


Fig. 1

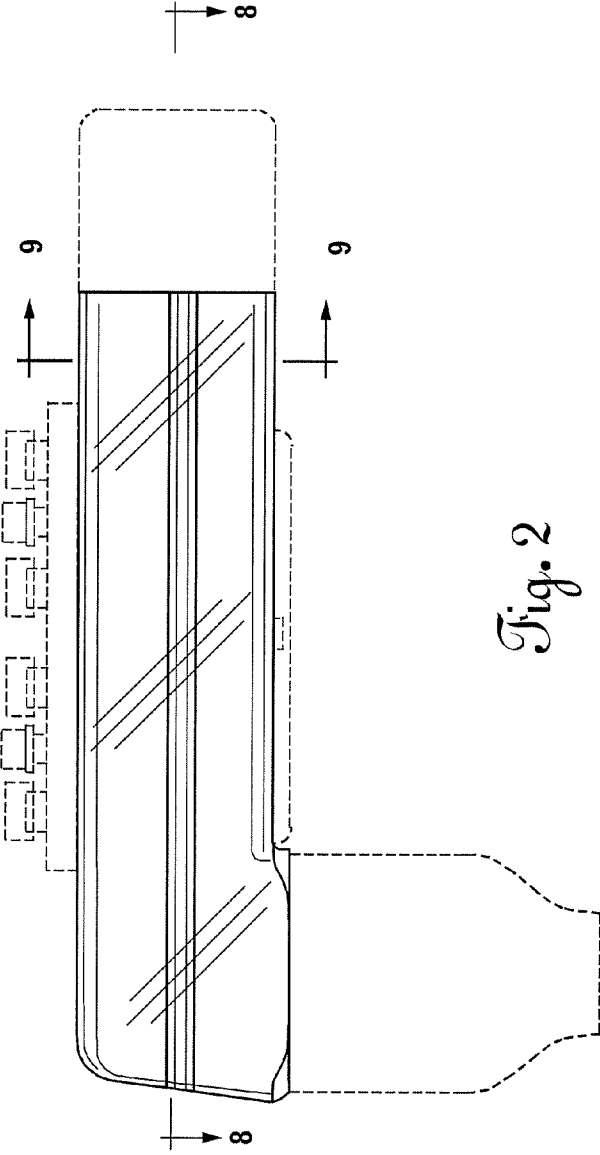


Fig. 2

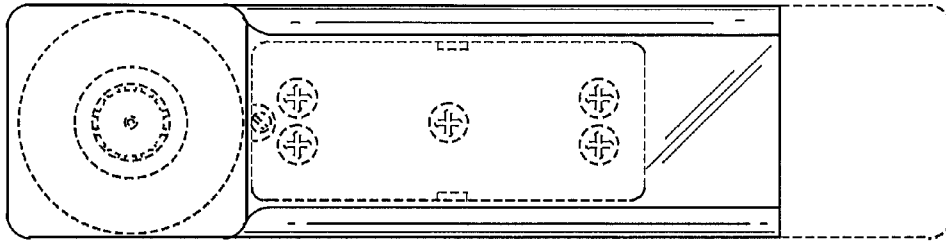


Fig. 3

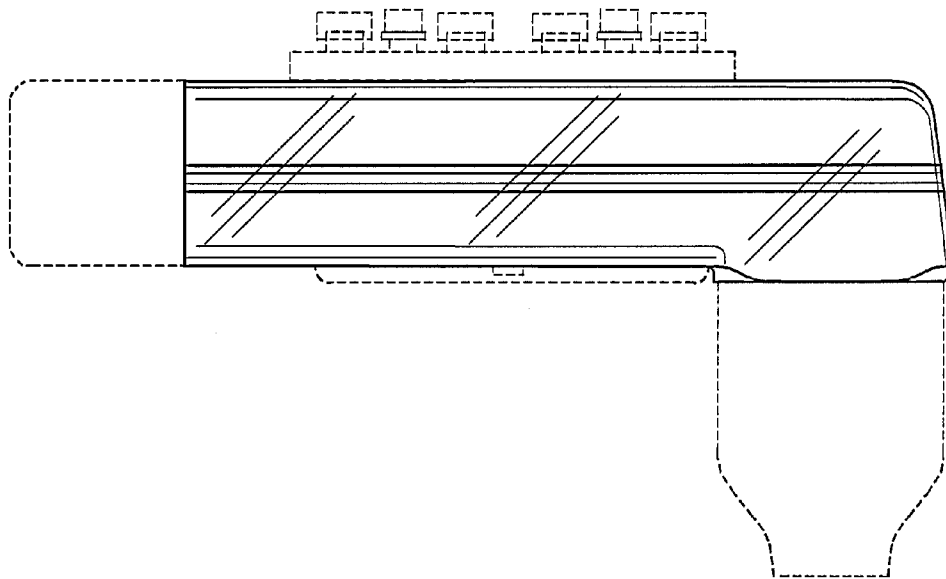


Fig. 4

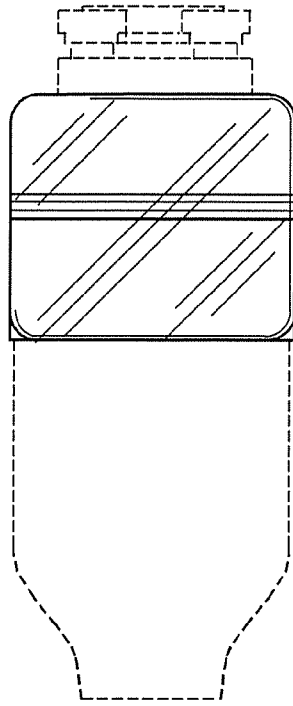


Fig. 5

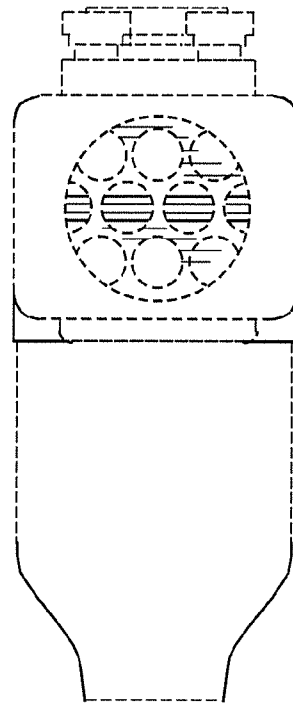


Fig. 6

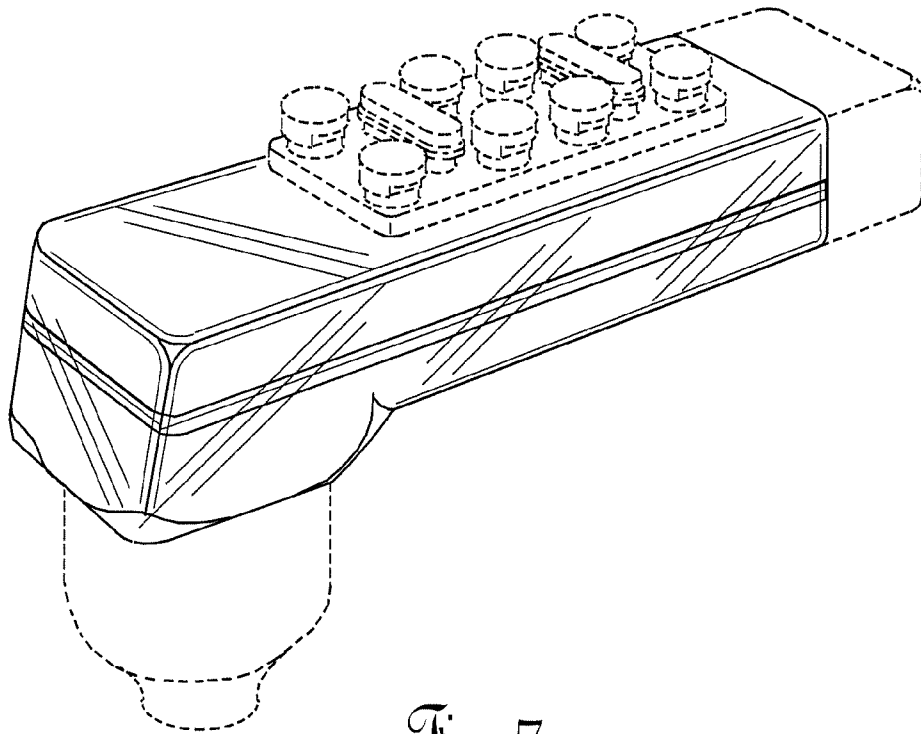


Fig. 7

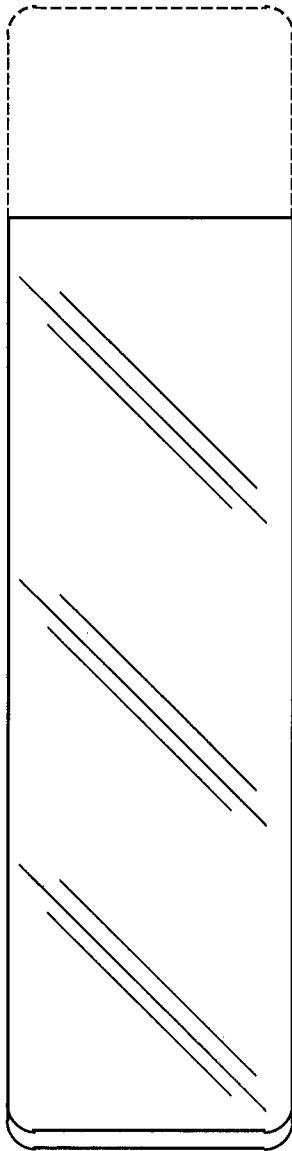


Fig. 8

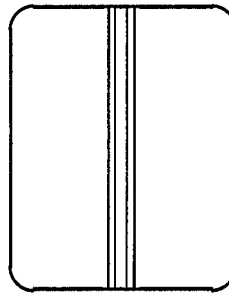


Fig. 9