



(12) **United States Design Patent**  
**Godshaw**

(10) **Patent No.:** **US D613,509 S**  
(45) **Date of Patent:** **\*\* Apr. 13, 2010**

(54) **COMBINED BUCKLE AND ELASTIC LUGGAGE STRAP**

(Continued)

(75) Inventor: **Donald L. Godshaw**, Wilmette, IL (US)

(73) Assignee: **Travel Caddy, Inc.**, Elk Grove Village, IL (US)

(\*\*) Term: **14 Years**

(21) Appl. No.: **29/327,036**

(22) Filed: **Oct. 29, 2008**

(51) **LOC (9) Cl.** ..... **03-01**

(52) **U.S. Cl.** ..... **D3/327**

(58) **Field of Classification Search** ..... 190/102,  
190/108, 18 A, 100, 103, 109, 112, 124;  
224/257, 258, 259; 248/309.1; 249/149;  
D3/318, 321, 322, 276, 277, 279, 283, 902  
See application file for complete search history.

(56) **References Cited**

**U.S. PATENT DOCUMENTS**

4,700,818	A *	10/1987	Orwin	190/27
4,727,987	A	3/1988	Zeza	
4,978,044	A *	12/1990	Silver	224/601
5,026,089	A	6/1991	Grimmonpre	
5,429,288	A	7/1995	Sattler	
5,829,559	A *	11/1998	Nordstrom et al.	190/102
5,842,673	A	12/1998	Fenton	
6,038,745	A	3/2000	Rapp	
6,141,841	A	11/2000	Workman	
6,359,203	B1	3/2002	Cronos	
6,389,605	B2	5/2002	Srivastava	
D461,051	S *	8/2002	Cheng	D3/276
6,449,815	B1	9/2002	Spiller	
6,536,568	B1 *	3/2003	Tong	190/101
6,666,363	B2	12/2003	Godshaw et al.	
6,757,944	B2	7/2004	Buscart	
6,772,485	B2	8/2004	Alpert	
7,340,804	B2	3/2008	Saderholm et al.	

**OTHER PUBLICATIONS**

www.swissarmy.com/travelgear, 22" Deluxe Expandable Wheeled Travel Bag, No. WT-22, Style No. 30300103, 2 pages, Dec. 4, 2008.

(Continued)

*Primary Examiner*—Holly H Baynham  
*Assistant Examiner*—Sheryl Lane  
(74) *Attorney, Agent, or Firm*—Fitch, Even, Tabin & Flannery

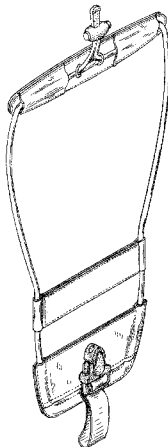
(57) **CLAIM**

The ornamental design for a combined buckle and elastic luggage strap, as shown and described

**DESCRIPTION**

FIG. 1 is an isometric view of the combined buckle and elastic luggage strap of the invention;  
FIG. 2 is a front plan view of the combined buckle and elastic luggage strap of FIG. 1;  
FIG. 3 is a backside plan view of the combined buckle and elastic luggage strap of FIG. 1;  
FIG. 4 is a right side view of the combined and elastic luggage strap of FIG. 1;  
FIG. 5 is a left side view of the combined buckle and elastic luggage strap of FIG. 1;  
FIG. 6 is a top view of the combined buckle and elastic luggage strap of FIG. 1;  
FIG. 7 is a bottom view of the combined buckle and elastic luggage strap of FIG. 1; and,  
FIG. 8 is an environmental view of the combined buckle and elastic luggage strap of FIG. 1 attached to a wheeled luggage case with a valise supported thereon depicted in phantom.

**1 Claim, 7 Drawing Sheets**



# US D613,509 S

Page 2

---

## U.S. PATENT DOCUMENTS

7,343,648 B2 3/2008 Shaw  
2003/0160078 A1\* 8/2003 Godshaw et al. .... 224/607  
2006/0102672 A1\* 5/2006 Godshaw ..... 224/572  
2007/0084893 A1 4/2007 Godshaw et al.  
2008/0042460 A1 2/2008 Fuchs

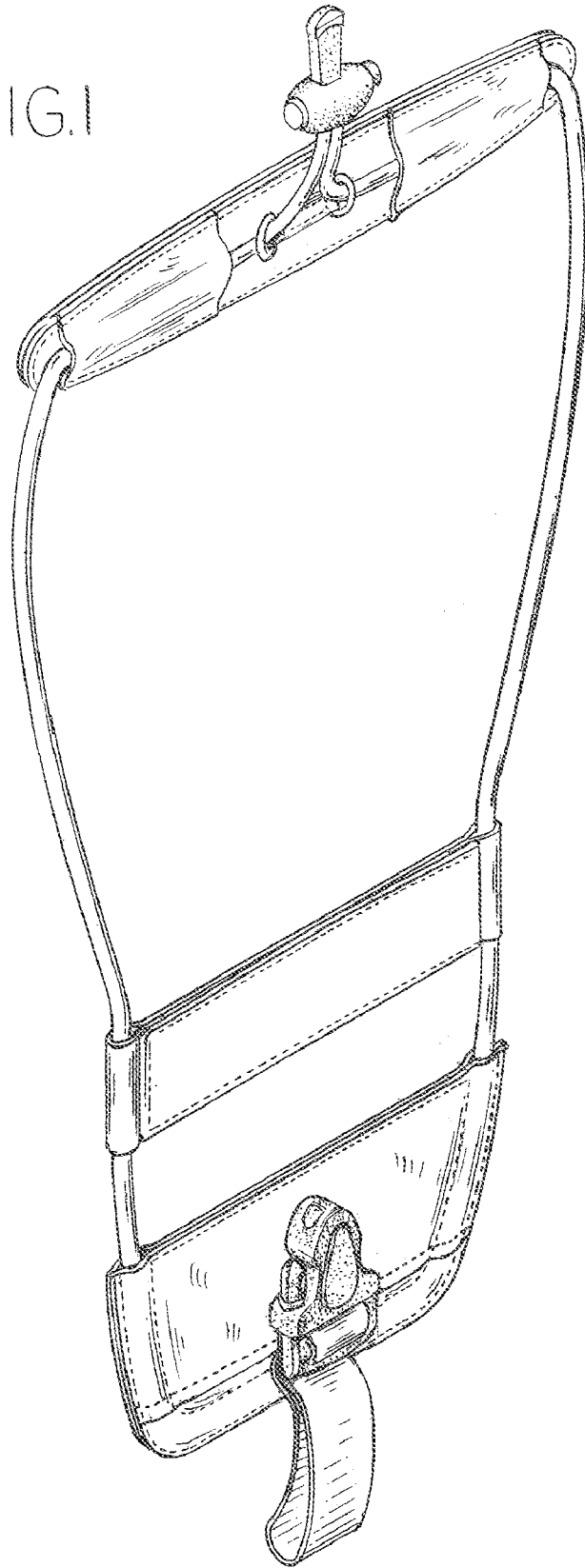
## OTHER PUBLICATIONS

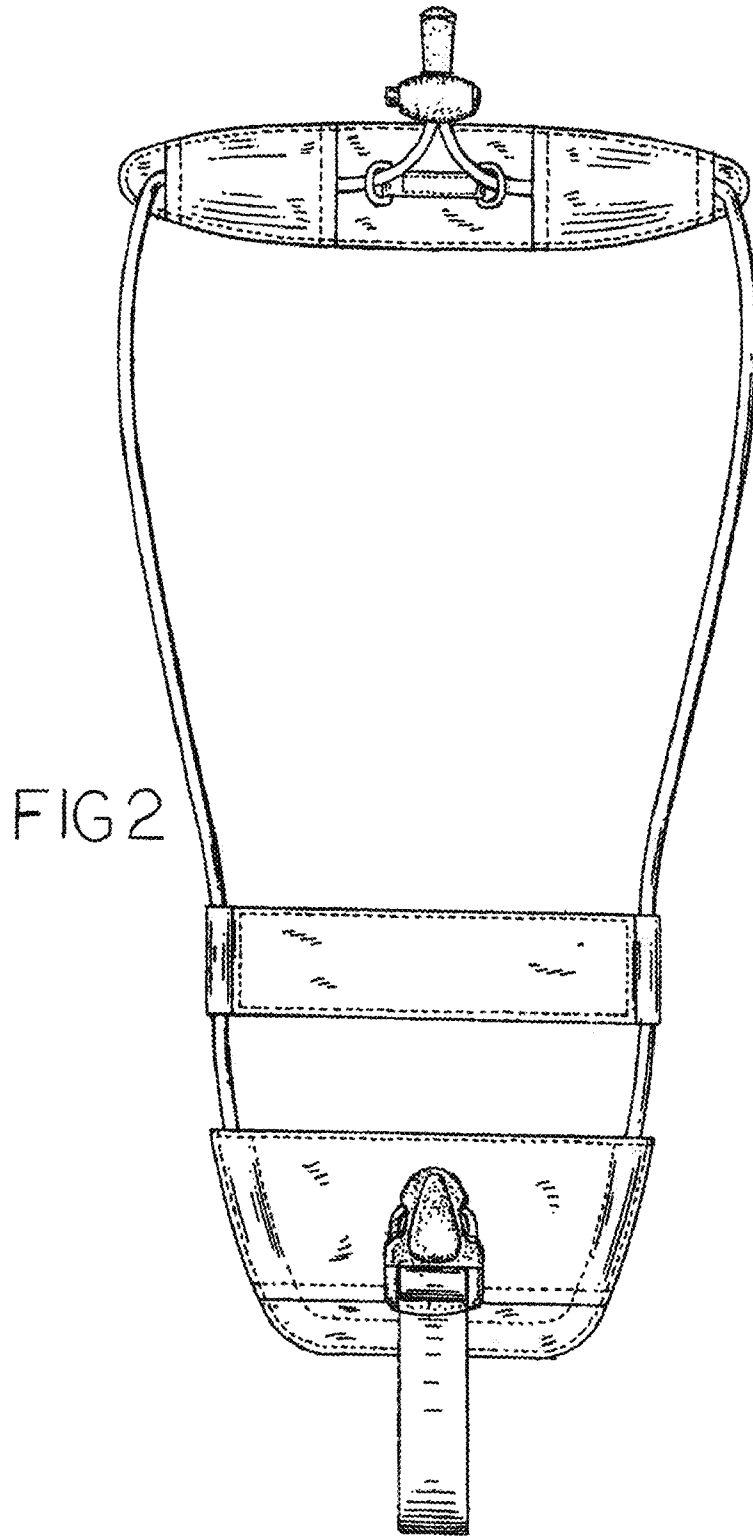
www.lugbuddy.com, LugBuddy, Blue Sky Products, LLC, 2 pages  
Dec. 4, 2008.

Piggy Back Suspender Strap, The Ballistic Travel Bag Collection, 2  
pages.

\* cited by examiner

FIG. 1





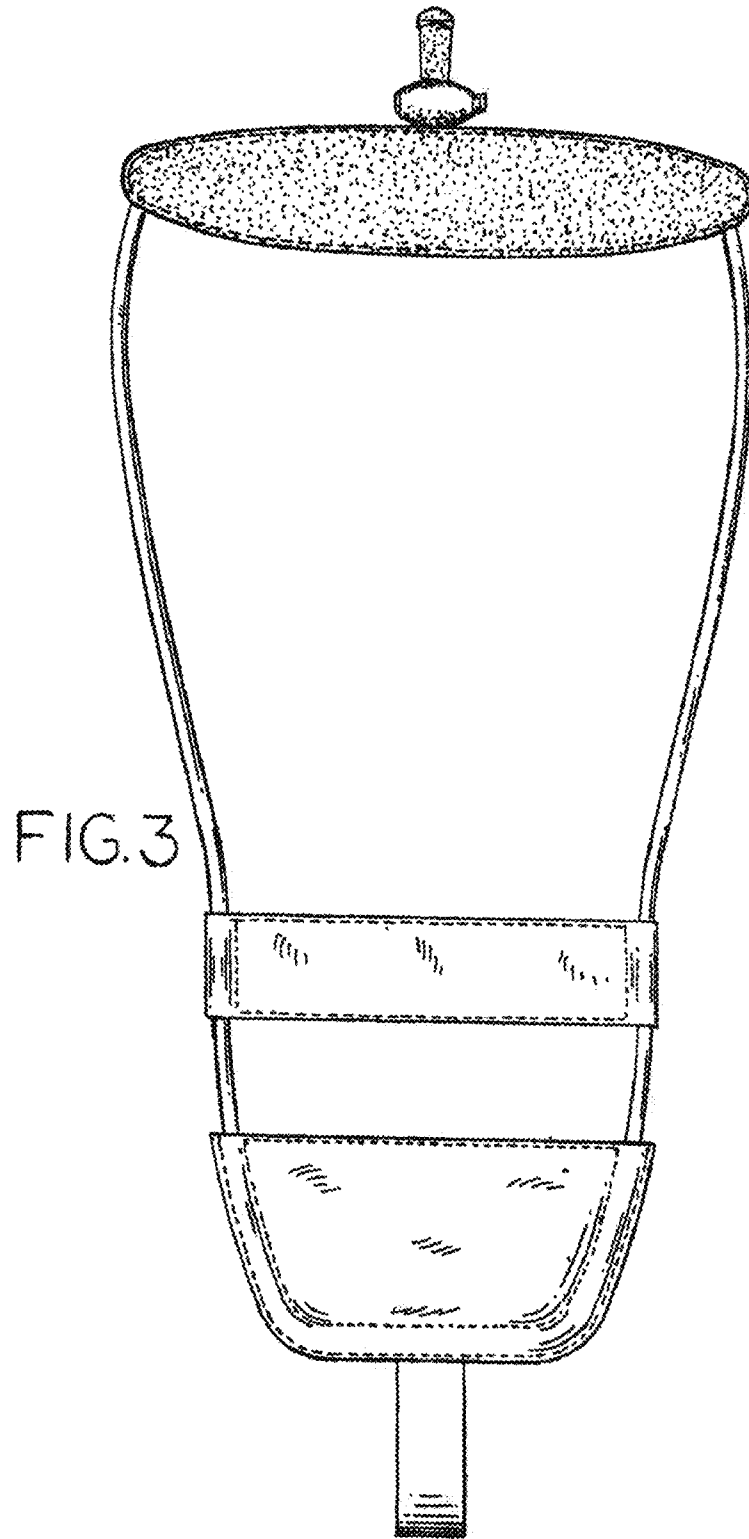




FIG. 4



FIG.5



FIG. 6



FIG. 7

FIG. 8

