



US0D1024473S

(12) **United States Design Patent**
Wood et al.

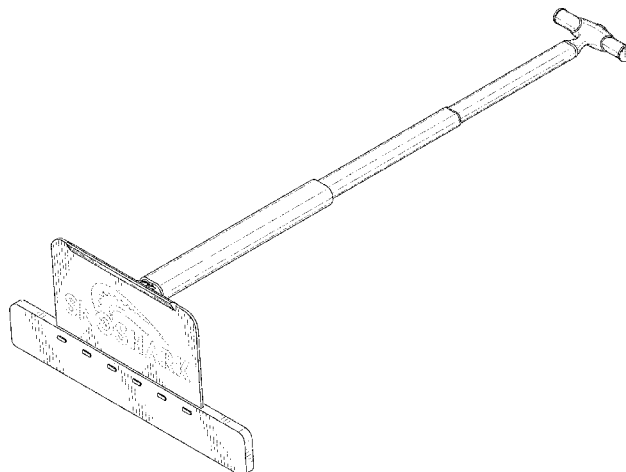
(10) **Patent No.:** **US D1,024,473 S**
(45) **Date of Patent:** **** Apr. 23, 2024**

- (54) **SNOW PADDLE**
- (71) Applicants: **Stephen Patrick Wood**, Reno, NV
(US); **Lorraine Lee Wood**, Reno, NV
(US)
- (72) Inventors: **Stephen Patrick Wood**, Reno, NV
(US); **Lorraine Lee Wood**, Reno, NV
(US)
- (**) Term: **15 Years**
- (21) Appl. No.: **29/830,206**
- (22) Filed: **Mar. 10, 2022**
- (51) **LOC (14) Cl.** **07-05**
- (52) **U.S. Cl.**
USPC **D32/46**
- (58) **Field of Classification Search**
USPC D32/40-42, 46; D8/70, 47
CPC A47L 17/00; A47L 17/08; A47L 13/06;
A47L 13/022; A47L 13/02; B08B 1/005;
B60S 3/045; E02F 3/8152
See application file for complete search history.

4,264,095	A	4/1981	Lemasters	
4,550,943	A *	11/1985	Mirto	E01H 5/02 294/50.8
4,559,726	A	12/1985	Moisan	
4,565,398	A	1/1986	Poulin	
D291,611	S	8/1987	Toth	
4,848,819	A	7/1989	Moorefield	
4,865,372	A	9/1989	Gabriel	
4,865,373	A	9/1989	Hudson	
D305,468	S	1/1990	Yonkers	
4,905,372	A	3/1990	Willis	
4,908,900	A	3/1990	McLaughlin et al.	
4,947,562	A	8/1990	Williamson	
4,996,834	A	3/1991	Geist	
D315,975	S *	4/1991	Huang	D4/118
5,048,883	A	9/1991	Waluk	
5,109,930	A	5/1992	Napier	
D338,090	S *	8/1993	Kamiyama	D32/45
5,346,269	A	9/1994	Price	
5,522,629	A	6/1996	Loo	
5,528,793	A *	6/1996	Schbot	A47L 13/12 15/245.1
5,593,198	A	1/1997	Vogel, II	
5,630,633	A	5/1997	Dupre et al.	
5,704,127	A	1/1998	Cordio	
5,791,707	A	8/1998	Szakurski	
D397,591	S	9/1998	Susini, III	
5,810,408	A	9/1998	Armstrong	
5,829,808	A	11/1998	Colla	
5,845,949	A	12/1998	Vosbikian	
6,018,894	A	2/2000	Whitehead et al.	
D431,101	S	9/2000	Gracy	
6,158,791	A	12/2000	Drew	
6,189,222	B1	2/2001	Doyle	
6,526,619	B1	3/2003	Cassels, Jr.	
6,925,676	B2	8/2005	Heavner et al.	
D511,032	S	10/2005	Roberts	
6,990,705	B1	1/2006	Schouten et al.	
D515,758	S *	2/2006	Turchi	D32/45
D539,496	S	3/2007	Sickler et al.	
D544,160	S	6/2007	Thomas	
7,296,368	B1	11/2007	Rigo	
7,343,637	B2	3/2008	Lafleur	
D593,267	S	5/2009	Terao	
7,571,945	B2	8/2009	Walker et al.	
D611,653	S	3/2010	Marut	
D620,658	S	7/2010	Johnson	
7,762,597	B2	7/2010	Marlin	
D640,432	S *	6/2011	Jackson	D32/42
8,100,447	B2	1/2012	Dewinter	
8,256,809	B2	9/2012	Coutu	
8,347,528	B1	1/2013	Seltzer	
8,375,500	B1	2/2013	Aguirre	

(56) **References Cited**
U.S. PATENT DOCUMENTS

84,797	A	12/1868	Connolly	
1,066,562	A	7/1913	Wilkins	
1,191,810	A	7/1916	Miller	
1,202,791	A	10/1916	Brownstein	
1,572,824	A	2/1926	Tatge	
1,693,472	A	11/1928	Batty	
2,098,609	A	11/1937	Bishop	
2,239,297	A	4/1941	Allen et al.	
2,463,150	A	3/1949	Camp	
D162,897	S	4/1951	Still	
2,704,036	A	3/1955	Briggs	
2,919,153	A	12/1959	Benton	
3,465,457	A	9/1969	Stone	
3,473,838	A	10/1969	Rankin	
3,583,747	A	6/1971	Lambert	
3,773,375	A	11/1973	Nehls	
4,094,543	A	6/1978	Fratini	
4,240,176	A *	12/1980	Farmer	A47L 1/06 15/244.1



8,464,387	B1	6/2013	Cohen	
D703,406	S *	4/2014	Meyer	D32/41
8,800,175	B1	8/2014	Faraci et al.	
D714,006	S	9/2014	Sanchez	
D724,286	S	3/2015	Colangelo	
8,973,201	B1	3/2015	De et al.	
9,049,918	B2	6/2015	Perelli et al.	
9,109,336	B1 *	8/2015	Firth	E01H 5/02
9,113,767	B1 *	8/2015	Hensel	A47L 1/06
9,119,337	B2	9/2015	Fрати et al.	
9,145,112	B1	9/2015	Ihde	
9,320,347	B1	4/2016	Skarzynski	
9,345,314	B2	5/2016	Henningsen	
9,427,862	B1	8/2016	Durfee, Jr.	
9,587,359	B1	3/2017	Yu	
D782,889	S	4/2017	Vera Andrades	
D804,123	S *	11/2017	Orsino	D32/51
9,913,565	B2	3/2018	Smith et al.	
9,925,961	B2	3/2018	Cohen	
D824,128	S	7/2018	O'Shea	
D853,672	S	7/2019	Beyda et al.	
D866,896	S	11/2019	Gee et al.	
10,640,093	B2 *	5/2020	Wood	B25G 1/102
D901,118	S	11/2020	Wood et al.	
D1,001,405	S *	10/2023	Li	D32/35
11,827,190	B2 *	11/2023	Wood	A47L 13/08
2003/0146632	A1	8/2003	Marion et al.	
2004/0025278	A1 *	2/2004	Sander	A47L 13/11 15/245
2004/0177461	A1	9/2004	Ajluni	
2004/0250365	A1	12/2004	Anderson et al.	
2004/0250367	A1	12/2004	Fraser	
2011/0258889	A1	10/2011	Settembre et al.	
2013/0139414	A1	6/2013	Hogenson	
2013/0168983	A1	7/2013	Swanger	
2013/0180544	A1 *	7/2013	Nelson	B60S 1/3801 15/250.04
2014/0007364	A1	1/2014	Cohen	
2014/0245557	A1	9/2014	Cohen	
2014/0366291	A1	12/2014	Blocker	
2016/0095492	A1	4/2016	Smith et al.	
2016/0222613	A1	8/2016	Stoddart	
2017/0113660	A1	4/2017	Cohen	
2017/0240143	A1	8/2017	Vaeth	
2019/0315318	A1	10/2019	Wake	
2019/0375380	A1	12/2019	Wood et al.	
2023/0180925	A1 *	6/2023	Fornari	A46B 15/0055 15/105

FOREIGN PATENT DOCUMENTS

CA	27044	A	3/1965
CA	2025550	A1	3/1991
CA	2531947	A1	7/2007
FR	2861950	A1	5/2005
JP	D1497125	S	5/2014
NZ	419922-0001	*	8/2014

OTHER PUBLICATIONS

Snow JOe snow broom, Snowjoe website 2023, site visited Dec. 6, 2023, <https://snowjoe.com/products/snow-joe-pro-led-lighted-4-in-1-snow-broom-ice-scraper>.*
 Sno Shark website reviews Feb. 13, 2019, Tineye image results Jul. 14, 2019, site visited Dec. 6, 2023, <https://snoshark.com/products/snoshark-std-1-pack-without-bag>.*
 International Search Report and Written Opinion of The International Searching Authority for International Application PCT/US23/15023, dated Aug. 23, 2023.
 Northern Tool + Equipment; Manplow Ultimate Telescoping Snow Car Tool.

Northern Tool + Equipment; The Snowplow Snow Pusher. Snoshark website date Aug. 26, 2018, Wayback machine, visited May 15, 2019.
 SnoShark Kickstarter Story video <https://www.youtube.com/watch?v=MrWIMAre-bQ>.
 Youtube Snoshark channel, videos 2018, <https://www.youtube.com/channel/UC4BdLf31w85YFDu7RHpOw>, site visited May 15, 2019.
 Youtube, Paddle and Scraper on a Snow Blower, video Jun. 27, 2011, site visited May 15, 2019, <https://www.youtube.com/watch?v=aZQOrcfjMtO>.

* cited by examiner

Primary Examiner — John R Yeh
 (74) Attorney, Agent, or Firm — Holland & Hart LLP

(57) CLAIM

The ornamental design for a snow paddle, as shown and described.

DESCRIPTION

FIG. 1 is a perspective view of the snow paddle showing our new design in its fully extended position;
 FIG. 2 is a top plan view of the snow paddle shown in FIG. 1;
 FIG. 3 is a bottom plan view of the snow paddle shown in FIG. 1;
 FIG. 4 is a right side elevational view of the snow paddle shown in FIG. 1;
 FIG. 5 is a left side elevational view of the snow paddle shown in FIG. 1;
 FIG. 6 is a front side elevational view of the snow paddle shown in FIG. 1;
 FIG. 7 is a back side elevational view of the snow paddle shown in FIG. 1;
 FIG. 8 is a perspective view of the snow paddle showing our new design in its fully collapsed position;
 FIG. 9 is a top plan view of the snow paddle shown in FIG. 8;
 FIG. 10 is a bottom plan view of the snow paddle shown in FIG. 8;
 FIG. 11 is a right side elevational view of the snow paddle shown in FIG. 8;
 FIG. 12 is a left side elevational view of the snow paddle shown in FIG. 8;
 FIG. 13 is a front side elevational view of the snow paddle shown in FIG. 8; and,
 FIG. 14 is a back side elevational view of the snow paddle shown in FIG. 8.
 The broken lines in the Figures are directed to features that form no part of the claim.
 A portion of the disclosure of this patent document contains material which is subject to copyright protection. This patent document may show and/or describe matter which is or may become trade dress of the owner. The copyright and trade dress owner has no objection to the facsimile reproduction by anyone of the patent disclosure as it appears in the Patent and Trademark Office patent files or records, but otherwise reserves all copyright and trade dress rights whatsoever.

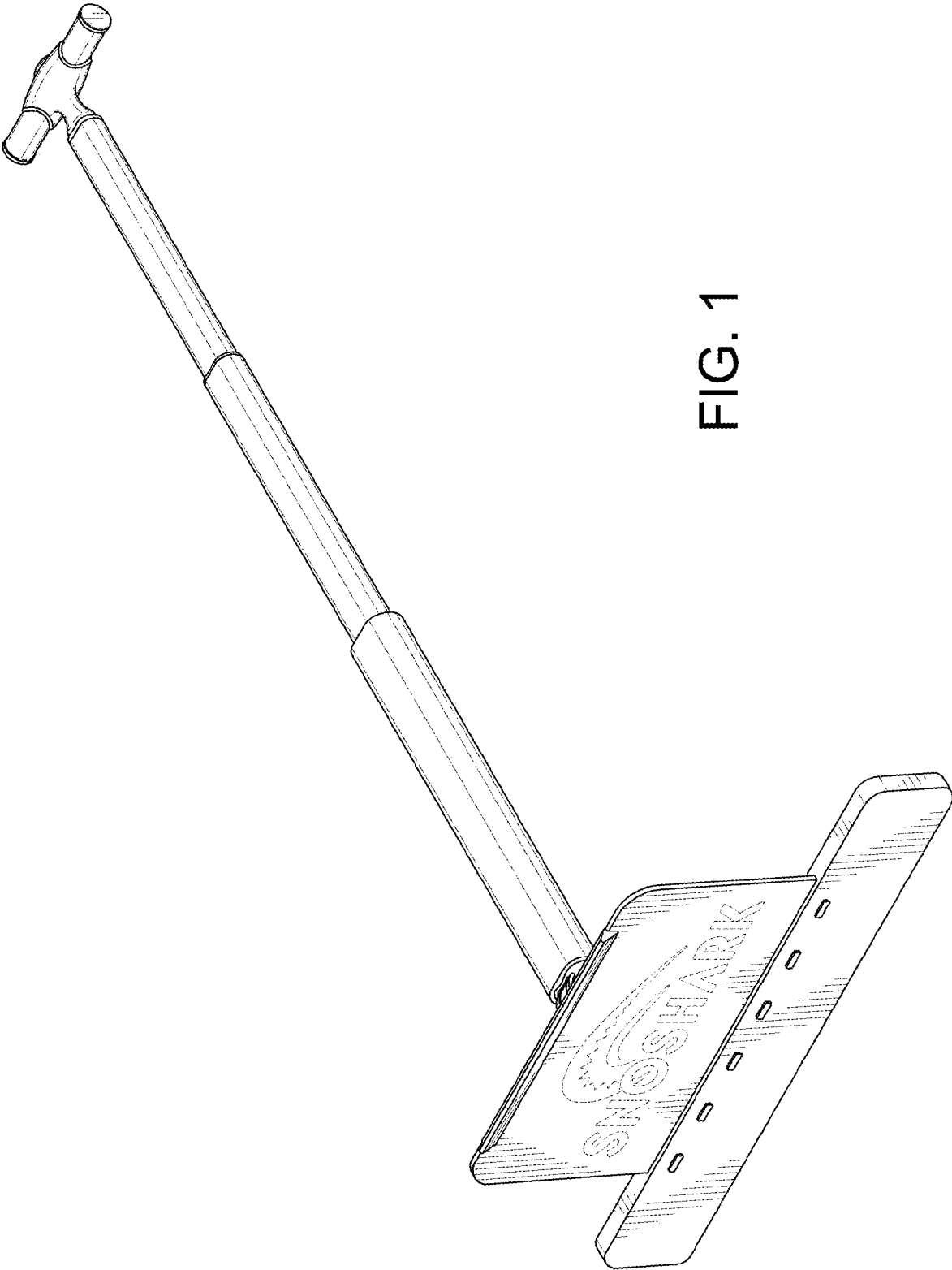


FIG. 1

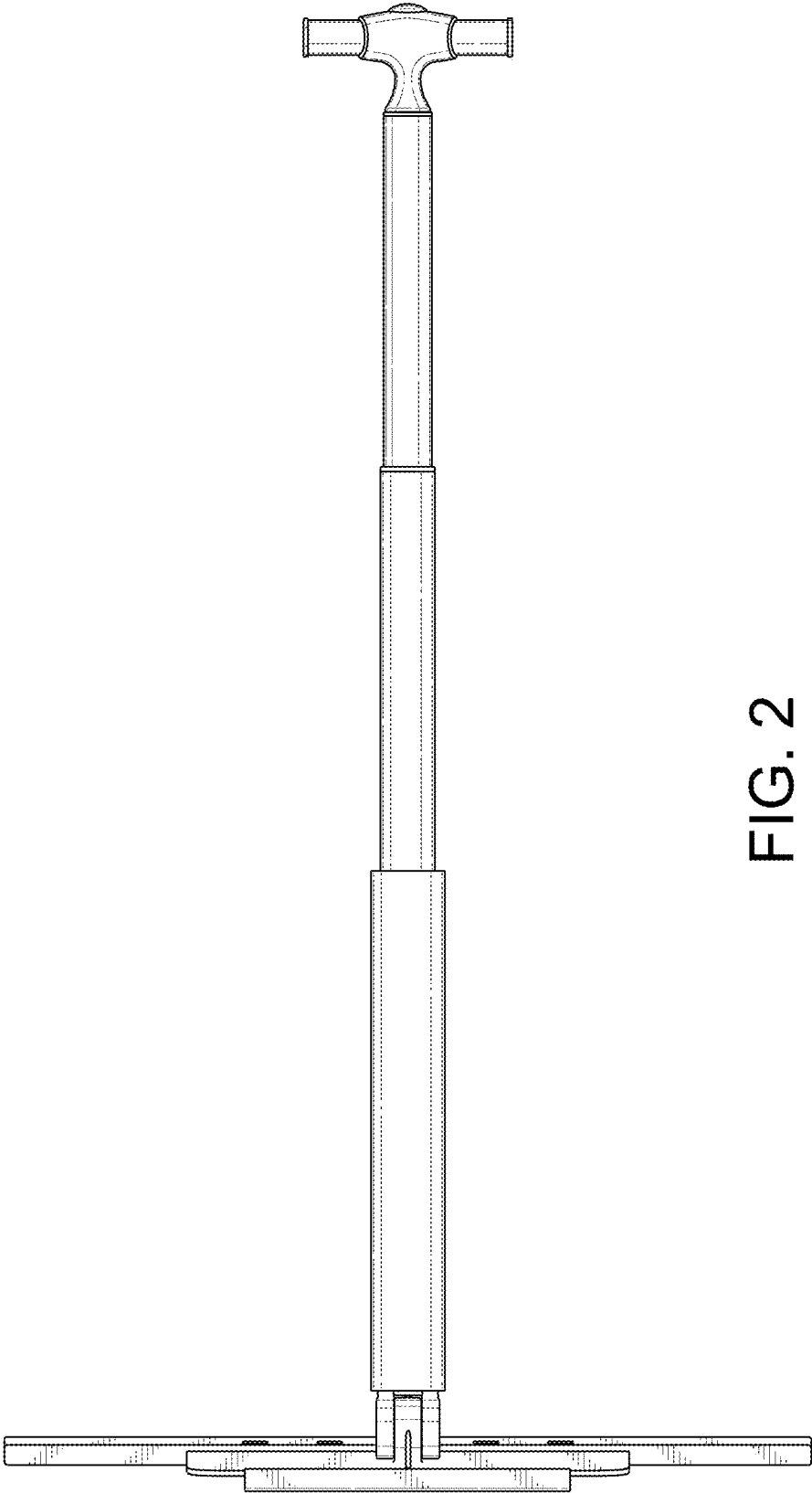


FIG. 2

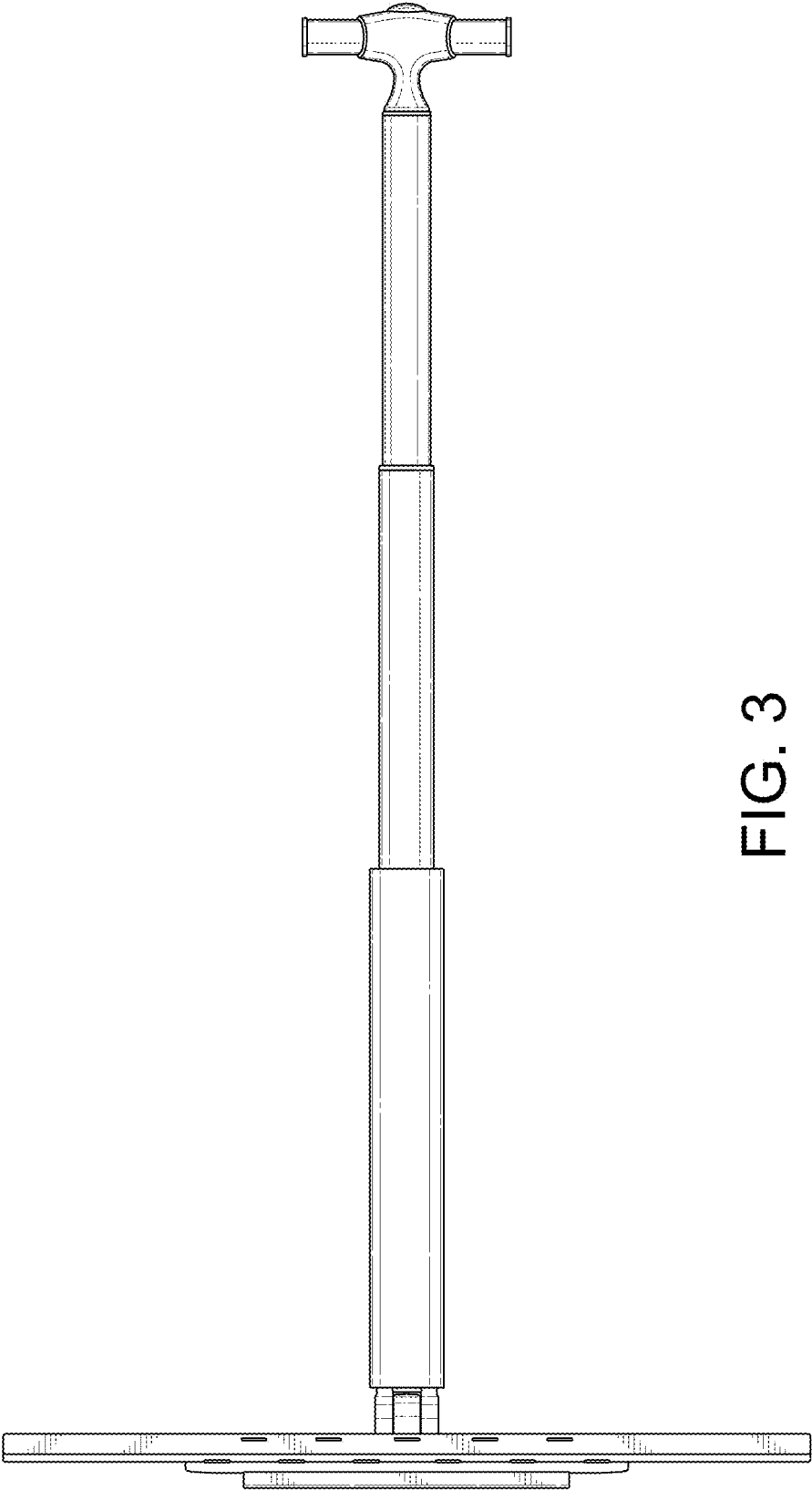


FIG. 3

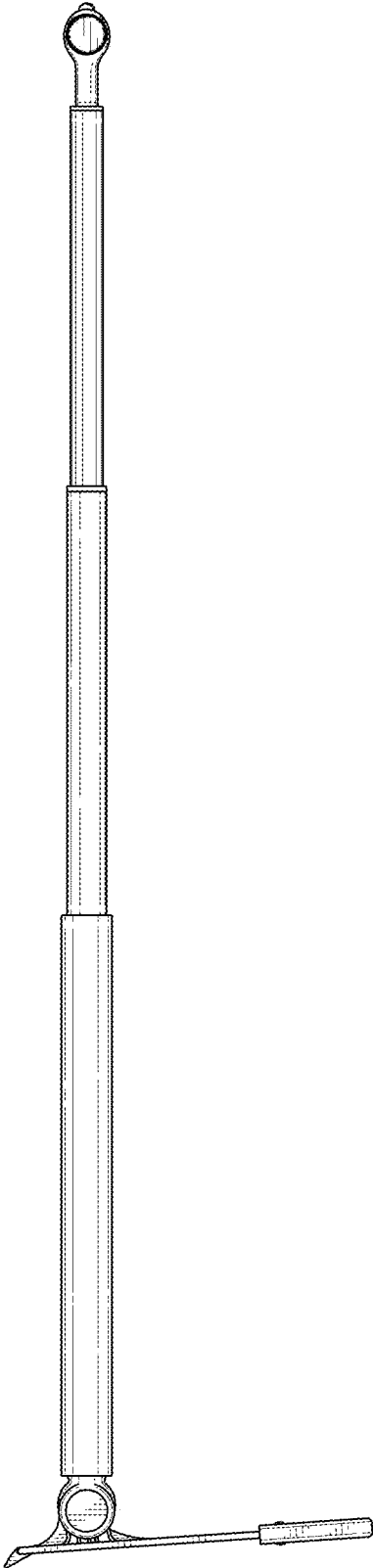


FIG. 4

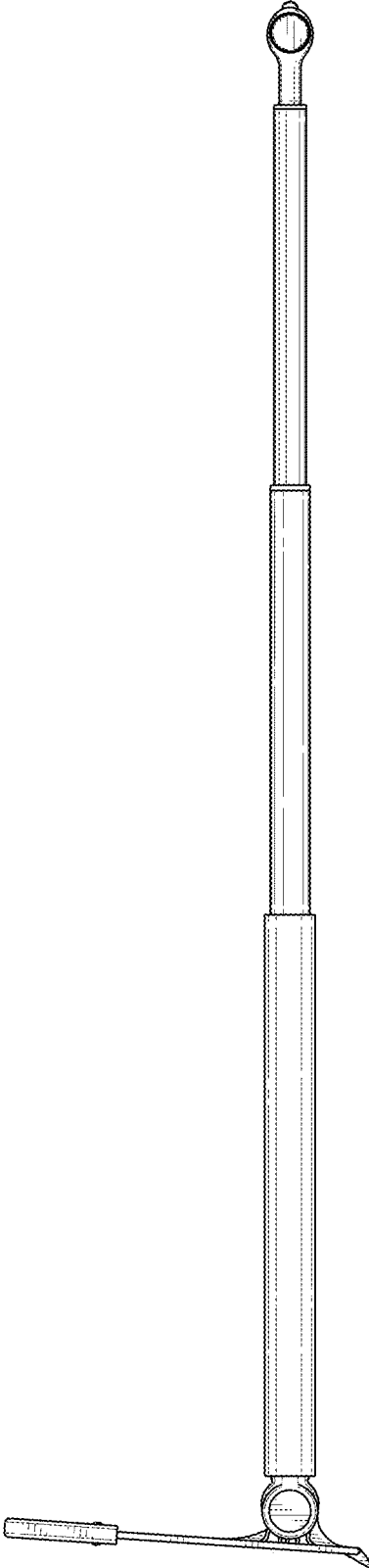


FIG. 5

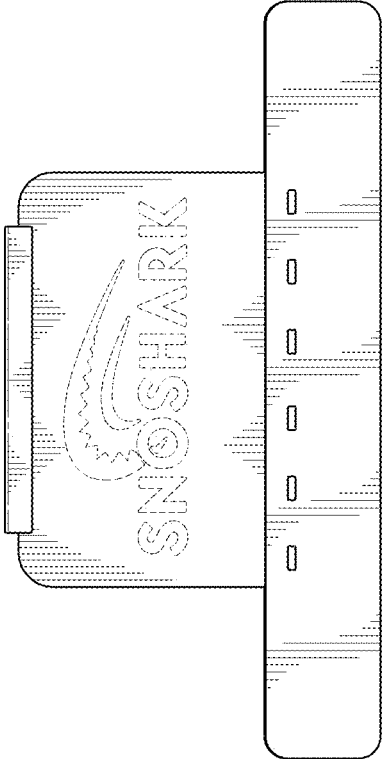


FIG. 6

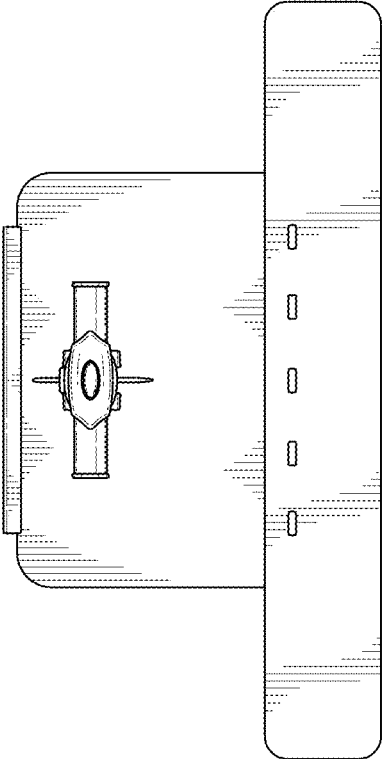


FIG. 7

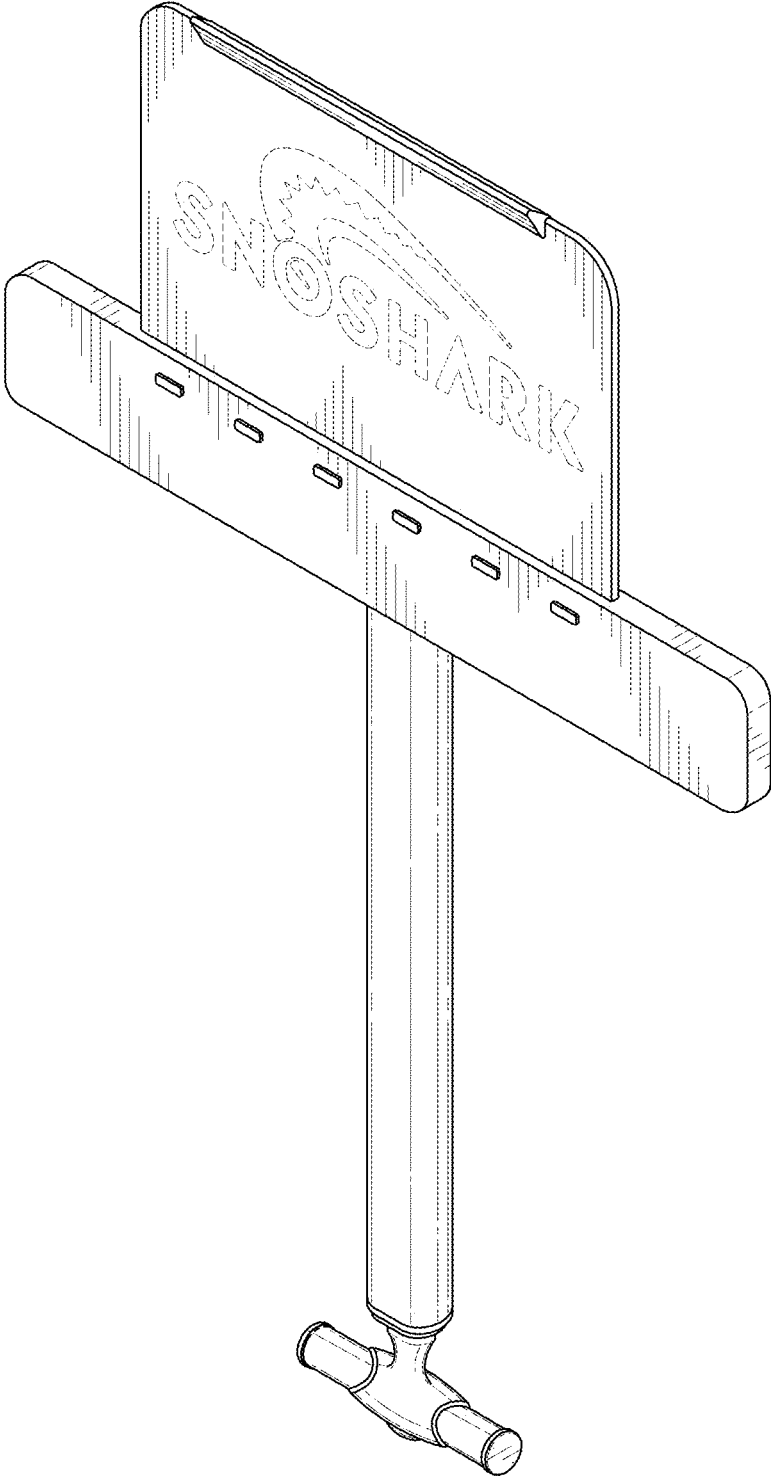


FIG. 8

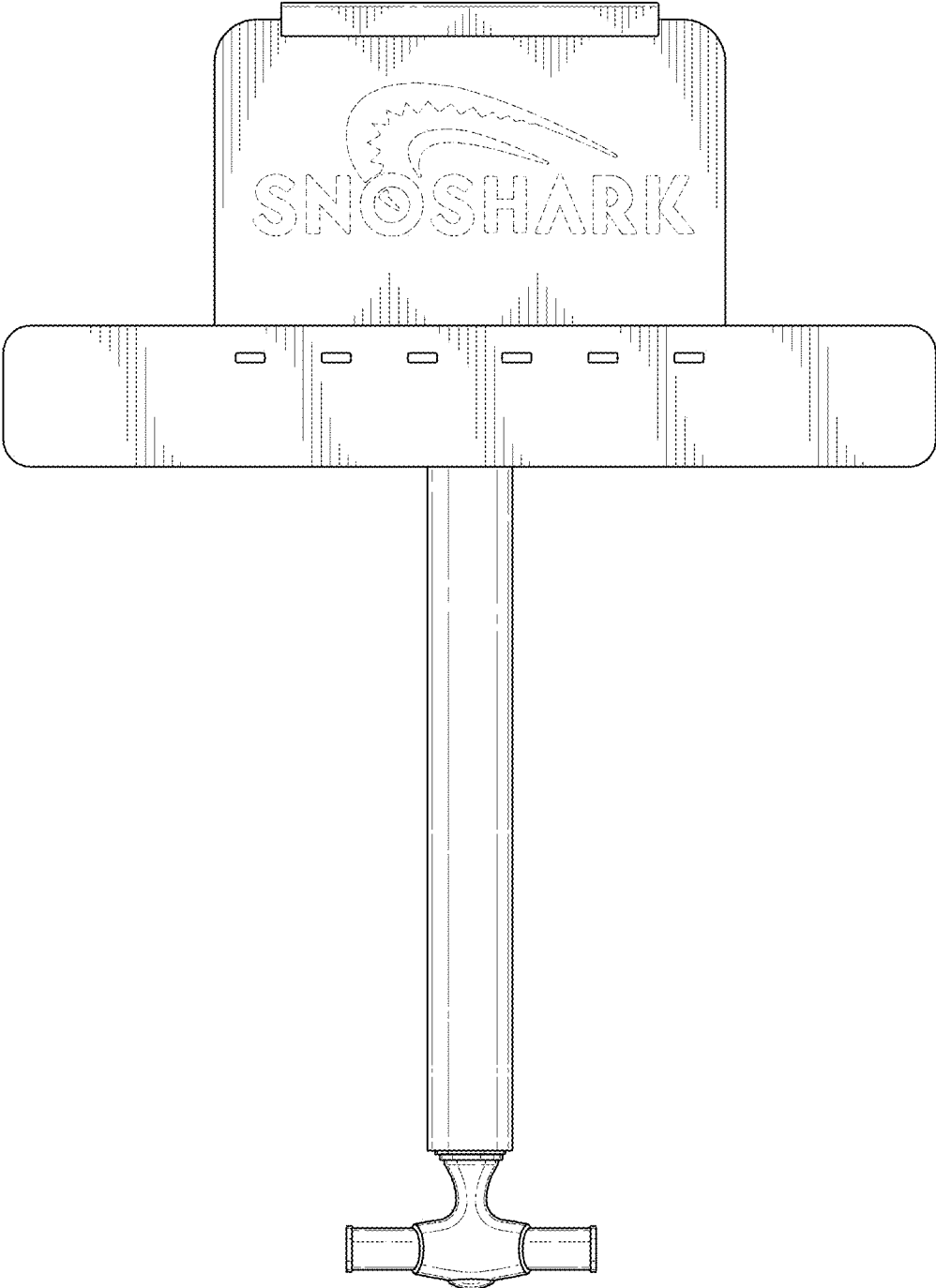


FIG. 9

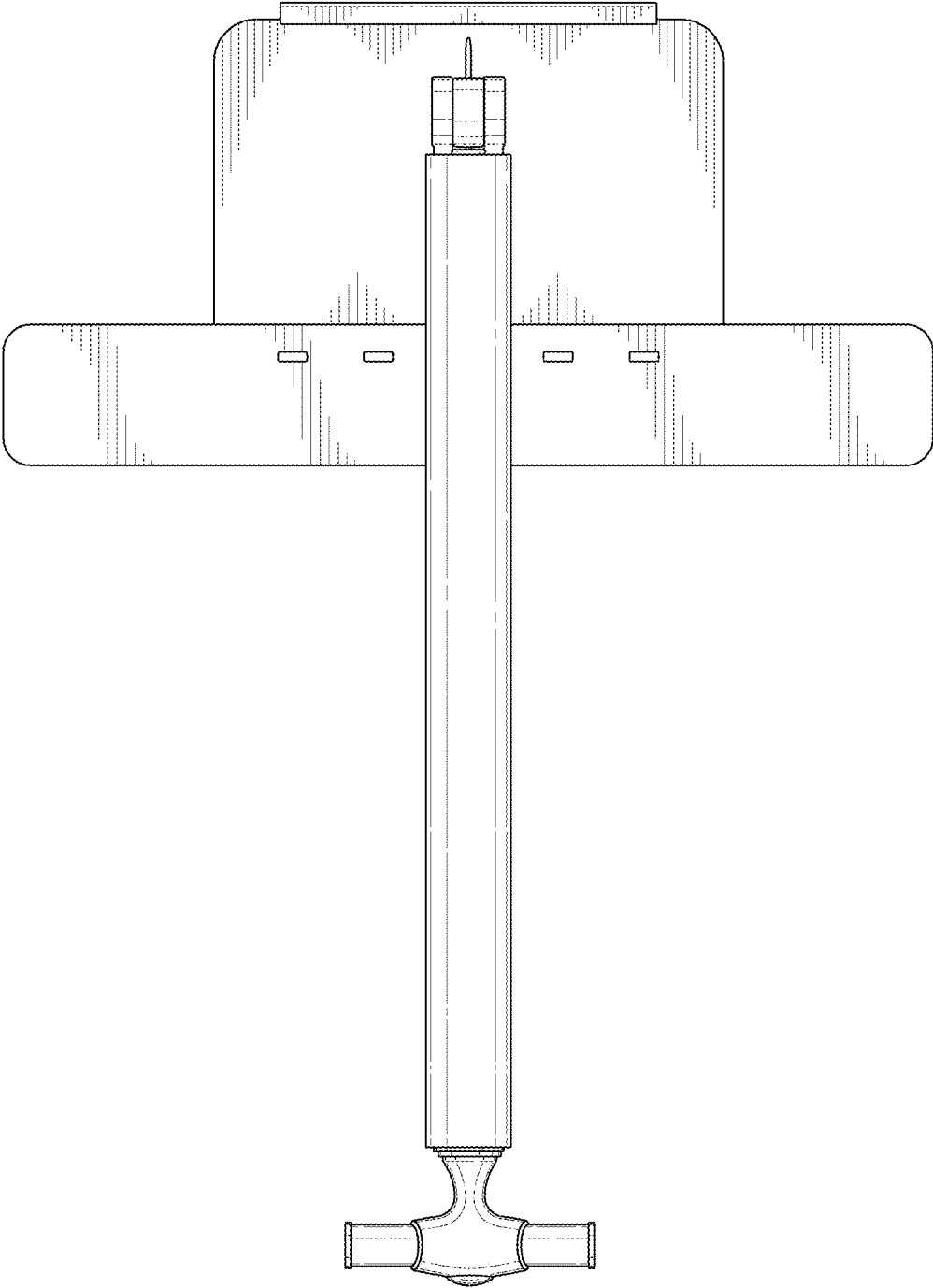


FIG. 10

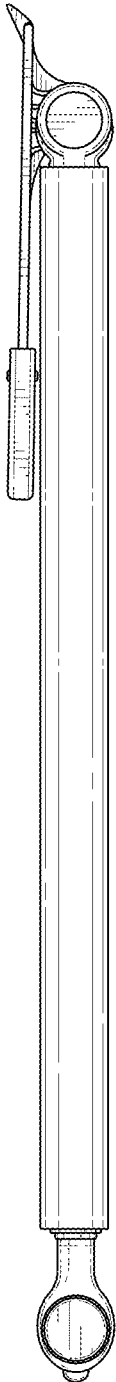


FIG. 11

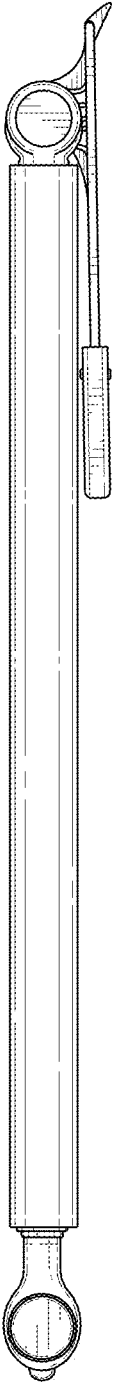


FIG. 12

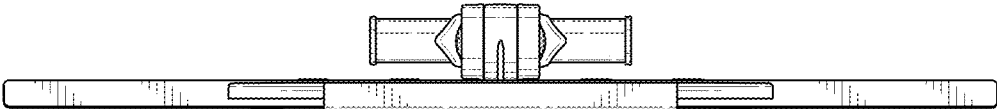


FIG. 13

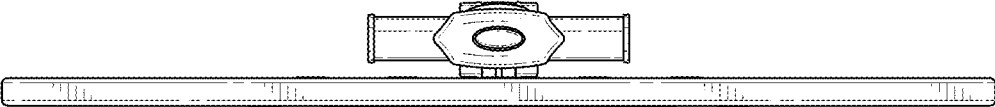


FIG. 14