



US00D754875S

(12) **United States Design Patent**
Baziuk

(10) **Patent No.:** **US D754,875 S**

(45) **Date of Patent:** **** Apr. 26, 2016**

(54) **CYLINDRICAL BARRIER FOR SHORING AN EXCAVATED HOLE**

(71) Applicant: **Morris Baziuk**, Winnipeg (CA)

(72) Inventor: **Morris Baziuk**, Winnipeg (CA)

(73) Assignee: **Baziuk Holding Ltd**, Wpg MB (CA)

(**) Term: **14 Years**

(21) Appl. No.: **29/496,821**

(22) Filed: **Jul. 17, 2014**

(51) **LOC (10) Cl.** **25-03**

(52) **U.S. Cl.**
USPC **D25/31**

(58) **Field of Classification Search**
USPC D6/657, 661, 661.3, 672-674, 686;
D14/900, 902; D25/1, 2, 13, 15-20,
D25/22, 24, 25, 31-33
CPC A01G 9/14; A01M 31/025; E01F 5/005;
E04B 1/342; E04B 1/343; E04B 1/348;
E04H 1/02; E04H 1/06; E04H 1/12; E04H
1/1222; E04H 1/1244; E04H 1/1266; E04H
1/1272; E04H 1/14; E04H 3/16; E04H 4/00;
E04H 4/148; E02D 17/04

See application file for complete search history.

(56) **References Cited**

U.S. PATENT DOCUMENTS

116,592 A * 7/1871 Hill A01M 31/025
43/1
3,142,234 A * 7/1964 Maloon E03F 5/02
220/232
D210,716 S * 4/1968 Greitzer D25/2
3,644,942 A * 2/1972 Haight E04H 4/0018
4/506

3,710,579 A * 1/1973 Killmer E02D 19/04
405/11
4,242,013 A * 12/1980 Watts E02D 29/02
175/62
4,285,269 A * 8/1981 Pelsue E03F 5/08
454/338
5,046,886 A * 9/1991 Muir E01F 13/02
404/25
D388,880 S * 1/1998 DeFilippo D25/2
8,813,434 B2 * 8/2014 Koppelman E04H 1/1222
312/138.1
2007/0295421 A1 * 12/2007 Bartels E02D 17/04
138/89
2014/0033620 A1 * 2/2014 Uetabira E04H 1/14
52/79.1

* cited by examiner

Primary Examiner — Eric Goodman

Assistant Examiner — Clare Ann Gannon

(74) *Attorney, Agent, or Firm* — Adrian D. Battison; Ade & Company Inc.

(57) **CLAIM**

The ornamental design for a cylindrical barrier for shoring an excavated hole, as shown and described.

DESCRIPTION

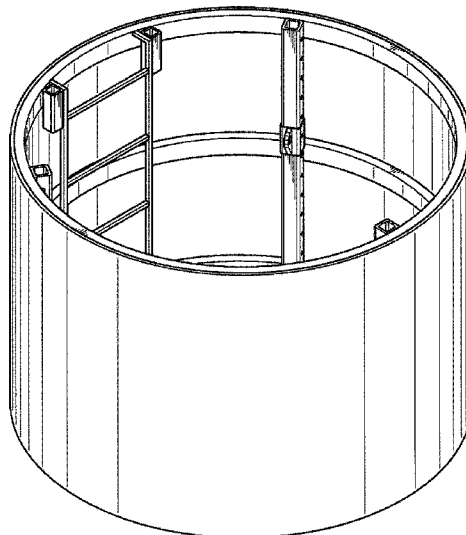
FIG. 1 is a top plan view of the cylindrical barrier for shoring an excavated hole showing the design.

FIG. 2 is a cross-sectional view along line 2-2 in FIG. 1 of the cylindrical barrier for shoring an excavated hole showing the design.

FIG. 3 is a side elevational view of the cylindrical barrier for shoring an excavated hole showing the design; and,

FIG. 4 is an isometric view from the top and one side of the cylindrical barrier for shoring an excavated hole showing the design.

1 Claim, 3 Drawing Sheets



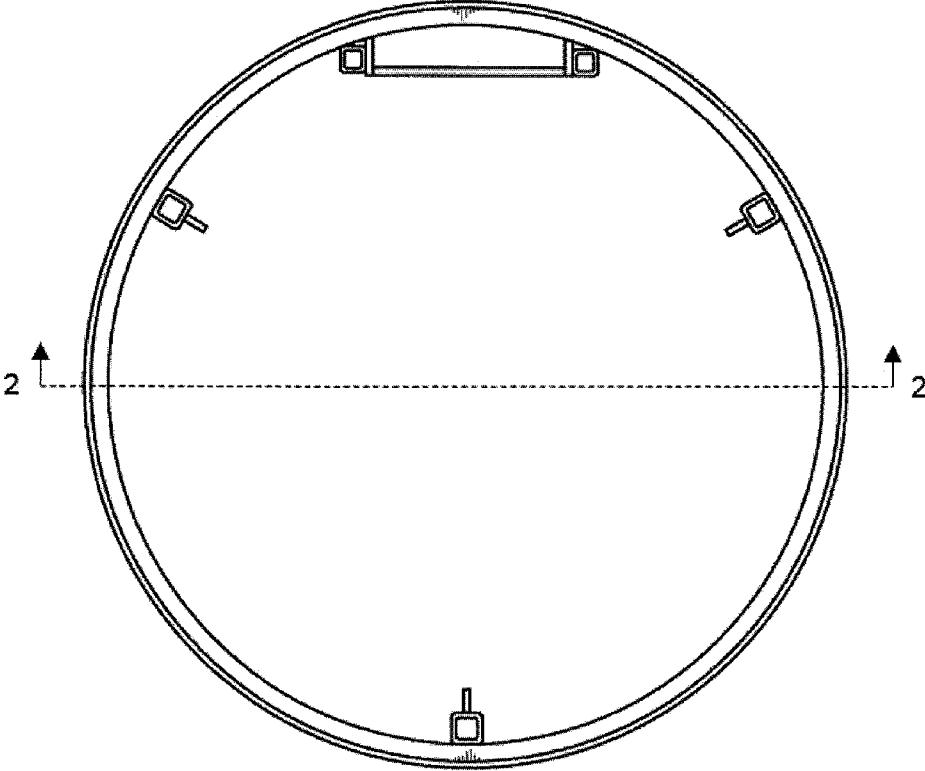


FIG. 1

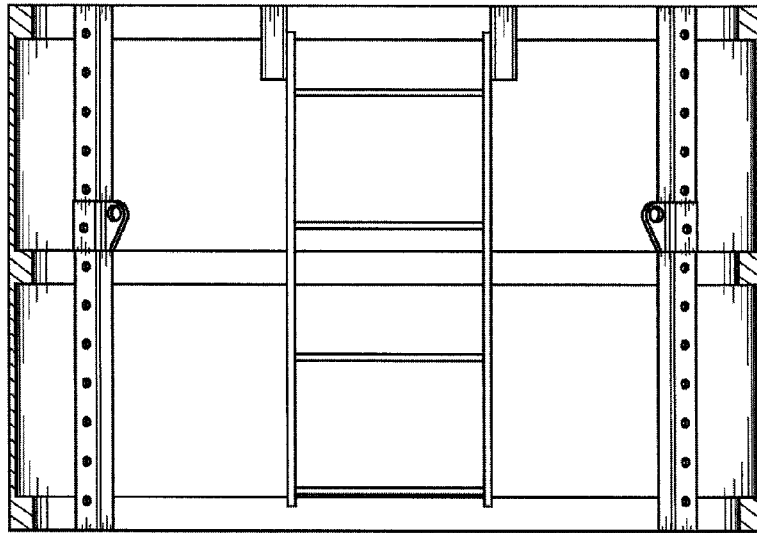


FIG. 2

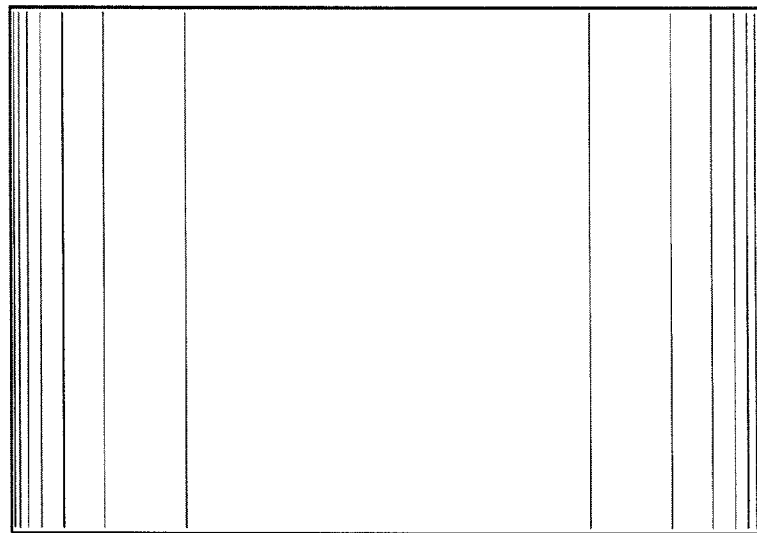


FIG. 3

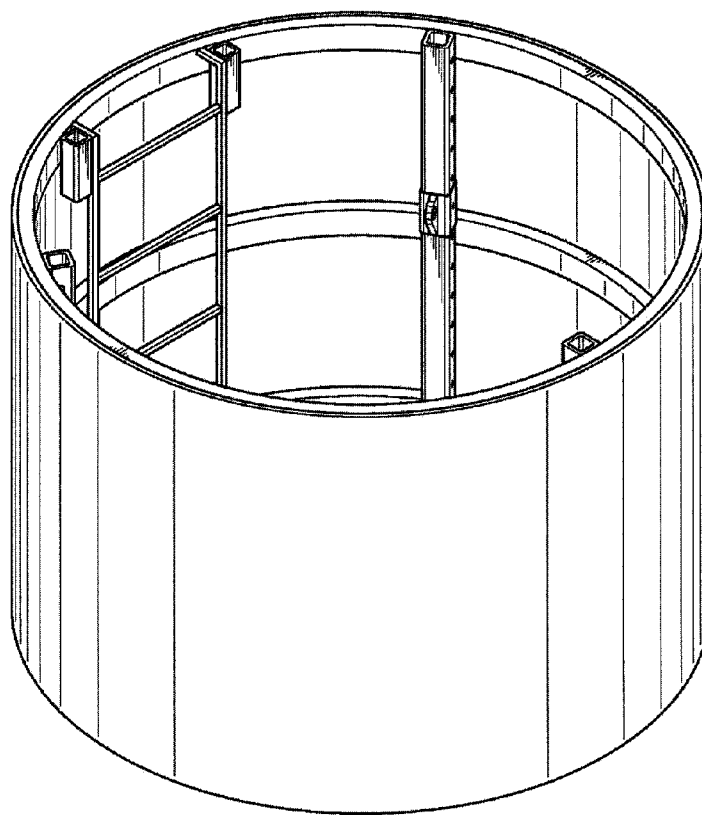


FIG. 4