



US00D756769S

(12) **United States Design Patent**
Tuchrelo et al.

(10) **Patent No.:** **US D756,769 S**

(45) **Date of Patent:** **** May 24, 2016**

(54) **CONTAINER TRAY**

B65D 85/34; B21D 51/18; B21D 51/2646;
A45C 11/16

(71) Applicant: **Carrier Commercial Refrigeration, Inc.**, Farmington, CT (US)

See application file for complete search history.

(72) Inventors: **Robert Richard Tuchrelo**, Williamson, NY (US); **Jeffrey Quint Cahoon**, Williamson, NY (US)

(56) **References Cited**

U.S. PATENT DOCUMENTS

(73) Assignee: **Carrier Commercial Refrigeration, Inc.**, Farmington, CT (US)

4,892,213	A *	1/1990	Mason, Jr.	A47G 19/02
				206/508
D312,968	S *	12/1990	Wolff	D7/602
D403,241	S *	12/1998	Nask	D9/435
6,170,696	B1 *	1/2001	Tucker	B65D 1/26
				206/508
D469,689	S *	2/2003	Buchalski	D9/425
D486,358	S *	2/2004	Dais	D7/629
D489,975	S *	5/2004	Jackson	D9/425
D496,272	S *	9/2004	Jackson	D7/602
7,017,775	B2 *	3/2006	Zettle	B65D 43/021
				206/508
D541,648	S *	5/2007	Bennett	D9/425

(**) Term: **14 Years**

(21) Appl. No.: **29/489,633**

(22) Filed: **May 1, 2014**

Related U.S. Application Data

(62) Division of application No. 29/394,200, filed on Jun. 14, 2011, now Pat. No. Des. 706,621.

(51) **LOC (10) CI.** **09-03**

(52) **U.S. CI.**
USPC **D9/425**

(58) **Field of Classification Search**

USPC D9/414, 415, 416, 419, 420, 421, 422, D9/423, 424, 425, 426, 427, 428, 429, 432, D9/454, 457, 652, 667, 721, 904; D7/619.1; 229/400, 401, 403, 404, 229/405, 406, 407, 779; 220/592.16, 220/656-659, 662, 665, 669-675, 220/4.21-4.27; 206/6.1, 214, 217, 431, 206/503, 514, 521.1, 528, 530, 557, 564, 206/775, 776, 779

CPC A47J 36/06; A47J 47/14; B65D 1/22; B65D 1/34; B65D 1/40; B65D 1/165; B65D 15/02; B65D 21/083; B65D 21/0233; B65D 21/0234; B65D 43/162; B65D 71/50; B65D 77/24; B65D 77/245; B65D 81/3869; B65D 2543/00046; B65D 2543/00083; B65D 2543/00092; B65D 2543/00296; B65D 3/06; B65D 3/28; B65D 5/4204; B65D 7/46;

(Continued)

Primary Examiner — Karen S Acker

Assistant Examiner — Wendy Arminio

(74) *Attorney, Agent, or Firm* — O'Shea Getz P.C.

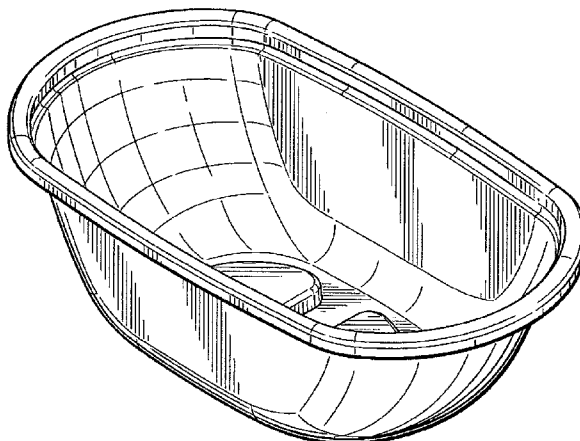
(57) **CLAIM**

The ornamental design for a container tray, as shown and described.

DESCRIPTION

FIG. 1 is a perspective view of a container tray of the present invention;
 FIG. 2 is a front view of the container tray shown in FIG. 1, the rear view being a mirror image thereof;
 FIG. 3 is a right side view of the container tray shown in FIG. 1, the left side view being a mirror image thereof;
 FIG. 4 is a top view thereof;
 FIG. 5 is a bottom view thereof; and,
 FIG. 6 is a cross-sectional view thereof taken along line 6-6 of FIG. 4.

1 Claim, 3 Drawing Sheets



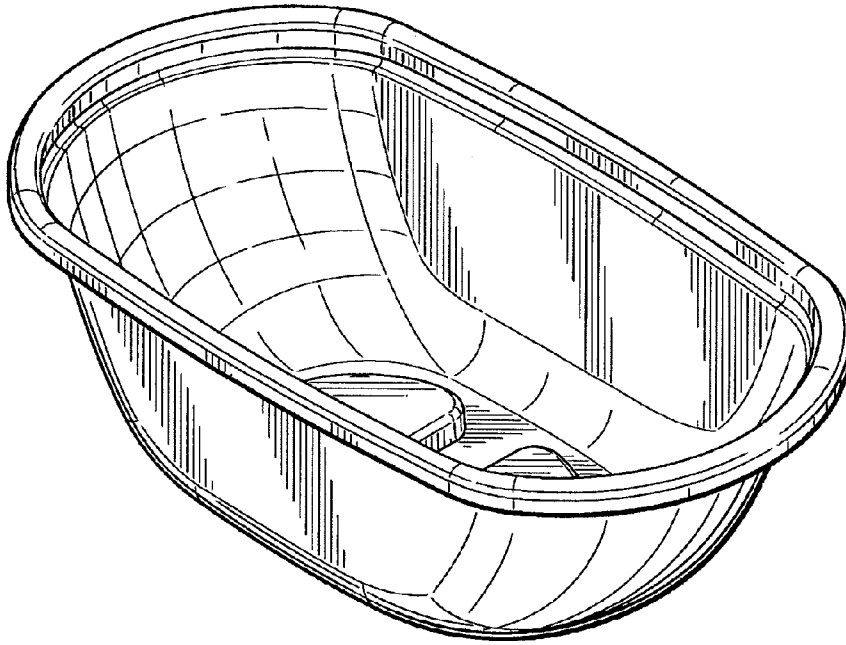


FIG. 1

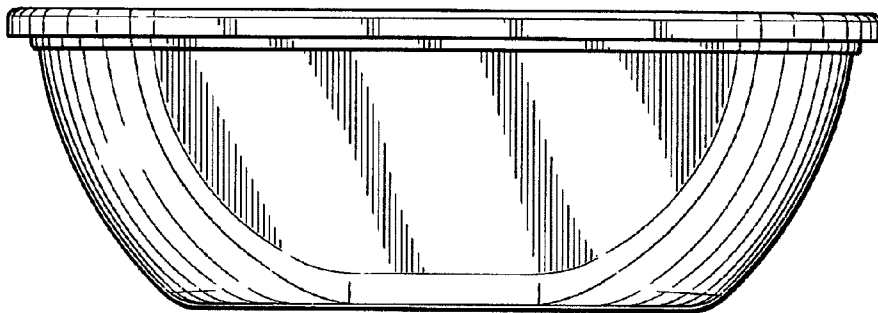


FIG. 2

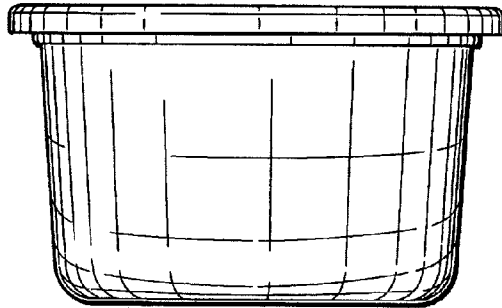


FIG. 3

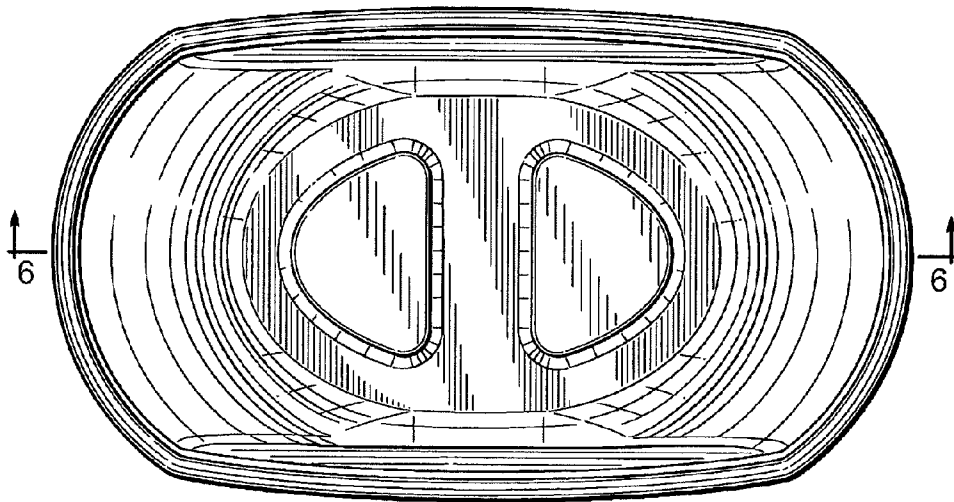


FIG. 4

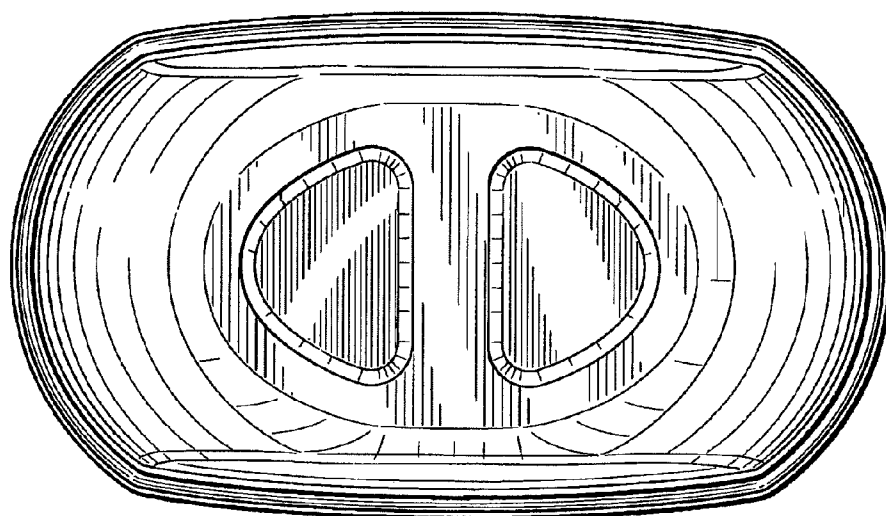


FIG. 5

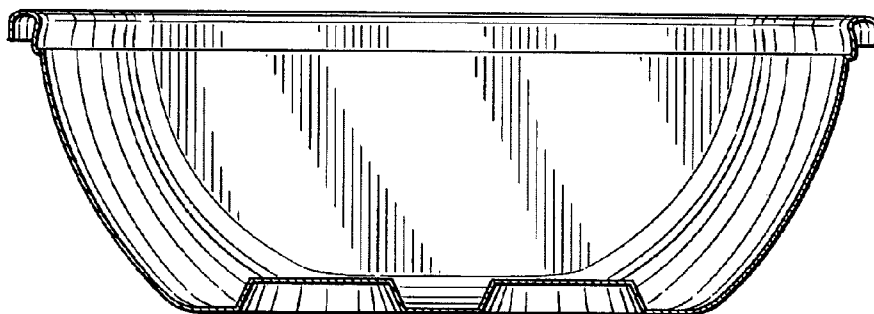


FIG. 6