



US00D814446S

(12) **United States Design Patent**  
**Sunwoo et al.**

(10) **Patent No.:** **US D814,446 S**

(45) **Date of Patent:** **\*\* Apr. 3, 2018**

(54) **MICROPHONE**

(71) Applicant: **Freedman Electronics Pty. Ltd.,**  
Silverwater (AU)

(72) Inventors: **Sun Kyung Sunwoo, Sydney (AU);**  
**Samuel Dean Trewartha, Silverwater**  
(AU)

(73) Assignee: **Freedman Electronics Pty. Ltd. (AU)**

(\*\*) Term: **15 Years**

(21) Appl. No.: **29/590,612**

(22) Filed: **Jan. 11, 2017**

(51) **LOC (11) Cl.** ..... **14-01**

(52) **U.S. Cl.**

USPC ..... **D14/227; D14/229**

(58) **Field of Classification Search**

USPC ..... D14/225-229, 224; D16/237; D17/10,  
D17/22, 99; 248/311.2, 313, 610;  
84/214, 421, 453; 403/391; 348/311.14,  
348/207.99; 52/687; 267/136; 455/344

See application file for complete search history.

(56) **References Cited**

**U.S. PATENT DOCUMENTS**

1,343,526	A *	6/1920	Smith	.....	A47F 7/04 123/74 AP
2,029,051	A	1/1936	Blevins		
2,191,782	A	2/1940	Oscar		
2,615,238	A *	10/1952	Highwood	.....	F17C 13/084 248/146
2,767,989	A	10/1956	Luebbers		
D194,151	S	11/1962	Deschamps et al.		
3,224,644	A *	12/1965	Davis	.....	B65D 83/267 222/162
3,287,690	A	11/1966	Book		
3,387,811	A	6/1968	Adams, Jr.		
D222,527	S	11/1971	Ziaylek		

D232,699	S	9/1974	Bartunek		
D233,669	S	11/1974	Plice		
3,857,598	A	12/1974	Jelich		
4,194,096	A	3/1980	Ramsey		
4,514,598	A	4/1985	Plice		
4,546,950	A	10/1985	Cech		
4,577,070	A *	3/1986	Shulman	.....	H04R 1/08 248/104

D296,099	S *	6/1988	Kubota	.....	D14/227
4,811,405	A	3/1989	Peiker		
4,848,714	A *	7/1989	Ziaylek, Jr.	.....	A62B 9/04 248/313

4,929,973 A 5/1990 Nakatani  
(Continued)

**OTHER PUBLICATIONS**

Sennheiser, MKE400, Apr. 2008.

(Continued)

*Primary Examiner* — Paula Allen Greene

(74) *Attorney, Agent, or Firm* — Saidman DesignLaw  
Group, LLC

(57)

**CLAIM**

The ornamental design for a microphone, as shown and described.

**DESCRIPTION**

FIG. 1 is a perspective view of a microphone showing our new design;

FIG. 2 is another perspective view thereof;

FIG. 3 is a front view thereof;

FIG. 4 is a rear view thereof;

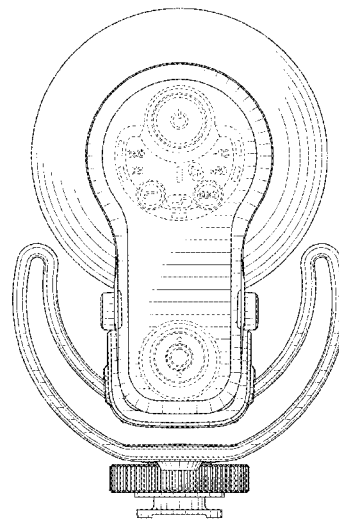
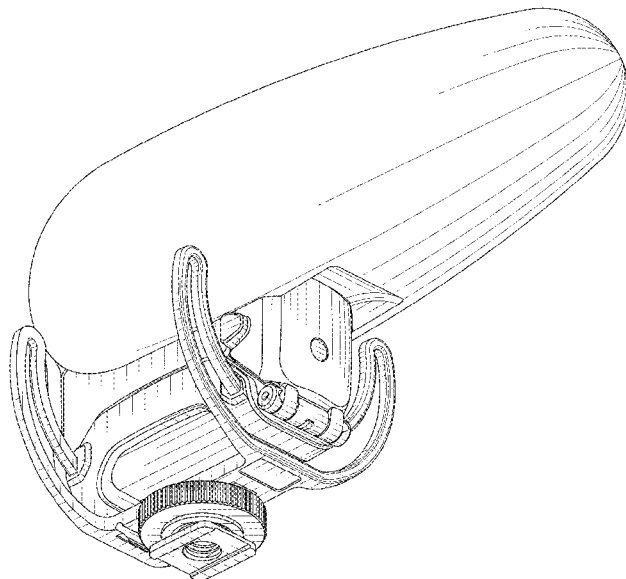
FIG. 5 is a left side view thereof;

FIG. 6 is a right side view thereof; and,

FIG. 7 is a bottom view thereof.

The broken lines illustrate structure or features which form no part of the claimed design.

**1 Claim, 6 Drawing Sheets**



(56)

References Cited

U.S. PATENT DOCUMENTS

D313,802 S 1/1991 Peiker  
 D314,325 S 2/1991 Ziaylek et al.  
 4,991,220 A 2/1991 Wolf  
 5,031,872 A \* 7/1991 Vance ..... F16F 9/0481  
 248/187.1  
 D326,927 S 6/1992 Catalina  
 5,303,304 A 4/1994 Lee  
 D367,999 S 3/1996 McCallum  
 5,642,557 A 7/1997 Clews  
 5,921,520 A 7/1999 Wisniewski  
 D427,586 S 7/2000 Cozzolino et al.  
 D427,995 S 7/2000 Cozzolino et al.  
 6,220,557 B1 4/2001 Ziaylek et al.  
 D454,776 S 3/2002 Padrun  
 6,459,802 B1 10/2002 Young  
 6,768,804 B1 7/2004 Isvan  
 D506,385 S 6/2005 Brown  
 6,922,475 B2 \* 7/2005 Hsieh ..... H04R 1/08  
 381/361  
 D511,192 S 11/2005 Nishihara  
 D516,642 S 3/2006 Swiszczy et al.  
 D516,645 S 3/2006 Chung  
 D516,646 S 3/2006 Yang  
 D518,862 S 4/2006 Swiszczy et al.  
 D563,396 S 3/2008 Probst et al.  
 D569,842 S 5/2008 Yang  
 D586,791 S 2/2009 Birger et al.  
 D591,785 S 5/2009 Fong  
 D592,190 S 5/2009 Birger  
 D602,920 S 10/2009 Fleischer et al.  
 D603,381 S 11/2009 Fleischer et al.  
 D605,183 S 12/2009 Fleischer et al.  
 D606,521 S 12/2009 Birger  
 D609,695 S 2/2010 Cigliano et al.  
 D619,452 S 7/2010 Ollila  
 D619,998 S 7/2010 Birger  
 D620,926 S 8/2010 Wai  
 D645,849 S 9/2011 Kim et al.  
 8,054,336 B2 \* 11/2011 Vanderwilt ..... F16M 11/10  
 348/211.14  
 D650,773 S 12/2011 Kim et al.  
 D653,649 S 2/2012 Yang et al.  
 8,117,796 B2 2/2012 Kodi  
 8,121,333 B2 \* 2/2012 Woolf ..... H04R 1/08  
 381/361  
 D659,200 S 5/2012 Wicken  
 D661,284 S 6/2012 Brandis et al.  
 D664,125 S 7/2012 Koch et al.

D669,135 S 10/2012 Garfinkle  
 D676,428 S 2/2013 Trewartha et al.  
 D687,420 S 8/2013 Trewartha et al.  
 8,534,629 B2 \* 9/2013 Hennings ..... B63C 11/22  
 248/297.31  
 D703,193 S 4/2014 Trewartha et al.  
 D708,600 S 7/2014 Trewartha et al.  
 8,783,636 B2 7/2014 Okita  
 D710,831 S 8/2014 Cooper et al.  
 D711,718 S 8/2014 Francaviglia  
 8,814,118 B2 \* 8/2014 Okita ..... H01F 7/0252  
 24/495  
 D719,140 S 12/2014 Sanhui  
 D723,363 S 3/2015 Symons  
 D730,327 S 5/2015 Mun et al.  
 D735,171 S 7/2015 Sunwoo et al.  
 D736,189 S 8/2015 Cooper et al.  
 D737,252 S 8/2015 Fereday et al.  
 D737,804 S 9/2015 Fereday et al.  
 D745,495 S 12/2015 Fereday et al.  
 D751,060 S \* 3/2016 Cooper ..... D14/251  
 D772,205 S 11/2016 Sunwoo et al.  
 D772,848 S 11/2016 Sunwoo et al.  
 D775,259 S \* 12/2016 Jia ..... D14/225  
 D801,953 S \* 11/2017 Sunwoo ..... D14/225  
 2003/0035561 A1 2/2003 Hsieh  
 2003/0197316 A1 10/2003 Baumhauer, Jr. et al.  
 2004/0157581 A1 8/2004 Park et al.  
 2006/0082655 A1 4/2006 Vanderwilt et al.  
 2007/0195983 A1 8/2007 Klemme  
 2009/0016558 A1 1/2009 Woolf et al.  
 2010/0239113 A1 9/2010 Browne  
 2013/0019877 A1 1/2013 Sklar  
 2013/0061430 A1 3/2013 Okita et al.  
 2014/0233764 A1 8/2014 Mathis  
 2014/0270311 A1 9/2014 Parker et al.

OTHER PUBLICATIONS

Videomic Pro Shockmount. dvinfo.net (online forum). 1 Page. Uploaded Oct. 2008[retrieved on Dec. 30, 2014]. Retrieved from Internet:<<http://www.dvinfo.net/forum/all-things-audio/509637>. Retrieved Mar. 7, 2016 from Design Patent D737804.  
 Videomic Pro Shockmount. dvinfo.net (online forum). 1 page. Uploaded Oct. 2008 [retrieved on May 16, 2016]. Retrieved from Internet:><http://www.dvinfo.net/forum/all-things-audio/509637-do-any-other-rode-lovers-hate-videomic-pro-shockmount.html>>. Office action dated Mar. 16, 2016 in U.S. Appl No. 29/522,199 (Published on Nov. 29, 2016, U.S. Pat. No. D772,848).

\* cited by examiner

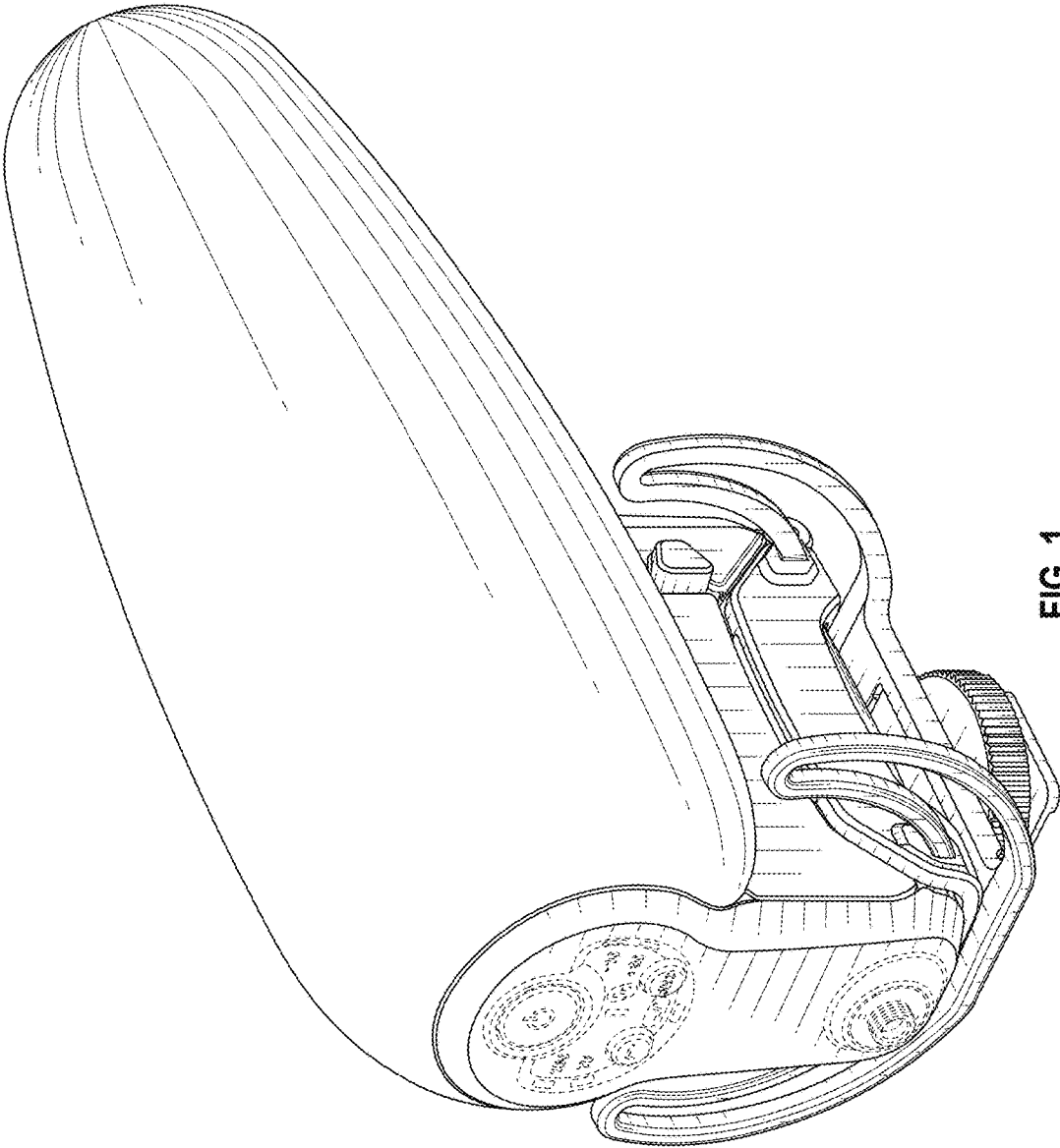


FIG. 1

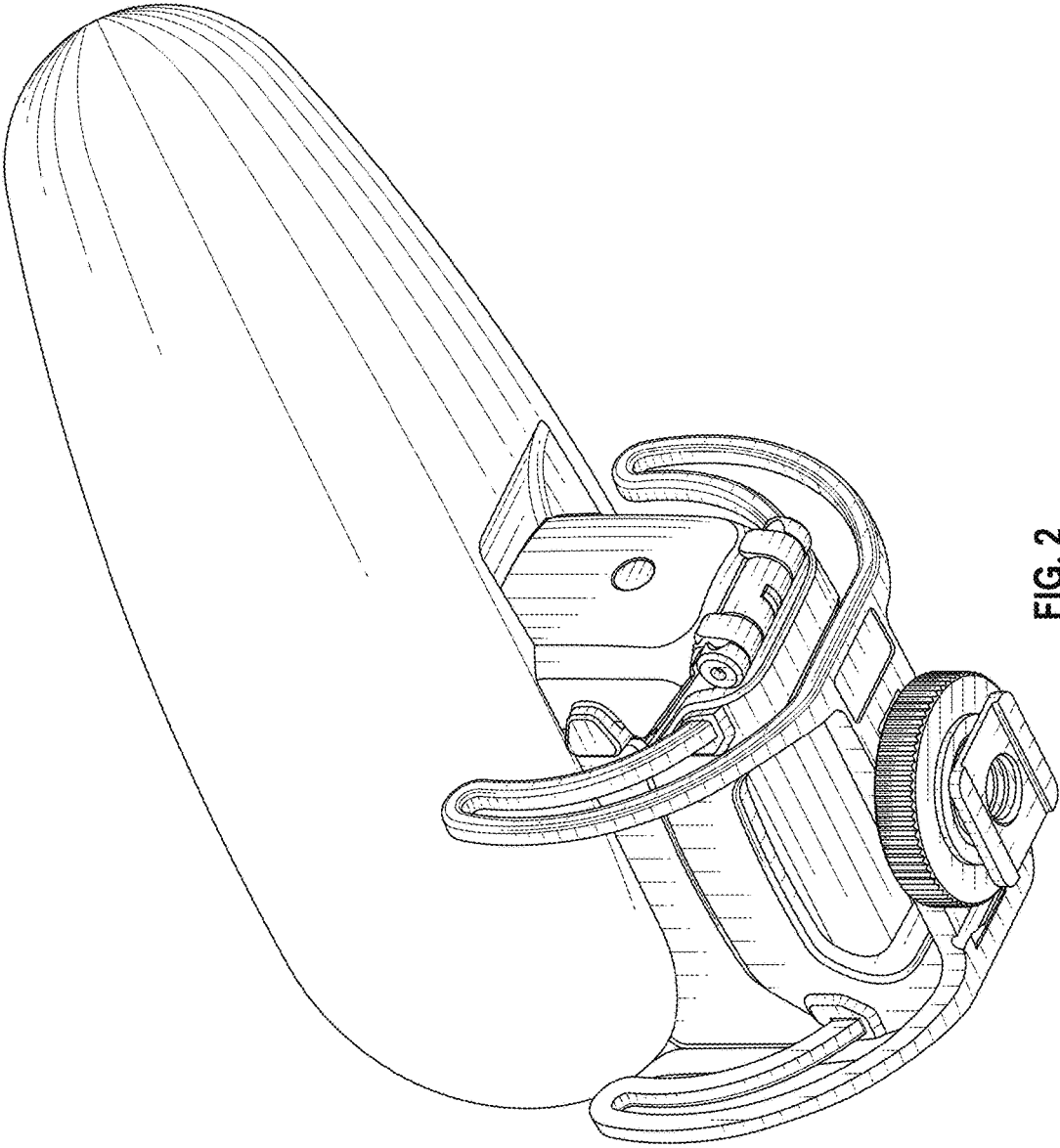


FIG. 2

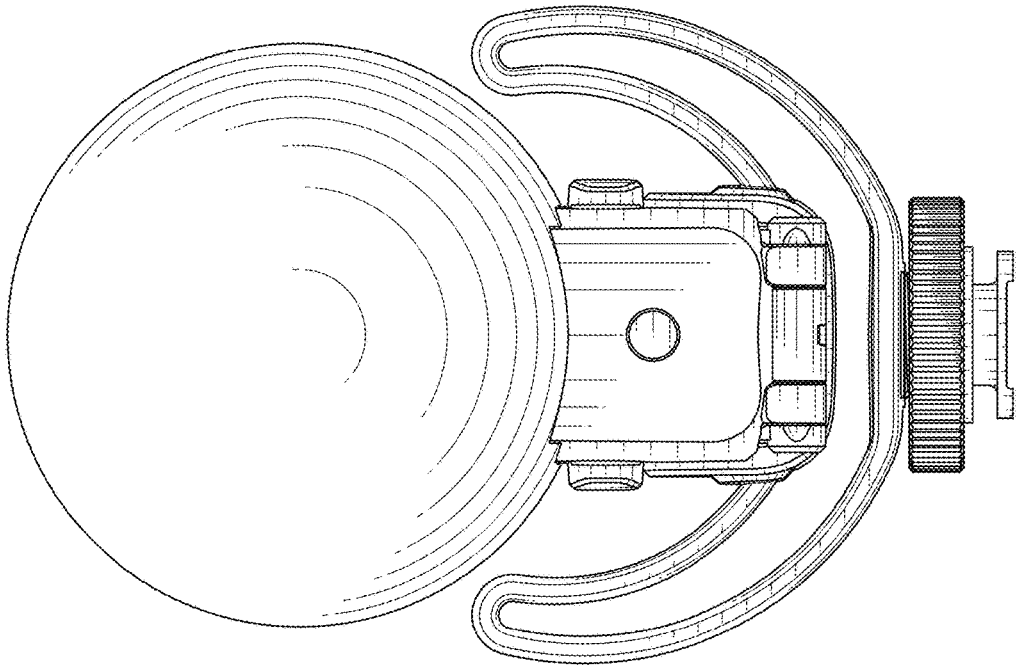


FIG. 3

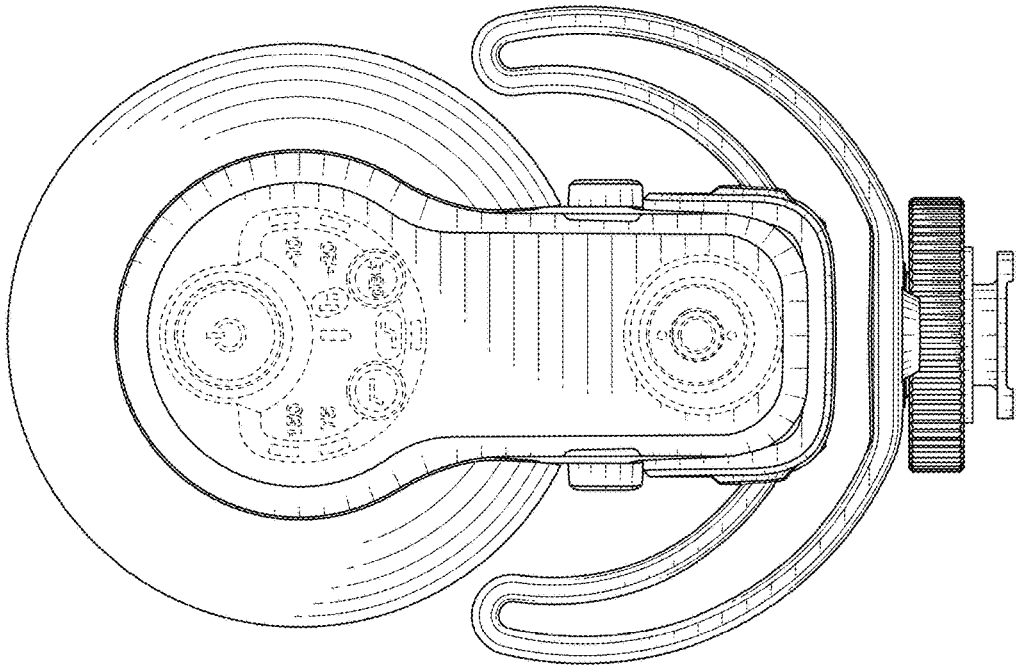


FIG. 4

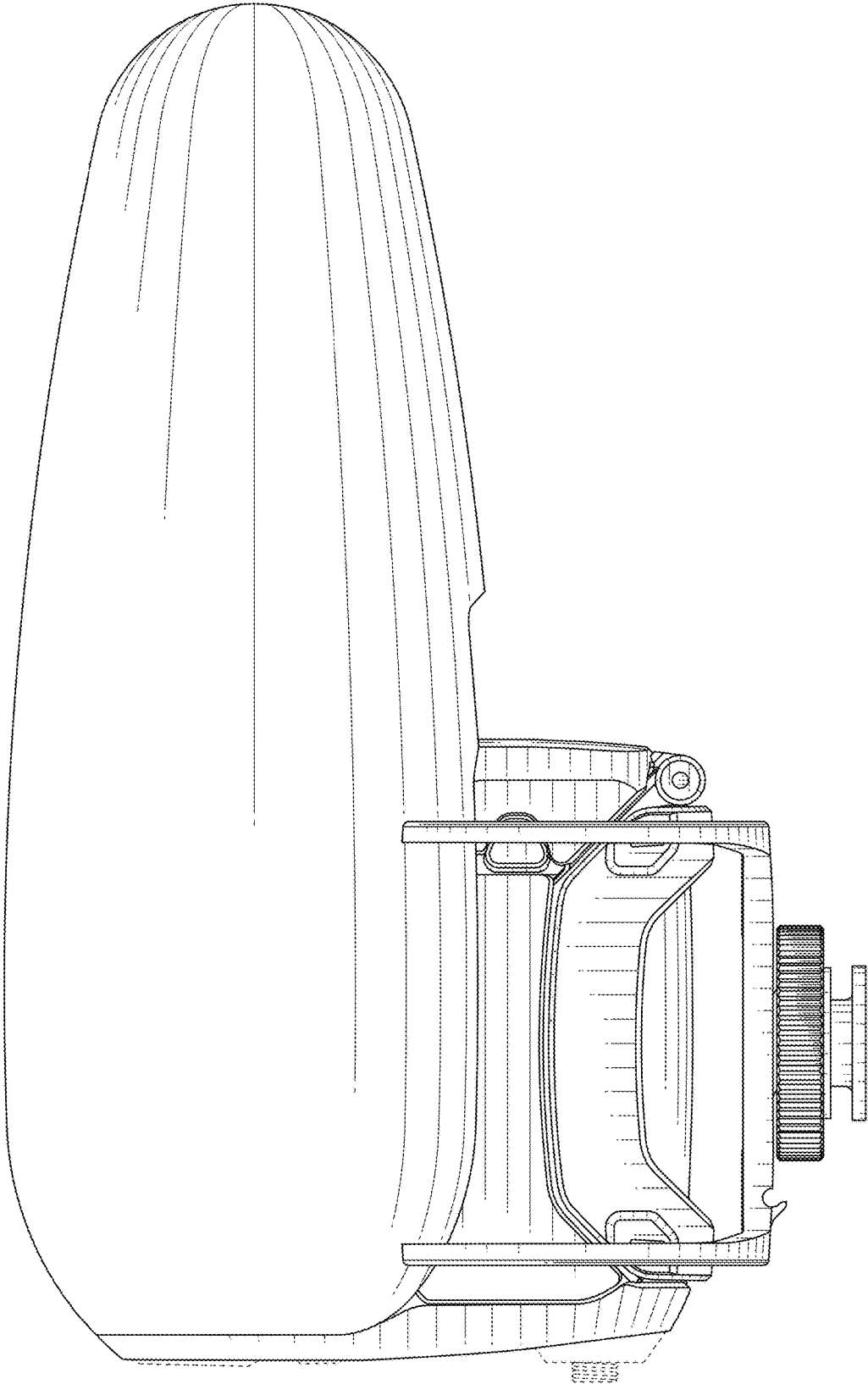


FIG. 5

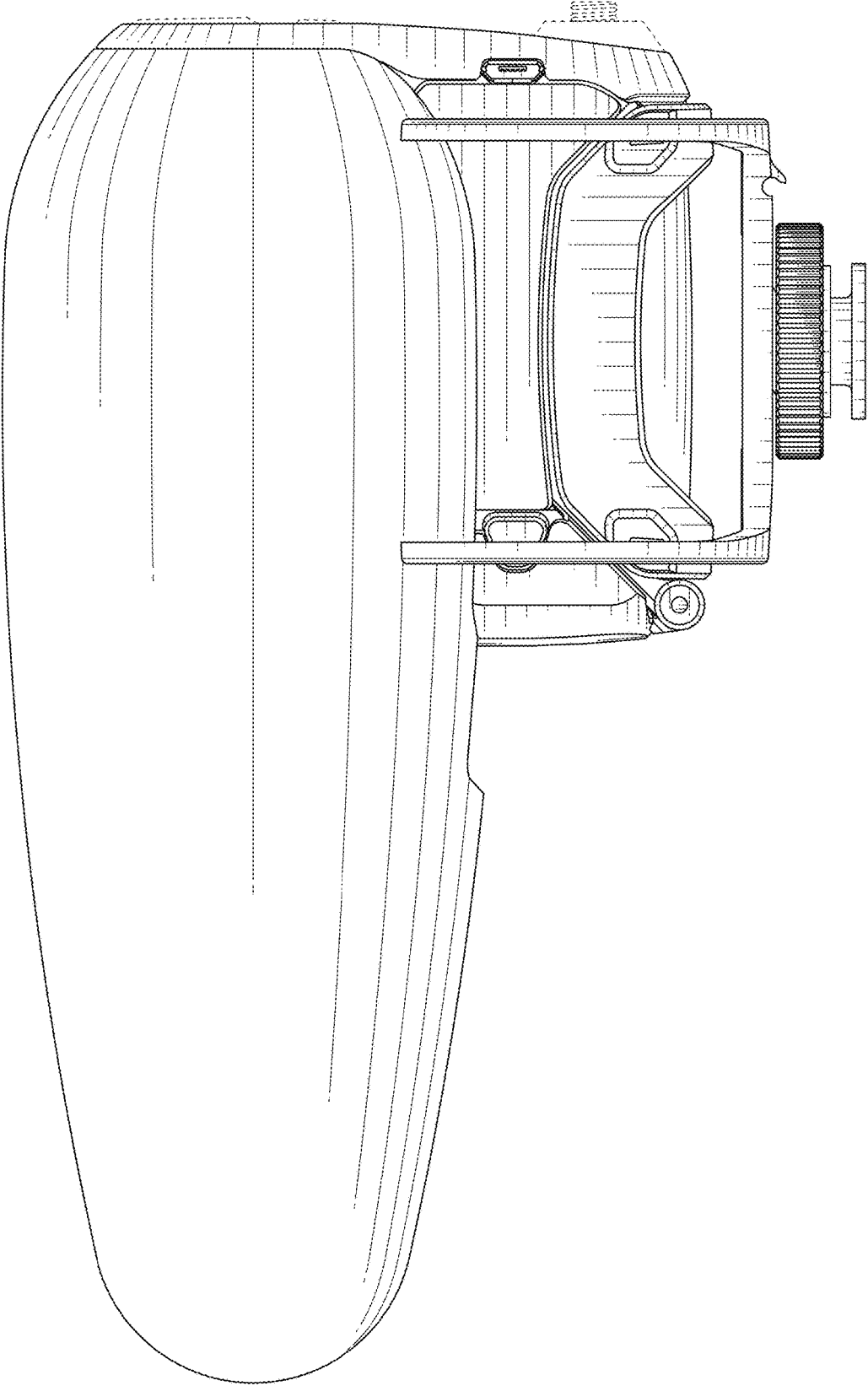


FIG. 6

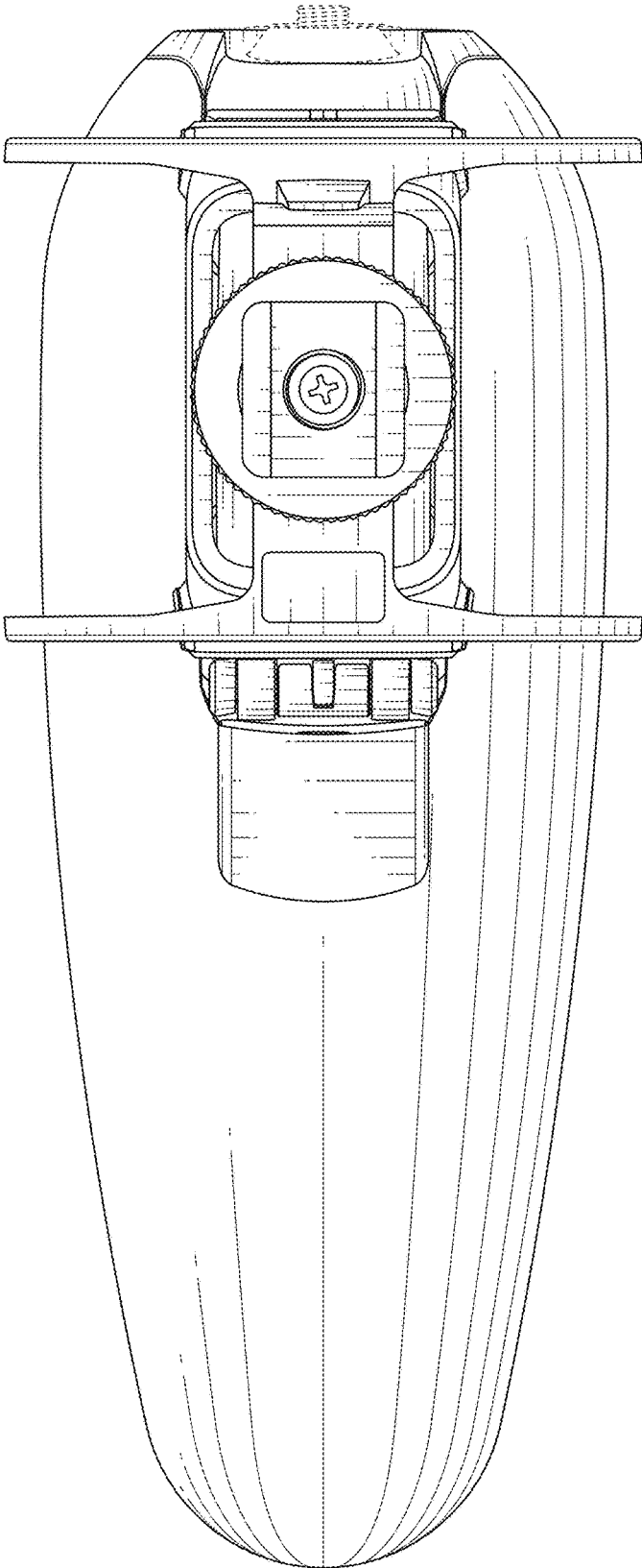


FIG. 7