

(19) World Intellectual Property Organization
International Bureau



(43) International Publication Date
18 January 2007 (18.01.2007)

PCT

(10) International Publication Number
WO 2007/008677 A3

- (51) **International Patent Classification:**
B65G 1/00 (2006.01) HOIL 21/607 (2006.01)
C23F 1/00 (2006.01) C23C 16/00 (2006.01)
- (21) **International Application Number:**
 PCT/US2006/026543
- (22) **International Filing Date:** 10 July 2006 (10.07.2006)
- (25) **Filing Language:** English
- (26) **Publication Language:** English
- (30) **Priority Data:**
 11/178,836 11 July 2005 (11.07.2005) US
- (71) **Applicant:** BROOKS AUTOMATION, INC. [US/US];
 15 Elizabeth Drive, Chelmsford, MA 01824 (US).
- (72) **Inventors:** HALL, Daniel, A.; 130 Georgetown Road,
 West Newbury, MA 01985 (US). SINDLEDECKER,
 Glenn, L.; 65 Stonebridge Drive, Dracut, MA 01836
 (US). COADY, Matthew, W.; 41 Twiss Lane, Hollis, NH
 03049 (US). TROLIO, Marcelllo; 10 Kenmar Drive #33,
 Billerica, MA 01821 (US). SPINAZOLA, Michael; 57
 Swain Road, Wilmington, MA 01887 (US).

- (74) **Agents:** GREEN, Clarence, A. et al; PERMAN &
 GREEN, LLP, 425 Post Road, Fairfield, CT 06824 (US).
- (81) **Designated States** (unless otherwise indicated, for every
 kind of national protection available): AE, AG, AL, AM,
 AT, AU, AZ, BA, BB, BG, BR, BW, BY, BZ, CA, CH, CN,
 CO, CR, CU, CZ, DE, DK, DM, DZ, EC, EE, EG, ES, FI,
 GB, GD, GE, GH, GM, HN, HR, HU, ID, IL, IN, IS, JP,
 KE, KG, KM, KN, KP, KR, KZ, LA, LC, LK, LR, LS, LT,
 LU, LV, LY, MA, MD, MG, MK, MN, MW, MX, MZ, NA,
 NG, NI, NO, NZ, OM, PG, PH, PL, PT, RO, RS, RU, SC,
 SD, SE, SG, SK, SL, SM, SY, TJ, TM, TN, TR, TT, TZ,
 UA, UG, US, UZ, VC, VN, ZA, ZM, ZW
- (84) **Designated States** (unless otherwise indicated, for every
 kind of regional protection available): ARIPO (BW, GH,
 GM, KE, LS, MW, MZ, NA, SD, SL, SZ, TZ, UG, ZM,
 ZW), Eurasian (AM, AZ, BY, KG, KZ, MD, RU, TJ, TM),
 European (AT, BE, BG, CH, CY, CZ, DE, DK, EE, ES, FI,
 FR, GB, GR, HU, IE, IS, IT, LT, LU, LV, MC, NL, PL, PT,
 RO, SE, SI, SK, TR), OAPI (BF, BJ, CF, CG, CI, CM, GA,
 GN, GQ, GW, ML, MR, NE, SN, TD, TG).

[Continued on next page]

(54) Title: LOAD PORT MODULE

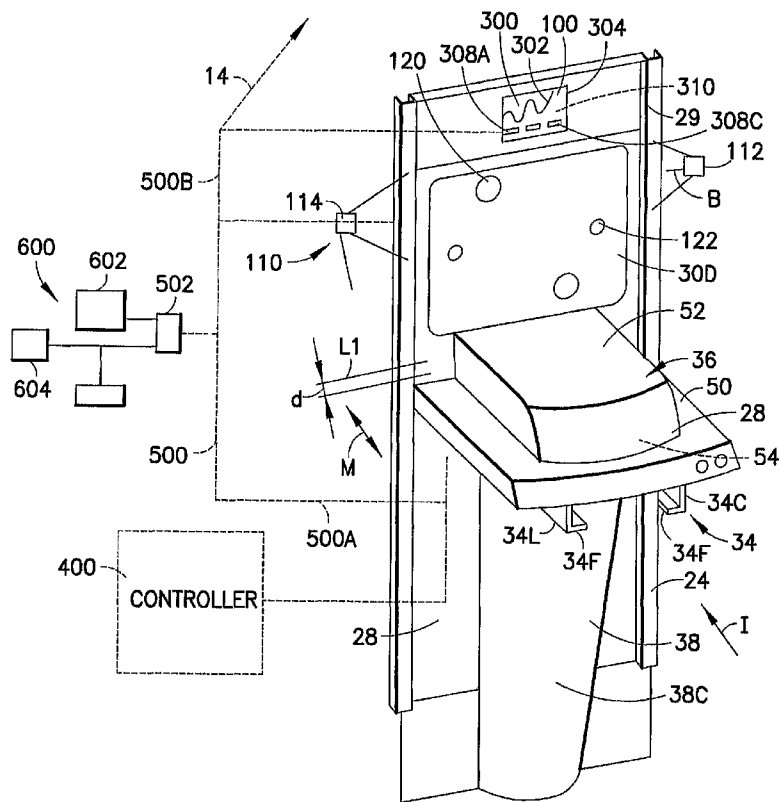


FIG. 2

(57) **Abstract:** A substrate loading device having a frame (29); a cassette support (28), and a user interface (100). The frame is connected to a substrate processing apparatus (14). The frame has a transport opening (300) through which substrates are transported between the device and the processing apparatus. The cassette support is connected to the frame for holding at least one substrate holding cassette (T). The user interface is arranged for inputting information, and is mounted to the frame so that the user interface is integral with the frame.

WO 2007/008677 A3



Published:

— *with international search report*


(88) Date of publication of the international search report:

13 November 2008

INTERNATIONAL SEARCH REPORT

International application No.

PCT/US06/26543

A. CLASSIFICATION OF SUBJECT MATTER IPC. HOIL 21/607(2006 01);B65G 1/00(2006.01);C23C 16/00(2006 01);C23F 1/00(2006.01) USPC: 4147217,222.01,935;1 18/719; 156/345.3 1,345.32 According to International Patent Classification (IPC) or to both national classification and IPC		
B. FIELDS SEARCHED Minimum documentation searched (classification system followed by classification symbols) U.S. : 414/217,222 01,935; 118/719;156/345 31,345 32 Documentation searched other than minimum documentation to the extent that such documents are included in the fields searched Electronic data base consulted during the international search (name of data base and, where practicable, search terms used)		
C. DOCUMENTS CONSIDERED TO BE RELEVANT		
Category *	Citation of document, with indication, where appropriate, of the relevant passages	Relevant to claim No.
X	US 2003/0091409 A1 (DANNA et al) 15 May 2003 (15.05.2003), entire document.	1-3,5-10,13-14,17-19
---		-----
Y		4,1 1-12,15-16
Y	US 5,544,421 (THOMPSON et al) 13 August 1996 (13.08. 1996), column 3, rows 41-5 1).	4, 15
Y	US 6,188,323 (ROSENQUIST et al) 13 February 2001 (13 02 2001), column 7, rows 13-22.	11
Y	US 2005/0096784 A1 (LAI) 5 May 2008 (05 05.2005), paragraph 17.	12, 16
Y	US 6,501,070 (BACCHI et al) 31 December 2002 (31.12 2002), entire document.	20-34
<input type="checkbox"/> Further documents are listed in the continuation of Box C.		
D See patent family annex.		
• Special categories of cited documents "A" document defining the general state of the art which is not considered to be of particular relevance "E" earlier application or patent published on or after the international filing date "L" document which may throw doubts on priority claim(s) or which is fled to establish the publication date of another citation or other special reason (as specified) "O" document referring to an oral disclosure, use, exhibition or other means "P" document published prior to the international filing date but later than the priority date claimed	"T" later document published after the international filing date or priority date and not in conflict with the application but cited to understand the principle or theory underlying the invention "X" document of particular relevance, the claimed invention cannot be considered novel or cannot be considered to involve an inventive step when the document is taken alone "Y" document of particular relevance, the claimed invention cannot be considered to involve an inventive step when the document is combined with one or more other such documents, such combination being obvious to a person skilled in the art "&" document member of the same patent family	
Date of the actual completion of the international search <u>22 May 2008 (22 05 2008)</u>		Date of mailing of the international search report Oi JIM 2008
Name and mailing address of the ISA/US Mail Stop PCT, Attn ISA/US Commissioner for Patents P.O. Box 1450 Alexandria, Virginia 22313-1450 Facsimile No. (571) 273-3201		Authorized officer KARLA MOORE  Telephone No. 571.272.1700

INTERNATIONAL SEARCH REPORT

International application No.

PCT/US06/26543

Box No. II Observations where certain claims were found unsearchable (Continuation of item 2 of first sheet)

This international search report has not been established in respect of certain claims under Article 17(2)(a) for the following reasons:

1. Claims Nos.:
because they relate to subject matter not required to be searched by this Authority, namely.

2. Claims Nos.:
because they relate to parts of the international application that do not comply with the prescribed requirements to such an extent that no meaningful international search can be carried out, specifically:

3. Claims Nos.:
because they are dependent claims and are not drafted in accordance with the second and third sentences of Rule 6.4(a).

Box No. III Observations where unity of invention is lacking (Continuation of item 3 of first sheet)

This International Searching Authority found multiple inventions in this international application, as follows:

1. As all required additional search fees were timely paid by the applicant, this international search report covers all searchable claims.
2. As all searchable claims could be searched without effort justifying additional fees, this Authority did not invite payment of any additional fees.
3. As only some of the required additional search fees were timely paid by the applicant, this international search report covers only those claims for which fees were paid, specifically claims Nos.:

4. No required additional search fees were timely paid by the applicant. Consequently, this international search report is restricted to the invention first mentioned in the claims; it is covered by claims Nos.:

- Remark on Protest
- The additional search fees were accompanied by the applicant's protest and, where applicable, the payment of a protest fee.
- The additional search fees were accompanied by the applicant's protest but the applicable protest fee was not paid within the time limit specified in the invitation.
- No protest accompanied the payment of additional search fees.