



US00D773305S

(12) **United States Design Patent** (10) **Patent No.:** **US D773,305 S**  
**Toh et al.** (45) **Date of Patent:** **\*\* Dec. 6, 2016**

- (54) **CONTAINER**
  - (71) Applicant: **COLGATE-PALMOLIVE COMPANY**, New York, NY (US)
  - (72) Inventors: **Kiat-Cheong Toh**, Forest Hills, NY (US); **Thomas VanDyk**, Ramsey, NJ (US); **Roland Charriez**, Plattekill, NY (US); **David Demar**, Tenafly, NY (US); **Keith Kristiansen**, Stratford, CT (US); **Simon Dutton**, New City, NY (US)
  - (73) Assignee: **Colgate-Palmolive Company**, New York, NY (US)
  - (\*\*) Term: **14 Years**
  - (21) Appl. No.: **29/502,646**
  - (22) Filed: **Sep. 18, 2014**
  - (51) **LOC (10) Cl.** ..... **09-01**
  - (52) **U.S. Cl.**  
USPC ..... **D9/529**; D9/565; D9/449
  - (58) **Field of Classification Search**  
USPC ..... D9/682-694, 516-575, 435, 436, 446, D9/447, 449  
CPC ..... B65D 1/02; B65D 1/023; B65D 1/0223; B65D 1/0246; B65D 2501/0081; B65D 2501/009; B65D 47/08; B65D 47/0804; B65D 47/0809; B65D 47/0814; B65D 47/0838; B65D 47/2018; B65D 51/249
- See application file for complete search history.

D179,309 S 5/1997 Crawford  
 D382,209 S 8/1997 Fenton et al.  
 D398,238 S 9/1998 Bertolini et al.  
 D398,244 S 9/1998 Bertolini et al.

(Continued)

**FOREIGN PATENT DOCUMENTS**

AR 70799 2/2003  
 AU 134731 8/1998

(Continued)

**OTHER PUBLICATIONS**

Thailand (TH) registered design document Nos. D113118, D113119, D113120, D113121, D113122, D113123 & D114352, all published in 2012, publication month unknown.\*  
 Thailand (TH) registered design document Nos. D124510 & D124511, both published in 2013, publication month unknown.\*  
 Thailand (TH) registered design document Nos. D93755, D96465, D96498 & D97254, all published in 2009, publication month unknown.\*

(Continued)

*Primary Examiner* — Catherine Tuttle

(57) **CLAIM**

The ornamental design for a container, as shown and described.

**DESCRIPTION**

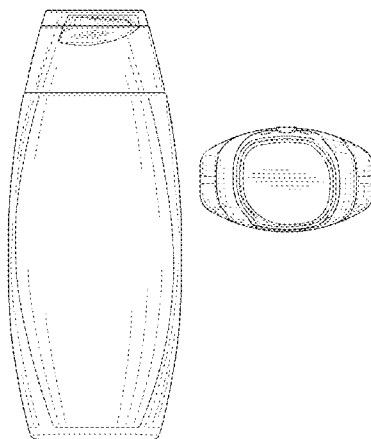
FIG. 1 is a perspective view of a container embodying our new design;  
 FIG. 2 is a front elevational view thereof;  
 FIG. 3 is a rear elevational view thereof;  
 FIG. 4 is a left side elevational view thereof;  
 FIG. 5 is a right side elevational view thereof;  
 FIG. 6 is a top plan view thereof; and,  
 FIG. 7 is a bottom plan view thereof.  
 The broken lines shown in the drawings are included for the purpose of illustrating environmental structure and form no part of the claimed design.

**1 Claim, 5 Drawing Sheets**

(56) **References Cited**

**U.S. PATENT DOCUMENTS**

- D242,126 S 11/1976 Morea
- D254,651 S 4/1980 Shortino
- D254,652 S 4/1980 Shortino
- D254,713 S 4/1980 Shortino
- D282,441 S 2/1986 Shiokawa
- D346,964 S 5/1994 Green
- D355,363 S 2/1995 Iorii et al.
- 5,417,991 A \* 5/1995 Green ..... B65D 1/0223  
219/734
- D372,870 S 8/1996 Westerhout
- D373,536 S \* 9/1996 Kokenge ..... D9/529
- D378,665 S 4/1997 Fenton et al.



(56)

References Cited

U.S. PATENT DOCUMENTS

D401,507 S 11/1998 Gonda et al.  
 D406,482 S 3/1999 Kerr  
 D416,154 S 11/1999 Diehl  
 D430,008 S 8/2000 Gobe  
 D437,559 S 2/2001 Fenton et al.  
 D440,881 S 4/2001 Flurer et al.  
 D444,389 S 7/2001 Bakic  
 D446,725 S 8/2001 Lloyd  
 D447,953 S 9/2001 Brynestad et al.  
 D450,593 S 11/2001 Jebb et al.  
 D452,446 S 12/2001 Shear  
 D455,349 S 4/2002 Lloyd  
 D461,718 S 8/2002 Brozell  
 D468,643 S 1/2003 Kuzma et al.  
 D471,820 S 3/2003 Faillant-Dumas  
 D473,141 S 4/2003 Cummings  
 D486,737 S 2/2004 Oates et al.  
 D487,400 S 3/2004 Oates  
 D490,714 S 6/2004 Snyder  
 D491,815 S 6/2004 Crawford  
 D494,870 S 8/2004 Bakic  
 D495,961 S 9/2004 Bakic  
 D501,141 S 1/2005 Bakic  
 D501,143 S 1/2005 Bakic  
 D521,873 S 5/2006 Ross et al.  
 D525,873 S 8/2006 Haubert et al.  
 D526,902 S 8/2006 Cummings  
 D527,640 S 9/2006 Ludewigs et al.  
 D529,388 S 10/2006 Bakic  
 D540,176 S 4/2007 Flurer et al.  
 D540,682 S 4/2007 Shurtleff et al.  
 D542,141 S \* 5/2007 Okin ..... D9/435  
 D542,660 S 5/2007 Thomas et al.  
 D545,682 S 7/2007 Mongeon  
 D552,479 S 10/2007 Mongeon et al.  
 D563,226 S 3/2008 Mongeon et al.  
 D563,232 S 3/2008 Mongeon et al.  
 D563,789 S 3/2008 Mongeon et al.  
 D568,162 S 5/2008 Mongeon  
 D568,745 S 5/2008 Bradley et al.  
 D573,470 S 7/2008 Bradley et al.  
 D573,890 S 7/2008 Mongeon  
 D580,269 S 11/2008 Xiao et al.  
 D580,767 S 11/2008 Okin et al.  
 D585,289 S 1/2009 Toh et al.  
 D585,290 S 1/2009 Toh et al.  
 D587,117 S 2/2009 Crawford  
 D587,127 S 2/2009 Moreira et al.  
 D588,920 S 3/2009 O'Donahue  
 D588,923 S 3/2009 Mongeon et al.  
 D591,599 S 5/2009 Okin et al.  
 D593,860 S 6/2009 Bradley et al.  
 D601,425 S 10/2009 Miller et al.  
 D601,427 S 10/2009 Miller et al.  
 D602,356 S 10/2009 Shurtleff et al.  
 D605,944 S 12/2009 Hundertmark  
 D608,196 S 1/2010 Beilke  
 D608,639 S 1/2010 Jäckel et al.  
 D609,572 S 2/2010 Ribadeneira Mejia et al.  
 D610,910 S 3/2010 Simmons et al.  
 D611,830 S 3/2010 Casey et al.  
 D615,412 S 5/2010 Thomas et al.  
 D616,750 S 6/2010 Toh  
 D622,151 S 8/2010 Toh  
 D624,424 S 9/2010 Fiore  
 D632,963 S 2/2011 Hale et al.  
 D634,210 S 3/2011 Kaplan et al.  
 D640,563 S 6/2011 Simmons et al.  
 D644,106 S 8/2011 Almstead et al.  
 D644,531 S 9/2011 Padain et al.  
 D646,170 S 10/2011 Carduff et al.  
 D650,282 S 12/2011 Padain et al.  
 D653,556 S 2/2012 Arcos Bellvehi  
 D662,422 S 6/2012 Avakian  
 D665,261 S 8/2012 Mazurkiewicz et al.

D666,107 S 8/2012 Blachford et al.  
 D674,282 S 1/2013 Baldrige et al.  
 D683,226 S 5/2013 Baldrige et al.  
 D683,229 S 5/2013 Crawford et al.  
 D683,230 S 5/2013 Crawford et al.  
 D683,237 S 5/2013 Crawford et al.  
 D683,631 S 6/2013 Crawford  
 D684,064 S 6/2013 Crawford et al.  
 D684,473 S 6/2013 Crawford et al.  
 D684,864 S 6/2013 Crawford et al.  
 D688,130 S 8/2013 Crawford et al.  
 D688,131 S \* 8/2013 Crawford ..... D9/449  
 D689,367 S 9/2013 Crawford  
 D690,204 S 9/2013 Crawford et al.  
 D691,042 S \* 10/2013 Crawford ..... D9/449  
 D691,045 S 10/2013 Toh et al.  
 D694,631 S 12/2013 Crawford  
 D715,655 S 10/2014 Brewer et al.  
 D718,144 S 11/2014 Brewer et al.  
 D721,972 S 2/2015 Brewer et al.  
 D722,272 S 2/2015 Brewer et al.  
 D725,476 S 3/2015 Kuzma et al.  
 D736,094 S 8/2015 Jeong  
 D739,746 S 9/2015 Liu  
 D740,671 S 10/2015 de Vries et al.  
 D740,672 S 10/2015 de Vries et al.  
 D741,178 S 10/2015 Higareda et al.  
 D741,179 S 10/2015 Higareda et al.  
 D741,180 S 10/2015 Higareda et al.  
 D742,235 S 11/2015 Albuquerque et al.  
 D746,692 S 1/2016 Alvarez De Cienfuegos  
 Hernandez et al.  
 D750,964 S 3/2016 Alvarez De Cienfuegos  
 Hernandez et al.  
 D750,965 S 3/2016 Alvarez De Cienfuegos  
 Hernandez et al.  
 D753,493 S 4/2016 Alvarez De Cienfuegos  
 Hernandez et al.  
 D753,494 S \* 4/2016 Toh ..... D9/449  
 D758,872 S 6/2016 Blake et al.  
 2015/0144585 A1 \* 5/2015 Crawford ..... B65D 51/249  
 215/43  
 2015/0272197 A1 \* 10/2015 Swain ..... B65D 47/08  
 426/115

FOREIGN PATENT DOCUMENTS

AU 144335 7/2001  
 AU 157720 3/2005  
 AU 333675 11/2010  
 BR I6103517-3 5/2002  
 BR I6403053-9 11/2004  
 BR I6502815-5 9/2005  
 BR I6503457-0 12/2005  
 BR I6600099-8 4/2006  
 BR I6603109-5 11/2006  
 BR I6703669-4 8-8 4/2008  
 BR I6804054-7 10/2009  
 BR I6904654-9 8/2010  
 CL 5053 6/2005  
 CO 131 8/2004  
 CO 132 8/2004  
 EM 000194550-0003 9/2004  
 EM 000296520-0001 4/2005  
 EM 001576281-0001 7/2009  
 EM 001683343-0004 1/2012  
 EM 002353177-0020 2/2013  
 MX 17098 3/2005  
 MX 32238 2/2010  
 MX 36270 6/2010  
 NZ 401103 10/2000  
 NZ 403264 8/2003  
 PH 3-2000-000526 9/2002  
 PH 3-2003-000073 2/2004  
 PH 3-2002-000125 4/2004  
 PH 3-2002-000128 4/2004  
 PH 3-2004-000624 7/2005  
 PT 31348-0001 6/2003

(56)

**References Cited**

FOREIGN PATENT DOCUMENTS

TH	48931	8/2002
TH	54931	4/2003
TH	69118	8/2005
TH	79001	3/2006
TH	74407	12/2006
TH	116320	9/2012

OTHER PUBLICATIONS

Thailand (TH) registered design document No. D88712, published in 2008, publication month unknown.\*

Thailand (TH) registered design document No. D87104, published in 2007, publication month unknown.\*

Thailand (TH) registered design document Nos. D66343, D70345 & 70346, all published in 2005, publication month unknown.\*

\* cited by examiner

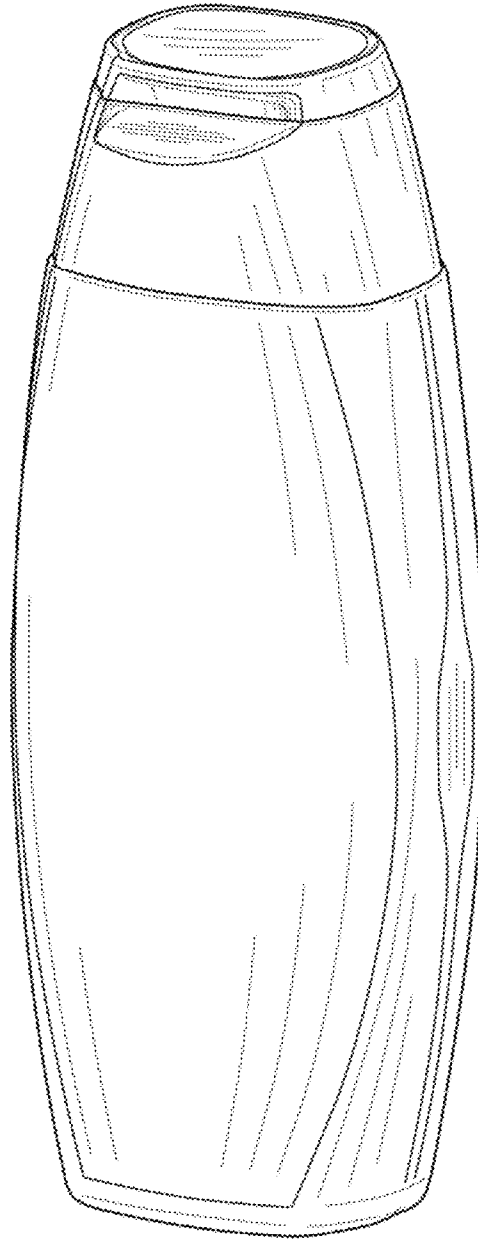


FIG. 1

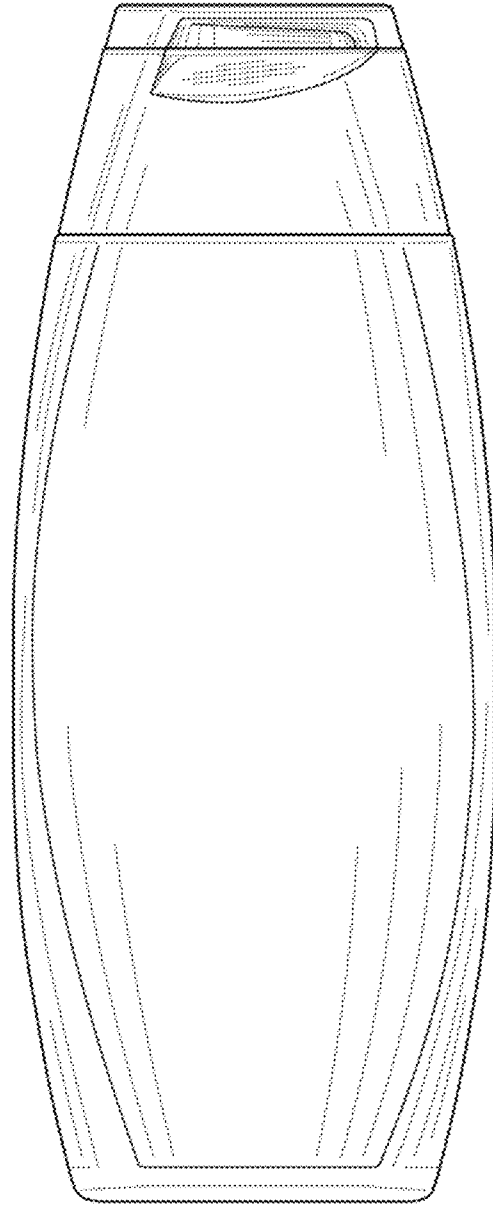


FIG. 2

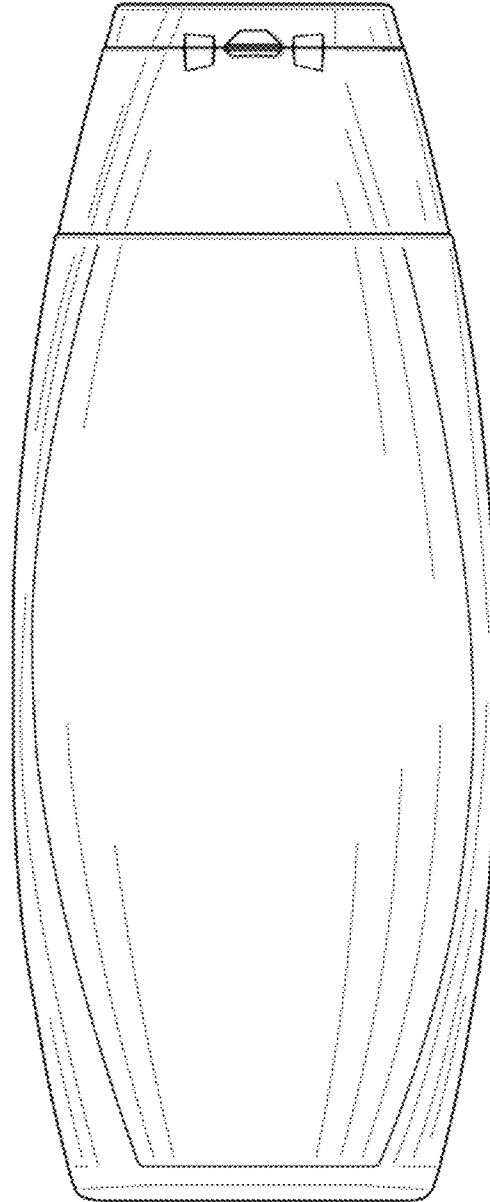


FIG. 3

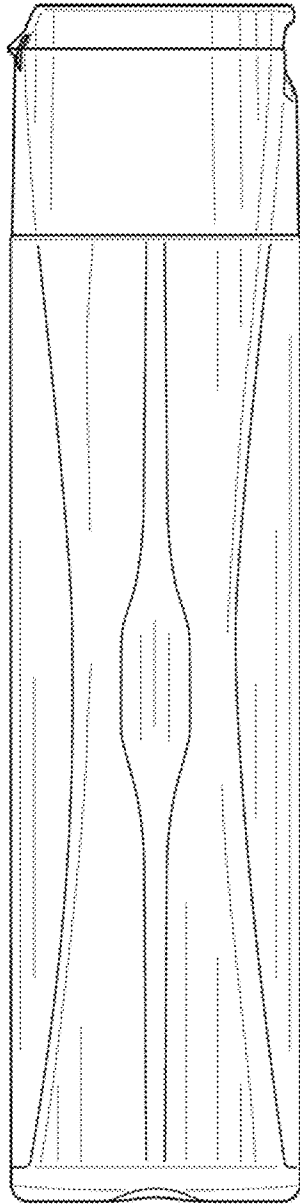


FIG. 4

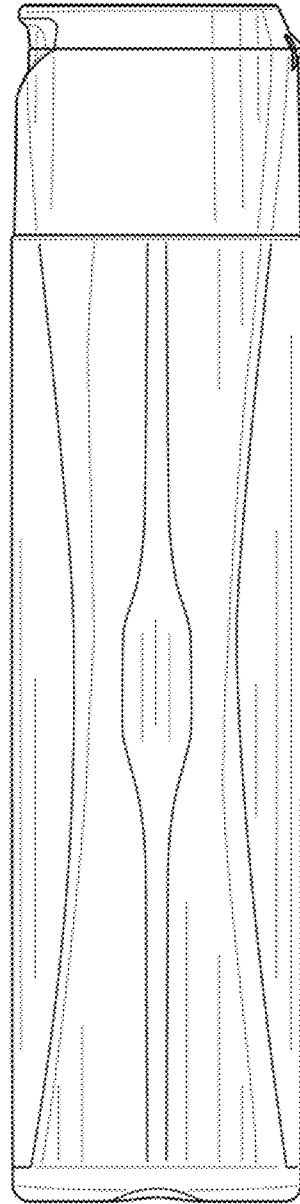


FIG. 5

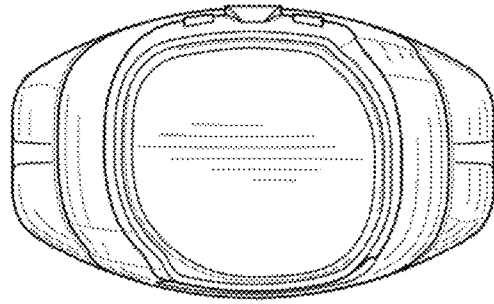


FIG. 6

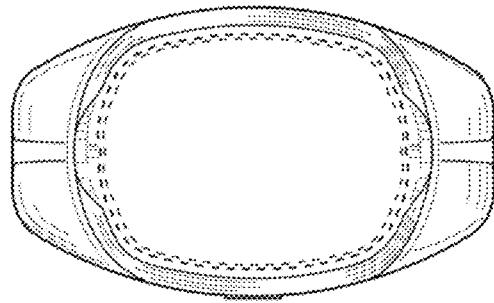


FIG. 7