



US00D587735S

(12) **United States Design Patent**
Narita et al.

(10) **Patent No.:** **US D587,735 S**
(45) **Date of Patent:** **** Mar. 3, 2009**

(54) **VIDEO CAMERA WITH HARD DISC RECORDER**

(75) Inventors: **Tatsuya Narita**, Kanagawa (JP);
Yoshiko Segawa, Kanagawa (JP);
Masaya Mihara, Kanagawa (JP)

(73) Assignee: **Victor Company of Japan, Limited**,
Kanagawa (JP)

(**) Term: **14 Years**

(21) Appl. No.: **29/307,225**

(22) Filed: **Apr. 7, 2008**

(30) **Foreign Application Priority Data**

Nov. 5, 2007 (JP) 2007-030522

(51) **LOC (9) Cl.** **16-01**

(52) **U.S. Cl.** **D16/202**

(58) **Field of Classification Search** D16/200–205,
D16/208, 218; 348/373–376; 358/906; 396/535–541
See application file for complete search history.

(56) **References Cited**

U.S. PATENT DOCUMENTS

D423,541 S * 4/2000 Ohwada D16/202
D561,800 S * 2/2008 Sadatsuki D16/202

D566,150 S * 4/2008 Sadatsuki D16/202
D570,892 S * 6/2008 Naruki D16/203
D571,387 S * 6/2008 Morita et al. D16/202
2007/0153120 A1 * 7/2007 Kajikawa et al. 348/373

* cited by examiner

Primary Examiner—Adir Aronovich

(74) *Attorney, Agent, or Firm*—Osha • Liang LLP

(57) **CLAIM**

The ornamental design for a video camera with hard disc recorder, as shown and described.

DESCRIPTION

FIG. 1 is a perspective view of the front, right and top of a video camera with hard disc recorder showing our new design;

FIG. 2 is a front view thereof;

FIG. 3 is a rear view thereof;

FIG. 4 is a top plan view thereof;

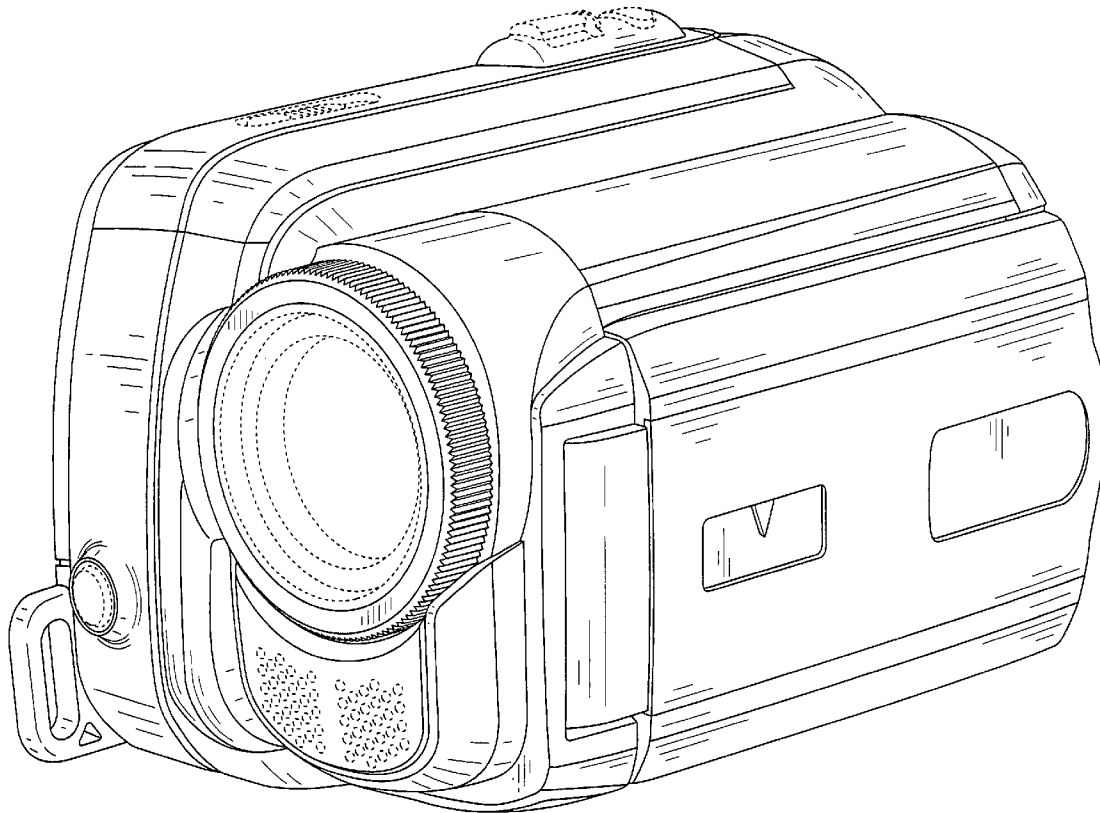
FIG. 5 is a bottom view thereof;

FIG. 6 is a left side view thereof; and,

FIG. 7 is a right side view thereof.

The elements shown in broken lines are for illustrative purposes only and form no part of the claimed design.

1 Claim, 7 Drawing Sheets



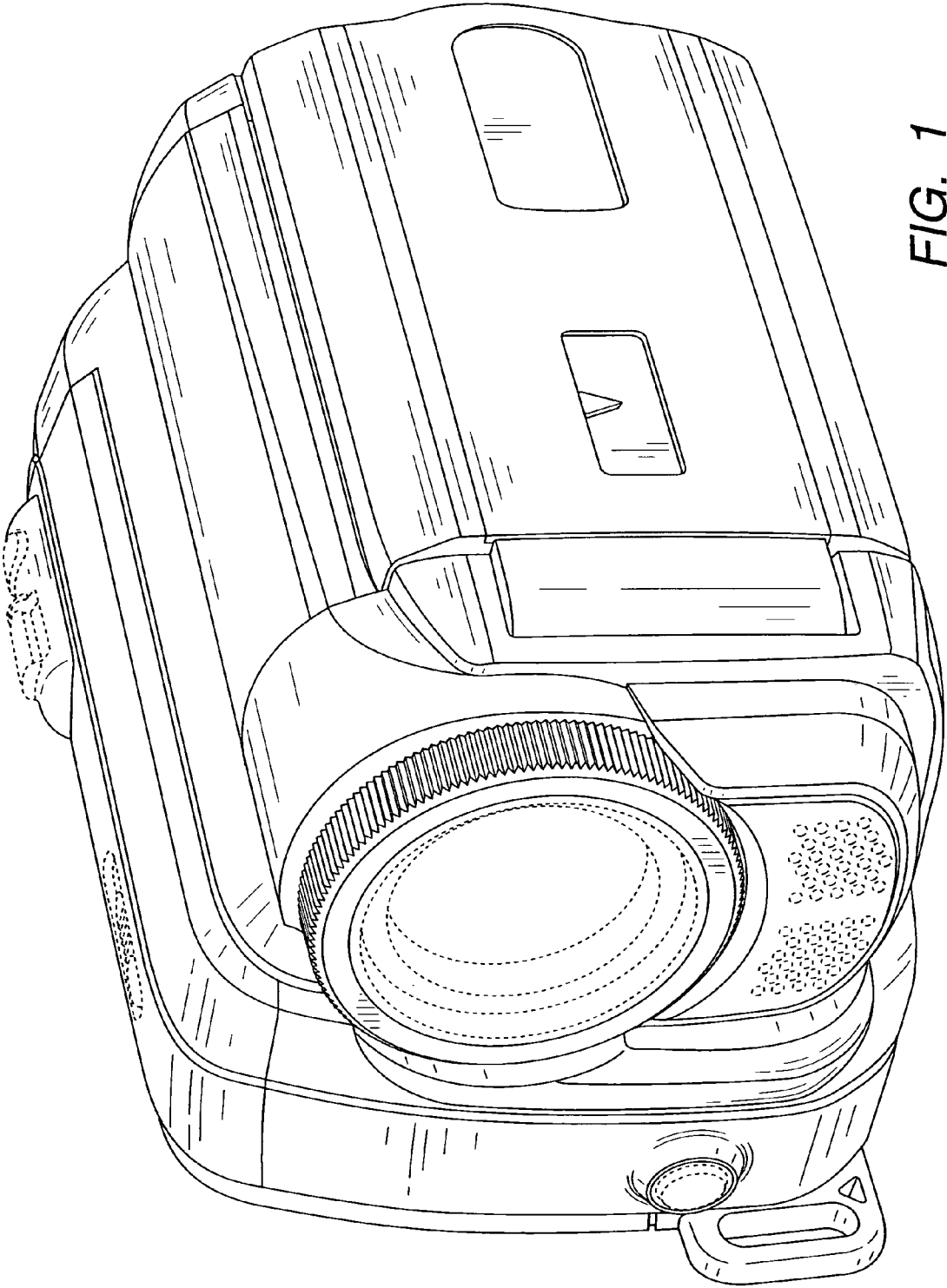


FIG. 1

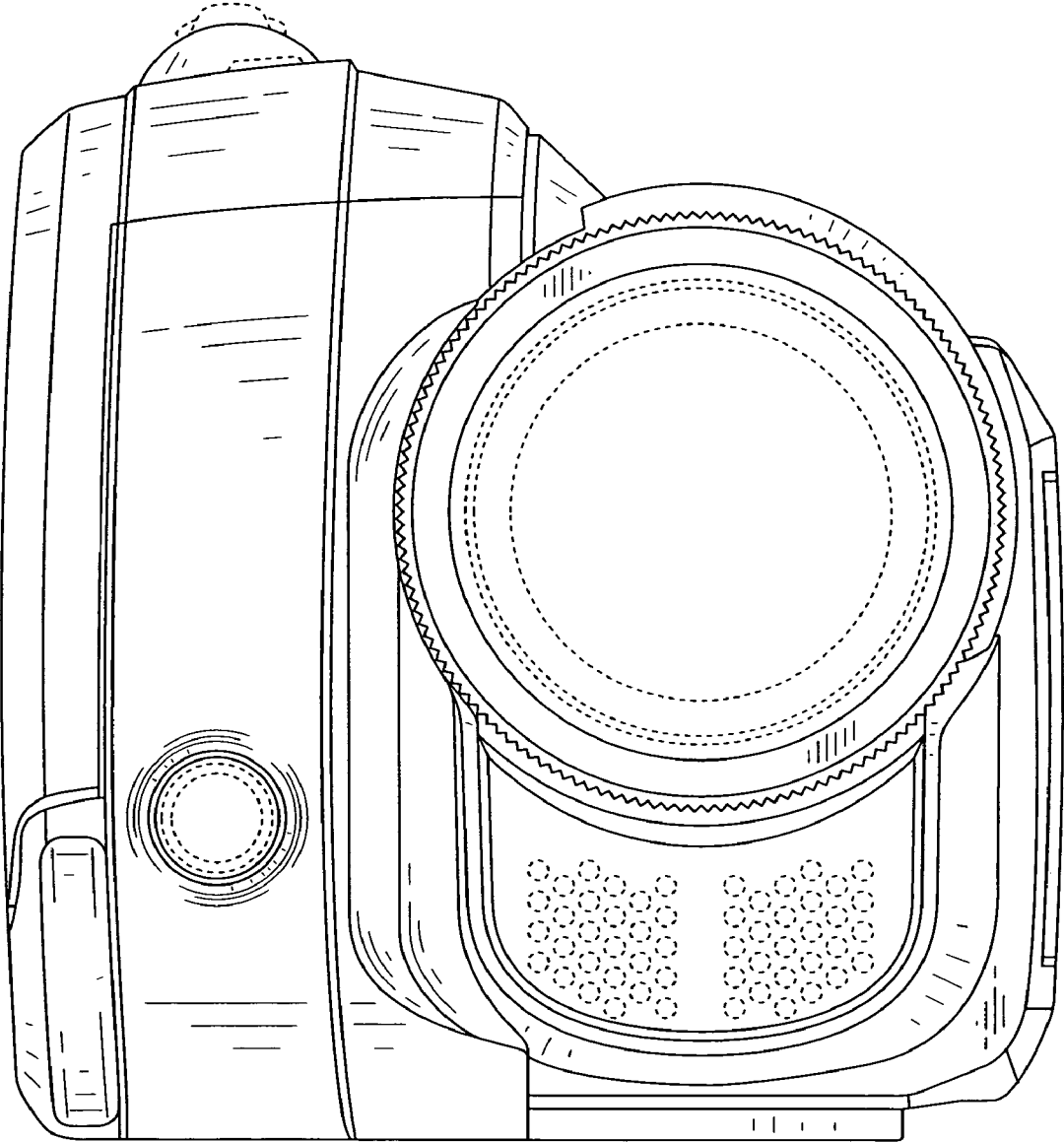


FIG. 2

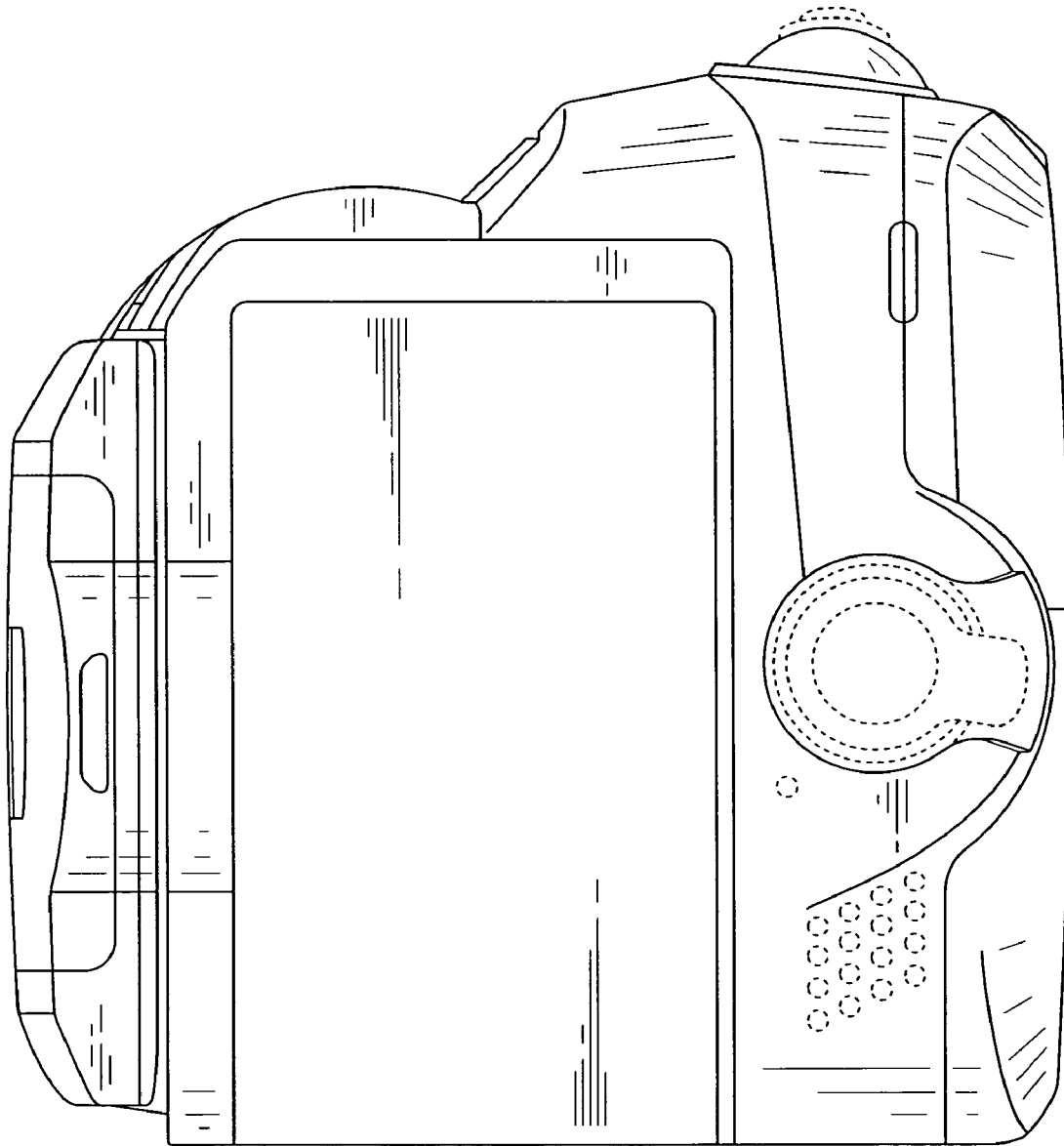


FIG. 3

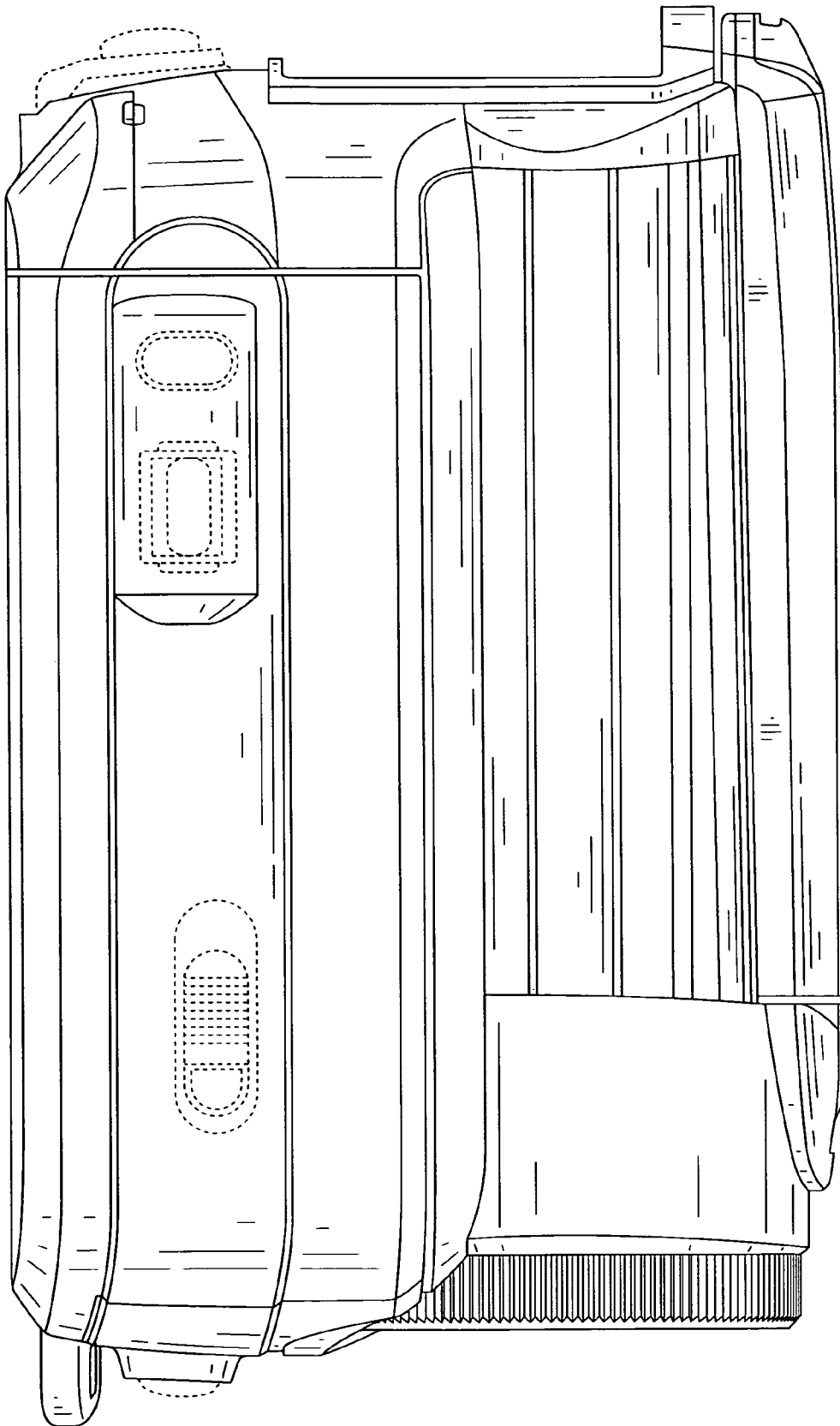


FIG. 4

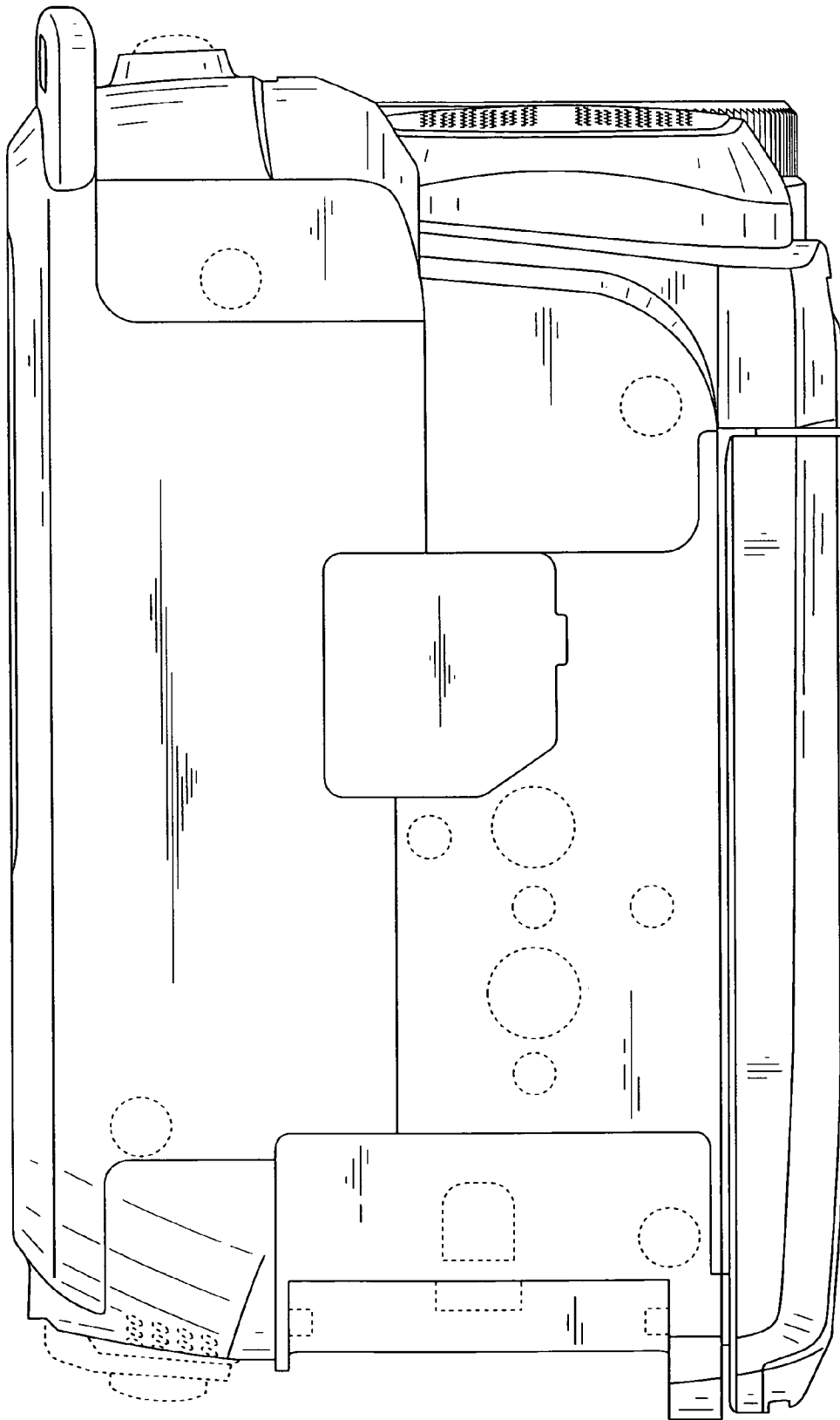


FIG. 5

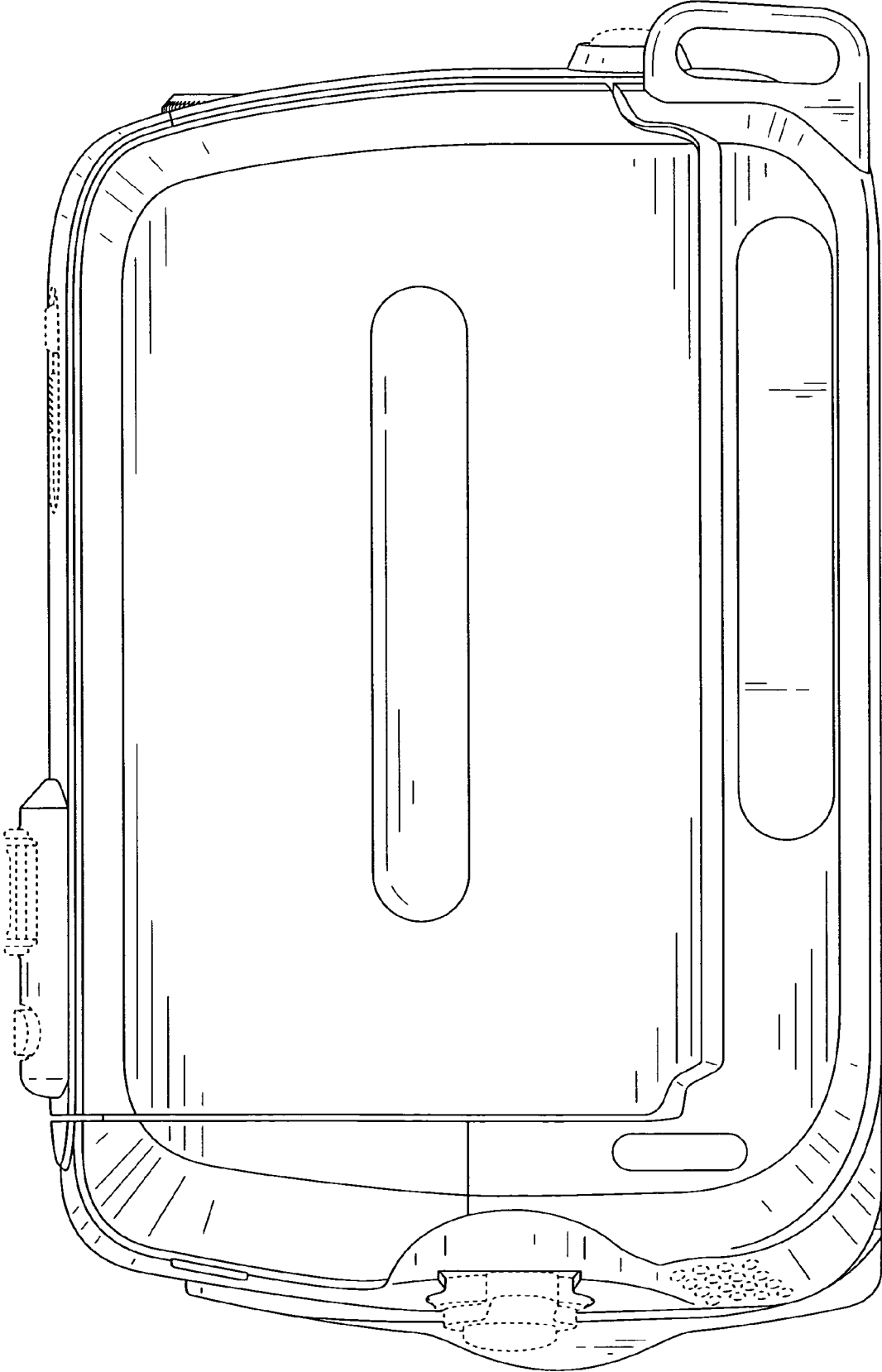


FIG. 6

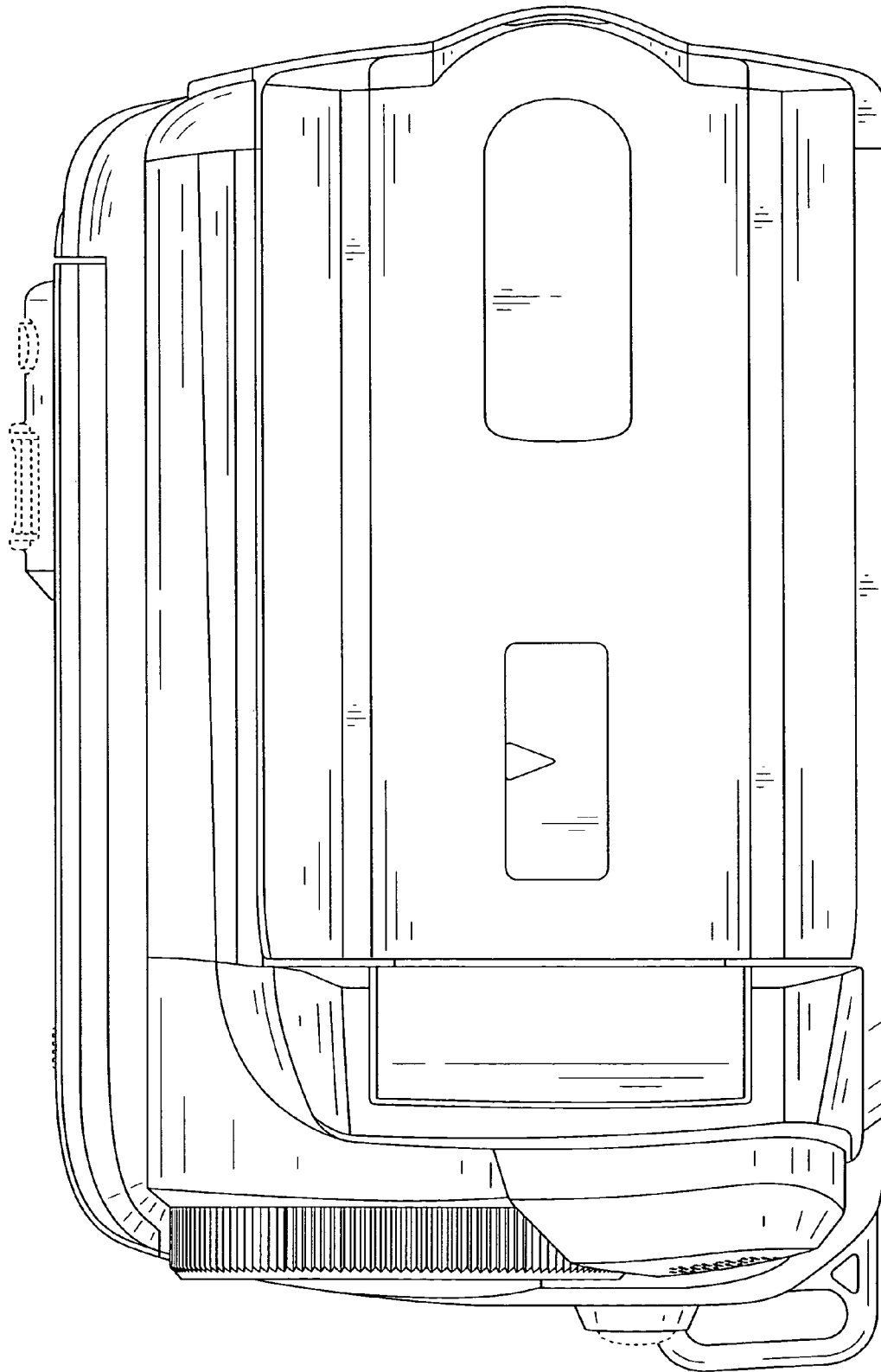


FIG. 7