



US0D1023918S

(12) **United States Design Patent**
Zhang et al.

(10) **Patent No.:** **US D1,023,918 S**

(45) **Date of Patent:** **** Apr. 23, 2024**

(54) **WIRELESS CAR CHARGER**

FOREIGN PATENT DOCUMENTS

(71) Applicant: **BEIJING XIAOMI MOBILE SOFTWARE CO., LTD.**, Beijing (CN)

CN 304553684 S 3/2018
CN 306302659 S 1/2021
KR 3010498430000 S 3/2020

(72) Inventors: **Lei Zhang**, Beijing (CN); **Fen Tang**, Beijing (CN); **Zhiyao Wang**, Beijing (CN); **Ningning Li**, Beijing (CN)

OTHER PUBLICATIONS

“Xiaomi Wireless Car Charger”. Found online May 30, 2023 at tvcmall.com. Reference dated Jun. 7, 2022. Retrieved from https://tineye.com/search/8707f98c101621fa829b536c1577539f4204e4ff?sort=crawl_date&order=asc&page=1 (Year: 2022).*

(73) Assignee: **BEIJING XIAOMI MOBILE SOFTWARE CO., LTD.**, Beijing (CN)

(Continued)

(**) Term: **15 Years**

Primary Examiner — Kendra Leslie Hamilton

Assistant Examiner — Amanda Christensen

(21) Appl. No.: **29/868,279**

(74) *Attorney, Agent, or Firm* — SYNCODA LLC; Feng Ma

(22) Filed: **Nov. 28, 2022**

Related U.S. Application Data

(62) Division of application No. 35/512,969, filed on Aug. 19, 2021 (U.S. filing date under 35 U.S.C. 384), and having an international filing date of Aug. 19, 2021.

(57) **CLAIM**

The ornamental design for a wireless car charger, as shown and described.

(30) **Foreign Application Priority Data**

Feb. 20, 2021 (CN) 202130099533.0

(51) **LOC (14) Cl.** **13-02**

(52) **U.S. Cl.**
USPC **D13/108**

(58) **Field of Classification Search**
USPC D13/103, 107, 108, 109, 110, 118, 119;
D14/251, 252, 253, 432, 434; D12/415,
D12/422, 425
CPC H02J 7/0044; H02J 7/0045; H04B 1/3877
See application file for complete search history.

DESCRIPTION

FIG. 1 is a front view of a wireless car charger showing the new design;
FIG. 2 is a back view thereof;
FIG. 3 is a left side view thereof;
FIG. 4 is a right side view thereof;
FIG. 5 is a top view thereof;
FIG. 6 is a bottom view thereof;
FIG. 7 is a perspective view thereof;
FIG. 8 is another perspective view thereof;
FIG. 9 is a partially enlarged view of FIG. 5; and
FIG. 10 is a partially enlarged view of FIG. 6.
The broken lines in the drawings depict portions of the wireless car charger that form no part of the claimed design.

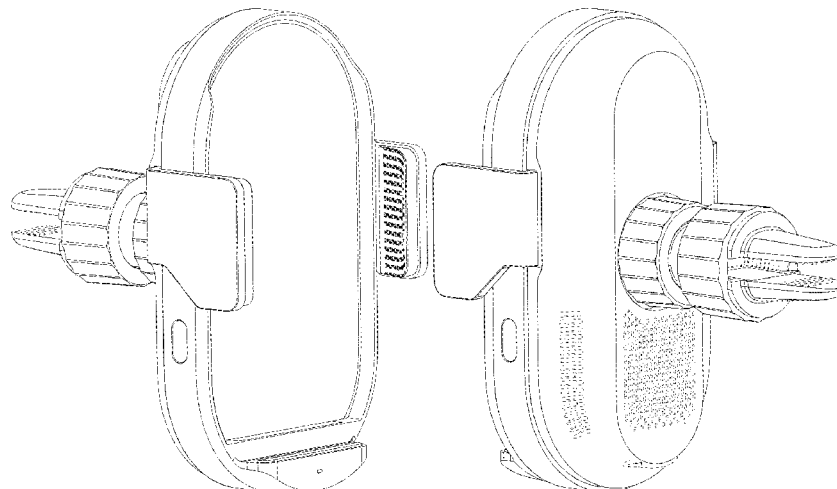
(56) **References Cited**

U.S. PATENT DOCUMENTS

D456,024 S * 4/2002 Richter D14/434
D566,118 S 4/2008 Brassard
8,099,138 B2 1/2012 Piekarz
D824,378 S 7/2018 Sukphisit

(Continued)

1 Claim, 9 Drawing Sheets



(56)

References Cited

U.S. PATENT DOCUMENTS

D848,412 S 5/2019 Greve
 D858,509 S * 9/2019 Yao D14/253
 D861,670 S * 10/2019 Li D14/253
 D864,186 S * 10/2019 Du D14/253
 D872,014 S 1/2020 Zhang
 D877,066 S 3/2020 Zhang
 D887,417 S 6/2020 Yarbough
 D895,544 S 9/2020 Zhao
 D895,601 S * 9/2020 Liao D14/253
 D895,602 S * 9/2020 Cheng D14/253
 D907,626 S 1/2021 Barnett
 D927,480 S * 8/2021 Wang D14/253
 D931,204 S * 9/2021 Liao D13/108
 D933,646 S 10/2021 Liao
 D936,644 S 11/2021 Zhang
 D955,980 S * 6/2022 Zhao D13/108
 D960,091 S 8/2022 Cheng
 D979,556 S 2/2023 Chen
 D980,207 S * 3/2023 Zheng D14/253
 2002/0190176 A1 12/2002 Louh
 2010/0295228 A1 11/2010 Woody
 2014/0353447 A1 * 12/2014 Chuang F16M 13/00
 248/274.1
 2015/0072555 A1 3/2015 Riddiford
 2019/0283685 A1 * 9/2019 Zhang F16M 11/041
 2022/0124190 A1 * 4/2022 Adelman H04M 1/04

OTHER PUBLICATIONS

“Waitiee Magnetic Wireless Charger”. Found online Jul. 26, 2022 at amazon.com. Reference dated Jan. 31, 2021. Retrieved from https://www.amazon.com/Magnetic-Wireless-WAITIEE-Adjustable-auto-Alignment/dp/B08T695GFG/ref=asc_df_B08T695GFG/. (Year: 2021).*
 “MokPR Wireless Car Charger”. Found online May 30, 2023 at amazon.com. Reference dated Nov. 4, 2021. Retrieved from <https://www.amazon.com/Wireless-Charger-Clamping-Windshield-Compatible/dp/B09L11H4CX>. (Year: 2021).*

“Xiaomi Wireless Car Charger” Found online Aug. 25, 2022 at aliexpress.com. Reference dated May 6, 2022. Retrieved from <https://www.aliexpress.com/item/3256803831766245.html>. (Year: 2022).
 “Vanmass Universal Car Phone Mount” Found online Jan. 29, 2021 at amazon.com. Reference dated Aug. 17, 2018. Retrieved from https://www.amazon.com/dp/B07G61YN8K/ref=sspa_dk_detail_4. (Year: 2018).
 “Zooaux Wireless Car Charger” Found online Apr. 8, 2022 at amazon.com. Reference dated Jun. 24, 2019. Retrieved from https://www.amazon.com/dp/B07T62NXM2/ref=sspa_dk_detail_3. (Year: 2019).
 Restriction Requirement of the U.S. Appl. No. 35/512,969, dated Sep. 29, 2022.
 “ChargeWorx Magnetic Wfireless Charging Car Mount” Found online Mar. 8, 2022 at bhphotovideo.com. Reference dated Sep. 24, 2020. Retrieved from https://www.bhphotovideo.com/c/product/1476934-REGchargeworx_cx9979bk_wireless_dash_and_vent.html/reviews. (Year: 2022). 2 pages.
 “Funxim Magnetic Wfireless Car Charger” Found online Mar. 8, 2022 at amazon.com. Reference dated Apr. 27, 2017. Retrieved from <https://www.amazon.com/Funxim-W5-Dashboard-Compatible-Smartphone/dp/8074PS76ZZ>. (Year: 2017). 4 pages.
 Non-Final Office Action of the U.S. Appl. No. 29/868,277, dated Jun. 13, 2023. 98 pages.
 “Suuson Phone Holder” Found online May 30, 2023 at amazon.com. Reference dated Aug. 9, 2022. Retrieved from <https://www.amazon.com/dp/BOB93CTCWF/?th=1>. (Year: 2022). 7 pages.
 “Anker Wfireless Charger” Found online Jan. 29, 2021 at amazon.com. Reference dated Sep. 5, 2018. Retrieved from <https://www.amazon.com/dp/B07H4CWTLJ>. (Year: 2018). 3 pages.
 Non-Final Office Action of the U.S. Appl. No. 29/868,281, dated Jun. 13, 2023. 101 pages.

* cited by examiner

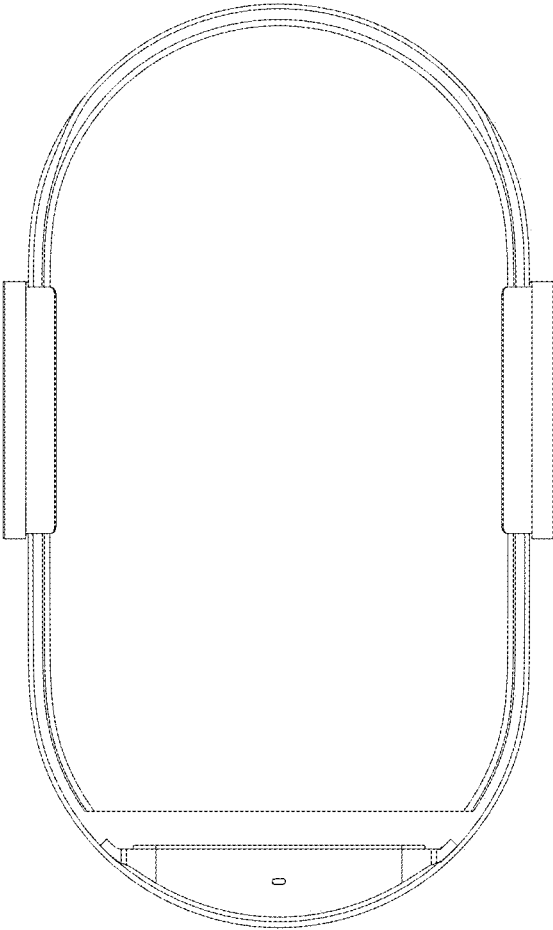


FIG. 1

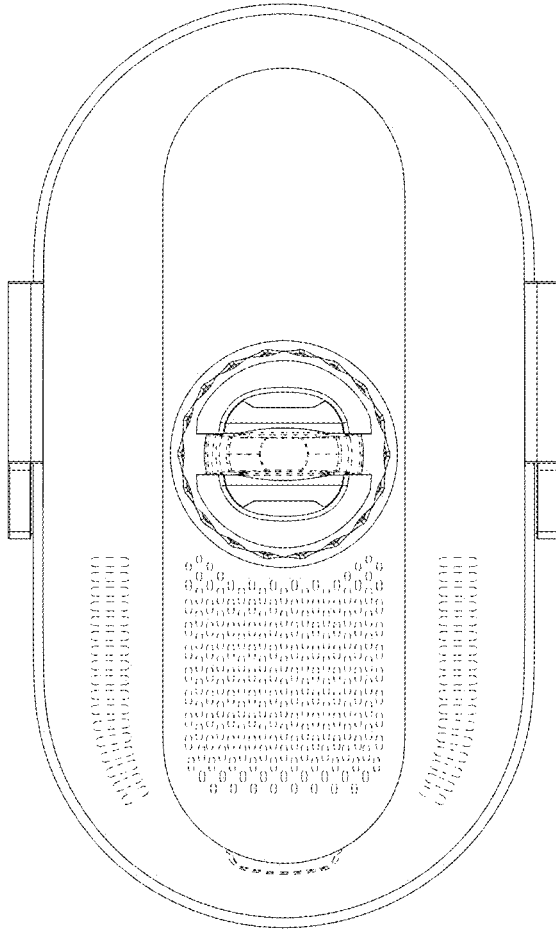


FIG. 2

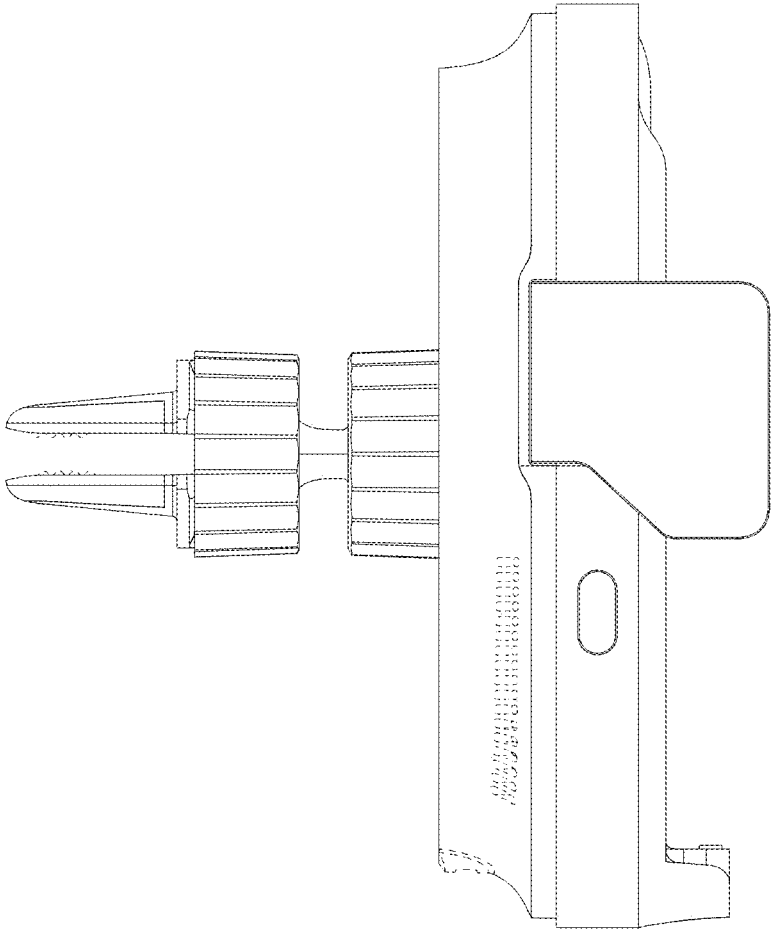


FIG. 3

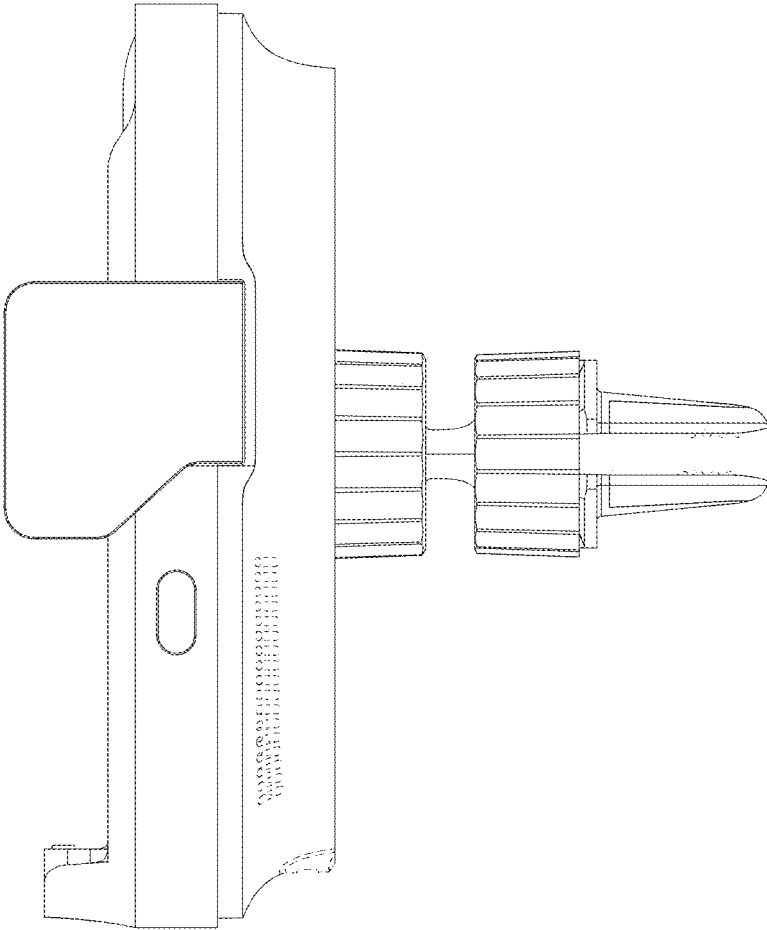


FIG. 4

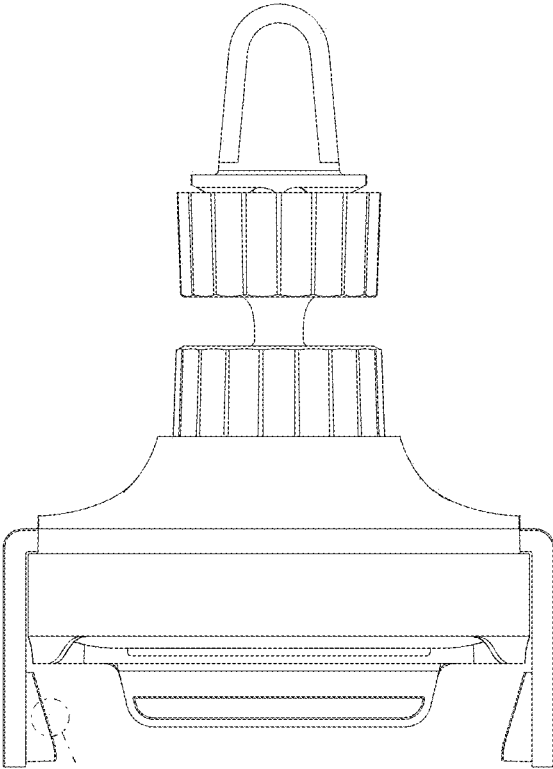


FIG. 9

FIG. 5

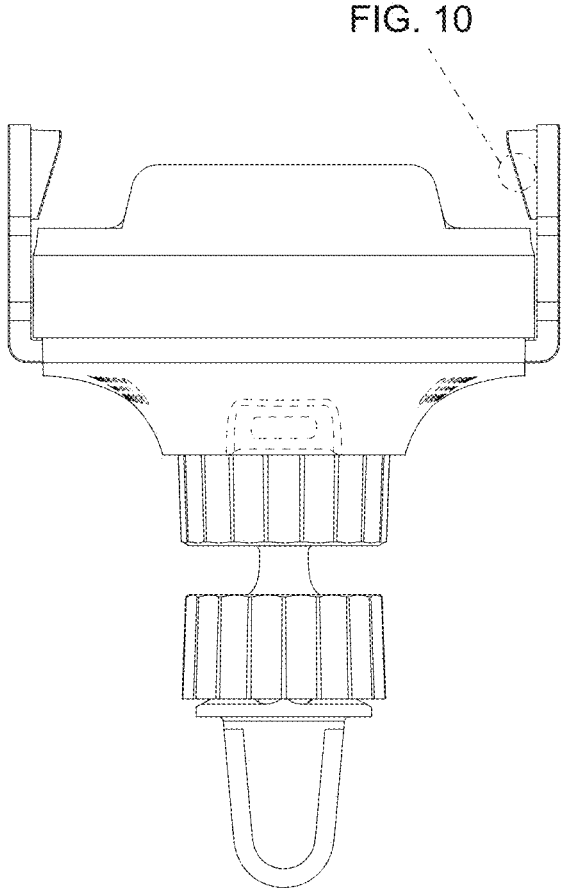


FIG. 6

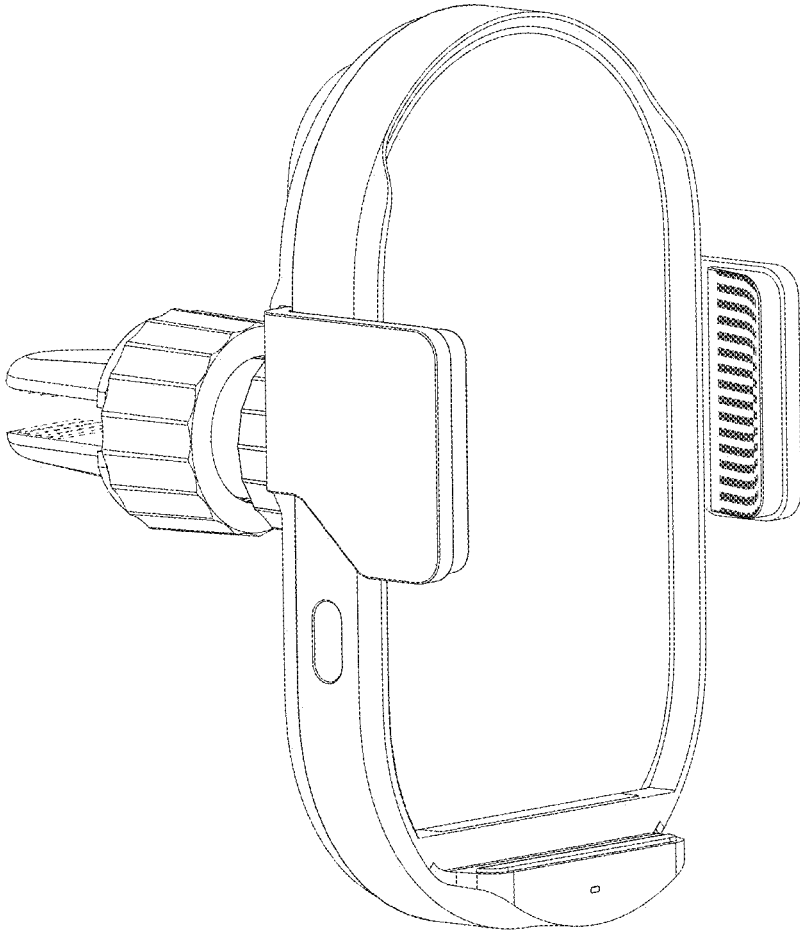


FIG. 7

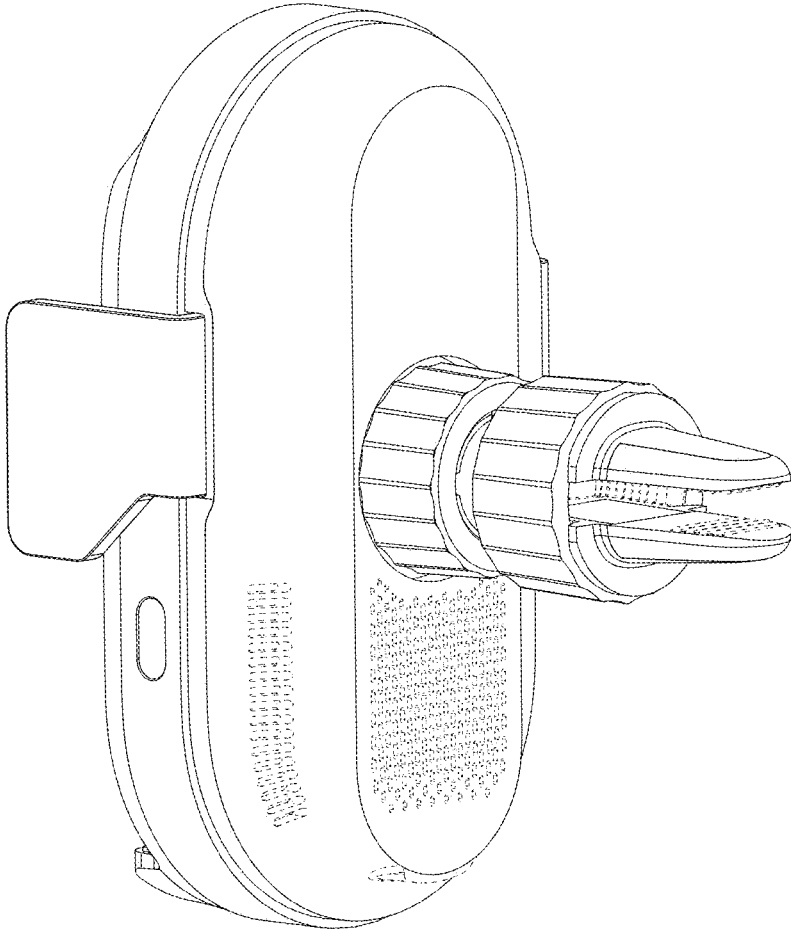


FIG. 8

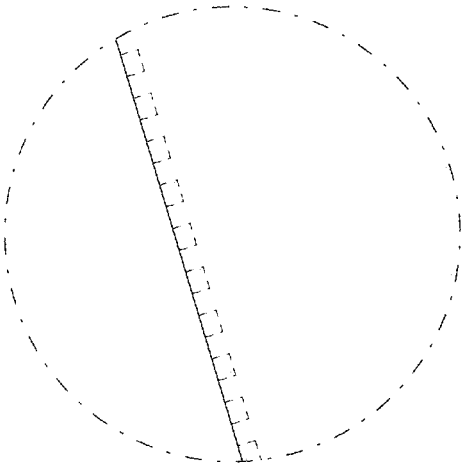


FIG. 9

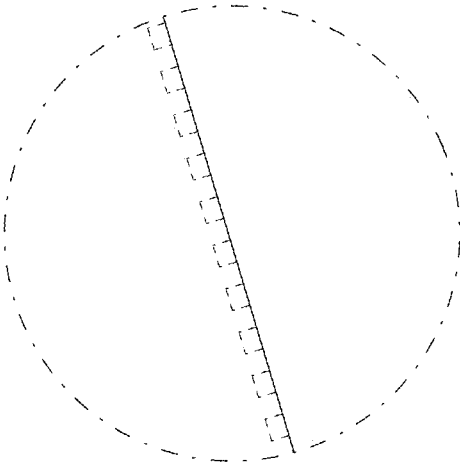


FIG. 10