



(12) **United States Design Patent**
Humphrey

(10) **Patent No.:** **US D705,877 S**
(45) **Date of Patent:** **** May 27, 2014**

(54) **TWO-PART GOLF TEE**

OTHER PUBLICATIONS

(76) Inventor: **Robert J. Humphrey**, Fallbrook, CA (US)

Fiberbuilt (R) Golf Products website display as of Jun. 27, 2009 at <http://fiberbuilt.com/golf/601.html>.

(**) Term: **14 Years**

Primary Examiner — Catherine Tuttle
(74) *Attorney, Agent, or Firm* — Mastermind IP Law P.C.; Diane L. Gardner

(21) Appl. No.: **29/406,990**

(22) Filed: **Nov. 21, 2011**

Related U.S. Application Data

(63) Continuation-in-part of application No. 12/493,201, filed on Jun. 28, 2009, now abandoned.

(51) **LOC (10) Cl.** **21-02**

(52) **U.S. Cl.**
USPC **D21/717**

(58) **Field of Classification Search**
USPC D21/717-721, 722-759, 789-796;
473/132, 387-408
See application file for complete search history.

(56) **References Cited**

U.S. PATENT DOCUMENTS

1,413,496 A	4/1922	Sibbald	
1,779,995 A	10/1930	Trane	
1,936,625 A	11/1933	Goldman	
2,079,387 A	5/1937	Sickmiller	
2,531,470 A *	11/1950	Rickard	473/396
3,406,977 A	10/1968	Voelkerding	
D216,904 S *	3/1970	Skyhawk	D21/720
3,858,878 A	1/1975	Tassone	
D266,860 S *	11/1982	Nelson	D21/717
D270,463 S *	9/1983	Minotti	D21/717
D306,751 S *	3/1990	Orton	D21/717
5,156,403 A	10/1992	Martino	
5,248,144 A	9/1993	Ullerich	
D393,301 S *	4/1998	Koskela	D21/718
5,766,100 A	6/1998	Dilmore	
5,776,014 A	7/1998	Gustine	
5,885,174 A	3/1999	Barnes	

(Continued)

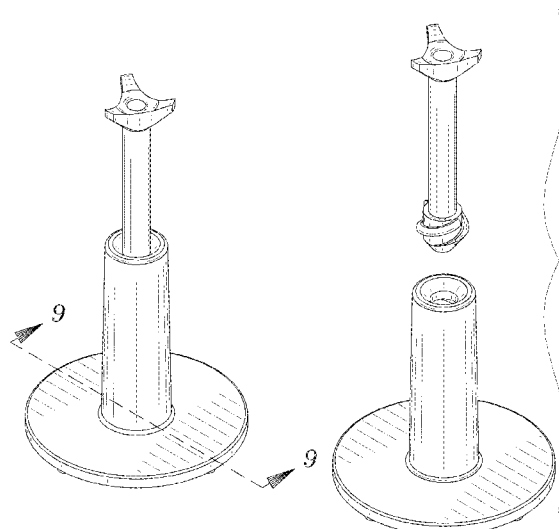
(57) **CLAIM**

The ornamental design for the two-part golf tee, as shown and described.

DESCRIPTION

FIG. 1 is an isometric view of the golf tee showing my new design in a raised position;
 FIG. 2 is an isometric view showing the design in a lowered position;
 FIG. 3 is an exploded isometric view thereof;
 FIG. 4 is an elevational view of the base component shown separated from the stem component for clarity;
 FIG. 5 is a cross sectional view along line 5-5 of FIG. 4;
 FIG. 6 is an enlarged fragmentary view of the portion of FIG. 5 indicated by circle 6;
 FIG. 7 is an isometric view of the stem component of the design shown separated from the base component for clarity;
 FIG. 8 is an enlarged fragmentary view of the portion of FIG. 7 indicated by circle 8;
 FIG. 9 is an isometric view showing the base component in cross section along 9-9 of FIG. 1, and the stem component in a raised position; and,
 FIG. 10 is an isometric view showing the base component in cross section along line 10-10 of FIG. 1, and the stem component in a lowered position.
 The appearance within the unshaded circular area showing within the top end in FIGS. 1, 3, 7, 9 & 10 forms no part of the claimed design.

1 Claim, 3 Drawing Sheets



(56)

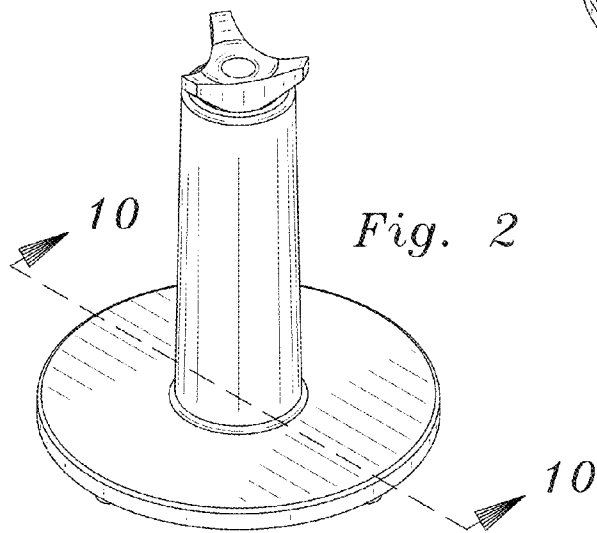
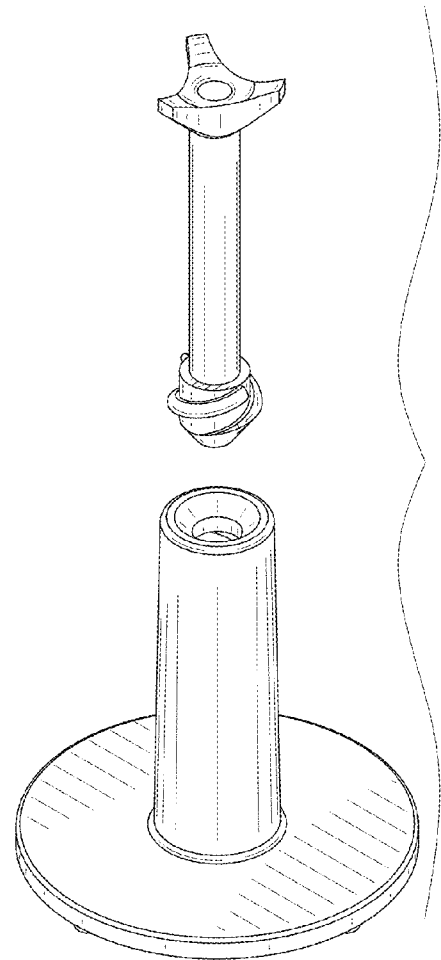
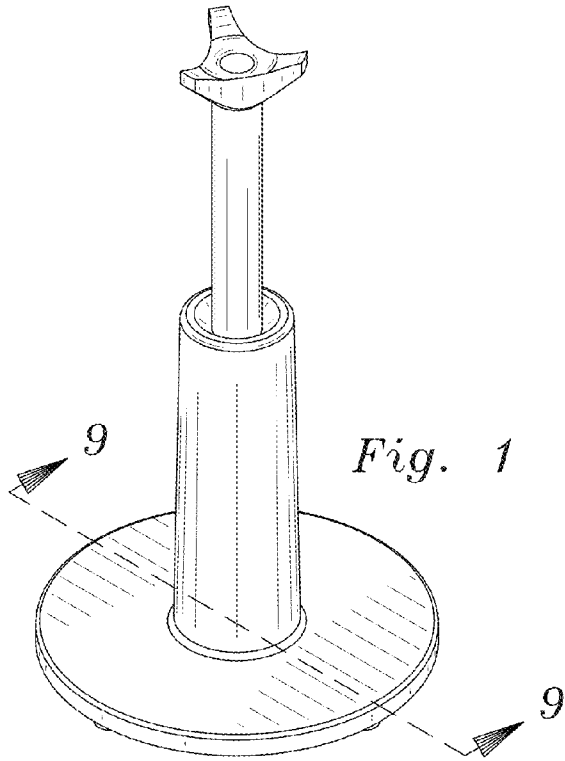
References Cited

U.S. PATENT DOCUMENTS

6,062,989 A 5/2000 Wagner et al.
 6,083,121 A 7/2000 Hovey
 6,086,486 A 7/2000 Murphy et al.
 6,110,060 A 8/2000 Spoto
 6,328,663 B1 12/2001 Lipstock
 6,659,775 B1* 12/2003 Moy 434/252
 6,949,033 B1 9/2005 Mydland
 D516,146 S * 2/2006 Iacono et al. D21/718
 D518,537 S * 4/2006 Lee et al. D21/717
 7,052,416 B2* 5/2006 Chang 473/396
 7,094,163 B2* 8/2006 Lu et al. 473/396
 D542,366 S 5/2007 Iacono

D562,420 S * 2/2008 Khamsitthisack et al. ... D21/718
 7,458,906 B2* 12/2008 Choe 473/387
 7,846,044 B2* 12/2010 Sagadevan 473/396
 2004/0132554 A1 7/2004 Schulze
 2004/0185967 A1* 9/2004 McDonough et al. 473/387
 2005/0181893 A1 8/2005 Slaven
 2005/0245330 A1 11/2005 Gustine
 2005/0277489 A1 12/2005 Choe
 2006/0001310 A1 1/2006 Crafts et al.
 2006/0035727 A1 2/2006 Butterworth
 2006/0105859 A1 5/2006 Thirkettle
 2008/0102988 A1 5/2008 Sagadevan
 2009/0136319 A1 5/2009 Panasik
 2009/0137345 A1 5/2009 Sagadevan

* cited by examiner



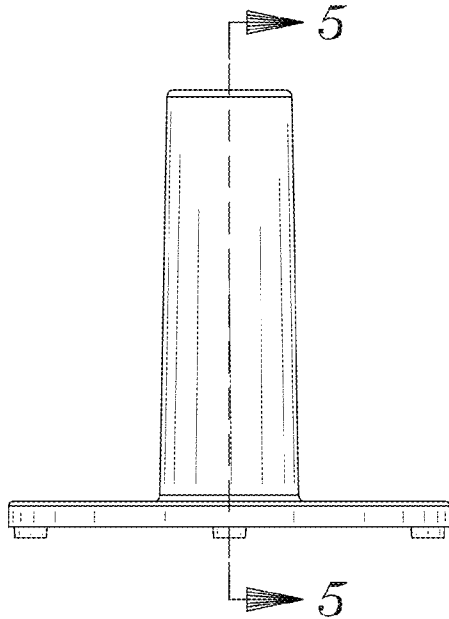


Fig. 4

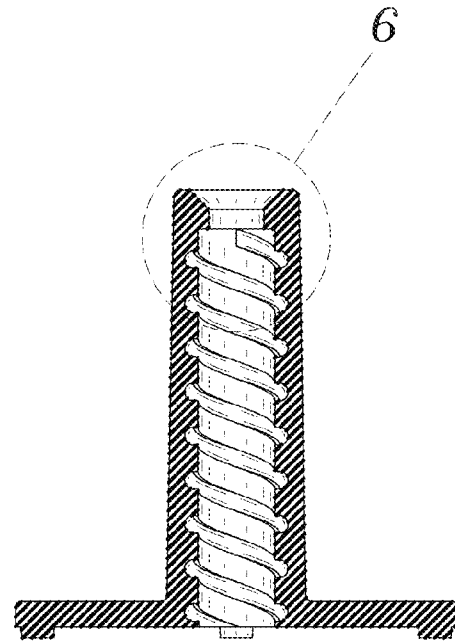


Fig. 5

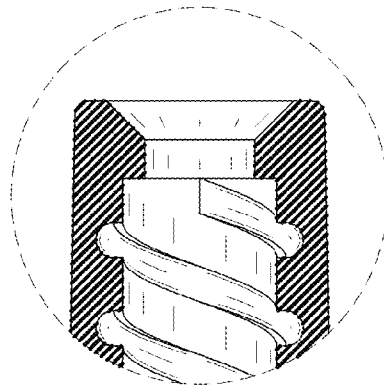


Fig. 6

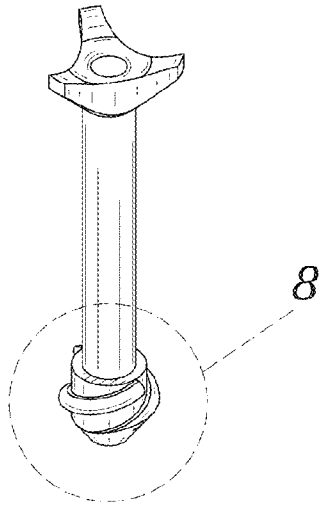


Fig. 7

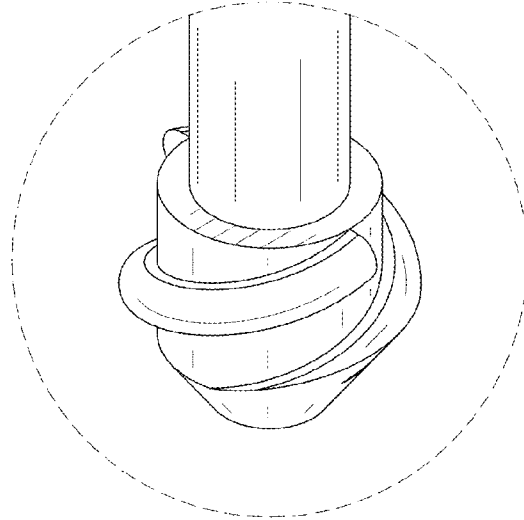


Fig. 8

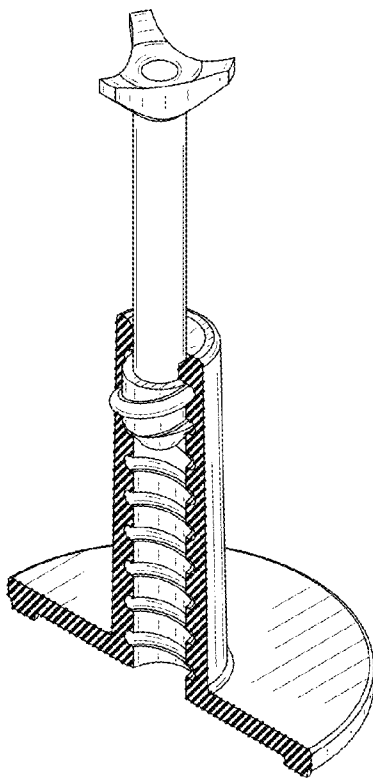


Fig. 9

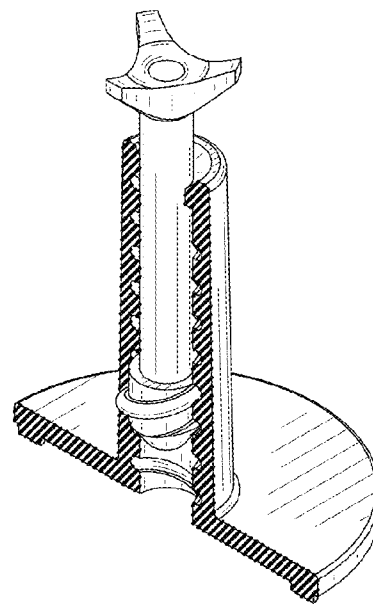


Fig. 10