

(19) World Intellectual Property Organization
International Bureau



(43) International Publication Date
27 May 2004 (27.05.2004)

PCT

(10) International Publication Number
WO 2004/044816 A1

(51) International Patent Classification⁷: G06F 19/00, B28B 1/14

(IL). KRITCHMAN, Eliahu M. [IL/IL]; 56 Mota Gur Street, 69012 Tel Aviv (IL).

(21) International Application Number: PCT/IL2003/000955

(74) Agents: EITAN, PEARL, LATZER & COHEN-ZEDEK et al.; 2 Gav Yam Center, 7 Shenkar Street, 46725 Herzlia (IL).

(22) International Filing Date: 12 November 2003 (12.11.2003)

(81) Designated States (national): AE, AG, AL, AM, AT, AU, AZ, BA, BB, BG, BR, BW, BY, BZ, CA, CH, CN, CO, CR, CU, CZ, DE, DK, DM, DZ, EC, EE, EG, ES, FI, GB, GD, GE, GH, GM, HR, HU, ID, IL, IN, IS, JP, KE, KG, KP, KR, KZ, LC, LK, LR, LS, LT, LU, LV, MA, MD, MG, MK, MN, MW, MX, MZ, NI, NO, NZ, OM, PG, PH, PL, PT, RO, RU, SC, SD, SE, SG, SK, SL, SY, TJ, TM, TN, TR, TT, TZ, UA, UG, US, UZ, VC, VN, YU, ZA, ZM, ZW.

(25) Filing Language: English

(26) Publication Language: English

(30) Priority Data: 60/425,250 12 November 2002 (12.11.2002) US

(84) Designated States (regional): ARIPO patent (BW, GH, GM, KE, LS, MW, MZ, SD, SL, SZ, TZ, UG, ZM, ZW), Eurasian patent (AM, AZ, BY, KG, KZ, MD, RU, TJ, TM), European patent (AT, BE, BG, CH, CY, CZ, DE, DK, EE, ES, FI, FR, GB, GR, HU, IE, IT, LU, MC, NL, PT, RO, SE, SI, SK, TR), OAPI patent (BF, BJ, CF, CG, CI, CM, GA, GN, GQ, GW, ML, MR, NE, SN, TD, TG).

(71) Applicant (for all designated States except US): OBJET GEOMETRIES LTD. [IL/IL]; 2 Holtzman Street, Kiryat Weizmann Science Park, 76124 Rehovot (IL).

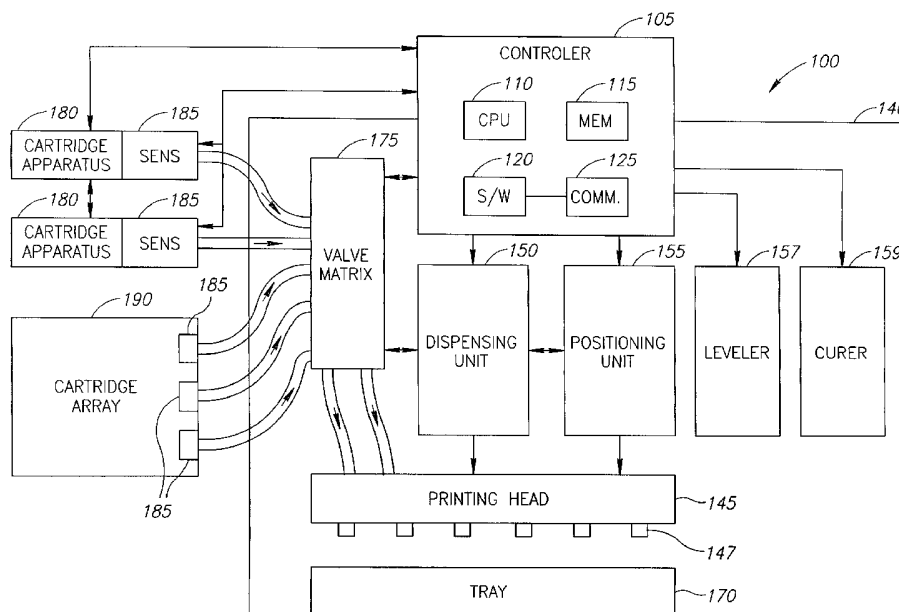
(72) Inventors; and

(75) Inventors/Applicants (for US only): MENCHIK, Guy [IL/IL]; 42 Asher Street, 43553 Ra'anana (IL). GOTHAIT, Hanan [IL/IL]; 3 Paldi Street, 76248 Rehovot

Published: with international search report

[Continued on next page]

(54) Title: THREE-DIMENSIONAL OBJECT PRINTING



(57) Abstract: Apparatus and method for controlling modeling material supply in a three-dimensional object-printing system (100). The apparatus may include one or more cartridges (180) containing modeling materials that may be connected via a set or matrix of valves (175) to the three-dimensional object printing system (100). Sensors (185) associated with the cartridges (180) may continuously or periodically monitor the status of the material within the cartridges. The controller receives data about the material presently available in each cartridge (180) and computes supply parameters for the available materials in the various cartridges (180).

WO 2004/044816 A1



-
- *before the expiration of the time limit for amending the claims and to be republished in the event of receipt of amendments*
- For two-letter codes and other abbreviations, refer to the "Guidance Notes on Codes and Abbreviations" appearing at the beginning of each regular issue of the PCT Gazette.*

THREE-DIMENSIONAL OBJECT PRINTING

5

FIELD OF THE INVENTION

[001] The present invention relates to apparatuses and methods useful in three-dimensional object printing. Specifically, embodiments of the present invention relate to systems, methods, and apparatuses for management of the supply of modeling materials for use in three-dimensional object printing.

10

BACKGROUND OF THE INVENTION

[002] Three-dimensional (3D) printing is a process used for the printing of three-dimensional objects, for example by printing or building parts of such models in layers. Such 3D models may be used, for example, for production of prototype parts and/or tools for use in the manufacturing of 3D products or models.

[003] Various systems have been developed for computerized three-dimensional printing, wherein material for object printing is deposited in consecutive layers according to a pre-determined configuration or in selected arrays as defined by, for example, a Computer Aided Design (CAD) system connected to the printing systems. Such materials may include materials for constructing an object and materials used for constructing support structures for an object.

[004] Some three-dimensional printers utilize a printing head, for example an ink-jet type printing head, through which material for printing three-dimensional objects is jetted. The printing head may draw material from a reservoir containing the material. The reservoir may be connected to the printing head, and may supply the material via a tube or tubes to the printing head. A common type of reservoir may consist of a container, such as a cartridge, containing building material. Other types of reservoirs and feed systems may be used.

[005] The printing of a given three-dimensional object may require a finite and calculable amount of building material for completion. It may be advantageous to have a

system for efficiently managing the supply of materials for usage during a printing process.

SUMMARY

5 [006] Embodiments of the present invention provide an apparatus and method for management and control of the supply of building materials in three-dimensional object-printing apparatuses. A printing system, according to some embodiments of the present invention, may include a controller, a printing apparatus, and a cartridge, container or supply system that may include a sensor to measure the status of building material in
10 the cartridge. In other embodiments the 3D printing apparatus may include a system such as a set of valves or a valve matrix to control supply of building materials from at least one cartridge apparatus or supply system to the printing apparatus.

[007] According to some embodiments of the present invention, management and control of materials may be achieved by measuring data on the status of building material in at
15 least one printing cartridge or supply system, and processing the building material status data to determine parameters of the building material. The printing controller may further determine supply parameters of the building material, and control the supply of the building material from two or more cartridges according to the supply parameters. In some embodiments, the printing controller may send messages to an operator.

20

BRIEF DESCRIPTION OF THE DRAWINGS

[008] The principles and operation of the system, apparatus, and method according to the
25 present invention may be better understood with reference to the drawings, and the following description, it being understood that these drawings are given for illustrative purposes only and are not meant to be limiting, wherein:

[009] FIG. 1 is a block diagram of a 3D printer system according to an exemplary embodiment of the present invention;

[0010] FIG. 2 is a schematic illustration of a cartridge apparatus according to an exemplary embodiment of the present invention;

[0011] FIG. 3 is a graphical illustration of a cartridge inner bag according to an exemplary embodiment of the present invention;

5 [0012] FIG. 4 is a schematic illustration of an array of cartridges according to an exemplary embodiment of the present invention;

[0013] FIG. 5 is a schematic illustration of a cartridge housing and associated components according to an exemplary embodiment of the present invention; and

[0014] FIG. 6 is a flow chart illustration of an exemplary method to control
10 material supply to a 3D printing apparatus according to an embodiment of the present invention.

[0015] It will be appreciated that for simplicity and clarity of illustration, elements shown in the drawings have not necessarily been drawn to scale. For example, the dimensions of some of the elements may be exaggerated relative to other elements for
15 clarity. Further, where considered appropriate, reference numerals may be repeated among the drawings to indicate corresponding or analogous elements throughout the serial views.

DETAILED DESCRIPTION

20 [0016] The following description is presented to enable one of ordinary skill in the art to make and use the invention as provided in the context of a particular application and its requirements. Various modifications to the described embodiments will be apparent to those with skill in the art, and the general principles defined herein may be applied to other embodiments. Therefore, the present invention is not intended to be limited to the
25 particular embodiments shown and described, but is to be accorded the widest scope consistent with the principles and novel features herein disclosed. In other instances, well-known methods, procedures, and components have not been described in detail so as not to obscure the present invention.

[0017] It is noted that the term "building material" as used herein may include
30 model or "modeling" material, support material, and/or any suitable combination of model

material and/or support material, used in the building, forming, modeling, printing or other construction of three-dimensional (3D) objects or models. Building material may include material used to create models, material used to modify such material (e.g., dyes, fillers, etc), support material, or other material used in the creation of objects, whether or not
5 appearing in the final object.

[0018] In some 3D printing systems completion of a 3D object may take, for example, a number of hours, during which time the building material from one or more supply sources (e.g., cartridges, reservoirs, bags, etc.) may run dry or be depleted. According to some embodiments of the present invention, the building material sources
10 required for object printing, for example one or more three dimensional building material storage containers such as printer cartridges or other suitable sources, may be monitored and, for example, the supply of materials may be controlled so as to provide building materials on demand. In addition, the supply of building materials of multiple colors or types required for the printing of a given object may be monitored and selectively
15 controlled. Embodiments of the present invention may provide apparatuses and methods for management and control of the supply of material or materials required for the printing of three-dimensional prototype objects, such as models, in three-dimensional printing systems. In some embodiments, such control apparatuses and methods may help to ensure continuous and uninterrupted supply of required material(s) to a 3D printing apparatus,
20 and may negate the necessity for manual monitoring of materials and on-hand replacement of containers during printing.

[0019] The printing system and system components according to embodiments of the present invention may be similar to and use or be based on aspects of embodiments described in United States Patent Numbers 6,259,962, issued March 1, 1999, titled
25 "APPARATUS AND METHOD FOR THREE DIMENSIONAL MODEL PRINTING"; and 6,569,373, issued May 27, 2003, titled "COMPOSITIONS AND METHODS FOR USE IN THREE DIMENSIONAL MODEL PRINTING", as well as United States Patent Applications Numbers 09/412,618, filed October 6, 1999, titled "SYSTEM AND METHOD FOR THREE DIMENSIONAL MODEL PRINTING"; 10/424,732, filed April
30 29, 2003, titled "COMPOSITIONS AND METHODS FOR USE IN THREE DIMENSIONAL MODEL PRINTING"; 10/101,089, filed March 20, 2002, titled "SYSTEM AND METHOD FOR PRINTING AND SUPPORTING THREE

DIMENSIONAL OBJECTS”; 09/484,272, filed January 18, 2000, titled “SYSTEM AND METHOD FOR THREE DIMENSIONAL MODE”; and/or 10/336,032, filed January 3, 2003, titled “DEVICE, SYSTEM AND METHOD FOR ACCURATE PRINTING OF THREE DIMENSIONAL OBJECTS”, all assigned to the common assignee of the present invention and fully incorporated herein by reference. However, the printer system according to some embodiments of the present invention may also have other configurations and/or other methods of operation. For example, the printer system according to the present invention may include more than one printing head, and/or more than one material dispenser, positioner, curer, imager, illuminator, leveler, sensor, cartridge, cartridge valve, etc. In further embodiments, layer-by-layer deposition need not be used, and other curing or solidifying methods may be used.

[0020] FIG. 1 is a block diagram of a 3D printer system 100 according to an exemplary embodiment of the present invention. 3D printer system 100 may include, for example, a controller 105, printing apparatus 140, and one or more three dimensional modeling material supply sources such as cartridge apparatuses 180 or cartridge arrays 190. In a typical configuration, a set of cartridge apparatuses outside of cartridge arrays is not used with a separate cartridge array, but such a configuration is within the scope of the invention.

[0021] Controller 105 may include, for example, a processor 110, a memory unit 115, software code 120, and a communications unit 125. Other configurations may be used for a controller or control unit. Control functionality may be spread across units, and not all control functionality may be within system 100. For example, a separate unit, such as a personal computer or workstation, or a processing unit within a supply source such as a cartridge may provide some control or data storage capability. Communications unit 125 may, for example, enable transfer of data and instructions between controller 105 and printing apparatus 140, and/or between controller 105 and one or more cartridge apparatuses 180 or cartridge arrays 190.

[0022] Printing apparatus 140 may include for example a printing head 145, a material dispenser 150, a positioner 155, a printing tray 170, a set of valves (wherein set may include one item) such as a valve matrix 175, a leveler 157, and curer 159 and any other suitable components. Printing apparatus 140 may include other suitable combinations of components.

[0023] Material supply sources, such as cartridge apparatus 180, may be situated within printing apparatus 140 or external to printing apparatus 140, and may be situated in a separate unit connected to printing apparatus 140. One or more cartridge arrays 190 may be situated in one or more independent units, connectable to printing apparatus 140. One or more cartridge apparatuses 180 and/or cartridge arrays 190 may be connected to valve matrix 175 or other set of valves via, for example, tubes carrying building material. Cartridge apparatuses 180 and/or cartridge arrays 190 may include one or more sensors 185 for each cartridge, to determine the status of the modeling material in one or more cartridges. Cartridge apparatus 180 may provide, for example, model material and/or support material for use by printing apparatus 140, to print 3D objects. Suitable material supply units other than cartridges may be used; for example, storage tanks, internal refillable tanks, bags or other units without external casings, etc. One or more sensors 185 may be part of cartridge apparatus 180.

[0024] Controller 105 may utilize Computer Object Data (COD) representing an object or a model, such as CAD data in Stereo Lithography (STL) format. Other data types or formats may be used. Controller 105 may convert such data to instructions for the various units within 3D printer system 100 to print a 3D object. Controller 105 may be located inside printing apparatus 140 or outside of printing apparatus 100. Controller 105 may be located outside of printing system 100 and may communicate with printing system 100, for example, over a wire and/or using wireless communications. In some embodiments, controller 105 may include a CAD system. In alternate embodiments, controller 105 may be partially external to 3D printer system 100. For example, an external control or processing unit (e.g., a personal computer, workstation, computing platform, or other processing device) may provide some or all of the printing system control capability.

[0025] In some embodiments, a printing file or other collection of print data may be prepared and/or provided and/or programmed, for example, by a computing platform connected to 3D printer system 100. The printing file may be used to determine, for example, the order and configuration of deposition of building material via, for example, movement of and-activation and/or non-activation of one or more nozzles 147 of printing head 145, according to the 3D object to be built.

[0026] Controller 105 may be implemented using any suitable combination of hardware and/or software. In some embodiments, controller 105 may include, for example, a processor 110, a memory 115, and software or operating instructions 120. Processor 110 may include conventional devices, such as a Central Processing Unit (CPU), a microprocessor, a “computer on a chip”, a micro controller, etc. Memory 115 may include conventional devices such as Random Access Memory (RAM), Read-Only Memory (ROM), or other storage devices, and may include mass storage, such as a CD-ROM or a hard disk. Controller 105 may be included within, or may include, a computing device such as a personal computer, a desktop computer, a mobile computer, a laptop computer, a server computer, or workstation (and thus part or all of the functionality of controller 105 may be external to 3D printer system 100). Controller 105 may be of other configurations, and may include other suitable components.

[0027] Controller 105 may receive data from one or more material supply sources, and control the supply of building material to printing apparatus 140, for example, by controlling the extraction or flow of materials from the printing material sources, such as printing cartridges. For example, controller 105 may use software code 120 to process data related to the status of building material in one or more supply sources to compute material parameters for building material(s), material required to construct one or more objects, and supply parameters for materials in one or more cartridges. For example, material status data may indicate types, volumes, masses, or other measures, quality, status etc. of building material in one or more supply sources. For example, material parameters may indicate potential yields during printing usage etc. For example, computations of material required may indicate how much material from one or more material supply sources may be used in constructing one or more objects. For example, supply parameters may indicate or help determine, by controller 105 and/or one or more operators, whether or not to use building material from at least one selected cartridge or other source (e.g., to prevent the need for a source switch during an object build), when to extract building material from one or more cartridges, and how much building material to extract from one or more cartridges at any given time, according to the requirements of printing apparatus 140 for a particular object being printed. Controller 105 may be suitably coupled and/or connected to various components of printing apparatus 140, to one or more cartridge apparatuses 180, and to one or more cartridge arrays 190. For example, controller 105

may control valves, pumps, switches, compression or inflation devices, positioning units, dispensing units, leveling devices, curing devices, or any other system components.

[0028] Reference is now made to **Fig. 2**, which is a schematic illustration of an exemplary material supply source, such as, for example, cartridge apparatus 200 according to some embodiments of the present invention. Cartridge apparatus 200, which may be integrated into printing system 100, may include a cartridge housing or holder 210, to house a typically disposable cartridge 250, which may store building material required by printing apparatus 140. Cartridges or supply units need not be disposable. Building material may include any suitable kind of object building material, such as, for example, photopolymers, wax, powders, plastics, metals, and may comprise model material or support material or any combination of model and support material, or other suitable 3D object printing materials. Building material may be inserted within cartridge 250 and/or removed from cartridge 250. In other embodiments a cartridge apparatus may be an apparatus to hold, store or interface with supply units other than cartridges. Cartridge housings or receiving units of other forms may be used.

[0029] In some embodiments of the present invention, the model and support materials used for construction of the 3D object are in a liquid form. Such materials may be similar to those described in embodiments of US Patent Number 6,569,373 and US Patent Application Numbers 09/412,618 and 10/424,732, all of the same Assignee, and incorporated herein by reference. In an exemplary embodiment of the present invention, the model and/or support materials used are photopolymers that may contain material curable by electro-magnetic radiation and/or electron beams etc. The materials may come in different forms, textures, colors, etc. Other materials may be used.

[0030] Cartridge holder or housing 210 may be constructed to house cartridge 250. Cartridge 250 may include a handle 265 on one end for easy manual handling, and one or more apertures (not shown) on one or more sides, through which tubes or other components may extrude or be inserted. Cartridge housing 210 may include an interface unit or memory device reader, such as a memory chip reader 225 that may be connected to printing controller 105, to read data from one or more memory devices such as memory chips or other data storage units associated with cartridge 250, and transfer data to controller 105. Other suitable data interface units or data storage units may be used. For example, chips need not be used. Cartridge housing 210 may include a connection unit,

for example, load cell 230, which may, for example, include one or more sensors (e.g., sensor 185) to gauge mechanical load properties. Load cell 230 may, for example, secure cartridge housing 210 to printing system 100, translate mechanical load of cartridge 250 to voltage, transmit signals to controller 105 and/or execute other suitable functions.

5 Controller 105 may, for example, translate a signal sent from load cell 230 into weight (mass) status data or other suitable data, thus, for example, helping to determine the status of building material within a cartridge at any given time. One or more sensors, for example, weight sensors, may be located within load cell 230, however sensors need not be located in load cell 230. Other suitable sensors, such as volume sensors, may be used.

10 [0031] Cartridge housing 210 may be connected to the printing apparatus 140 via, for example, a connection mechanism 245, or any other suitable connection mechanism. Cartridge housing 210 may include a cartridge-sensing unit (e.g., 550 in Fig. 5), which for example may sense whether or not a cartridge 250 is in place within cartridge housing 210, and may transmit this data to controller 105. Sensors (e.g., sensors 185 in Fig. 1),

15 which may be located within load cell 230, may continually or periodically gauge the status of material within cartridge 250 or of cartridge 250. Sensors 185 may gauge the mass of cartridge 250 or of a portion of cartridge 250 thereby indicating the mass of building material within cartridge 250. Data from sensors 185 may be transferred to processor 110, optionally by load cell 230. Load cell 230 may be situated anywhere on

20 cartridge housing 210, for example, on top of cartridge housing 210, beneath housing 210, or on any other part of the housing, to enable gauging and/or translating of mechanical load characteristics of a cartridge 250 housed in cartridge holder 210 into electrical signals, for example, for transmission to controller 105. Cartridge holder 210 may be transparent, opaque, or impervious to light. Load cell 230 may be connected to controller

25 105 by for example a cable connection or any other suitable connection. Other suitable devices and methods for gathering data about materials may be used.

[0032] Cartridge 250 may be, for example, flexible, disposable, and replaceable. Reusable supply sources may also be used. Cartridge 250 may have, for example, an external rigid and/or inflexible casing or shell 255, and an internal material holder such as

30 a bag. External casing need not be inflexible, and other numbers and combinations of shells or casing/holders may be used. An example of an internal bag of cartridge 250 can be seen with reference to Fig. 3, which is a graphical illustration of an inner cartridge bag

300 in an inflated state, which may contain building material, for example, model and/or support material, to be used by printing apparatus 140. Cartridge bag 300 may be constructed, for example, from flexible and typically impermeable material, such as flexible and impermeable metallic material or any other suitable flexible and impermeable material, and may be transparent, opaque or impenetrable to light. Internal bag 300 may include an inner tube 310, which may be, for example, a rubber-sealed protruding tube through which the building material may be drawn or channeled. Tube 310 may protrude outside of bag 300 for connection to tubing of printing apparatus 140. The protruding end of inner tube 310 may extend through an aperture/s (not shown) in external cartridge shell 255 of cartridge 250. For example, inner tube 310 may have a sloping shape that may be placed with one end extending from the lowest point of inner bag 300, and the other end protruding through another end 315 of bag 300. Other configurations for cartridges or material supply systems may be used. For example, cartridge units or material supply units need not use internal holders or bags. Tubes need not be included within storage devices.

[0033] When cartridge 250 is inserted into cartridge housing 210, tube 310 may be punctured by, for example, a needle or other piercing or cutting unit connected to cartridge housing 210, thereby enabling material flowing or being moved through tube 310 to flow or be moved through the tubing within printing apparatus 140, and enabling printing apparatus 140 to draw building material from cartridge 250 through the thus extended and connected tubing. In one embodiment, cartridge bag 300 may generally be square or oblong in shape, or may have a 'sloping' base that may enable building material to concentrate towards the lowest point of the 'sloping' bag, where inner tubing 310 may draw out the building material. Alternatively, cartridge shell 255 may contain the building material and internal tube 310, without requiring inner bag 300. In such a case, tube 310 may protrude outside of cartridge casing 255, for example, for connection to printing apparatus 140. Other suitable shapes and configurations may be used. Connection and transport units other than tubes may be used.

[0034] According to one embodiment, an aperture 270 may be located at a low point of cartridge shell 255 or inner bag 300. Air or other suitable fluid or gas, for example, air or other gas under pressure, may be introduced into cartridge 250 or inner bag 300 from printing apparatus 140, via the aperture, for example, by way of a tube 275,

needle or other suitable device. The material within cartridge 250 or inner bag 300 may be squeezed out of cartridge 250 or inner bag 300 into the tubes leading into printing apparatus 140, due, for example, to the introduction of air pressure. Such air pressure may be controlled, for example, by valve matrix 175 or other set of valves in printing apparatus
5 140, as is described in detail below.

[0035] According to some embodiments a memory device such as a memory chip 260 or other suitable data storage device may be associated with cartridge 250. Memory chip 260 may, for example, store and/or record information relating to the material stored within cartridge 250, for example, the type of building material in the cartridge bag 300,
10 the material's color, manufacturing date, optimal operation parameters (e.g., recommended jetting temperature), optimum building parameters (e.g., for building or support), and material parameters (e.g., viscosity and surface tension at the recommended temperature etc.) etc. Other suitable data may be stored. Building material information may include, for example, material density, material mass per volume, and other suitable
15 data from which material status may be computed.

[0036] In some embodiments information relating to the material stored within cartridge 250 may be preprogrammed onto a memory chip, e.g., chip 260. Such information may include, for example, material mass per volume. During the course of printing such information may be continuously updated such that when cartridge 250 is
20 emptied or is significantly depleted, cartridge memory chip 260 may be marked accordingly. For example, memory chip 260 may aid in prevention of re-use of a cartridge 250 by, for example, marking a cartridge casing 255 or another part of cartridge 250 as having been already used. For example, chip 260 may be marked by a "0" (zero) for zero mass, or a value relatively close to a predetermined minimum mass, and "1" (one) for a
25 mass indicating a full or substantially full cartridge etc. In this way, for example, if the same cartridge casing 255 is replaced into one or more cartridge holders 210, the cartridge holder 210 will be recognized as having already been used. Chip 260 may additionally or alternatively be marked to indicate degrees of building material fullness or depletion, for example, by providing a grading from 1-10 or a percentage point etc., to indicate the level
30 of building material in a cartridge. Chip 260 may be marked in any other way. Other suitable memory devices or data storage devices may be used. Other suitable data or coding systems may be used to mark the status of a material supply.

[0037] According to some embodiments, a memory chip reader 225 may be associated with cartridge housing 210, to read data stored in memory chip 260. A memory device reader such as memory chip reader 225 may be connected to controller 105, and may transfer data to controller 105, for example, using a cable connection. Controller 105
5 may use the data received, for example, data from memory chip reader 225, data from load cell 230, and other data, to compute printing parameters, including, for example, guidelines for which cartridges to use, how many to use, if and when any replacements are necessary etc., as is described in detail below.

[0038] In one embodiment, the printer system 100 or another component such as a
10 material source, cartridge, cartridge holder, etc. may include the capability to cure, solidify, or otherwise render inert or useless remnant material within a material source. In one embodiment cartridge housing 210 may include at least one source of electromagnetic radiation 215, for example a bulb or other suitable device, which may generate wavelengths similar to those of curing apparatus 159. Electromagnetic radiation source
15 may be activated by controller 105 or another suitable control units, or for example by user command, to cure remnant materials within a used cartridge, for example, for easy, disposal of remnant materials after use. For example, when placing a cartridge 250 in the cartridge housing 210, an electromagnetic bulb may be linked to a source of energy via, for example, cartridge housing 210. When cartridge 250 empties or is at a certain low
20 level, for example, controller 105 may initiate activation of the electromagnetic source within cartridge 250, or the generated electromagnetic radiation may be channeled into cartridge 250. The material remaining in the disposable cartridge 250 may be cured within cartridge 250, and may then be more easily disposed of. The source of electromagnetic radiation may be situated in another location; for example within inner bag 300 of
25 cartridge 250, and may be activated by, for example, electrical impulses or radio waves etc. Such an internally placed source of electromagnetic radiation may be connected to the exterior of bag 300, to the cartridge shell 255, or to the cartridge housing 210 by, for example, electrical wiring or radio frequency radiation from a source of energy, thereby inducing emission of said curing electromagnetic radiation. Examples of such sources of
30 energy may include LED's, antennas, and any other suitable energy sources. In other embodiments, other curing or solidifying systems may be used, and other systems may be used allowing material within a supply unit to be rendered solid, inert, useless for use, and so on.

[0039] In one embodiment, the source of electromagnetic radiation may be internally placed, for example, within cartridge shell 255. In such a case, prior to activation of radiation, the bag or other container may be inflated with air or other gas or fluid pumped into it from, for example, printing system 100, in order to regain the initial
5 open form of the bag or to otherwise increase the volume of the bag or container, thereby enabling the electromagnetic radiation to reach substantially all parts of inner bag 300.

[0040] In other embodiments, the source of electromagnetic radiation may be situated within external shell 255 of the disposable cartridge 250, and connected via an opening in the shell 255 to a source of energy in printing apparatus 140, via the cartridge
10 housing 210. In such a case, for example, casing 255 may be made of material impervious to light and inner bag 300 may be made of transparent material, enabling curing of the remnant materials within the used cartridge. In other embodiments, other containers may be wholly or partially transparent, to enable curing or other solidification or rendering material useless or inert.

[0041] In further embodiments, the source of electromagnetic radiation or other curing energy may be situated within cartridge housing 210 and may penetrate the disposable casing 255 via, for example, an aperture. A hole may be created before the curing, solidifying or other transformation of the material is performed. The source of electromagnetic radiation may penetrate the disposable inner bag via, for example, a
20 needle which may puncture inner bag 300 and thus enable penetration of the source of the electromagnetic light into bag 300.

[0042] Reference is now made to **Fig. 4**, which is a schematic illustration of an array 400 of cartridges 410, each of which may contain building material, according to an exemplary embodiment of the present invention. A plurality of cartridges 410 may be
25 located within array 400. Array 400 may be located within printing apparatus 140, or externally to printing apparatus 140, for example in a separate unit. Cartridges 410 may be any suitable material supply or storage system, and may include a cartridge bag 415, which may contain, for example, building material 420 and/or support material 425. Other types of materials may be contained, and other numbers of materials (e.g., one).
30 Building material may be stored in, for example, a liquid form, and may have different forms, colors, compositions etc. Each type and/or color or suitable combination etc. of building material may be contained separately within one or more cartridges. Each

cartridge 410 may be connected separately and individually to printing apparatus 140 via, for example, a valve matrix 175 or other suitable set of valves or switching devices. In the case where matrix 400 has cartridges having identical material, cartridges 410 may be jointly connected to printing apparatus 140. Any number or ratio of modeling material and/or support material-containing cartridges 410 may be inserted into or removed from array 400, according to the requirements of one or more 3D objects to be printed. Switching or valving systems, or sets of valves, other than a valve matrix, may be used.

[0043] Each cartridge 410 may be connected to, for example, a sensor 430, for example, a weight sensor, to measure or otherwise determine the status of building material 415 in the cartridge, for example, the mass of the material within a cartridge bag. Sensor 430 may be connected to controller 105, and may transmit recorded data to controller 105. Each cartridge 410 may be associated with a memory or storage device such as a memory chip 260 and reader or data transfer device such as a memory chip reader 225, as described in detail herein. Controller 105 may select which cartridges 410 to use for object printing based on, for example, data received from sensor(s) 430, memory chip reader(s) 225, cartridge sensor 550, and any other suitable sensor elements. For example, cartridge 250 availability, weight, material types, material color, or any other parameters may be factored into such a selection. For example, during printing, controller 105 may first select a cartridge with the lowest measured weight. Once the cartridge is emptied or is at a certain low level, controller 105 may, for example, shut off a valve connected to the tube from the emptied cartridge, and open a valve for an available cartridge 250 containing the same type of material. Other methods of stopping material flow may be used.

[0044] In one embodiment, when construction of any given three-dimensional object may continue, for example, over a period of many hours, printing system 100 may provide a substantially continuous and uninterrupted flow of building materials to one or more printing heads 145, by continuously drawing materials from selected cartridges 410 using automated switching of material supply sources, enabled by computer-controlled valve selection. For example, when one material source, such as a cartridge, is depleted or reaches a pre-determined low amount of material, the system may switch to the use of a different material source. Such switching may be automated, not requiring user intervention. Such switching may be the result of a request or alert to a user.

[0045] Reference is now made to **Fig. 5**, which is a schematic illustration of the back of cartridge housing 510 with associated components. One or more transfer units such as tubes 520 may emanate from cartridge 250, and may protrude through cartridge housing 510, through which building material may flow to printing apparatus 140. Each tube 520 may include, for example, a valve 525, which may be situated in valve matrix 175, by which the flow of material through respective internal tubes 530, into printing head 145 may be controlled. Valve matrix 175 may enable routing of respective incoming tube(s) 520, and enable selective control over the usage of available building materials from the respective cartridges 250. For example, valves in valve matrix 175 may have open and closed states. The state of each separate valve may be either open or closed as determined by the controller. Controller 105 may, for example, toggle valves from open to closed or closed to open, as relevant. Other valve states may be used. Internal tubes 530 may lead to one or more pumps 540, to pump or draw building material into printing apparatus 140, as required according to printing controller 105 instructions. Pump 540 may be, for example, a peristaltic pump, but other types of liquid pumps may be used. For example, when one or more cartridges such as 250 of Fig. 2 are inserted into one or more respective cartridge holders 510, tubes 520 may connect to one or more respective internal tubes 530 of printer apparatus 140, via valve matrix 175. In one embodiment, at least two tubes may emanate from valve matrix 175 and may be routed to printing head 145, at least one tube bearing modeling material or materials, and at least one other tube bearing support material or materials. Controller 105 may toggle opening or closing of specific valves 525, and thus determine from which cartridge 250 material may be drawn into the modeling material tube(s) and/or the support material tube(s) respectively. Other tube types or number of tubes may be utilized.

[0046] According to some embodiments of the present invention, a method is provided to monitor and calculate the amount of building material required for printing a particular object or series of objects. In other embodiments, a method is provided for providing required building material to printing apparatus 140, according to the object or objects being printed. Still other embodiments provide a method for alerting a system operator when, for example, additional building materials are required.

[0047] **Fig. 6** is a flow chart diagram of a method to monitor, compute, and control building material supply in a 3D printing system, according to some embodiments of the

present invention. The method of Fig. 6 may be used, for example, with 3D printer system 100 of Fig. 1 and/or with other suitable 3D printers. As indicated at block 600, the status of the building material in one or more cartridges may be measured by respective sensors, for example, weighing or other sensors associated with the individual cartridges. Supply units other than cartridges may be used. At block 605 this data, as well as other data, for example, from a memory chip associated with a cartridge, may be transmitted to a printer controller. At block 610 various parameters of the materials within the various cartridges may be computed by the controller, for example, the amount of material of each type and/or color presently available in each cartridge, by, for example, utilizing the data provided by the respective sensors and respective memory chips attached to the respective cartridges. For example, the memory devices or chips may store data relating to the material type, properties, etc. The sensor may weigh the material in the cartridge. The controller may calculate the quantity of material in the cartridge by, for example, subtracting the current weight of the cartridge from the known weight of a full cartridge. The controller may also detect the presence of one or more empty cartridges. The controller may utilize data relating to the object to be printed, such as print data, CAD data, control data, etc.

[0048] At block 615 the printer controller may compute, for example, the amount of modeling material, support liquid, or combination of modeling and support materials required for printing a given three-dimensional object. The printer controller may also compute the expected order and quantity of uptake and deposition of each type of material into the printing apparatus, for the printing or construction of a given object.

[0049] At block 620 the printer controller may compute, based on the materials required for printing a given object, supply parameters for the material in each cartridge. For example, the controller may determine whether the amount of modeling and/or support material in the available cartridges is sufficient to complete a three-dimensional object to be built or printed, and the order of usage of the available cartridges to meet these needs. The controller may also determine, for example, based on expected usage of material and actual availability of materials, for example, the length of time remaining until one or more cartridges may be expected to empty, and should therefore be replaced. The relevant information may be displayed on, for example, a computer screen.

[0050] During the printing process the controller may continue to monitor, for example, the status of the building material(s) remaining in one or more respective cartridge bags, the total amount of building material of each type still required to complete the construction of one or more three-dimensional objects, and the length of time
5 remaining before each respective cartridge may need to be replaced by another cartridge in line etc.

[0051] At block 625 the printer controller may control the transfer of materials from the various cartridges to the printing apparatus. For example, the controller may provide instructions to close a valve of an empty cartridge, or a cartridge or source where,
10 for example, there is not enough material to continue to extract, via for example the valve matrix system, and transfer the uptake or extraction of required modeling material to one or more additional cartridges that contain relevant building materials, by opening one or more relevant valves. These additional cartridges may be arranged, for example, in a line or in an array etc. to be used as reserve material sources for use by the printing apparatus.
15 Suitable methods of switching material source other than valving may be used.

[0052] According to an embodiment of the present invention, at block 630 the printer controller may, for example, initiate curing, solidifying, the making useless of, etc., of remnant material within one or more used cartridges, as described in detail herein.

[0053] According to some embodiments, at block 635, if controller 105 determines
20 that the amount and/or type of material in one or more cartridges 250 requires replacement, controller 105 may, for example, transmit an alert message to one or more system operators. Such an alert message may be, for example, in the form of an email message and/or an SMS message to one or more computing or communication devices. Such messages may include content or details noting, for example, the amount and/or type
25 of material left in one or more cartridges, the length of time left until one or more cartridges may empty, and/or an estimated time at or by which one or more cartridges should be replaced. Controller may also send reminder messages or messages with alternative content relating to a printing process, for example using email, SMS etc., to one or more operators. For example, such messages may describe the estimated time for
30 total job (printing job) completion, internal reference numbers, or other relevant information about the printing job or jobs. Other methods of transmitting messages may be used. Communication of messages may be, for example, via an external interface. For

example, controller may be connectable to a computer and/or communications network, and may communicate messages or other data to an operator or alternative target via an email account or server, a cellular operator, a Web server, or any other suitable communication mediums.

5 [0054] Any combination of the above steps may be implemented. Further, other steps or series of steps may be used. For example, in one embodiment the curing of unused material in a supply container may be performed without other operations disclosed, such as without calculating remaining material, etc. Alerts may be sent without other operations or computing steps disclosed. Other embodiments or combinations may
10 be used.

[0055] The foregoing description of the embodiments of the invention has been presented for the purposes of illustration and description. It is not intended to be exhaustive or to limit the invention to the precise form disclosed. It should be appreciated by persons skilled in the art that many modifications, variations, substitutions, changes,
15 and equivalents are possible in light of the above teaching. It is, therefore, to be understood that the appended claims are intended to cover all such modifications and changes as fall within the true spirit of the invention.

CLAIMS

1. A three-dimensional printing system, comprising:
a printing apparatus to print three-dimensional objects; and
a controller to receive data from a material supply source and to control said printing
5 apparatus.
2. The system of claim 1, comprising at least one cartridge apparatus to provide building
material to print said objects, said cartridge apparatus having a sensor to measure the
status of building material in the cartridge.
3. The system of claim 2, wherein said cartridge apparatus comprises a cartridge housing,
10 said housing including at least a memory device reader.
4. The system of claim 2, wherein said cartridge apparatus comprises a cartridge housing,
said housing including a connection unit.
5. The system of claim 2, wherein said cartridge apparatus comprises a memory device to
record data relating to building material in a cartridge.
- 15 6. The system of claim 2, wherein said cartridge apparatus comprises an electromagnetic
source.
7. The system of claim 1, wherein said printing apparatus includes a set of valves to
control supply of building materials from at least one cartridge apparatus to said printing
apparatus.
- 20 8. The system of claim 1, wherein said controller is to cause switching of material supply
sources.
9. The system of claim 1, wherein said controller is to calculate material parameters from
materials in one or more cartridge apparatuses, based on data of building material in said
at least one cartridge apparatus.
- 25 10. The system of claim 1, wherein said printing apparatus is to inflate a cartridge bag and
to cure material within at least one cartridge apparatus.
11. The system of claim 1, wherein said printing apparatus comprises at least a printing
head.
12. The system of claim 1, comprising at least one cartridge array.
- 30 13. A three dimensional building material container, comprising:
a container unit to store three-dimensional building material; and
a sensor to measure the status of said building material.
14. The container of claim 13, wherein the sensor is a mass sensor.

- 15.A printing apparatus, comprising:
a container to store three-dimensional building material; and
a sensor to measure the status of said building material.
- 16.The printing apparatus of claim 15, comprising a memory device to provide building
5 material information.
- 17.The printing apparatus of claim 16, comprising a memory device reader to read said
building material information.
- 18.The printing apparatus of claim 15, comprising a bag to store said building material.
- 19.A printing system, comprising:
10 a printing controller; and
a printing apparatus, said apparatus having a set of valves by which said controller is to
control supply of three-dimensional printing materials from a plurality of printing material
supply sources.
- 20.The apparatus of claim 19, wherein said set of valves includes a valve matrix including
15 an outgoing tube for each type of material required by said printing apparatus.
- 21.The apparatus of claim 19, wherein said set of valves is to connect said printing
apparatus to at least one array of printing material supply sources.
- 22.The apparatus of claim 19, wherein upon lowering of the level of said material in said
supply source to a pre-determined amount, said set of valves is adapted to automatically
20 switch material sources.
- 23.A printing method, comprising:
measuring data on the status of three-dimensional building material in at least one building
material source; and
determining parameters of said building material.
- 25 24.The method of claim 23, comprising determining supply parameters of said building
material.
- 25.The method of claim 23, comprising controlling a supply of said building material
from two or more said material sources according to said supply parameters.
- 26.The method of claim 25, wherein said controlling of material supply is enabled by
30 controlling a set of valves.
- 27.The method of claim 23, comprising sending an alert to at least one operator.
- 28.The method of claim 23, wherein measuring material status includes measuring the
mass of said building material in at least one printing cartridge.

29. The method of claim 23, comprising computing an amount of building material required to print an object.
30. The method of claim 23, comprising computing an amount of time remaining before a printing cartridge requires replacement.
- 5 31. The method of claim 23, comprising alerting an operator if at least one printing cartridge requires replacement.
32. The method of claim 23, comprising automatically switching supply sources for said building material if at least one printing cartridge requires replacement.
33. A method comprising:
- 10 generating electromagnetic radiation; and
curing three dimensional building material contained within a printing cartridge.
34. The method of claim 33 comprising channeling said electromagnetic radiation into said cartridge.
35. The method of claim 33, comprising making a hole in a cartridge bag, said hole
15 enabling the entrance of said electromagnetic radiation into said cartridge bag.
36. The method of claim 33, comprising inflating a cartridge bag to enable said electromagnetic radiation to reach substantially all parts of said cartridge bag.
37. The method of claim 33, comprising controlling said curing from a three dimensional printer.
- 20 38. A device comprising:
an electromagnetic radiation source;
a three-dimensional print material reservoir; and
a curing unit adapted to cure three-dimensional printing material within said reservoir using electromagnetic radiation.
- 25 39. The device of claim 38, wherein said reservoir is a printing cartridge.

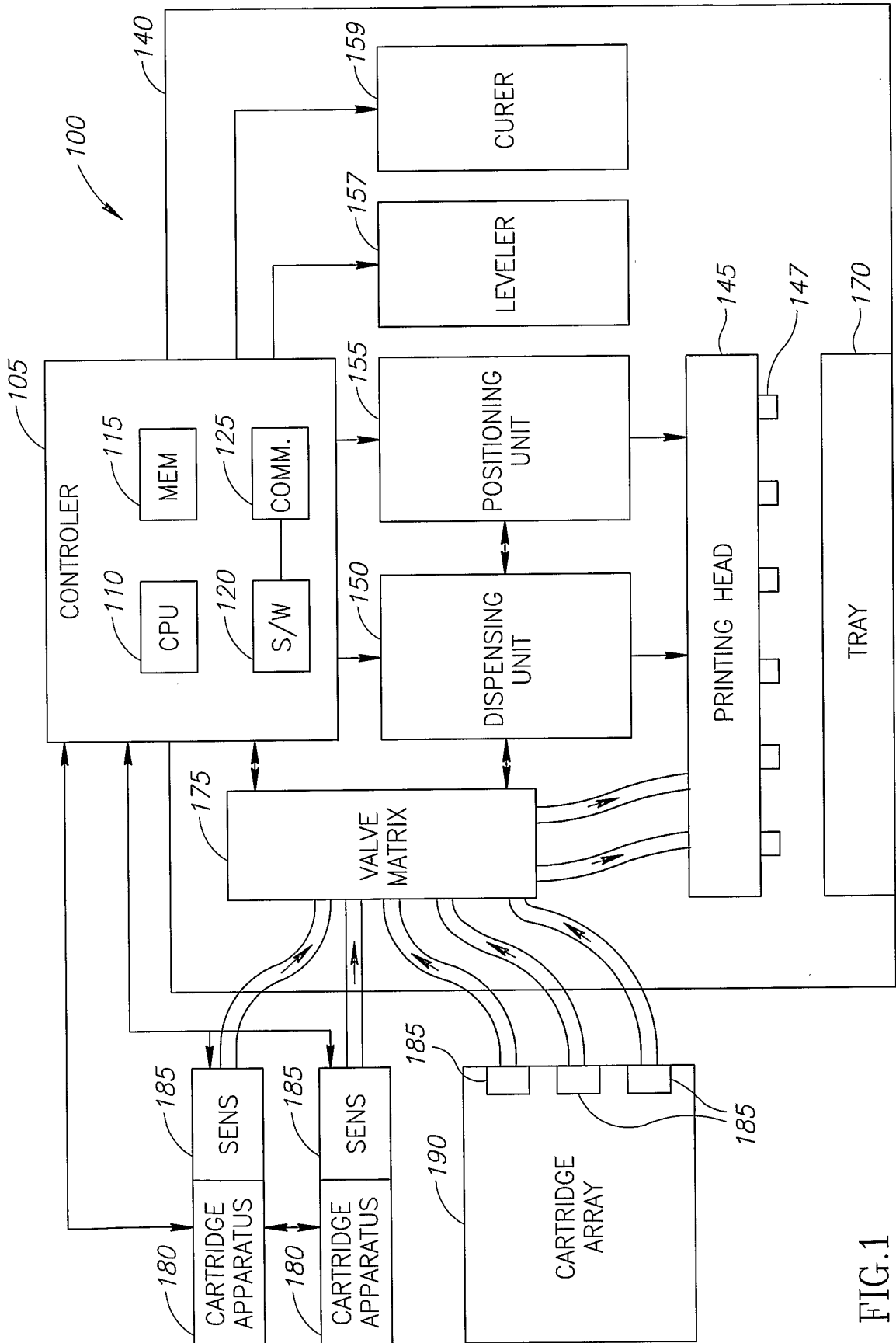


FIG. 1

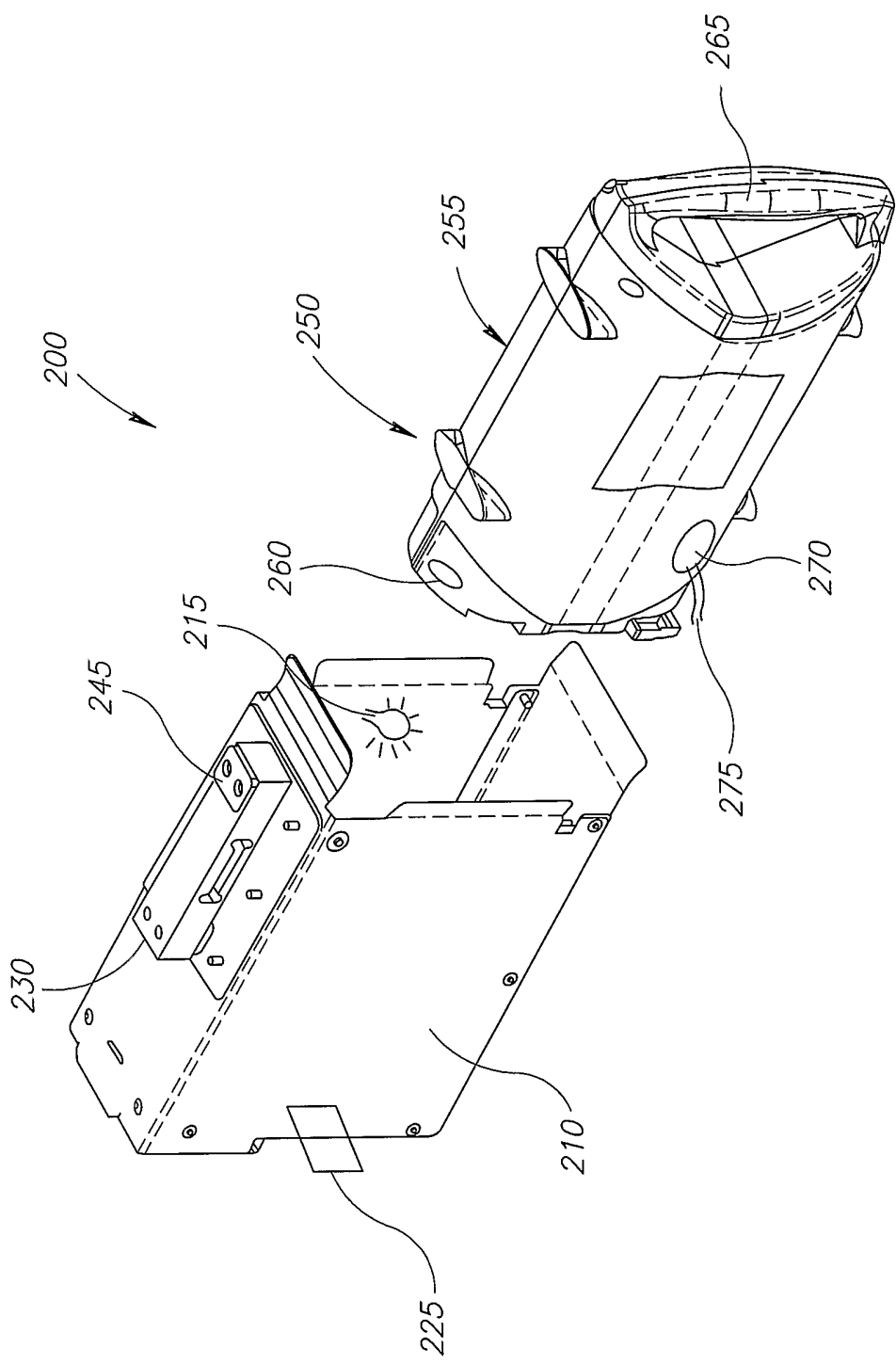


FIG.2

3/5

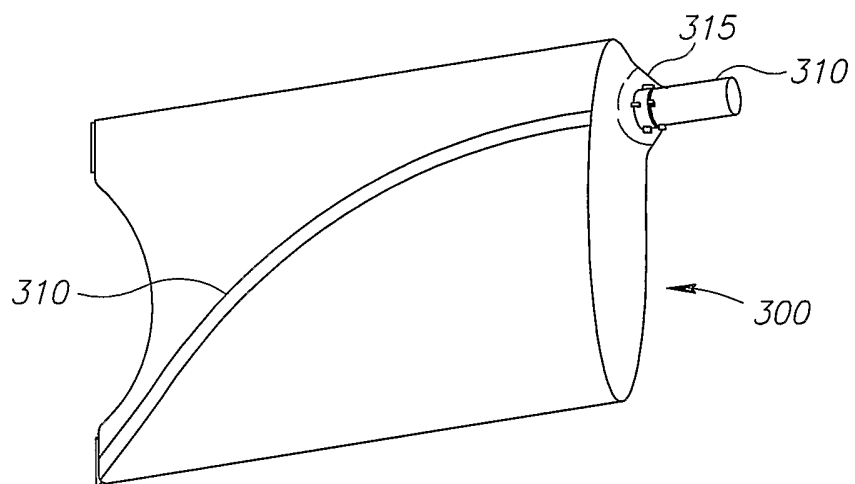


FIG. 3

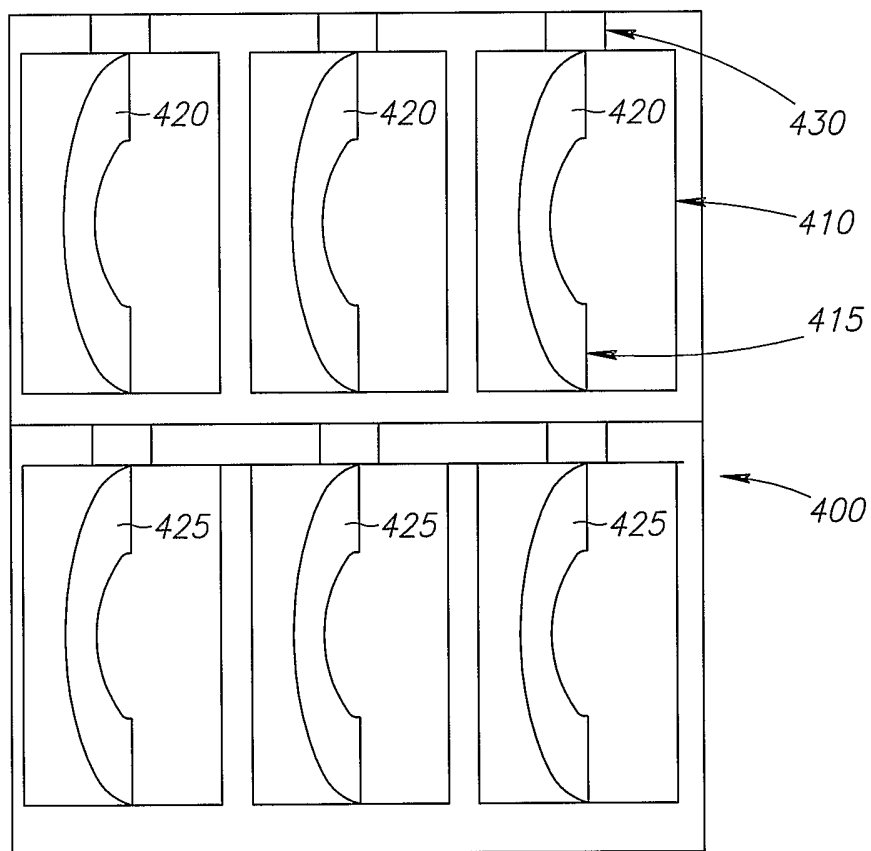


FIG. 4

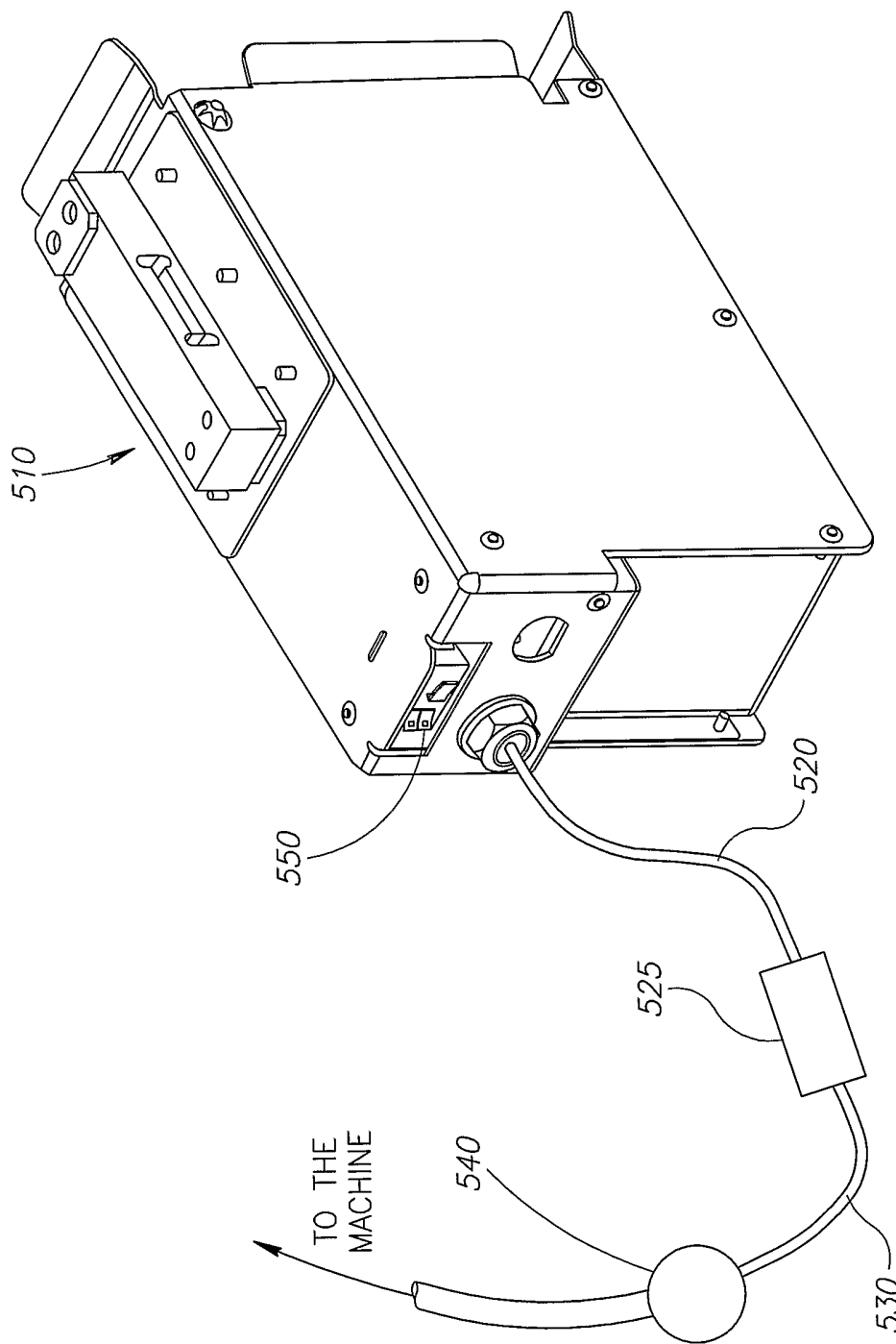


FIG.5

5/5

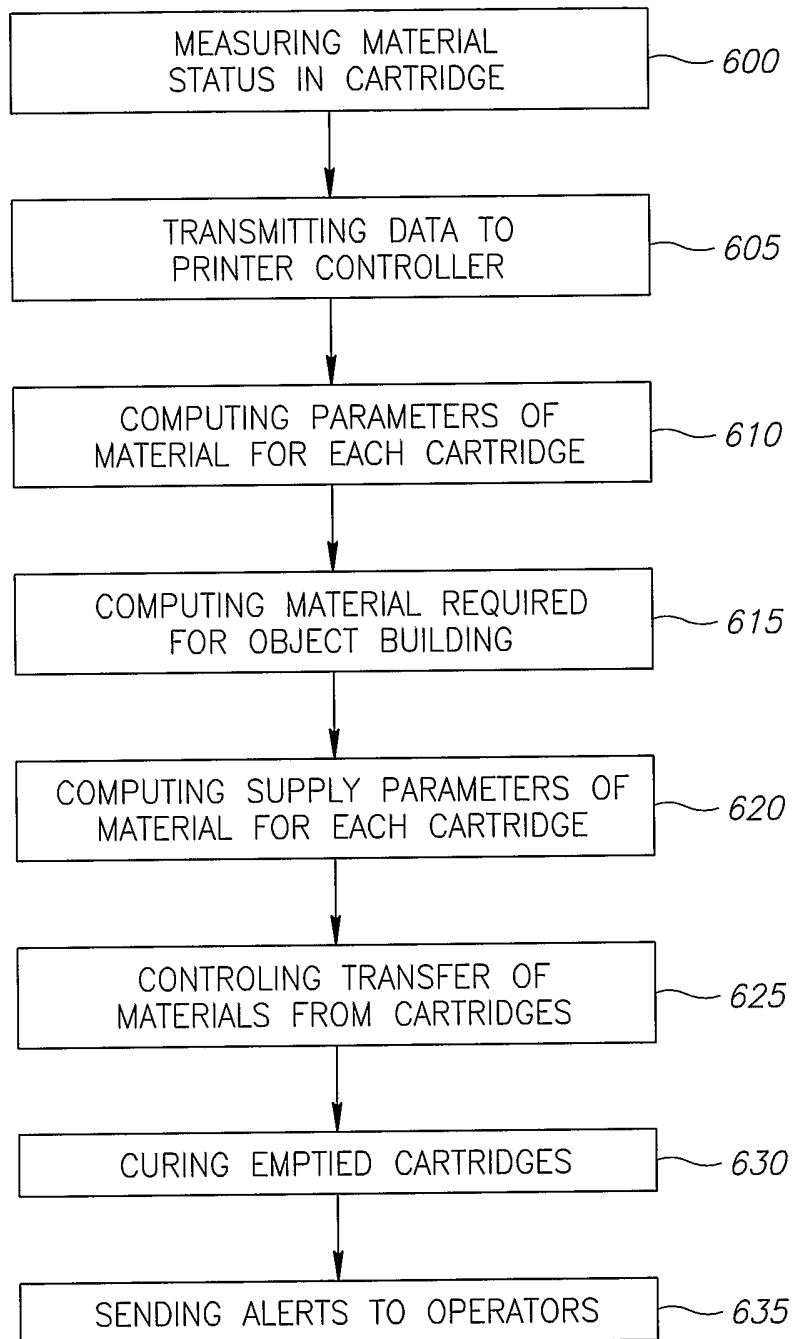


FIG.6

INTERNATIONAL SEARCH REPORT

International application No.

PCT/IL03/00955

A. CLASSIFICATION OF SUBJECT MATTER																				
IPC(7) : G06F 19/00; B28B 1/14 US CL : 700/119; 264/308																				
According to International Patent Classification (IPC) or to both national classification and IPC																				
B. FIELDS SEARCHED																				
Minimum documentation searched (classification system followed by classification symbols) U.S. : 700/119, 118, 98; 264/308, 401																				
Documentation searched other than minimum documentation to the extent that such documents are included in the fields searched																				
Electronic data base consulted during the international search (name of data base and, where practicable, search terms used)																				
C. DOCUMENTS CONSIDERED TO BE RELEVANT																				
Category *	Citation of document, with indication, where appropriate, of the relevant passages	Relevant to claim No.																		
Y	US 6,405,095 B1 (JANG et al.) 11 June 2002 (11.06.2002), whole document	1-39																		
Y	US 5,510,066 A (FINK et al) 23 April 1996 (23.04.1996), whole document	1-39																		
A	US 6,165,406 A (JANG et al.) 26 December 200 (26.12.2000), Abstract, Col. 6-10	1-39																		
<input type="checkbox"/> Further documents are listed in the continuation of Box C.		<input type="checkbox"/> See patent family annex.																		
* Special categories of cited documents:	<table style="width: 100%; border: none;"> <tr> <td style="width: 40%; border: none;">"T"</td> <td style="border: none;">later document published after the international filing date or priority date and not in conflict with the application but cited to understand the principle or theory underlying the invention</td> </tr> <tr> <td style="border: none;">"A"</td> <td style="border: none;">document defining the general state of the art which is not considered to be of particular relevance</td> </tr> <tr> <td style="border: none;">"E"</td> <td style="border: none;">earlier application or patent published on or after the international filing date</td> </tr> <tr> <td style="border: none;">"L"</td> <td style="border: none;">document which may throw doubts on priority claim(s) or which is cited to establish the publication date of another citation or other special reason (as specified)</td> </tr> <tr> <td style="border: none;">"O"</td> <td style="border: none;">document referring to an oral disclosure, use, exhibition or other means</td> </tr> <tr> <td style="border: none;">"P"</td> <td style="border: none;">document published prior to the international filing date but later than the priority date claimed</td> </tr> <tr> <td style="border: none;">"X"</td> <td style="border: none;">document of particular relevance; the claimed invention cannot be considered novel or cannot be considered to involve an inventive step when the document is taken alone</td> </tr> <tr> <td style="border: none;">"Y"</td> <td style="border: none;">document of particular relevance; the claimed invention cannot be considered to involve an inventive step when the document is combined with one or more other such documents, such combination being obvious to a person skilled in the art</td> </tr> <tr> <td style="border: none;">"&"</td> <td style="border: none;">document member of the same patent family</td> </tr> </table>		"T"	later document published after the international filing date or priority date and not in conflict with the application but cited to understand the principle or theory underlying the invention	"A"	document defining the general state of the art which is not considered to be of particular relevance	"E"	earlier application or patent published on or after the international filing date	"L"	document which may throw doubts on priority claim(s) or which is cited to establish the publication date of another citation or other special reason (as specified)	"O"	document referring to an oral disclosure, use, exhibition or other means	"P"	document published prior to the international filing date but later than the priority date claimed	"X"	document of particular relevance; the claimed invention cannot be considered novel or cannot be considered to involve an inventive step when the document is taken alone	"Y"	document of particular relevance; the claimed invention cannot be considered to involve an inventive step when the document is combined with one or more other such documents, such combination being obvious to a person skilled in the art	"&"	document member of the same patent family
"T"	later document published after the international filing date or priority date and not in conflict with the application but cited to understand the principle or theory underlying the invention																			
"A"	document defining the general state of the art which is not considered to be of particular relevance																			
"E"	earlier application or patent published on or after the international filing date																			
"L"	document which may throw doubts on priority claim(s) or which is cited to establish the publication date of another citation or other special reason (as specified)																			
"O"	document referring to an oral disclosure, use, exhibition or other means																			
"P"	document published prior to the international filing date but later than the priority date claimed																			
"X"	document of particular relevance; the claimed invention cannot be considered novel or cannot be considered to involve an inventive step when the document is taken alone																			
"Y"	document of particular relevance; the claimed invention cannot be considered to involve an inventive step when the document is combined with one or more other such documents, such combination being obvious to a person skilled in the art																			
"&"	document member of the same patent family																			
Date of the actual completion of the international search	Date of mailing of the international search report																			
19 March 2004 (19.03.2004)	06 APR 2004																			
Name and mailing address of the ISA/US	Authorized officer																			
Mail Stop PCT, Attn: ISA/US Commissioner for Patents P.O. Box 1450 Alexandria, Virginia 22313-1450	Leo Picard <i>Peggy Hamel</i>																			
Facsimile No. (703)305-3230	Telephone No. 703-305-9600																			