



US00D651865S

(12) **United States Design Patent**  
**Smyers**

(10) **Patent No.:** **US D651,865 S**

(45) **Date of Patent:** **\*\* Jan. 10, 2012**

- (54) **BOWL**
- (75) Inventor: **Justin Smyers**, Newport Beach, CA (US)
- (73) Assignee: **Snapware Corporation**, Mira Loma, CA (US)
- (\*\*) Term: **14 Years**
- (21) Appl. No.: **29/386,898**
- (22) Filed: **Mar. 5, 2011**

D628,443 S *	12/2010	McTaggart .....	D7/587
D629,264 S *	12/2010	Curtin .....	D7/665
D633,757 S *	3/2011	Smyers .....	D7/629
D634,486 S *	3/2011	Graham-Cretcher .....	D30/129
D636,641 S *	4/2011	Smyers .....	D7/629

\* cited by examiner

*Primary Examiner* — Ian Simmons

*Assistant Examiner* — Dana L Sipos

(74) *Attorney, Agent, or Firm* — Larry K. Roberts

(57) **CLAIM**

The ornamental design for bowls, as shown and described.

**Related U.S. Application Data**

- (62) Division of application No. 29/365,704, filed on Jul. 13, 2010, now Pat. No. Des. 633,757.
- (51) **LOC (9) Cl.** ..... **07-01**
- (52) **U.S. Cl.** ..... **D7/630; D7/584; D7/602; D9/428; D9/500**
- (58) **Field of Classification Search** ..... D9/500, D9/502–503, 505, 516, 530, 537, 539, 549, D9/558, 574–575, 414, 424, 425–426, 428; D7/500, 538, 542–543, 545, 584, 586–587, D7/601–603, 612, 615, 629–630; D11/143, D11/152–153; D26/6, 9; 215/379, 381–382; 220/660, 669–670, 672, 675

See application file for complete search history.

(56) **References Cited**

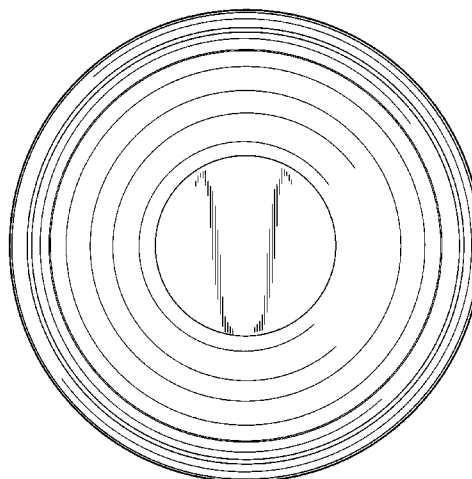
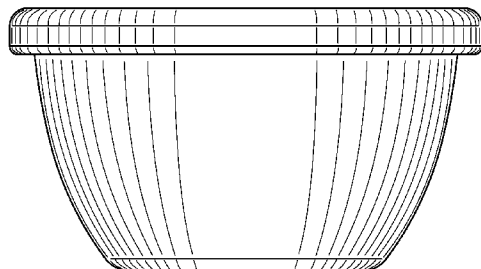
**U.S. PATENT DOCUMENTS**

2,711,840 A *	6/1955	Gits et al. ....	220/780
2,816,589 A *	12/1957	Tupper .....	220/305
D313,203 S *	12/1990	Carlson .....	D11/153
D346,135 S *	4/1994	Carlson .....	D11/153
D347,969 S *	6/1994	Cousins et al. ....	D7/548
D383,646 S *	9/1997	Jeppesen et al. ....	D7/584
6,431,389 B1 *	8/2002	Jerstroem et al. ....	220/574.3
D482,575 S *	11/2003	Mountain .....	D7/586
D565,907 S *	4/2008	de Groote et al. ....	D7/601
D613,125 S *	4/2010	Sierra et al. ....	D7/584

**DESCRIPTION**

FIG. 1 is a top perspective view of a bowl showing my new design;  
 FIG. 2 is a front elevation view thereof, the rear elevation view being identical;  
 FIG. 3 is a top plan view thereof;  
 FIG. 4 is a bottom plan view thereof;  
 FIG. 5 is a top perspective view of a second embodiment showing my new design;  
 FIG. 6 is a front elevation view thereof, the rear elevation view being identical;  
 FIG. 7 is a top plan view thereof;  
 FIG. 8 is a bottom plan view thereof;  
 FIG. 9 is a top perspective view of a fourth embodiment showing my new design;  
 FIG. 10 is a front elevation view thereof, the rear elevation view being identical;  
 FIG. 11 is a top plan view thereof;  
 FIG. 12 is a bottom plan view thereof;  
 FIG. 13 is a top perspective view of a second embodiment showing my new design;  
 FIG. 14 is a front elevation view thereof, the rear elevation view being identical;  
 FIG. 15 is a top plan view thereof; and,  
 FIG. 16 is a bottom plan view thereof.

**1 Claim, 16 Drawing Sheets**



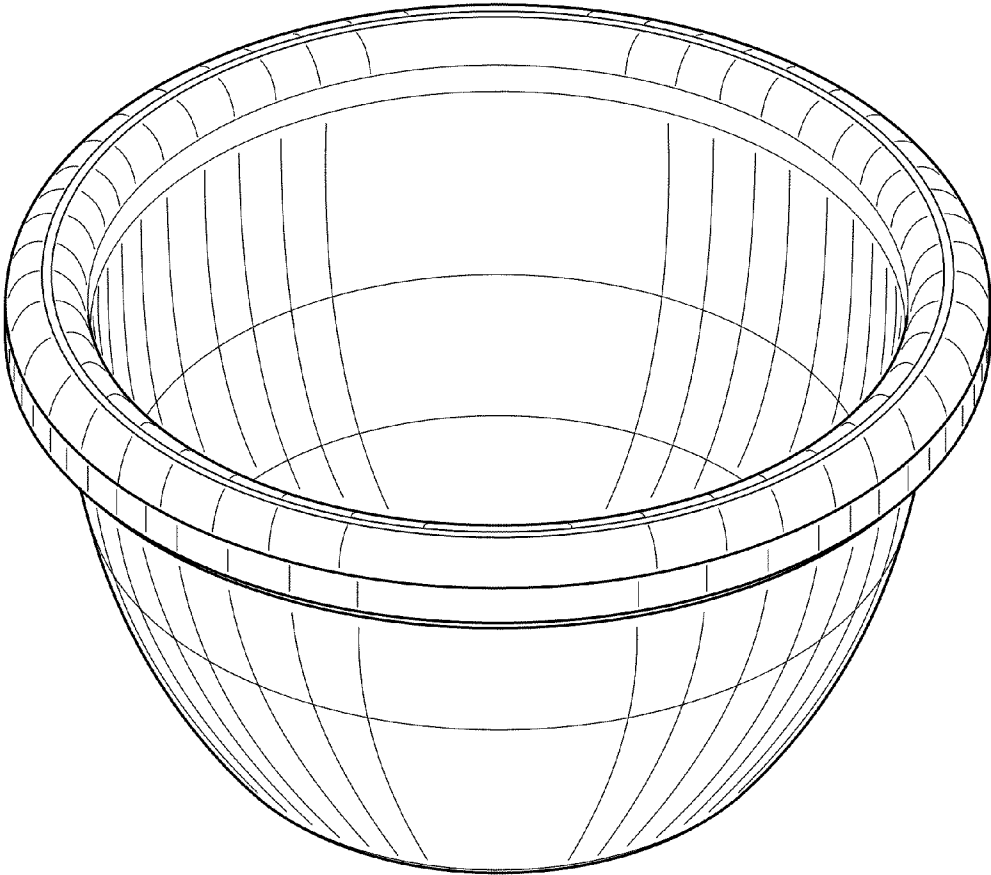


FIG. 1

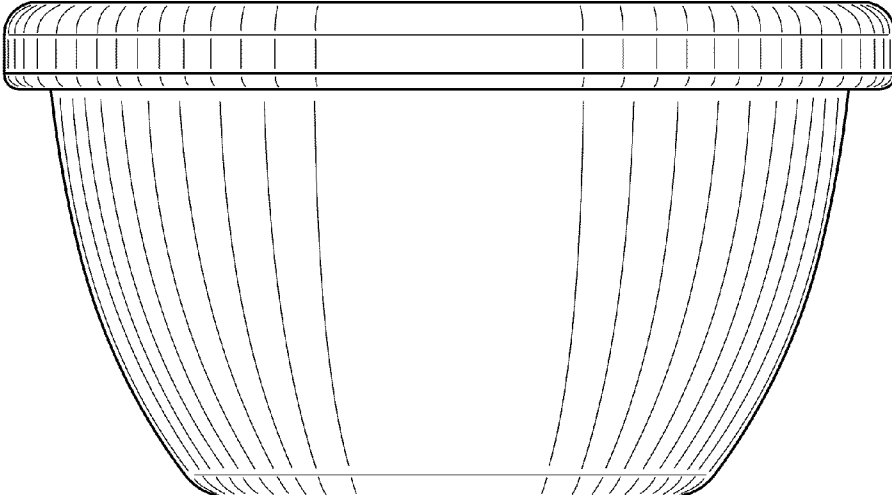


FIG. 2

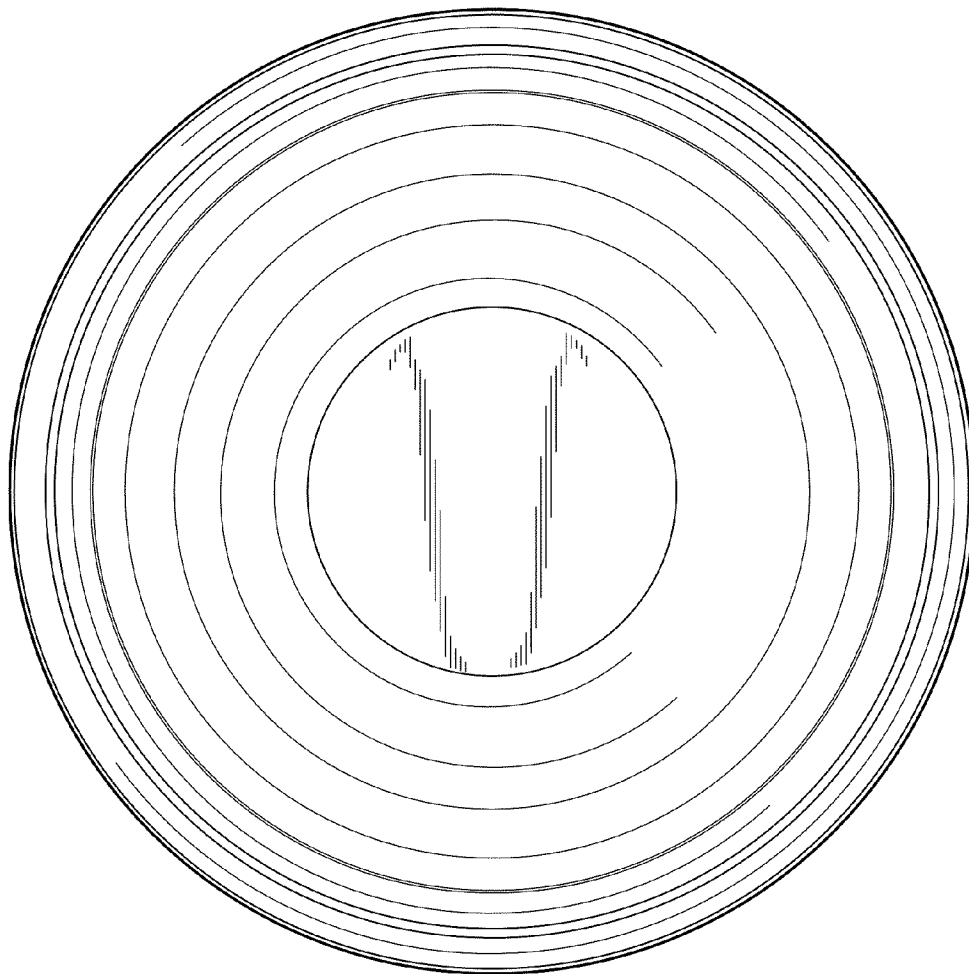


FIG. 3

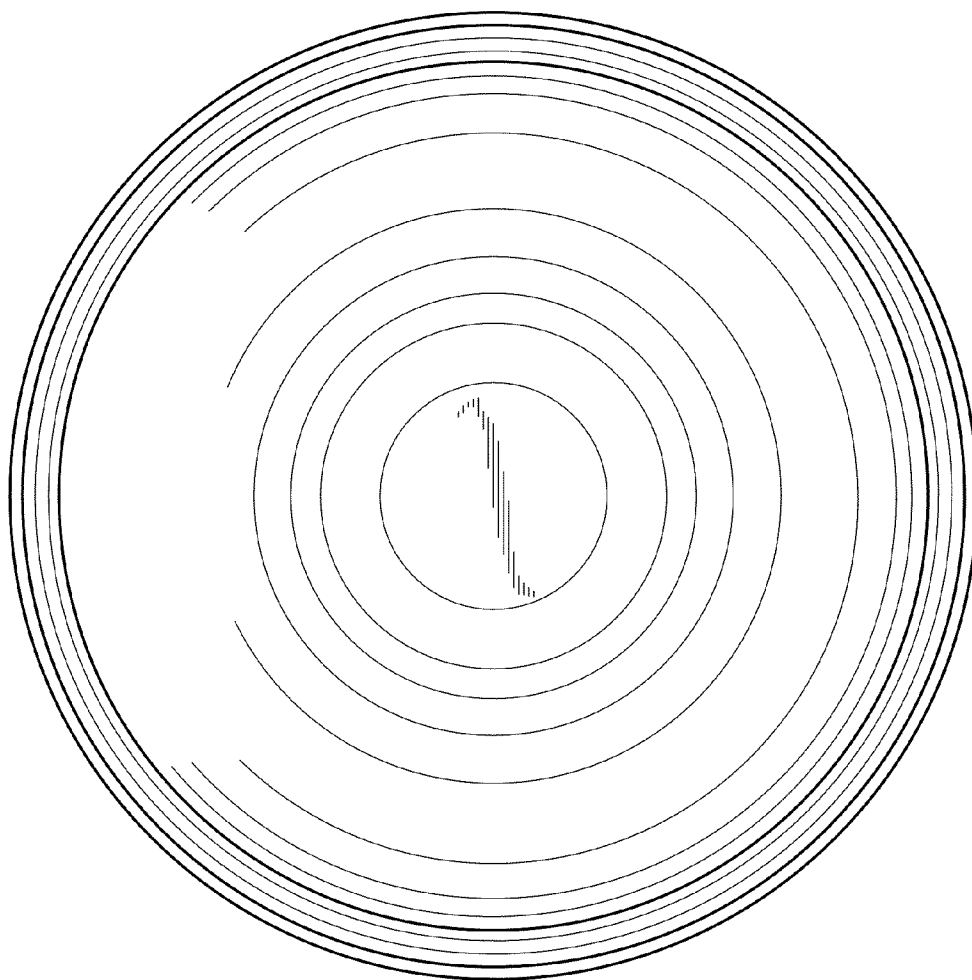


FIG. 4

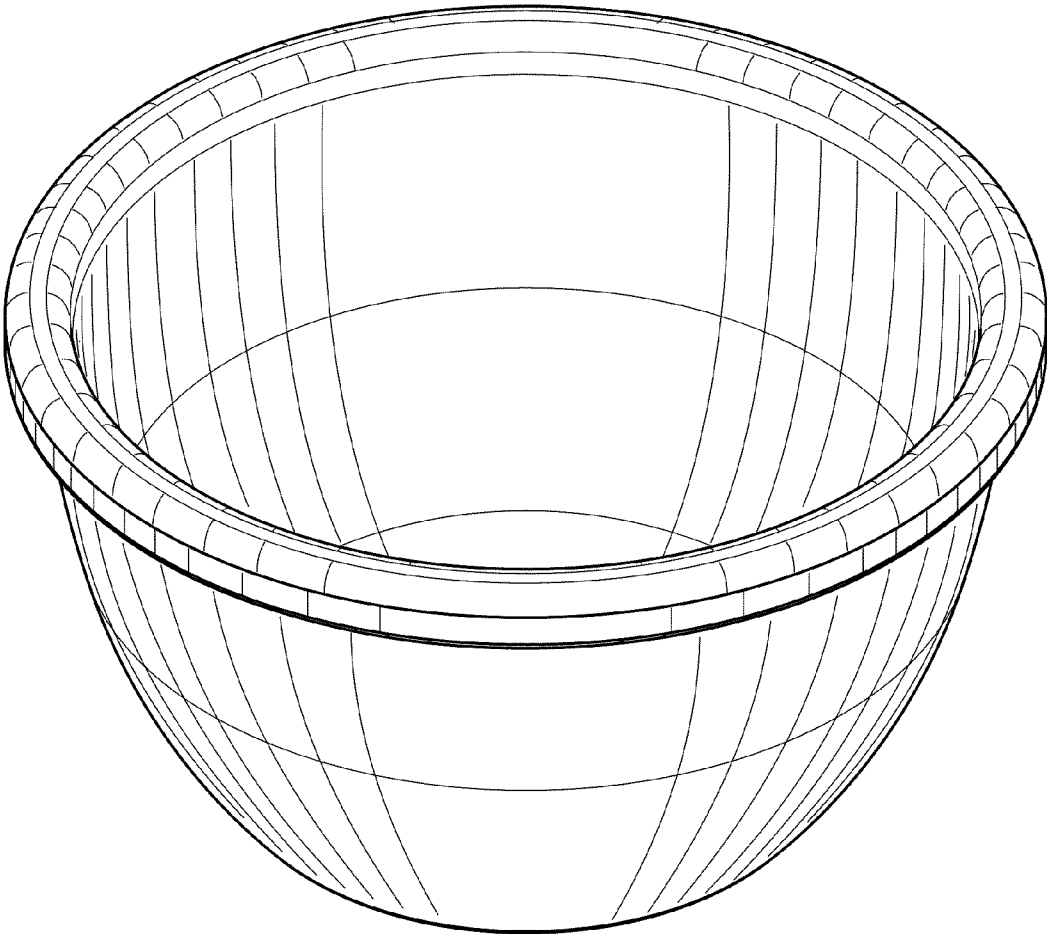


FIG. 5

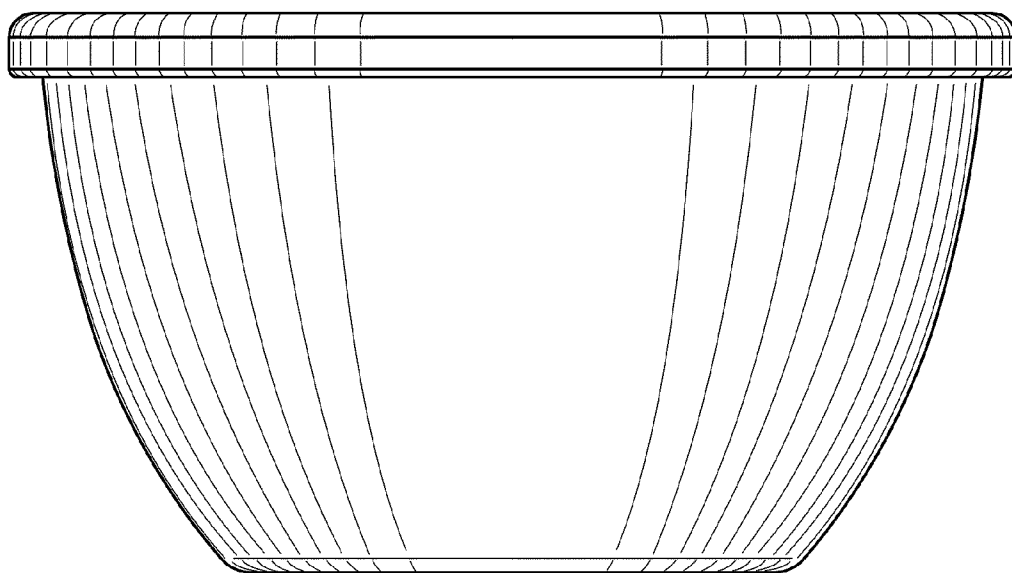


FIG. 6

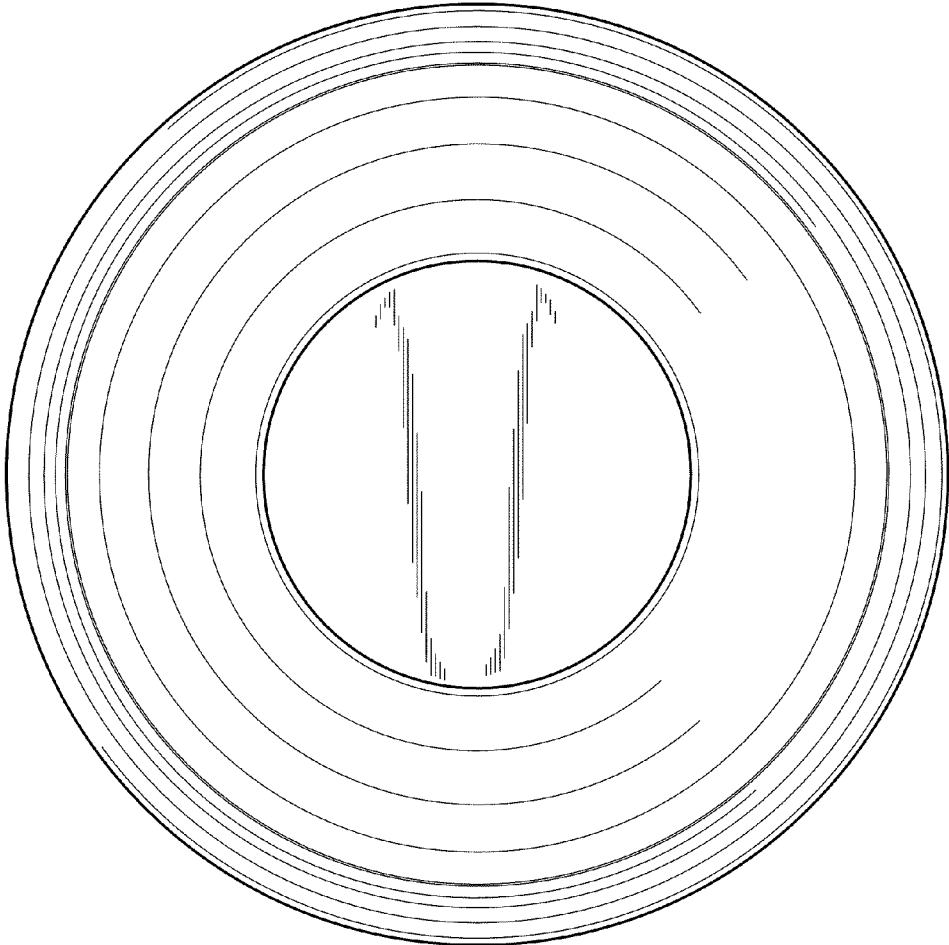


FIG. 7



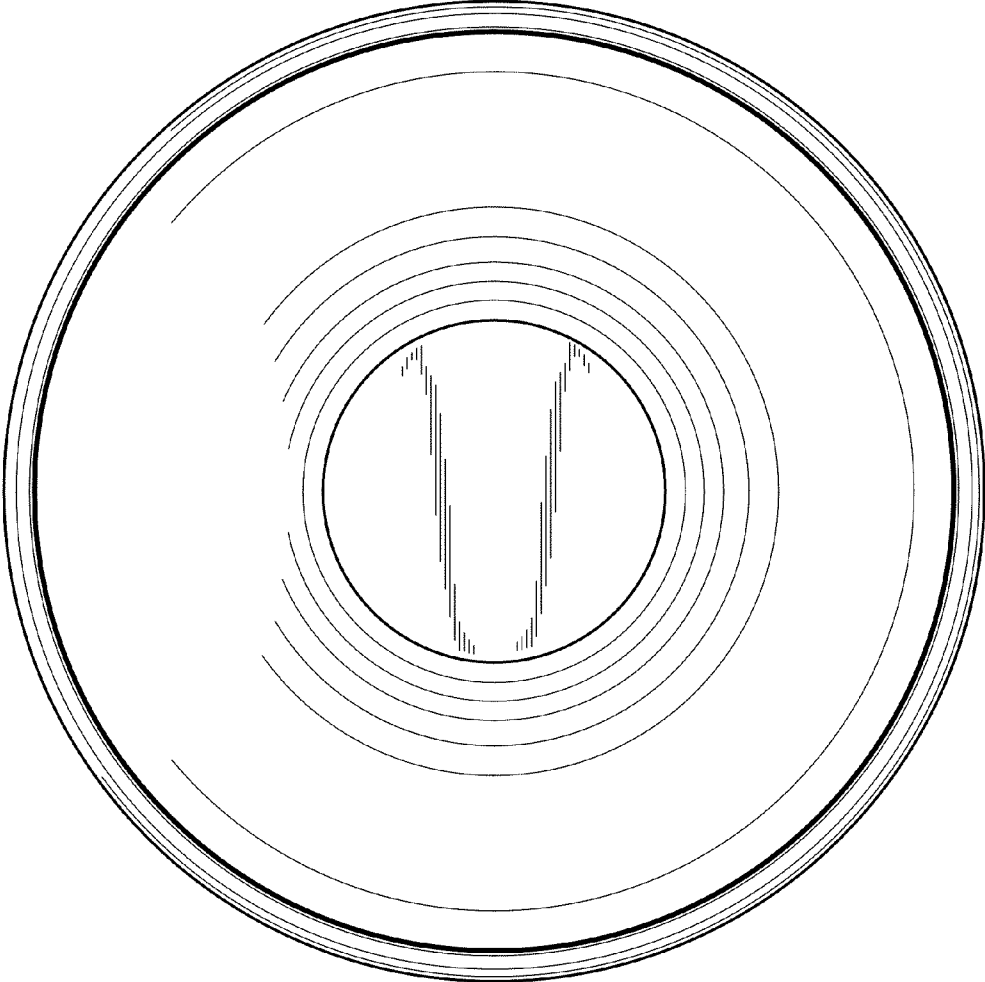


FIG. 8

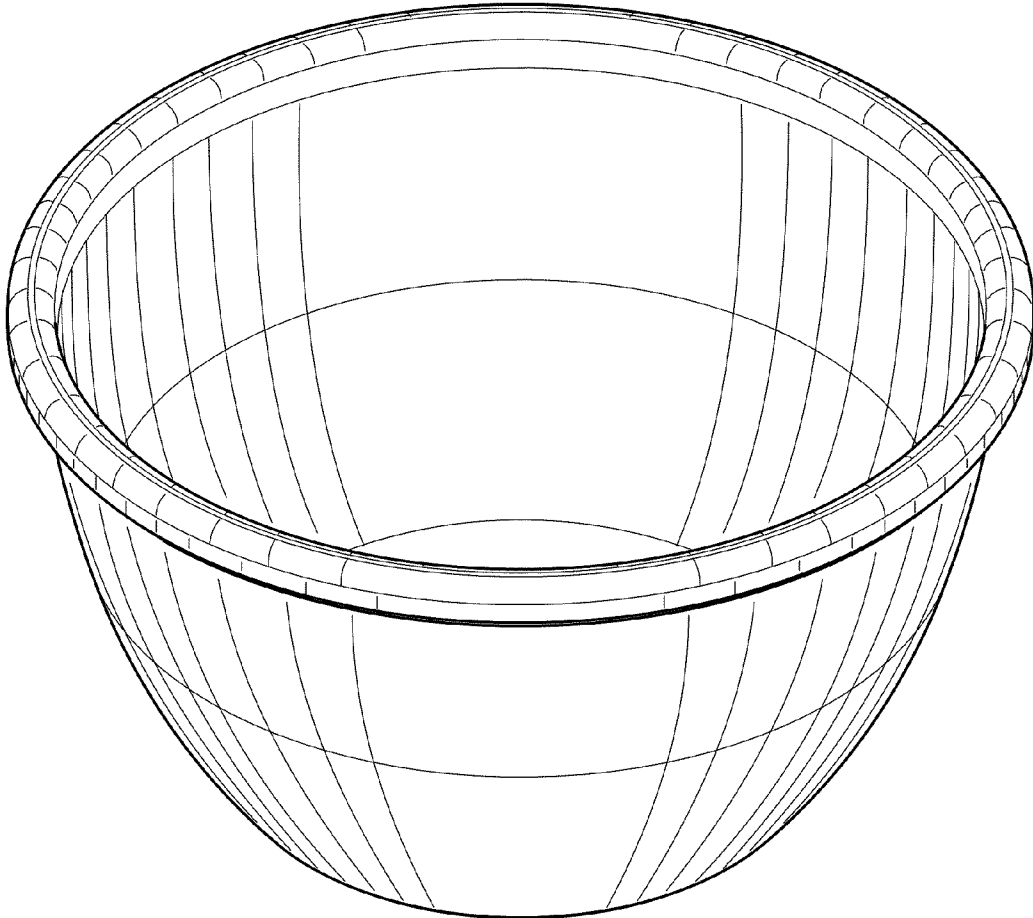


FIG. 9

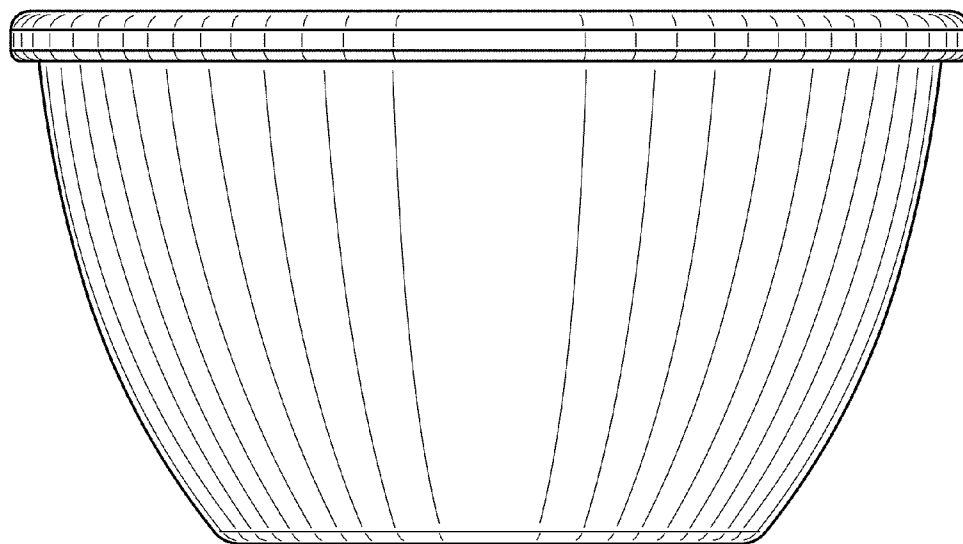


FIG. 10

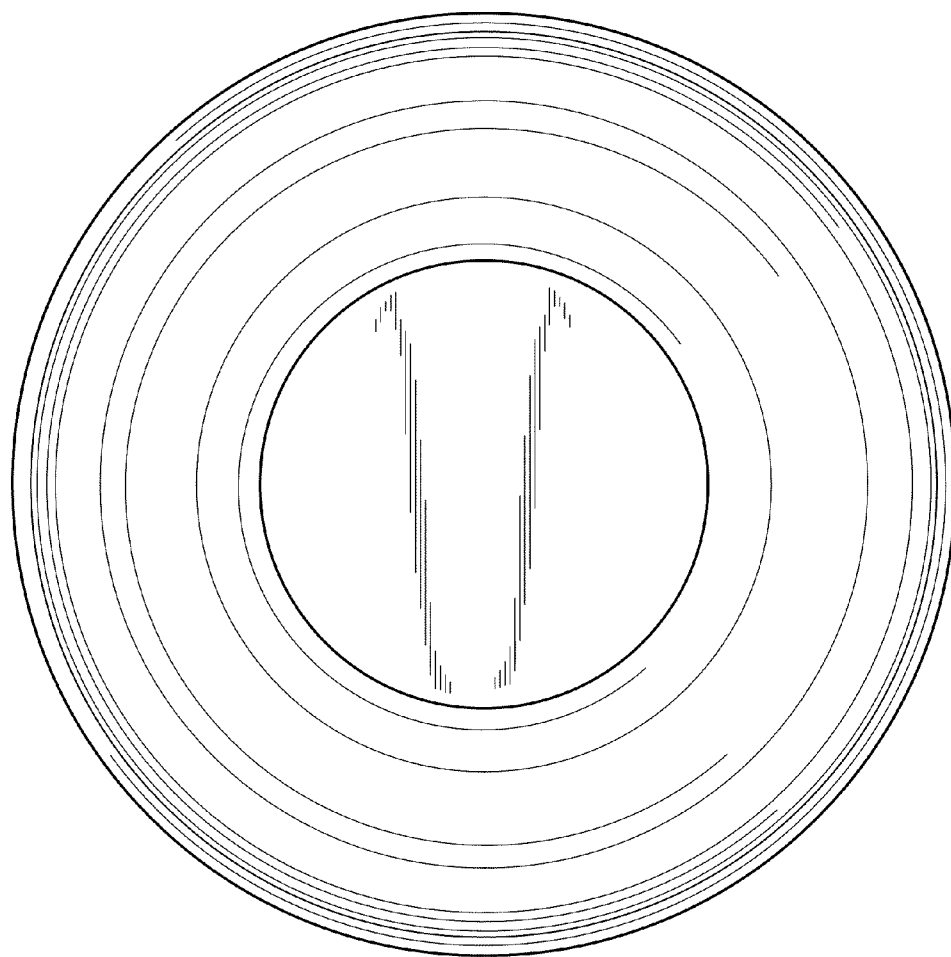


FIG. 11

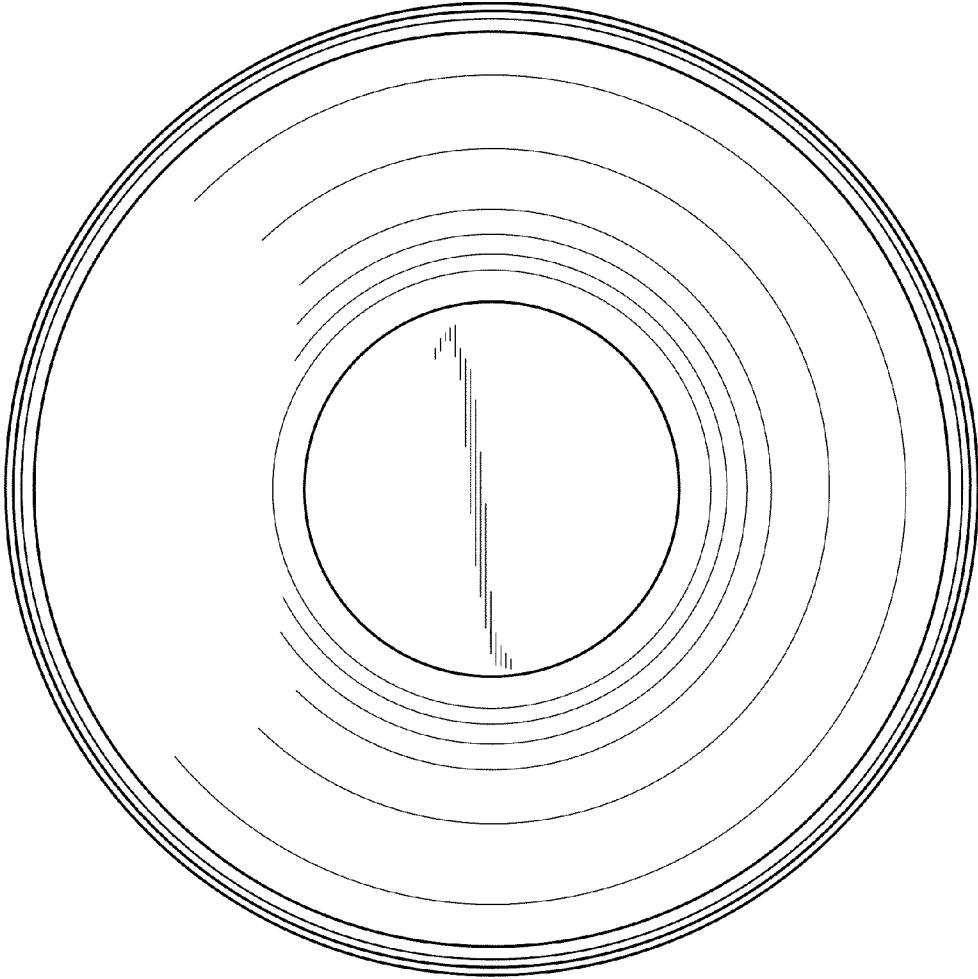


FIG. 12

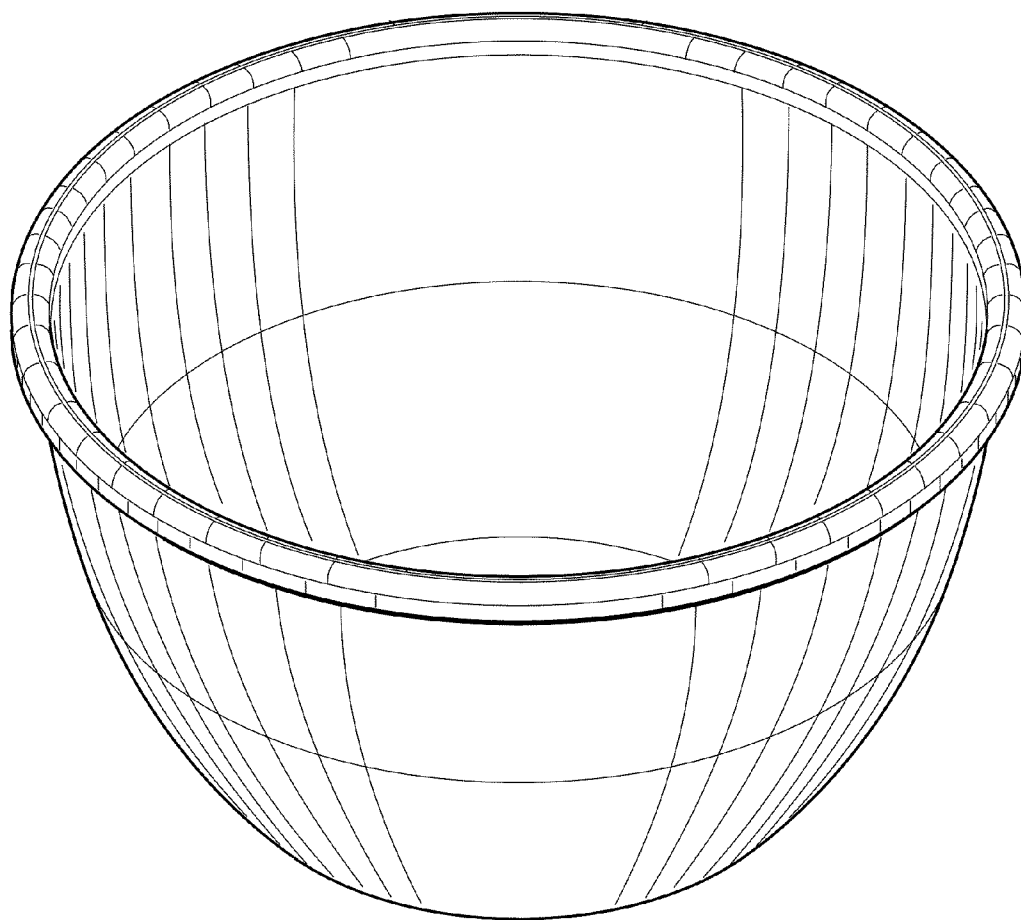


FIG. 13

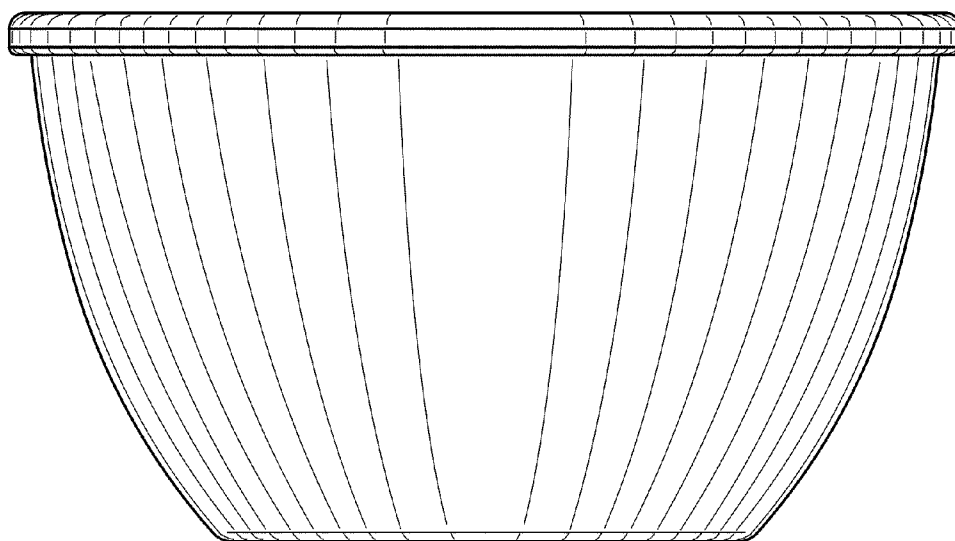


FIG. 14

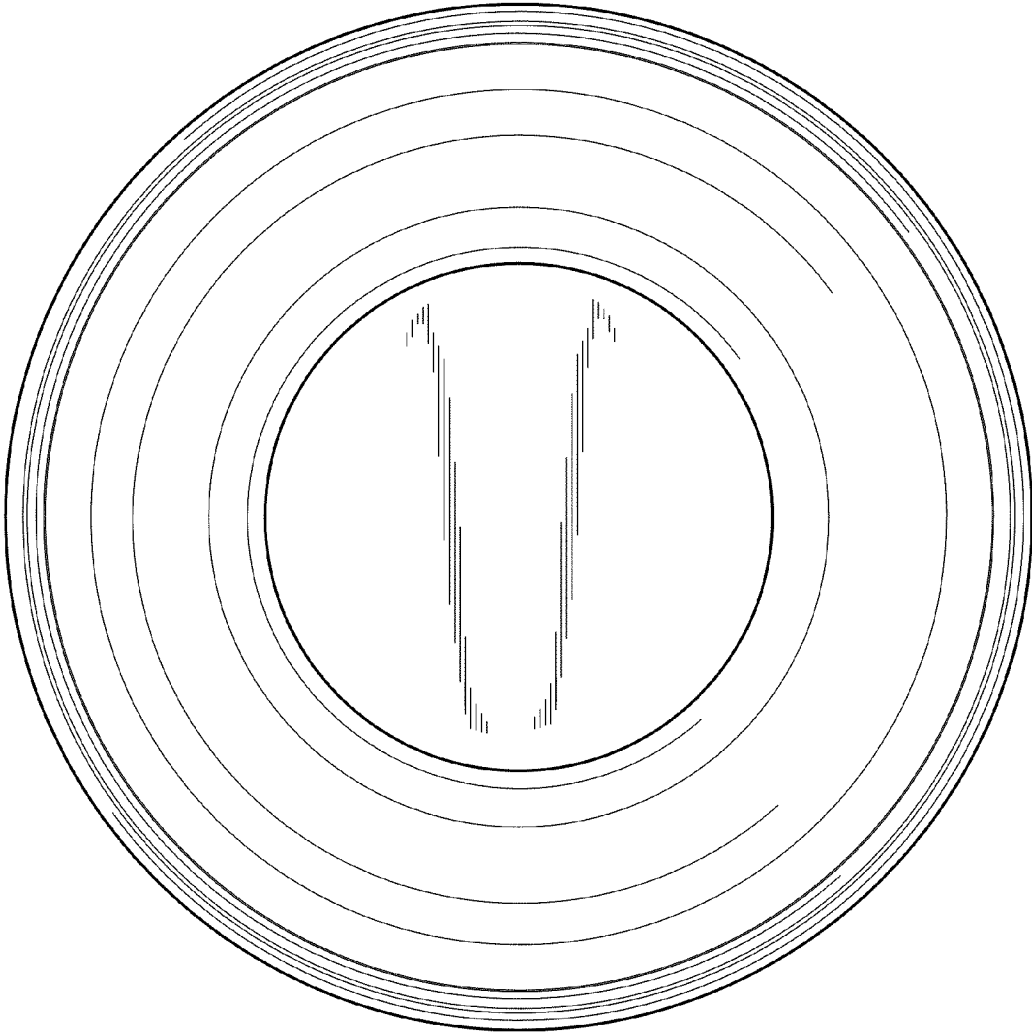


FIG. 15



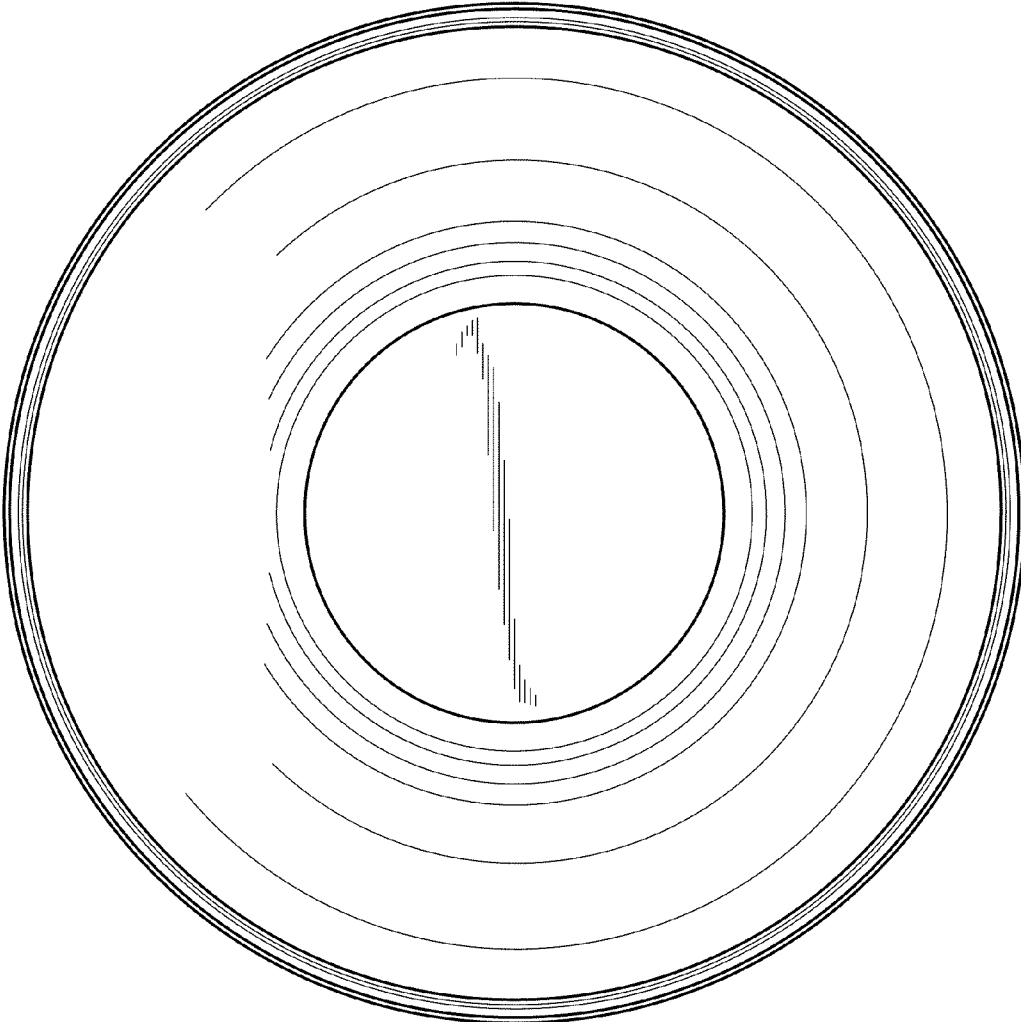


FIG. 16