



US00D804935S

(12) **United States Design Patent**
Son

(10) **Patent No.:** **US D804,935 S**

(45) **Date of Patent:** **** Dec. 12, 2017**

- (54) **CABLE TRAY**
- (71) Applicant: **THREES CO., LTD**, Uiryeong-gun,
Gyeongsangnam-do (KR)
- (72) Inventor: **Dongsik Son**, Busan (KR)
- (73) Assignee: **THREES CO., LTD**, Uiryeong-Gun
(KR)
- (**) Term: **15 Years**
- (21) Appl. No.: **29/545,229**
- (22) Filed: **Nov. 11, 2015**
- (30) **Foreign Application Priority Data**

D292,974 S *	12/1987	Kenning	D13/155
5,639,048 A *	6/1997	Bartholomew	F16L 3/26
				248/49
6,340,141 B1 *	1/2002	Rinderer	H02G 3/0456
				211/26
D587,562 S *	3/2009	Fernandez	D8/381
8,141,826 B1 *	3/2012	Gallardo	F16L 3/1091
				24/16 R
D668,945 S *	10/2012	Fernandez	D8/377
8,434,629 B2 *	5/2013	Fernandez	A47B 57/42
				211/103
9,024,188 B2 *	5/2015	Lacey, Jr.	H02G 3/0437
				174/68.3
9,054,506 B2 *	6/2015	Krietzman	H02G 3/0475
9,209,609 B2 *	12/2015	Kellerman	H02G 3/0608
D777,114 S *	1/2017	Winn	D13/155
2014/0252178 A1 *	9/2014	Myers	F16B 2/12
				248/74.1

(Continued)

May 11, 2015 (KR) 30-2015-0023850

- (51) **LOC (10) Cl.** **09-06**
- (52) **U.S. Cl.**
- USPC **D8/356**
- (58) **Field of Classification Search**
- USPC D24/128, 127, 108, 107; 604/180;
D8/356, 354, 349; D13/155; D25/33;
248/74.3
- CPC .. A61M 29/00; A61M 25/02; A61M 25/0133;
A61M 2025/024; A61M 2025/0266;
A61M 5/00; A61M 2039/087; F16G 1/00;
F16G 11/00; H02G 3/00; H02G 3/03;
H02G 3/04; H02G 3/0437; H02G 3/0608;
A43C 3/00; B63B 21/04; F16L 3/1058
- See application file for complete search history.

Primary Examiner — Cynthia Underwood
(74) *Attorney, Agent, or Firm* — Loza & Loza, LLP;
Heidi L. Eisenhut

(57) **CLAIM**

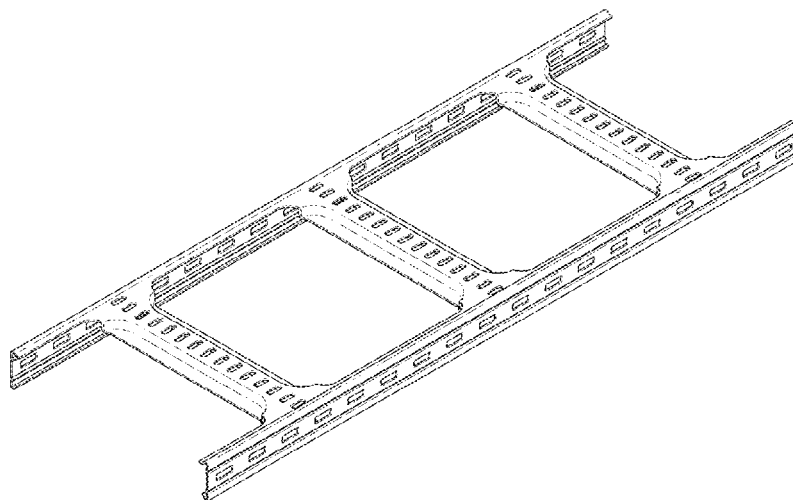
The ornamental design for a cable tray, as shown and described.

DESCRIPTION

FIG. 1 is a front, right side, perspective view of a cable tray showing my new design;
FIG. 2 is a front view of the cable tray of FIG. 1;
FIG. 3 is a rear view of the cable tray FIG. 1;
FIG. 4 is a left side view of the cable tray of FIG. 1;
FIG. 5 is a right side view of the cable tray of FIG. 1;
FIG. 6 is a top view of the cable tray of FIG. 1;
FIG. 7 is a bottom view of the cable tray of FIG. 1; and,
FIG. 8 is a front, right side, perspective view of the cable tray shown in an environment of use, the broken lines forming no part of the claim.

1 Claim, 5 Drawing Sheets

- (56) **References Cited**
- U.S. PATENT DOCUMENTS
- 3,042,351 A * 7/1962 Du Bois H02G 3/0437
248/49
- 3,521,543 A * 7/1970 Singer G03B 17/14
396/502



(56)

References Cited

U.S. PATENT DOCUMENTS

2016/0006227 A1* 1/2016 Tally H02G 3/0608
248/49

* cited by examiner

FIG. 1

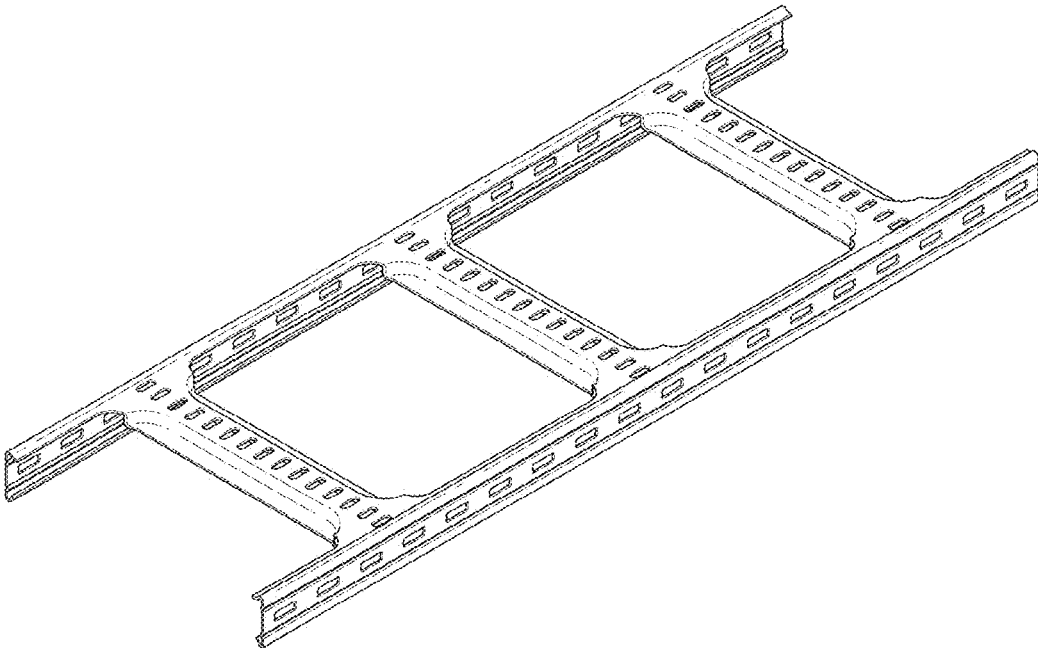


FIG. 2

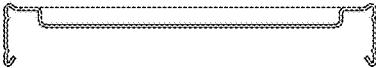


FIG. 3

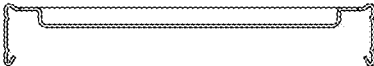


FIG. 4



FIG. 5

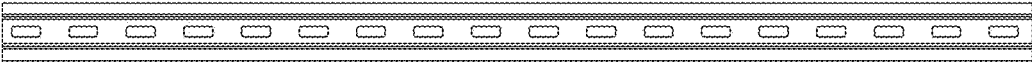


FIG. 6

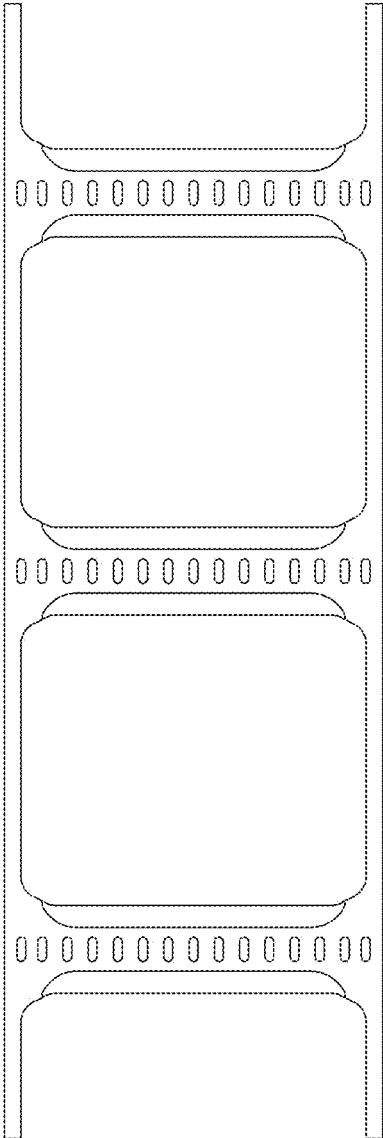


FIG. 7

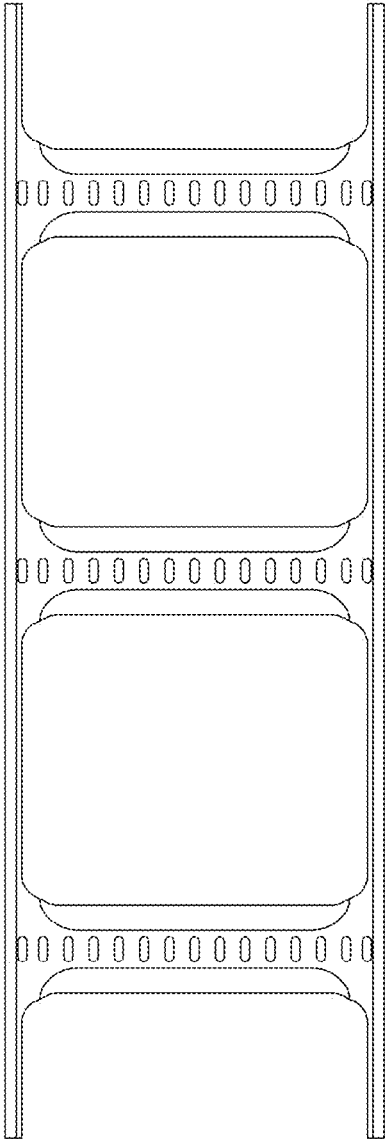


FIG. 8

