

(19) World Intellectual Property Organization
International Bureau



(43) International Publication Date
28 October 2010 (28.10.2010)

(10) International Publication Number
WO 2010/123604 A3

- (51) **International Patent Classification:**
F41A 21/28 (2006.01) *F41A 21/36* (2006.01)
- (21) **International Application Number:**
PCT/US2010/022293
- (22) **International Filing Date:**
27 January 2010 (27.01.2010)
- (25) **Filing Language:** English
- (26) **Publication Language:** English
- (30) **Priority Data:**
61/147,702 27 January 2009 (27.01.2009) US
- (72) **Inventor; and**
- (71) **Applicant :** WINDAUER, Bernard, T. [US/US]; 837 Second Avenue West, Kalispell, MT 59901-5414 (US).
- (74) **Agent:** CURTIN, Joseph, P.; 1469 N.W. Morgan Lane, Portland, OR 97229-5291 (US).
- (81) **Designated States** (unless otherwise indicated, for every kind of national protection available): AE, AG, AL, AM, AO, AT, AU, AZ, BA, BB, BG, BH, BR, BW, BY, BZ, CA, CH, CL, CN, CO, CR, CU, CZ, DE, DK, DM, DO, DZ, EC, EE, EG, ES, FI, GB, GD, GE, GH, GM, GT, HN, HR, HU, ID, IL, IN, IS, JP, KE, KG, KM, KN, KP, KR, KZ, LA, LC, LK, LR, LS, LT, LU, LY, MA, MD,

ME, MG, MK, MN, MW, MX, MY, MZ, NA, NG, NI, NO, NZ, OM, PE, PG, PH, PL, PT, RO, RS, RU, SC, SD, SE, SG, SK, SL, SM, ST, SV, SY, TH, TJ, TM, TN, TR, TT, TZ, UA, UG, US, UZ, VC, VN, ZA, ZM, ZW.

(84) **Designated States** (unless otherwise indicated, for every kind of regional protection available): ARIPO (BW, GH, GM, KE, LS, MW, MZ, NA, SD, SL, SZ, TZ, UG, ZM, ZW), Eurasian (AM, AZ, BY, KG, KZ, MD, RU, TJ, TM), European (AT, BE, BG, CH, CY, CZ, DE, DK, EE, ES, FI, FR, GB, GR, HR, HU, IE, IS, IT, LT, LU, LV, MC, MK, MT, NL, NO, PL, PT, RO, SE, SI, SK, SM, TR), OAPI (BF, BJ, CF, CG, CI, CM, GA, GN, GQ, GW, ML, MR, NE, SN, TD, TG).

Declarations under Rule 4.17:

— of inventorship (Rule 4.17(iv))

Published:

- with international search report (Art. 21(3))
- before the expiration of the time limit for amending the claims and to be republished in the event of receipt of amendments (Rule 48.2(h))

(88) **Date of publication of the international search report:**
6 January 2011

(54) **Title:** PRESSURE-REGULATED GAS BLOCK

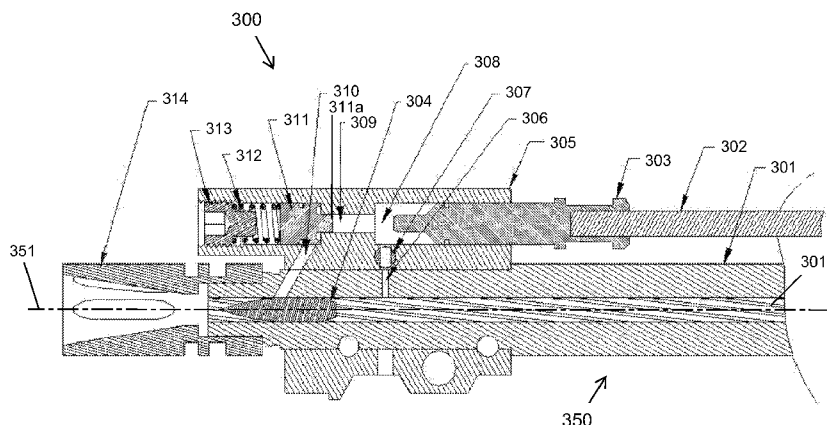


FIG. 3B

(57) **Abstract:** A gas block assembly for a firearm comprises a gas cylinder fluidly coupled to the bore of a barrel of the firearm through a gas inlet port, and an automatically adjusting gas pressure relief port. The gas cylinder receives a gas pressure generated in the barrel of the firearm, and the gas pressure relief port vents gas pressure in the gas cylinder directly or indirectly into the bore of the barrel of the firearm or attached sound suppressor if the gas pressure in the gas cylinder is greater than or equal to a predetermined and preset gas pressure. A pressure relief mechanism is fluidly coupled between the gas cylinder and the gas pressure relief port and vents gas pressure from the gas cylinder to the gas pressure relief port if the gas pressure in the gas cylinder is greater than or equal to the predetermined gas pressure.



WO 2010/123604 A3

INTERNATIONAL SEARCH REPORT

International application No.
PCT/US2010/022293**A. CLASSIFICATION OF SUBJECT MATTER****F41A 21/28(2006.01)i, F41A 21/36(2006.01)i**

According to International Patent Classification (IPC) or to both national classification and IPC

B. FIELDS SEARCHED

Minimum documentation searched (classification system followed by classification symbols)

F41A 21/28; F41A 5/00; F41A 3/00; F41A 5/10; F41A 5/26; F41A 15/16

Documentation searched other than minimum documentation to the extent that such documents are included in the fields searched

Korean utility models and applications for utility models

Japanese utility models and applications for utility models

Electronic data base consulted during the international search (name of data base and, where practicable, search terms used)

eKOMPASS(KIPO internal) & Keywords: "gas", "block", "relief", and "firearm"

C. DOCUMENTS CONSIDERED TO BE RELEVANT

| Category* | Citation of document, with indication, where appropriate, of the relevant passages | Relevant to claim No. |
|-----------|--|-----------------------|
| X A | WO 2008-014984 A1 (HECKLER & KOCH GMBH et al.) 07 February 2008 See page 1, line 5 - page 12, line 5; and fig. 1. | 1,5 2-4,6-19 |
| A | US 5351598 A1 (SCHUETZ; ROBERT C. E.) 04 October 1994 See abstract and fig.1. | 1-19 |
| A | US 6606934 B1 (ROCK; MICHAEL B. et al.) 19 August 2003 See abstract and fig.6. | 1-19 |
| A | US 5726377 A1 (HARRIS; MICHAEL R. et al.) 10 March 1998 See abstract and fig.3. | 1-19 |

 Further documents are listed in the continuation of Box C. See patent family annex.

* Special categories of cited documents:

"A" document defining the general state of the art which is not considered to be of particular relevance

"E" earlier application or patent but published on or after the international filing date

"L" document which may throw doubts on priority claim(s) or which is cited to establish the publication date of citation or other special reason (as specified)

"O" document referring to an oral disclosure, use, exhibition or other means

"P" document published prior to the international filing date but later than the priority date claimed

"T" later document published after the international filing date or priority date and not in conflict with the application but cited to understand the principle or theory underlying the invention

"X" document of particular relevance; the claimed invention cannot be considered novel or cannot be considered to involve an inventive step when the document is taken alone

"Y" document of particular relevance; the claimed invention cannot be considered to involve an inventive step when the document is combined with one or more other such documents, such combination being obvious to a person skilled in the art

"&" document member of the same patent family

Date of the actual completion of the international search

25 OCTOBER 2010 (25.10.2010)

Date of mailing of the international search report

26 OCTOBER 2010 (26.10.2010)

Name and mailing address of the ISA/KR

Korean Intellectual Property Office
Government Complex-Daejeon, 139 Seonsa-ro, Seo-
gu, Daejeon 302-701, Republic of Korea

Facsimile No. 82-42-472-7140

Authorized officer

HAN, JAE SEOB

Telephone No. 82-42-481-5439



INTERNATIONAL SEARCH REPORT

Information on patent family members

International application No.

PCT/US2010/022293

| Patent document cited in search report | Publication date | Patent family member(s) | Publication date |
|--|------------------|-------------------------|------------------|
| WO 2008-014984 A1 | 07.02.2008 | CA 2659573-A1 | 07.02.2008 |
| | | DE 102006056130 A1 | 07.02.2008 |
| | | EP 2047204 A1 | 15.04.2009 |
| | | KR 10-2009-0043503 A | 06.05.2009 |
| | | KR20090043503A | 06.05.2009 |
| | | US 2009-0229454 A1 | 17.09.2009 |
| | | US 2009-229454 A1 | 17.09.2009 |
| | | WO 2008-014984 A1 | 07.02.2008 |
| | | US 5351598 A1 | 04.10.1994 |
| US 6606934 B1 | 19.08.2003 | None | |
| US 5726377 A1 | 10.03.1998 | EP 0906552 A1 | 07.04.1999 |
| | | EP 0906552 A1 | 18.07.2001 |
| | | US 5827992 A1 | 27.10.1998 |
| | | WO 97-48958 A1 | 24.12.1997 |
| | | | |