



US00D738200S

(12) **United States Design Patent**
Forrest

(10) **Patent No.:** **US D738,200 S**

(45) **Date of Patent:** **** Sep. 8, 2015**

(54) **ONE-PIECE CLIP**

(71) Applicant: **Warren Noel Forrest**, Dana Point, CA
(US)

(72) Inventor: **Warren Noel Forrest**, Dana Point, CA
(US)

(**) Term: **14 Years**

(21) Appl. No.: **29/511,611**

(22) Filed: **Dec. 12, 2014**

(51) **LOC (10) Cl.** **08-08**

(52) **U.S. Cl.**

USPC **D8/395**; D32/61

(58) **Field of Classification Search**

USPC D8/394-396, 72; D19/56, 65;
D32/60-64, 61; D28/40; 24/67.3

CPC D06F 55/00; A44D 2203/00; A61B
17/0664; A61B 17/04; A61B 17/1265; A43D
79/00; A41B 3/08; A41F 15/02; A62F 2/0063

See application file for complete search history.

(56) **References Cited**

U.S. PATENT DOCUMENTS

3,317,973	A *	5/1967	Finkle	24/564
D229,033	S *	11/1973	Cooper	D8/395
4,506,416	A *	3/1985	Ohminato et al.	24/67 R
D302,654	S *	8/1989	Cetrone	D8/395
D309,809	S *	8/1990	Davidson	D32/61
5,052,085	A *	10/1991	Gau	24/501
D322,390	S *	12/1991	Nimtz et al.	D8/395
5,179,768	A *	1/1993	Jio	24/545
5,305,500	A *	4/1994	Tucker	24/30.5 R
5,414,911	A *	5/1995	Adams	24/545
D360,053	S *	7/1995	Wilborn et al.	D28/38
5,464,413	A *	11/1995	Siska et al.	606/151
D367,223	S *	2/1996	Adams	D8/395
5,645,254	A *	7/1997	Ng et al.	248/206.2
D386,215	S *	11/1997	White et al.	D20/43
D393,117	S *	3/1998	Doyle et al.	D32/61

D447,048	S *	8/2001	Beloff	D8/395
D447,564	S *	9/2001	Stewart, Jr.	D24/143
D450,571	S *	11/2001	Chen	D8/395
D454,296	S *	3/2002	Masson et al.	D8/395
D467,400	S *	12/2002	Barre et al.	D32/61
D552,978	S *	10/2007	Liao	D8/395
D571,179	S *	6/2008	Ahlgren	D8/72
D599,520	S *	9/2009	Boesi et al.	D32/61
D644,550	S *	9/2011	Spencer et al.	D10/116.1
D658,114	S *	4/2012	Gammelgard	D12/417
8,181,317	B2 *	5/2012	Kim	24/557
D664,838	S *	8/2012	Parks	D8/395
D674,685	S *	1/2013	Dixon	D8/395
8,388,011	B2 *	3/2013	Spencer et al.	280/304.2
D709,195	S *	7/2014	Peck	D24/143

* cited by examiner

Primary Examiner — John Windmuller

(74) *Attorney, Agent, or Firm* — Loyal McKinley Hanson

(57) **CLAIM**

I claim the ornamental design for a one-piece clip, as shown and described.

DESCRIPTION

FIG. 1 of the drawings is a perspective view showing the front side, the top, and a first side of a one-piece clip embodying the design of my invention;

FIG. 2 is an elevation view of the back side of the one-piece clip;

FIG. 3 is an elevation view of a second side of the one-piece clip;

FIG. 4 is a top view of the one-piece clip; and

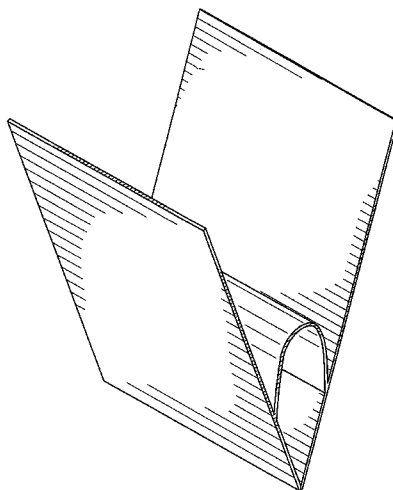
FIG. 5 is a bottom view of the one-piece clip; and,

FIG. 6 is a reduced-in-scale environmental view of the one-piece clip, showing it holding a previously opened snack bag in a closed configuration.

The portions shown in broken lines in FIG. 6 are for illustrative purposes only and form no part of the claimed design.

The one-piece clip is a clamp device for retaining a snack bag and other bags in a closed configuration after opening.

1 Claim, 6 Drawing Sheets



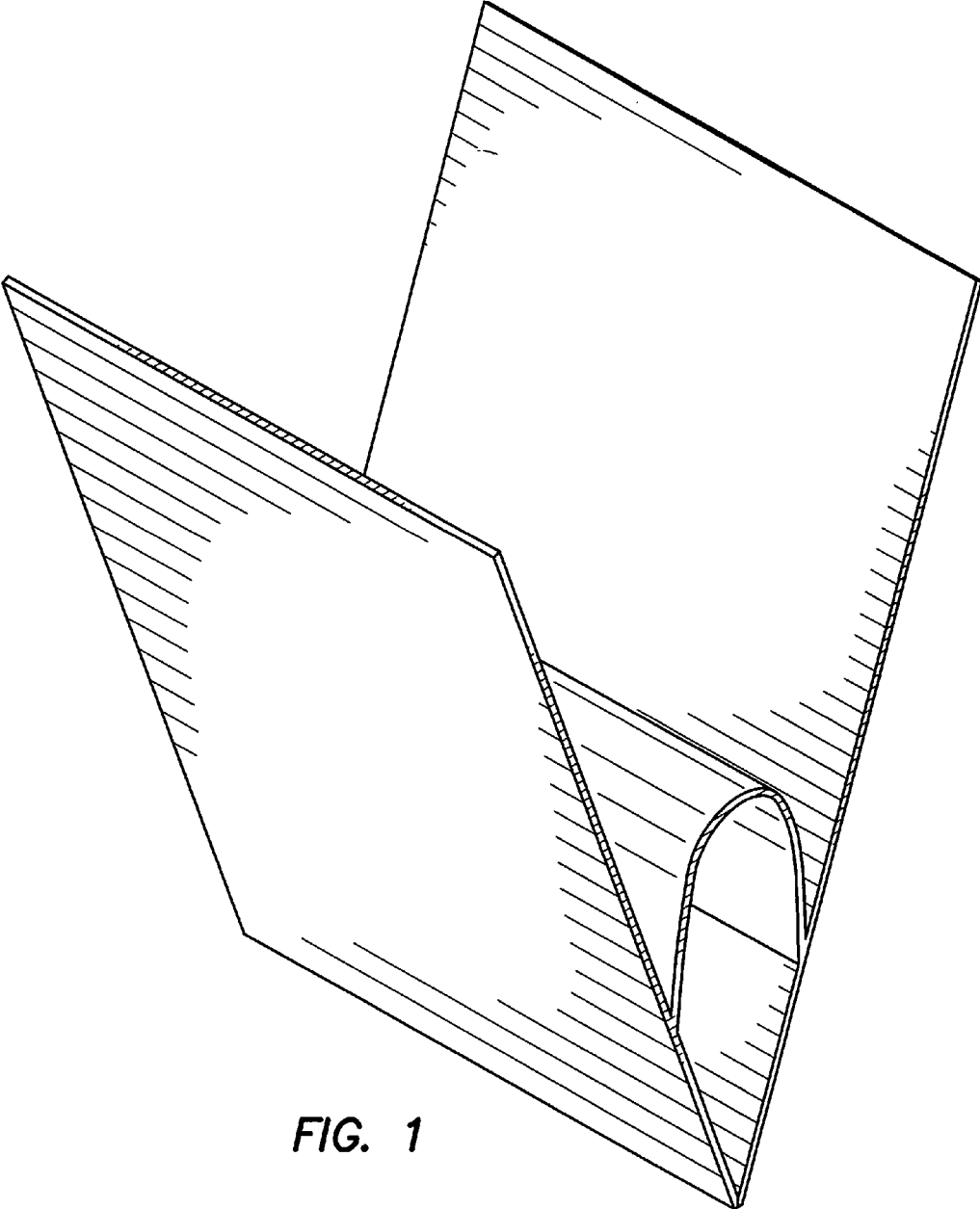


FIG. 1

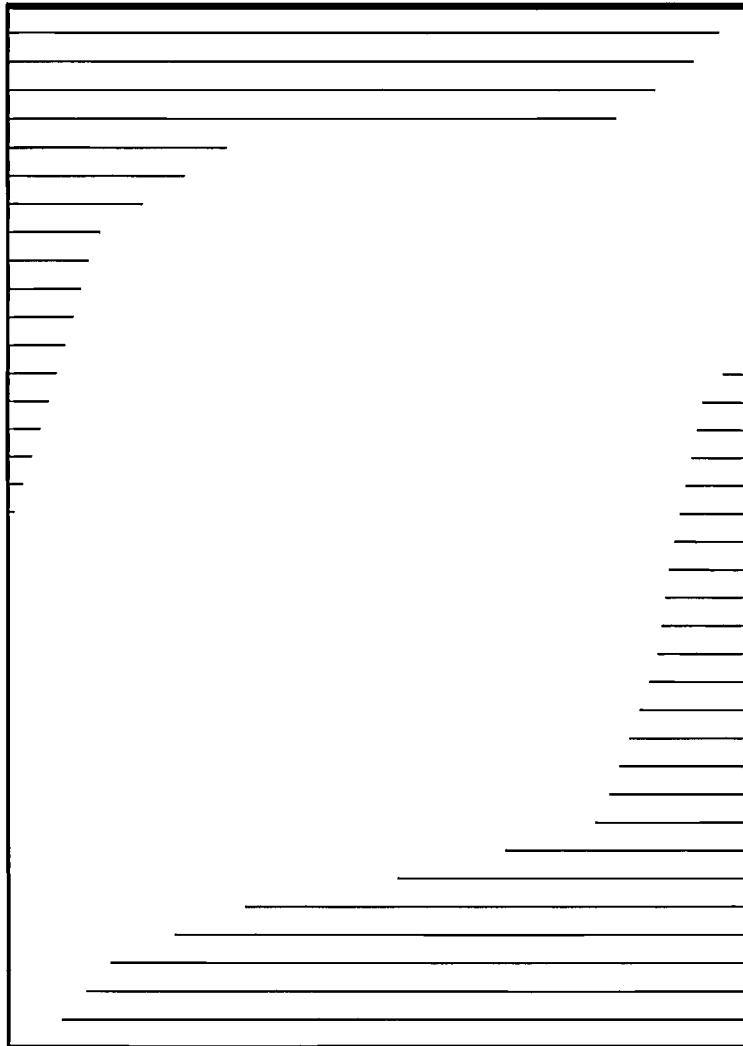


FIG. 2

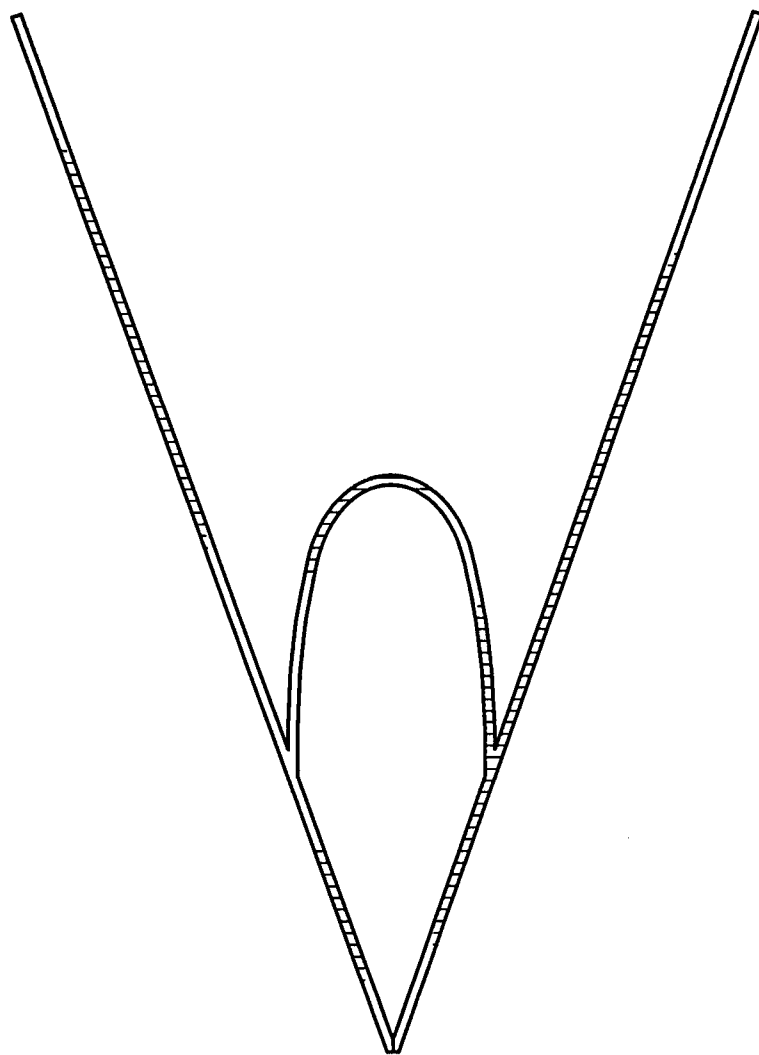


FIG. 3

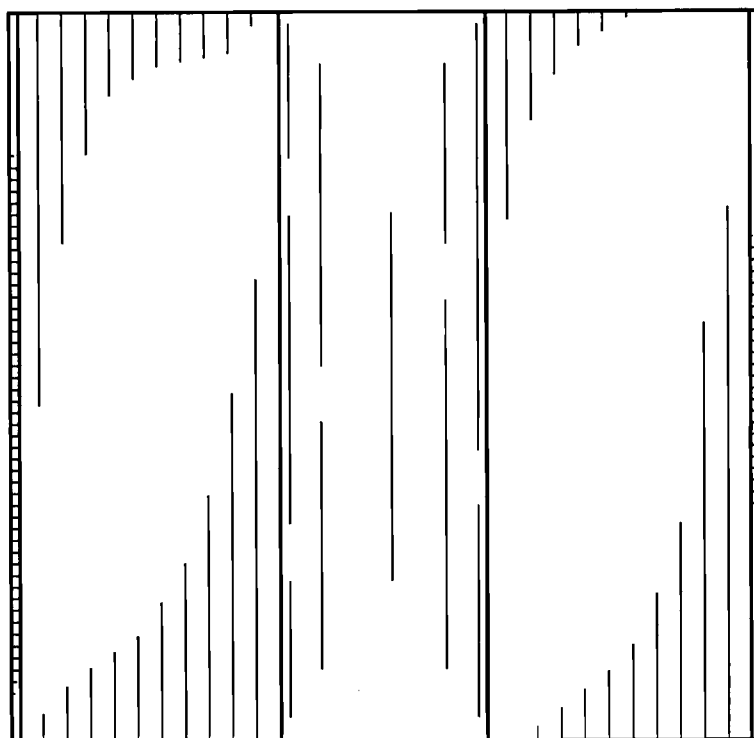


FIG. 4

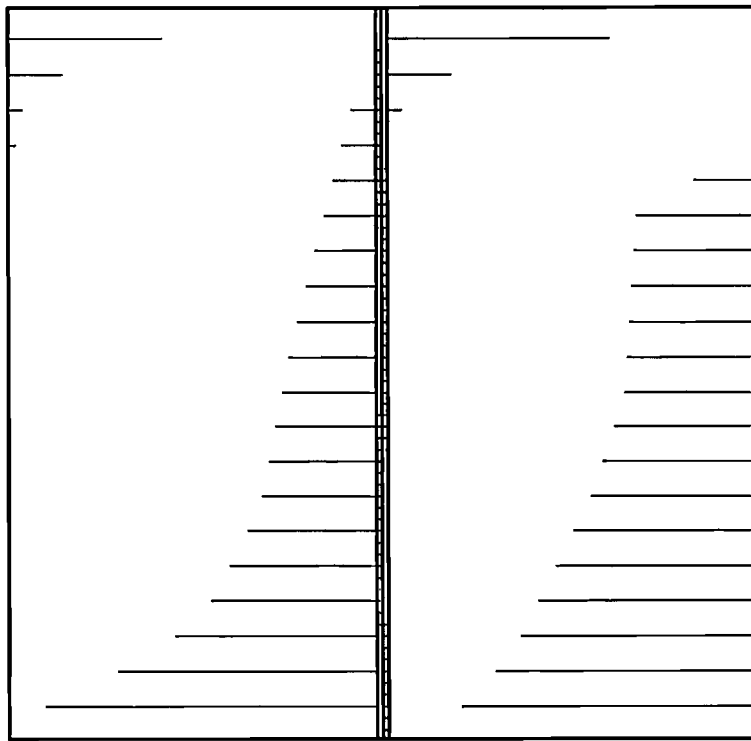


FIG. 5

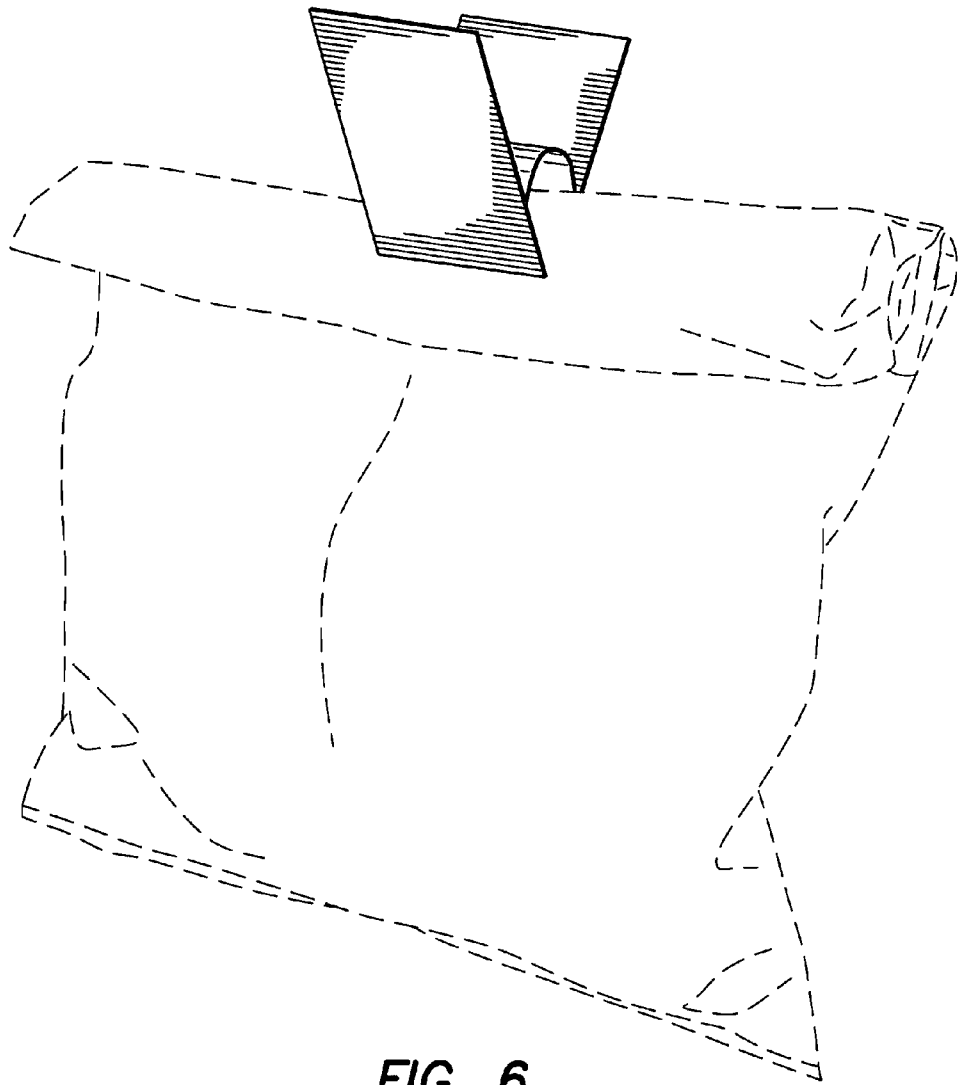


FIG. 6