



US00D822766S

(12) **United States Design Patent**
Costa

(10) **Patent No.:** **US D822,766 S**

(45) **Date of Patent:** **** Jul. 10, 2018**

- (54) **GAMING MACHINE**
- (71) Applicant: **FBM Systems and Electronics, Inc.**,
Olongapo (PH)
- (72) Inventor: **Amarilio do Amaral Duarte Costa**,
Olongapo (PH)
- (73) Assignee: **FBM Systems and Electronics, Inc.**,
Olongapo (PH)
- (**) Term: **15 Years**

D449,346 S *	10/2001	Gatto	D21/325
6,481,713 B2 *	11/2002	Perrie	G07F 17/34 273/142 R
D496,407 S *	9/2004	Gadda	D21/325
D525,665 S *	7/2006	Karlsson	D21/329
D559,917 S *	1/2008	Cole	D21/369
D596,678 S *	7/2009	Myers	D21/370
D608,396 S *	1/2010	Wang	D21/325
D623,240 S *	9/2010	Osuka	D21/369
7,789,760 B2 *	9/2010	Roireau	G07F 17/3202 463/20
D637,238 S *	5/2011	O'Keene	D21/370
D693,884 S	11/2013	Galdini Ferrazoli	
D706,741 S *	6/2014	Myers	D14/172

(21) Appl. No.: **29/604,454**

* cited by examiner

(22) Filed: **May 17, 2017**

Primary Examiner — Prabhakar Deshmukh

(51) **LOC (11) Cl.** **21-01**

(74) *Attorney, Agent, or Firm* — Margaret S. Millikin

(52) **U.S. Cl.**

USPC **D21/325**; D14/172; D14/369

(58) **Field of Classification Search**

(57) **CLAIM**

USPC D14/172, 173, 203.1–203.7, 496, 188,
D14/265; D21/324, 325, 369;
273/148 B; 463/1, 28–35, 46, 47; 369/1,
369/6–12, 24.01, 30.06, 30.07, 30.08,
369/30.23; 710/1; 711/100, 111
CPC A63F 9/00; A63F 9/24; A63F 1/00; A63F
3/00; G07F 17/32; G07F 17/3211; G07F
17/3216; G07F 17/322; G07F 17/3272;
G07F 17/3283

The ornamental design for a gaming machine, as shown and described.

See application file for complete search history.

DESCRIPTION

FIG. 1 is a perspective view of the gaming machine according to the present design;
 FIG. 2 is a front view thereof;
 FIG. 3 is a left side view thereof;
 FIG. 4 is a right side view thereof;
 FIG. 5 is a back view thereof;
 FIG. 6 is a top view thereof; and,
 FIG. 7 is a bottom view thereof.

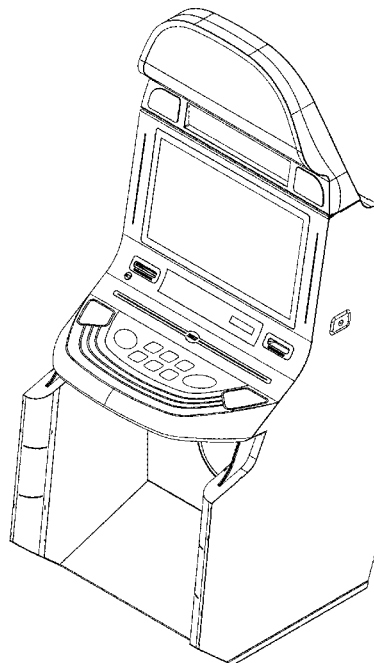
The broken lines illustrate unclaimed portions and form no part of the claimed design.

(56) **References Cited**

U.S. PATENT DOCUMENTS

5,813,914 A *	9/1998	McKay	G07F 17/32 273/143 R
6,201,532 B1 *	3/2001	Tode	G06F 3/041 248/917

1 Claim, 7 Drawing Sheets



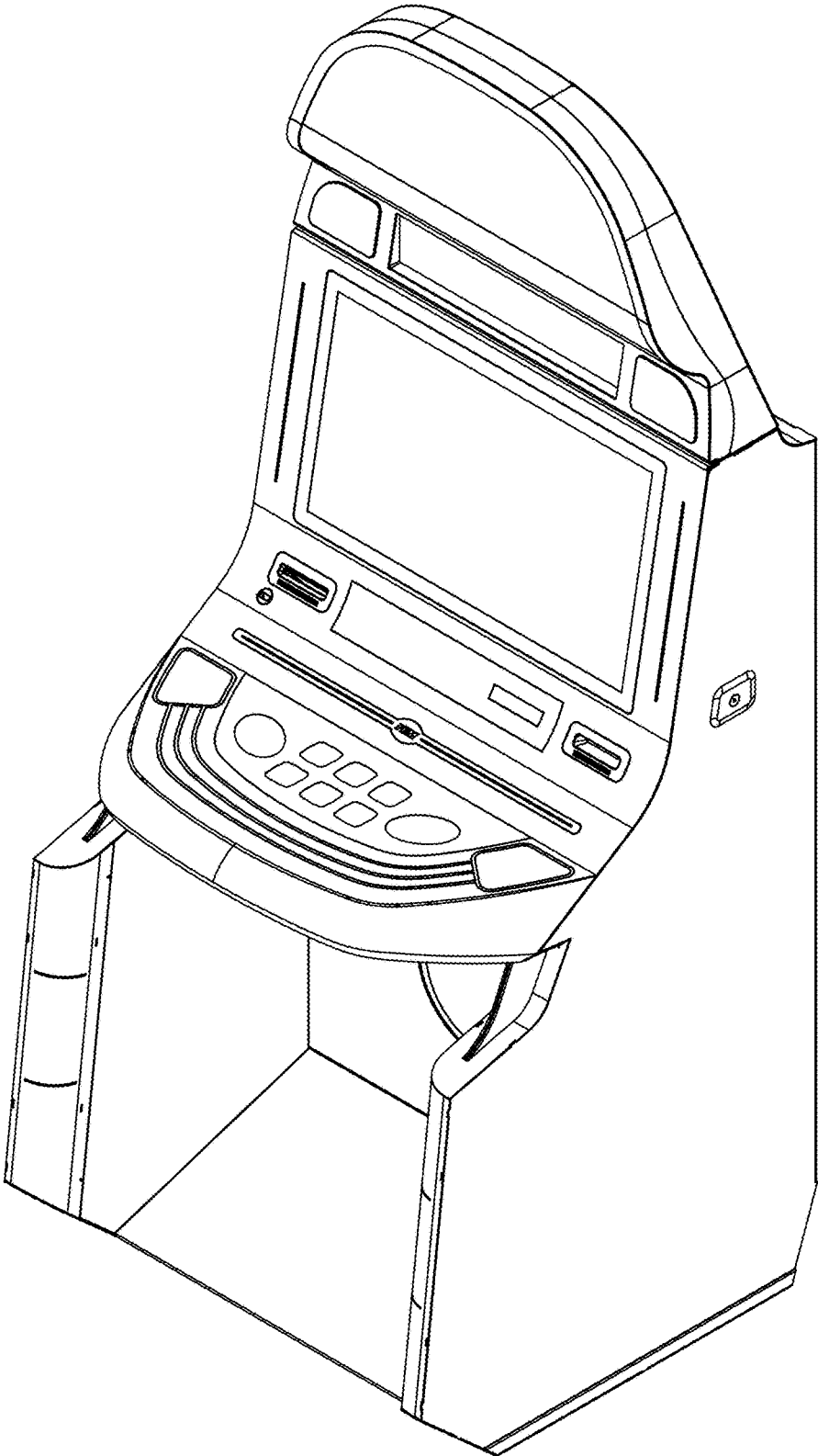


Fig. 1

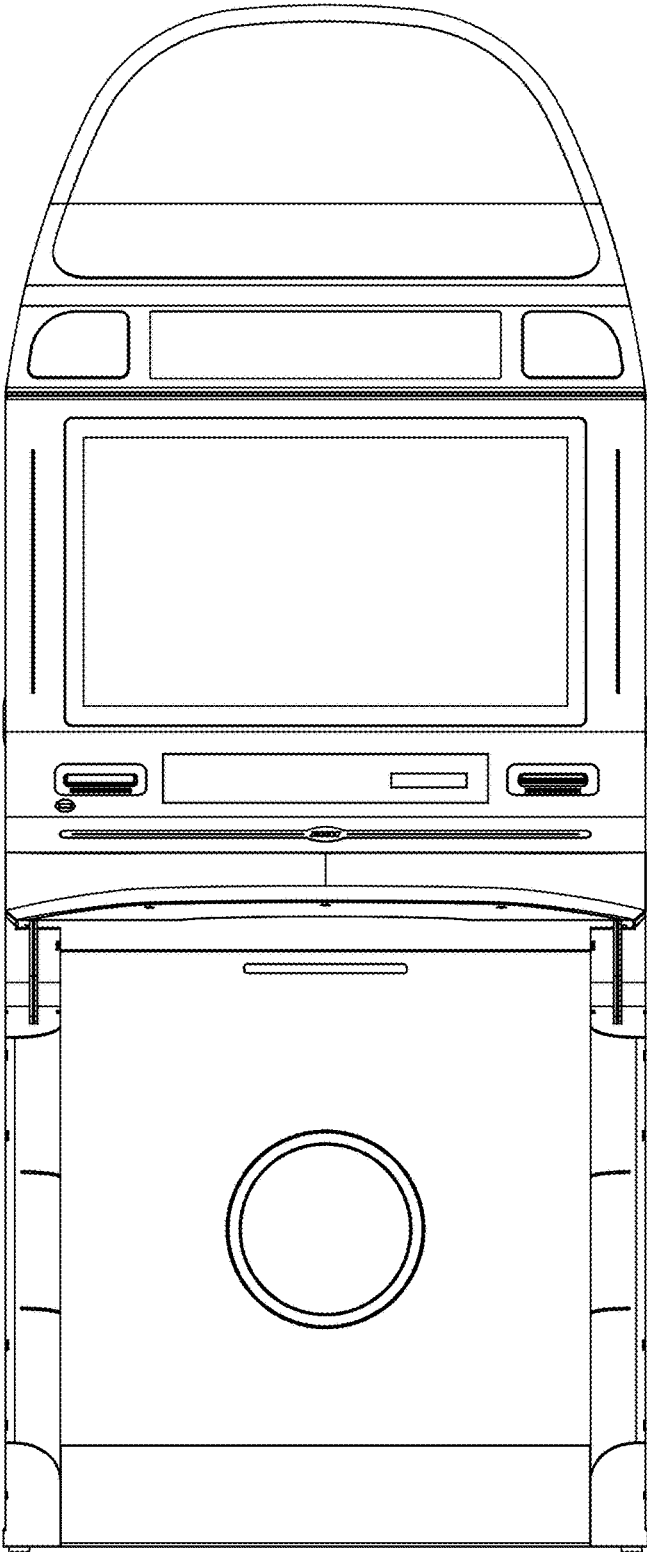


Fig. 2

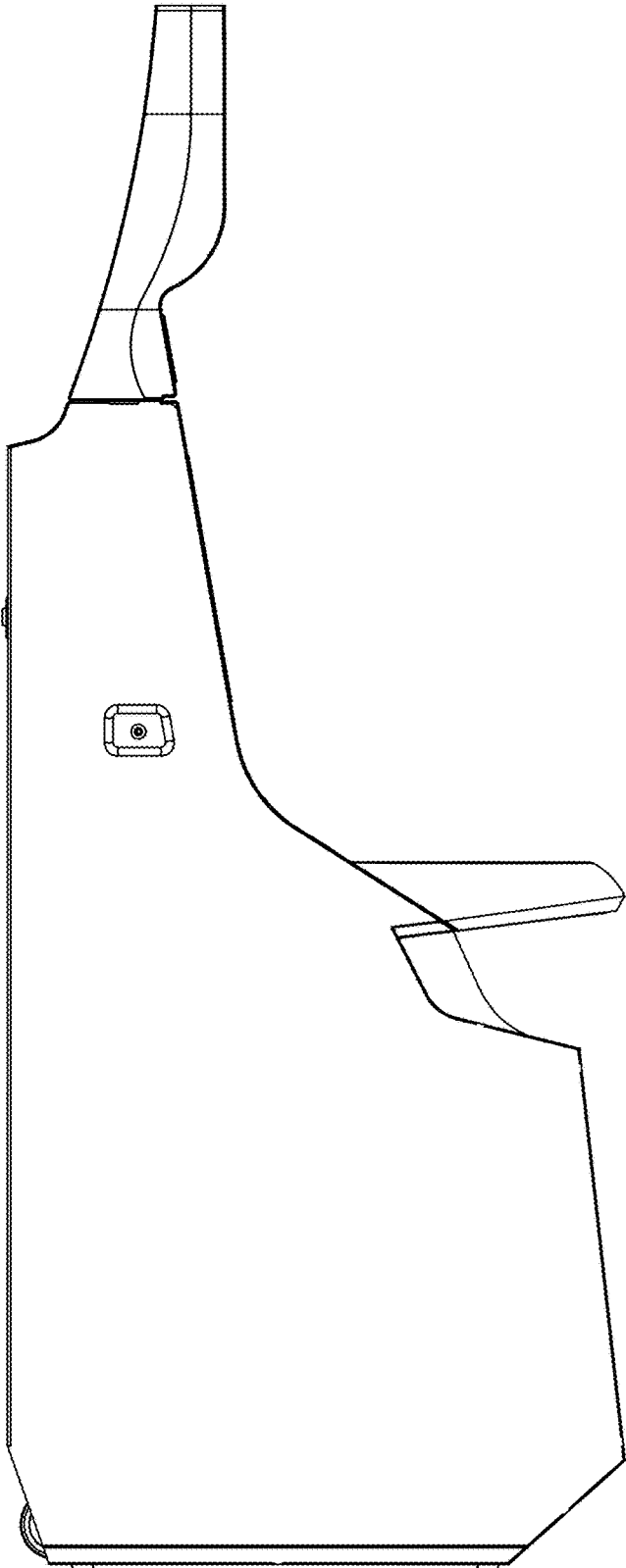


Fig. 3

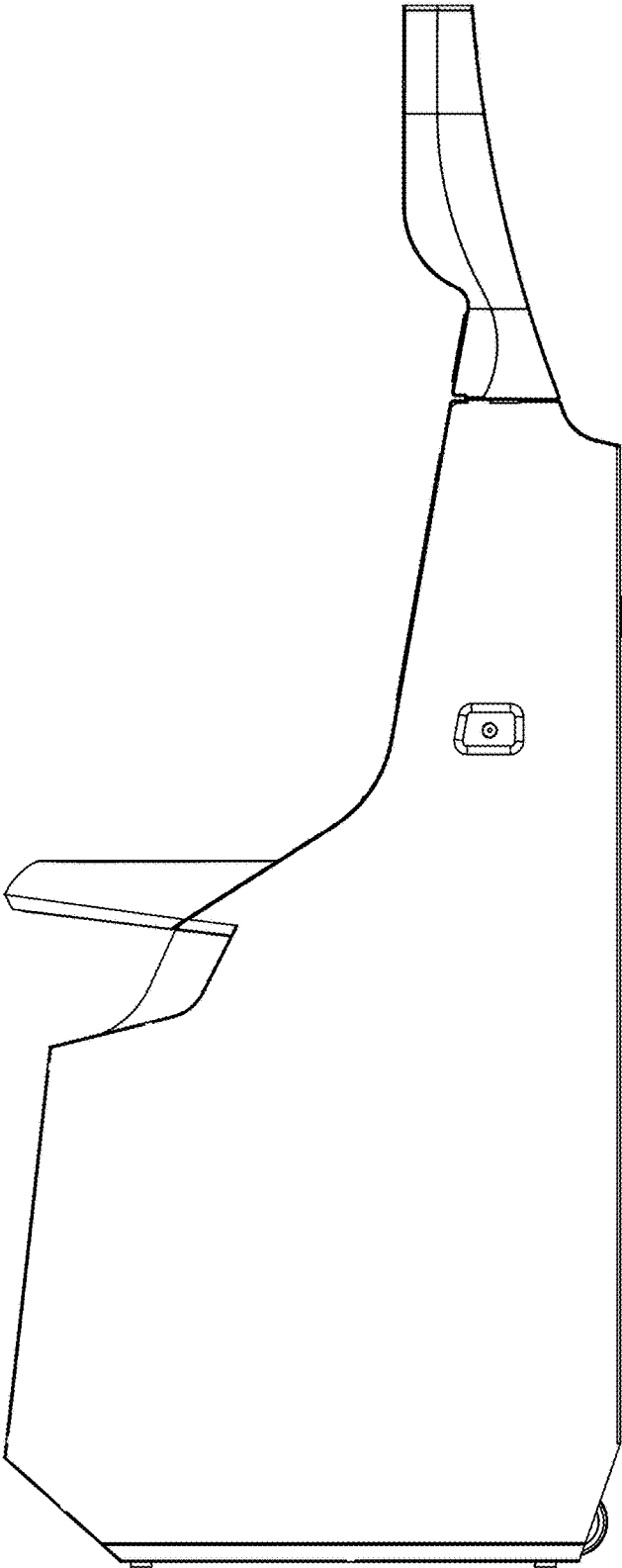


Fig. 4

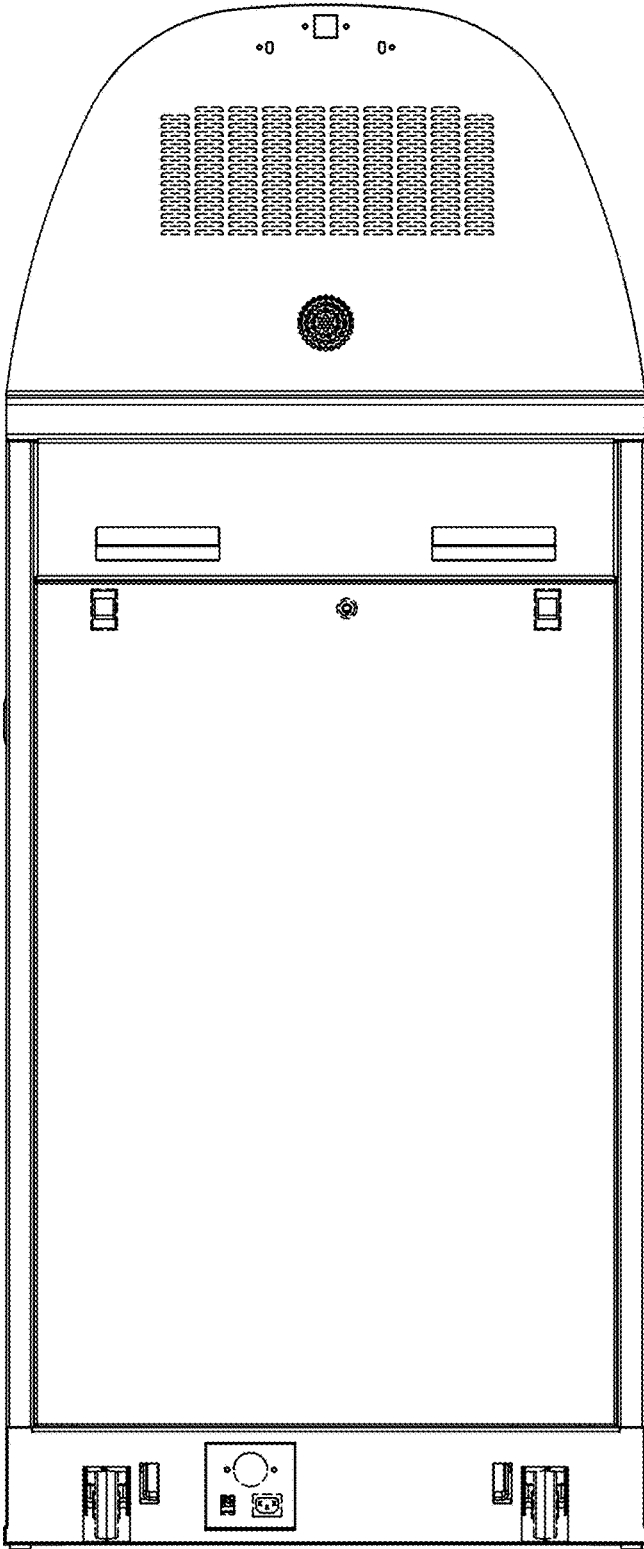


Fig. 5

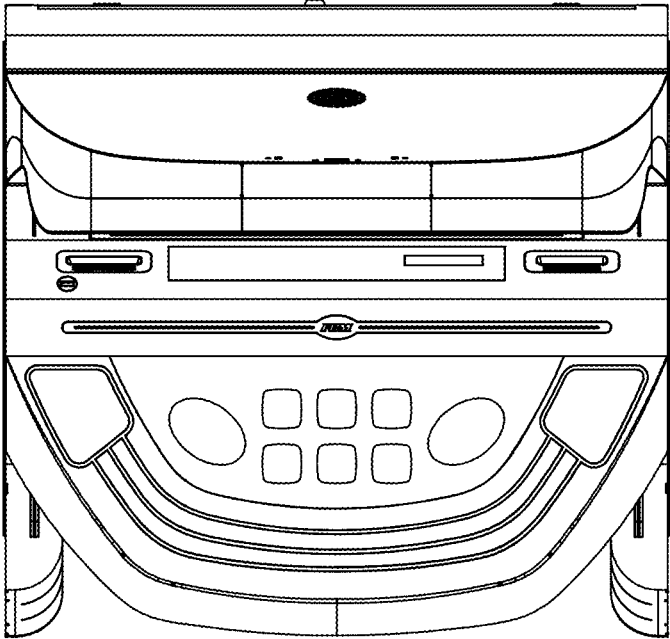


Fig. 6

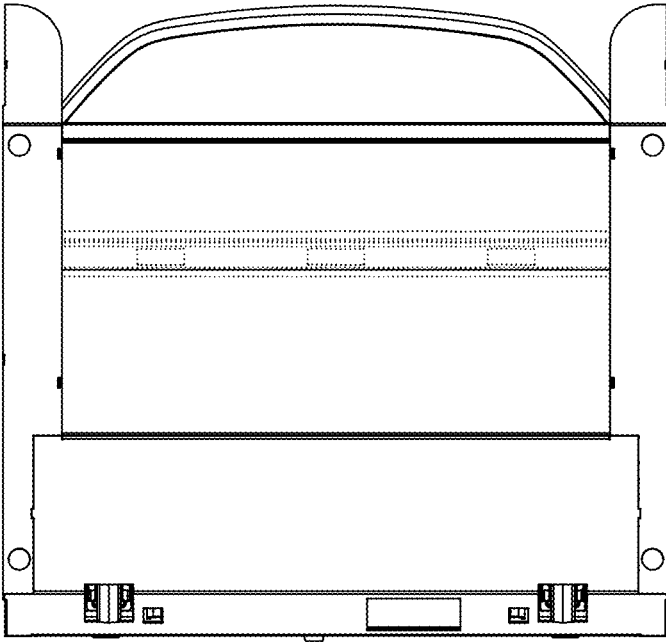


Fig. 7