



(12) **United States Design Patent**
Ruff

(10) **Patent No.:** **US D855,680 S**
(45) **Date of Patent:** **** Aug. 6, 2019**

(54) **OBJECTIVE LENS**

(71) Applicant: **Carl Zeiss AG**, Oberkochen (DE)

(72) Inventor: **Peter Ruff**, Aalen (DE)

(73) Assignee: **Carl Zeiss AG**, Oberkochen (DE)

(**) Term: **15 Years**

(21) Appl. No.: **29/621,482**

(22) Filed: **Oct. 9, 2017**

(30) **Foreign Application Priority Data**

Apr. 8, 2017 (DE) 40 2017 000 488

(51) **LOC (12) Cl.** **16-05**

(52) **U.S. Cl.**
USPC **D16/219**

(58) **Field of Classification Search**

USPC D16/134, 136, 200, 202–205, 218, 219,
D16/235, 242; 348/373–376;
359/826–828; 396/529–532, 535,
396/539–541

CPC G03B 17/02; G03B 19/04; G03B 17/56;
G03B 17/04; G03B 15/03; G03B 17/14;
H04N 5/2251; H04N 5/2252; H04N
5/2253; H04N 5/2254; G02B 7/02; G02B
7/04; G02B 7/14

See application file for complete search history.

(56) **References Cited**

U.S. PATENT DOCUMENTS

D243,172 S	1/1977	Uetake et al.	
D247,500 S	3/1978	Isono	
D247,569 S	3/1978	Isono	
D548,261 S *	8/2007	Nakamura	D16/134
D548,262 S *	8/2007	Nakamura	D16/134
D566,158 S *	4/2008	Yasutomi	D16/134

D682,911 S *	5/2013	Ohashi	D16/219
D696,709 S *	12/2013	Sato	D16/219
D697,543 S *	1/2014	Kim	D16/219
D702,750 S *	4/2014	Yoon	D16/219
D702,751 S *	4/2014	Yoon	D16/219
D737,358 S *	8/2015	Park	D16/219
D741,936 S *	10/2015	Chu	D16/219
D741,938 S *	10/2015	Lee	D16/219
D764,562 S *	8/2016	Kim	D16/219
D781,949 S *	3/2017	Lee	D16/219

FOREIGN PATENT DOCUMENTS

BR	DI7002221 F	5/2011
BR	DI7002892 F	8/2011
CN	200630053339.4	5/2007
CN	201330282419.7	2/2014
DE	M9708473-0001	10/1998
DE	402012005765-0001	3/2013
DE	402012005765-0002	3/2013
DE	402013001317-0001	3/2013

(Continued)

Primary Examiner — Ramzi S Almatrahi

(74) *Attorney, Agent, or Firm* — Ewers & Hasselmann
PLLC

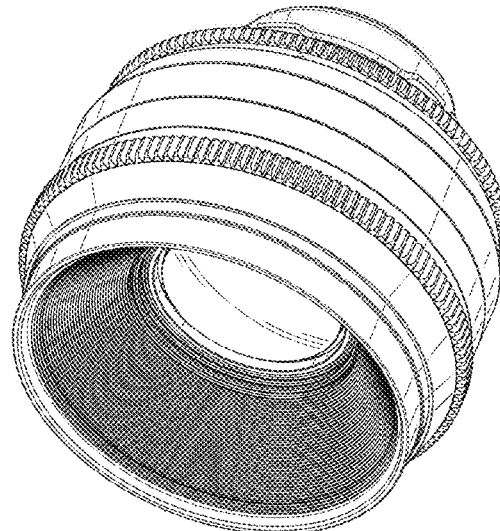
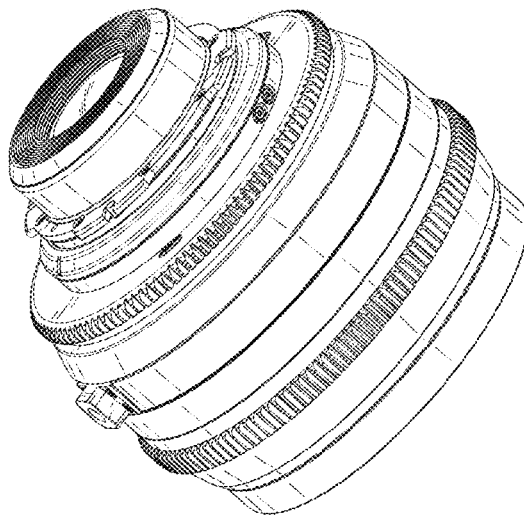
(57) **CLAIM**

The ornamental design for an objective lens, as shown and described.

DESCRIPTION

FIG. 1 is a top perspective view of an objective lens showing my new design;
FIG. 2 is a front elevation view thereof;
FIG. 3 is a rear elevation view thereof;
FIG. 4 is a left side elevation view thereof;
FIG. 5 is a right side elevation view thereof;
FIG. 6 is a bottom plan view thereof;
FIG. 7 is a top plan view thereof; and,
FIG. 8 is a bottom perspective view thereof.

1 Claim, 8 Drawing Sheets



(56)

References Cited

FOREIGN PATENT DOCUMENTS

DE	402013001317-0002	3/2013	EM	001381255-0006	10/2013
DE	402013001318-0001	3/2013	EM	001381255-0007	10/2013
DE	402013001318-0002	3/2013	EM	001381255-0008	10/2013
DE	402013001318-0003	3/2013	EM	001381255-0009	10/2013
DE	402013001318-0004	3/2013	EM	001381255-0010	10/2013
DE	402013001318-0005	3/2013	EM	001381255-0011	10/2013
DE	402013001318-0006	3/2013	EM	001381255-0012	10/2013
DE	402016000911-0001	10/2016	EM	001381255-0013	10/2013
DE	402016000911-0002	10/2016	EM	001381255-0014	10/2013
EM	000840152-0001	1/2008	EM	001381255-0015	10/2013
EM	000840152-0002	1/2008	EM	001381255-0016	10/2013
EM	000840152-0003	1/2008	EM	001383582-0001	10/2013
EM	000840152-0004	1/2008	EM	001383582-0002	10/2013
EM	002015644-0001	3/2012	EM	001383582-0003	10/2013
EM	002015644-0002	3/2012	EM	001383582-0004	10/2013
EM	002015644-0003	3/2012	EM	001383582-0005	10/2013
EM	002182774-0001	2/2013	EM	001383582-0006	10/2013
EM	002182774-0002	2/2013	EM	001383582-0007	10/2013
EM	002182774-0003	2/2013	EM	001383582-0008	10/2013
EM	002260018-0001	7/2013	EM	001383582-0009	10/2013
EM	002260018-0002	7/2013	EM	001383582-0010	10/2013
EM	001381255-0001	10/2013	EM	001383582-0011	10/2013
EM	001381255-0002	10/2013	EM	001383582-0012	10/2013
EM	001381255-0003	10/2013	EM	001383582-0013	10/2013
EM	001381255-0004	10/2013	EM	001383582-0014	10/2013
EM	001381255-0005	10/2013	EM	004119022-0003	8/2017
			RU	98346	6/2015
			WO	D094596-0001	2/2017
			WO	D094596-0002	2/2017

* cited by examiner

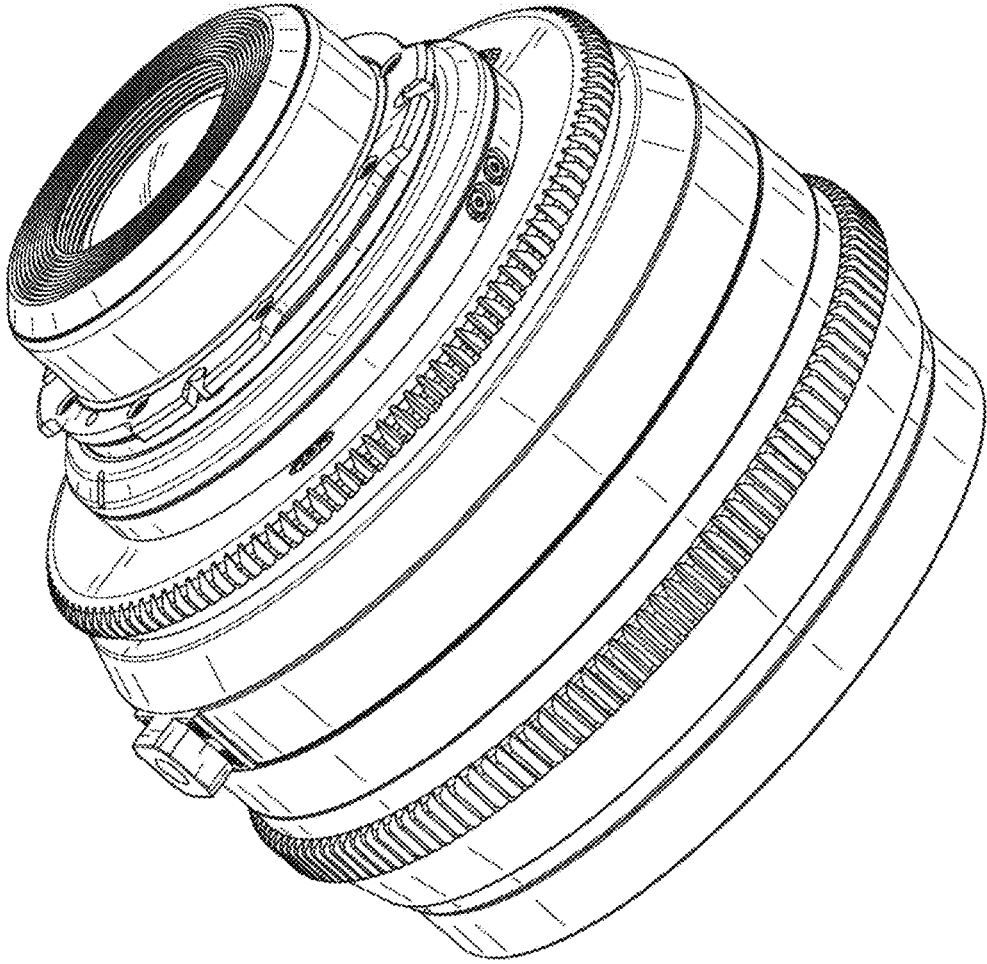


FIG. 1

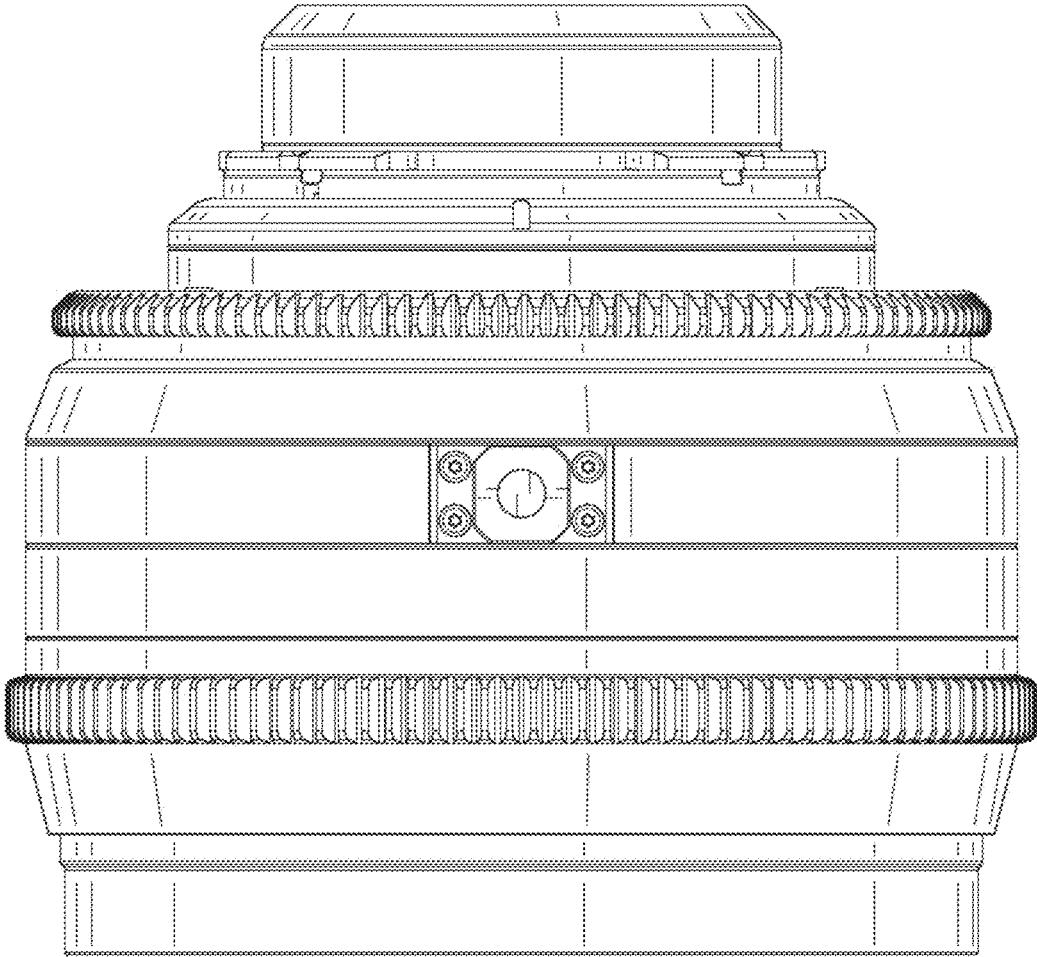


FIG. 2

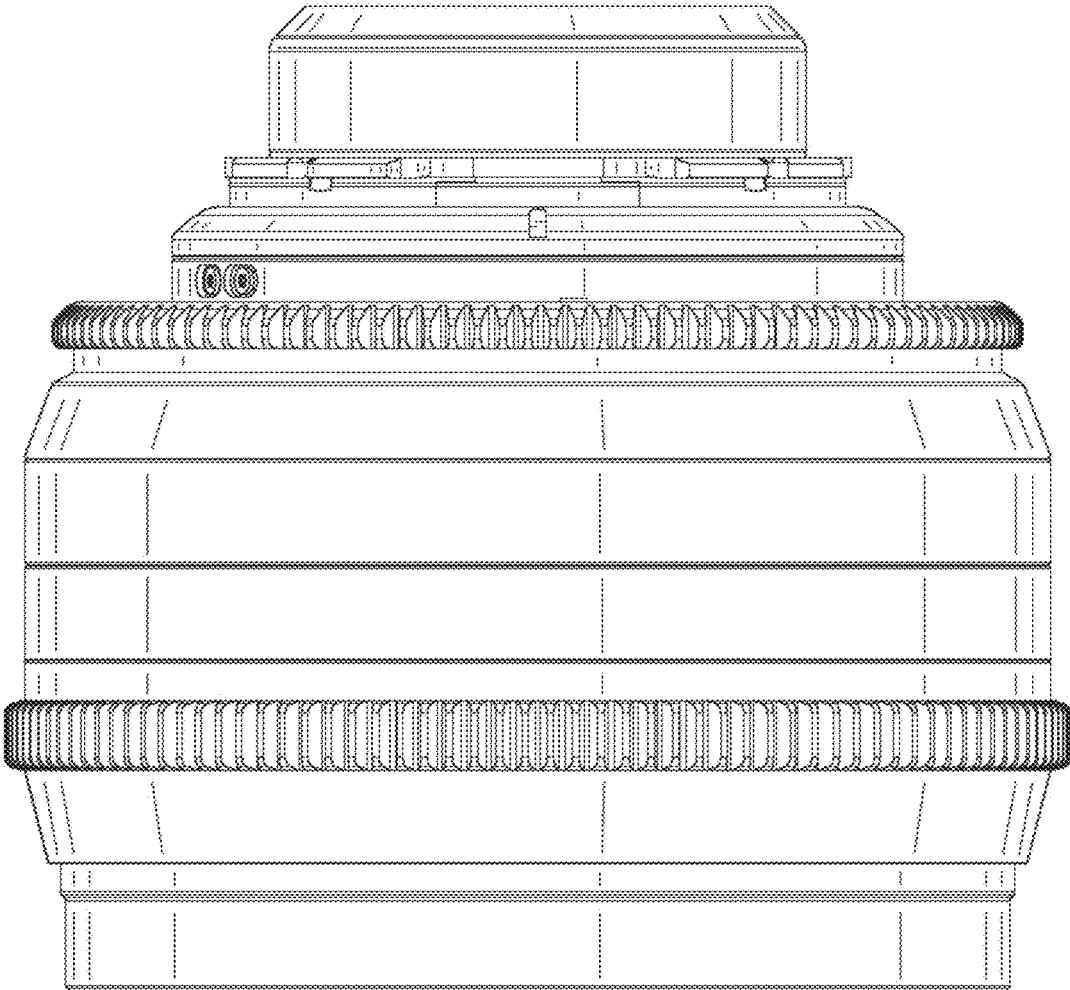


FIG. 3

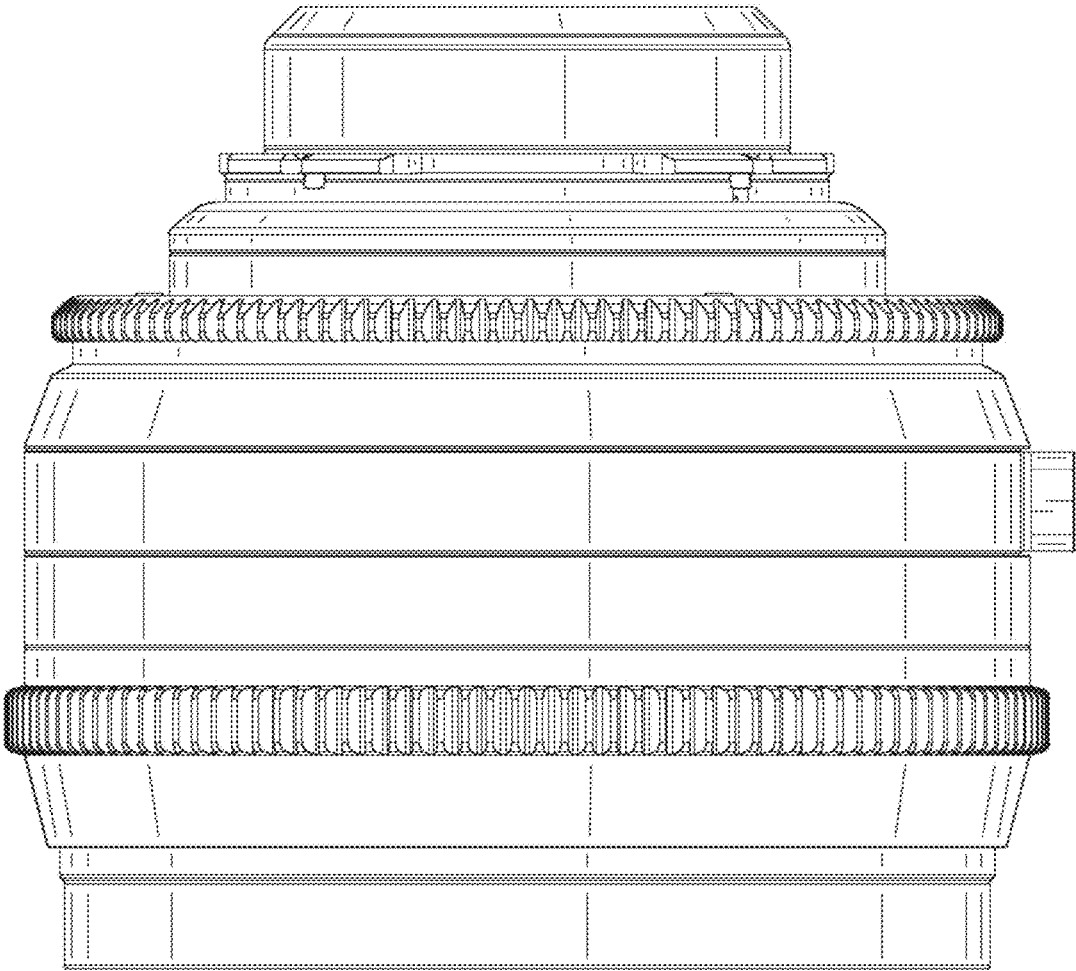


FIG. 4

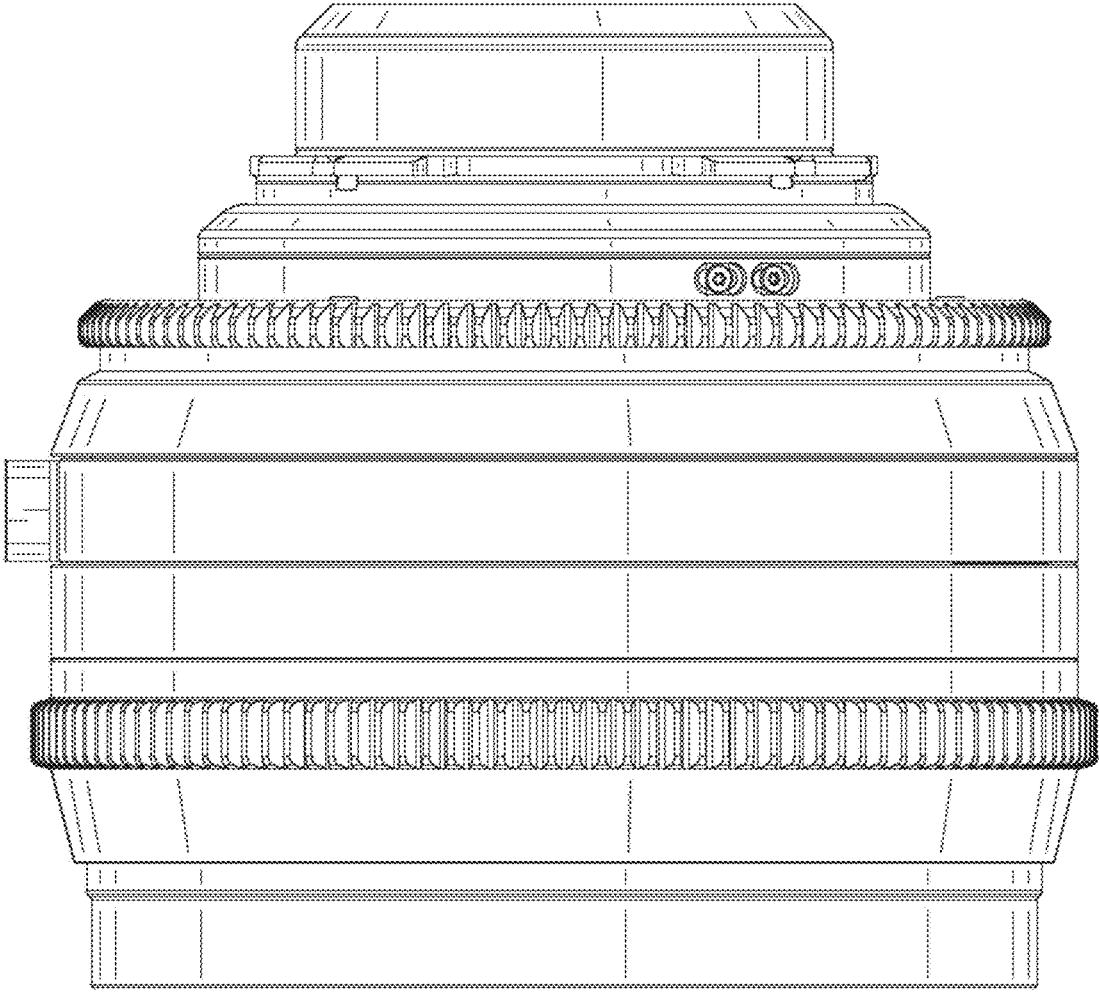


FIG. 5

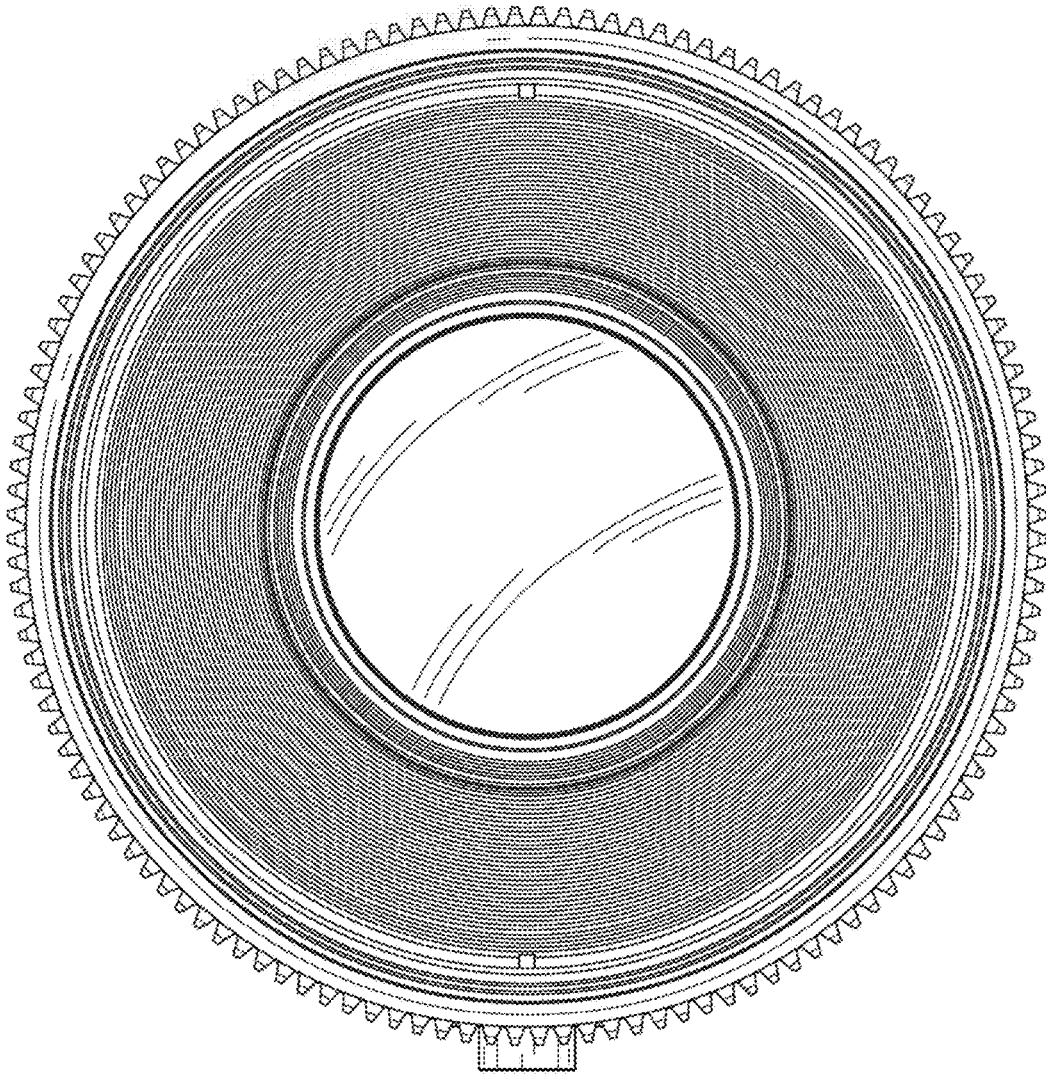


FIG. 6

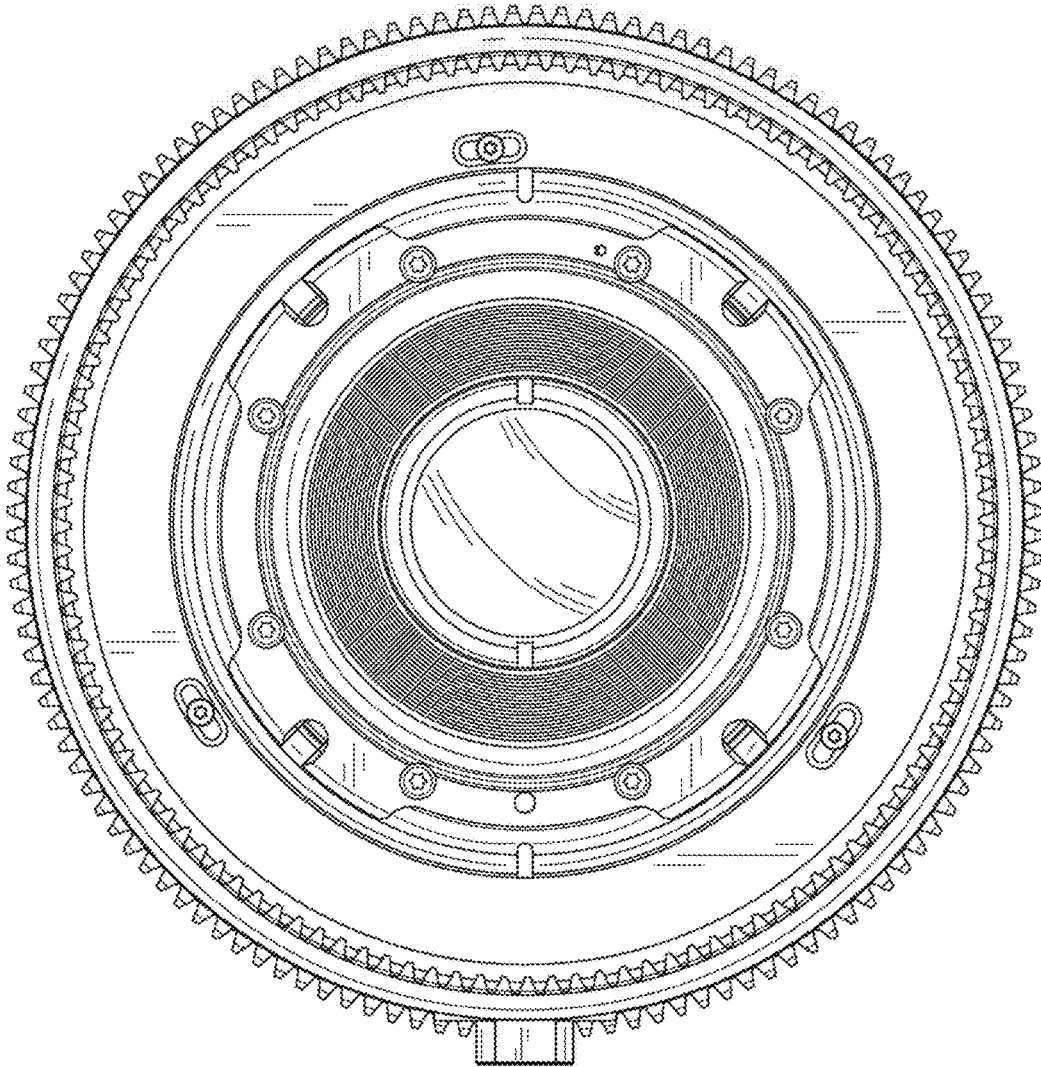


FIG. 7

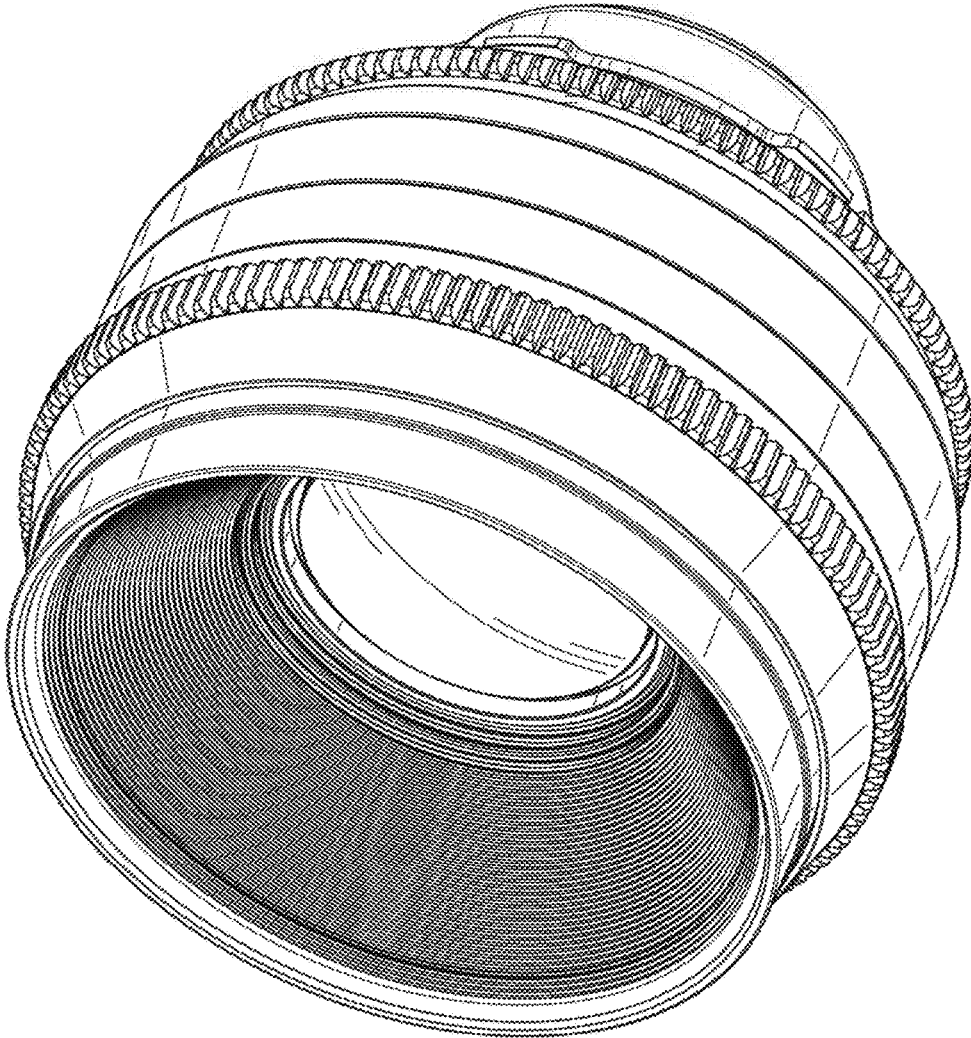


FIG. 8