



US00D764409S

(12) **United States Design Patent**  
**Alesi et al.**

(10) **Patent No.:** **US D764,409 S**

(45) **Date of Patent:** **\*\* Aug. 23, 2016**

(54) **USB ADAPTER**

(71) Applicant: **Custom Accessories Inc.**, Richmond, IL (US)

(72) Inventors: **Vincent Anthony Alesi**, Richmond, IL (US); **Anthony Salvatore Ferenzi**, Richmond, IL (US)

(73) Assignee: **Custom Accessories Inc.**, Richmond, IL (US)

(\*\*) Term: **14 Years**

(21) Appl. No.: **29/517,022**

(22) Filed: **Feb. 9, 2015**

(51) **LOC (10) Cl.** ..... **13-02**

(52) **U.S. Cl.**

USPC ..... **D13/110**

(58) **Field of Classification Search**

USPC ..... D13/110, 107, 108, 118, 119, 123, 133, D13/137.1, 184, 199; D14/242, 251, 432, D14/433, 434; 174/53, 54, 59, 61; 307/11, 307/150, 151; 320/107, 111, 112, 113, 114, 320/115; 361/679.01; 363/142, 146; 439/131, 172, 626, 628, 638  
CPC ..... H01R 31/06; H01R 25/00; H02M 7/003; H05K 7/1432; H02J 7/0062  
See application file for complete search history.

(56) **References Cited**

U.S. PATENT DOCUMENTS

2,143,529 A \* 1/1939 White ..... B26B 19/3833  
206/351  
D446,499 S \* 8/2001 Andre ..... D13/110

D454,110 S \* 3/2002 Andre ..... D13/110  
D476,297 S \* 6/2003 Schwimmer ..... D13/184  
D544,438 S \* 6/2007 Hussaini ..... D13/110  
D576,100 S \* 9/2008 Wang ..... D13/110  
D595,224 S \* 6/2009 Seil ..... D13/108  
D617,268 S \* 6/2010 Yen ..... D13/108  
D652,380 S \* 1/2012 Chen ..... D13/110  
D671,491 S \* 11/2012 Zaslavsky ..... D13/110  
D680,492 S \* 4/2013 Smith ..... D13/110  
D693,768 S \* 11/2013 Alesi ..... D13/110

\* cited by examiner

*Primary Examiner* — Derrick Holland

(74) *Attorney, Agent, or Firm* — Leydig, Voit & Mayer, Ltd.

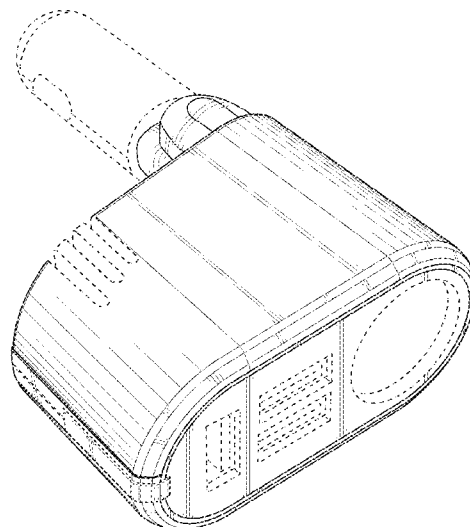
(57) **CLAIM**

The ornamental design for a USB adapter, as shown and described.

**DESCRIPTION**

FIG. 1 is a perspective view taken from the front, top, and left side of a USB adapter in accordance with our new design. FIG. 2 is a perspective view taken from the rear, top, and left side of the USB adapter of FIG. 1. FIG. 3 is a front view of the USB adapter of FIG. 1. FIG. 4 is a rear view of the USB adapter of FIG. 1. FIG. 5 is a left side elevational view of the USB adapter of FIG. 1. FIG. 6 is a right side elevational view of the USB adapter of FIG. 1. FIG. 7 is a top view of the USB adapter of FIG. 1; and, FIG. 8 is a bottom view of the USB adapter of FIG. 1. The broken lines shown represent unclaimed subject matter and form no part of the claimed design.

**1 Claim, 7 Drawing Sheets**



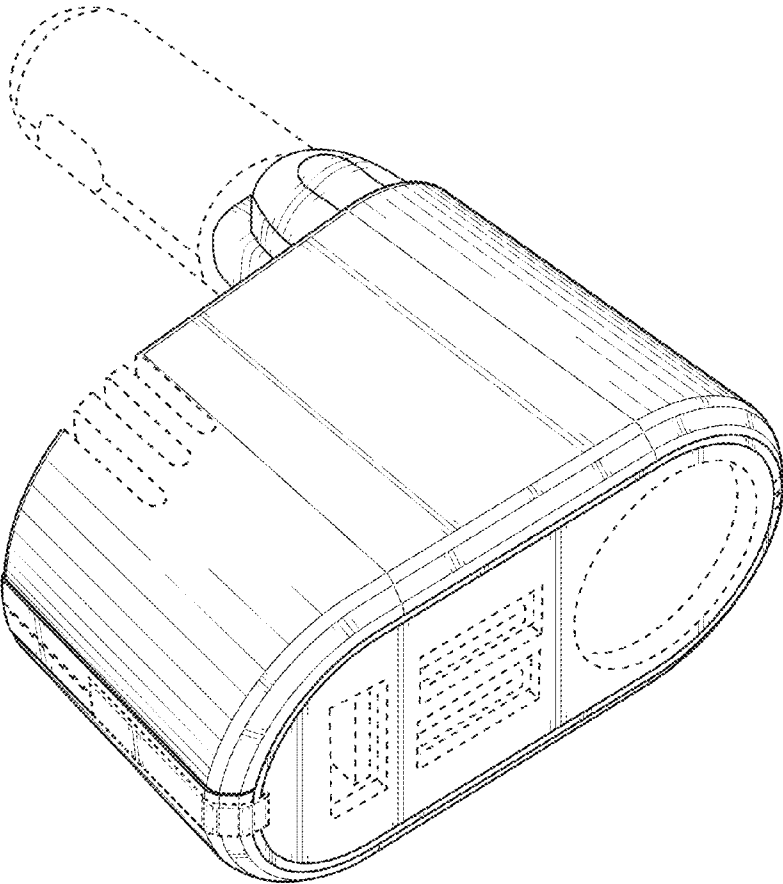


FIG. 1

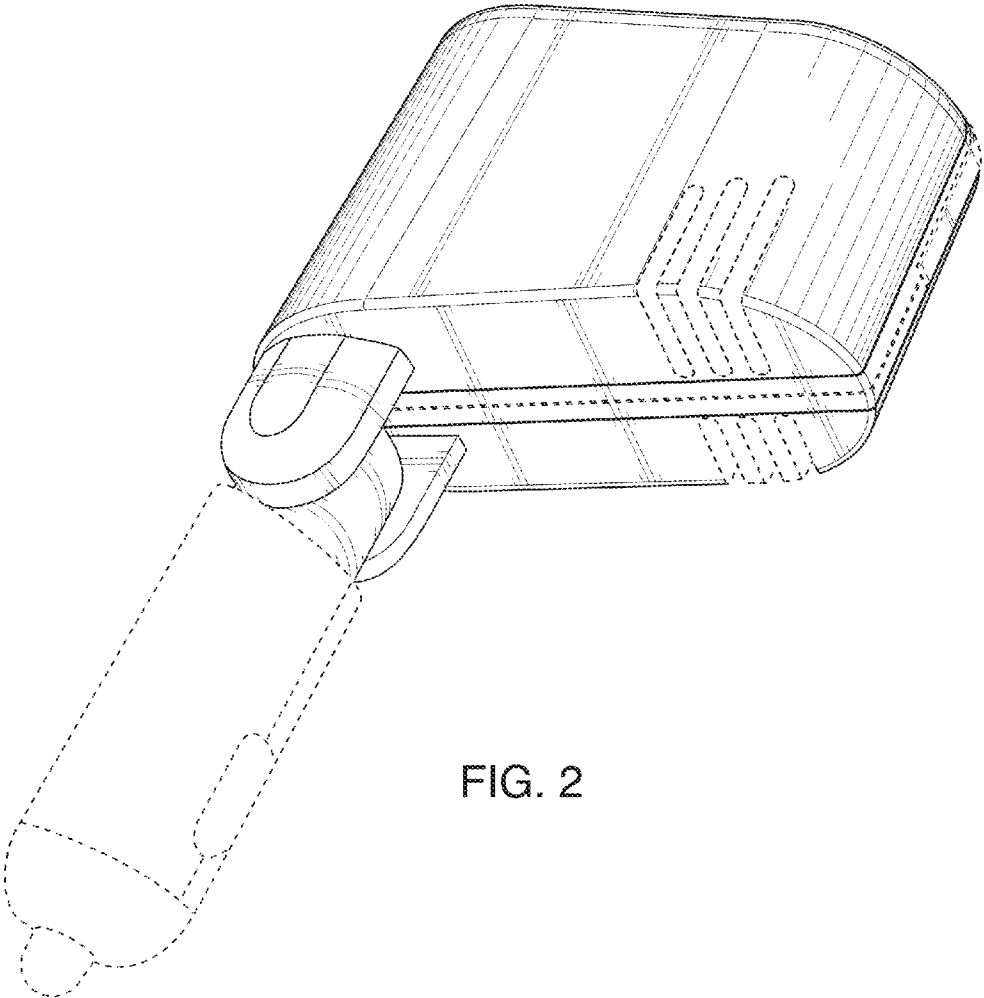


FIG. 2

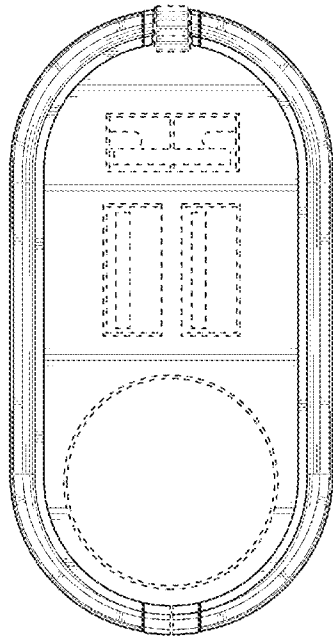


FIG. 3

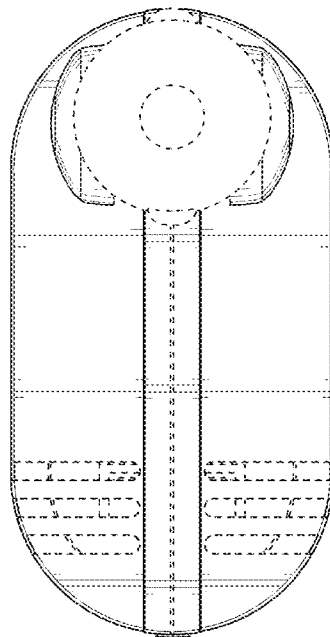


FIG. 4

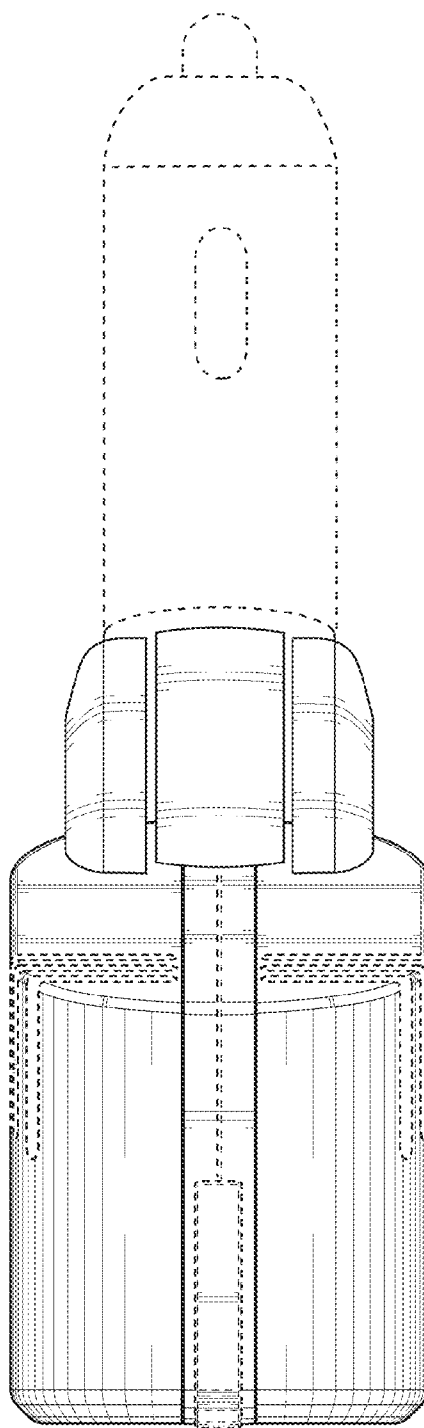


FIG. 5

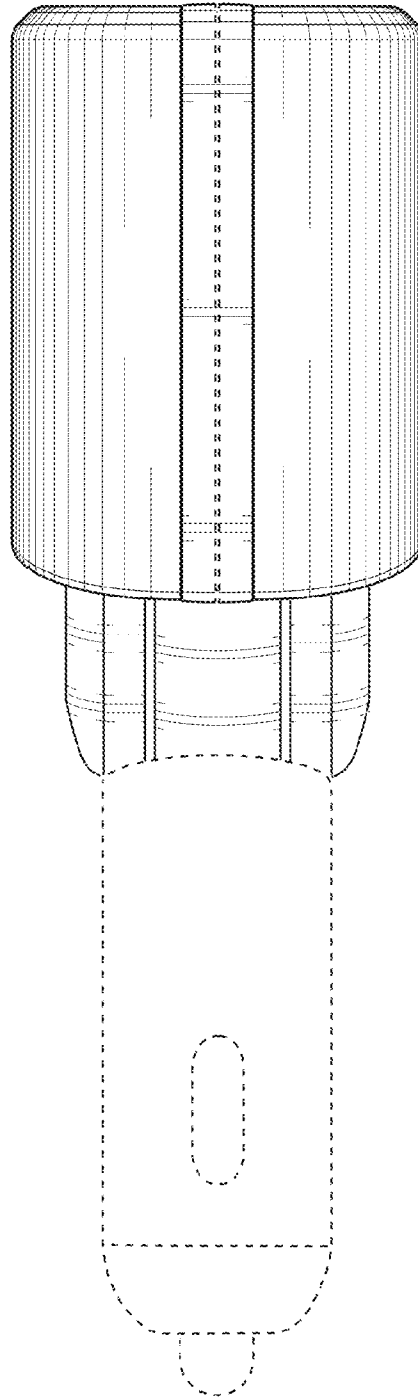


FIG. 6

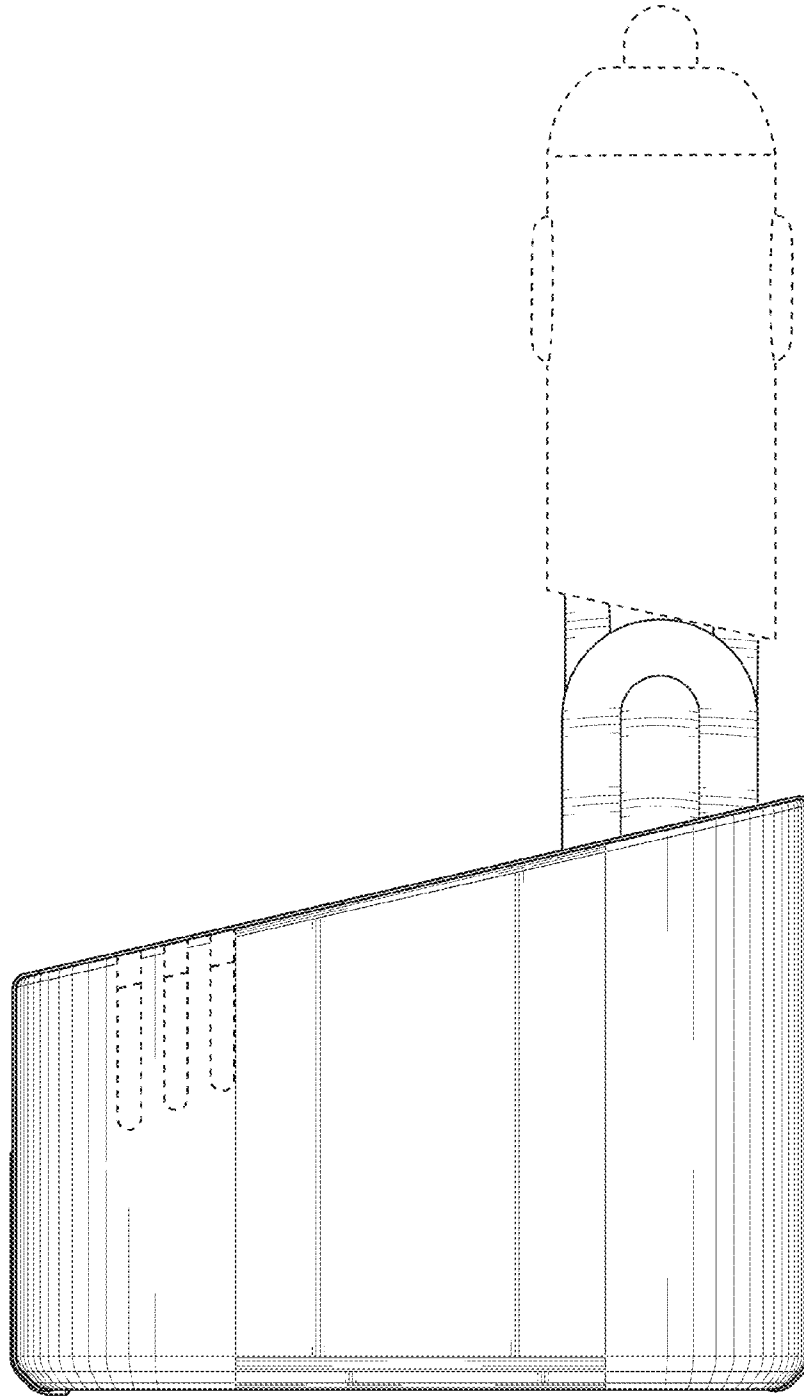


FIG. 7

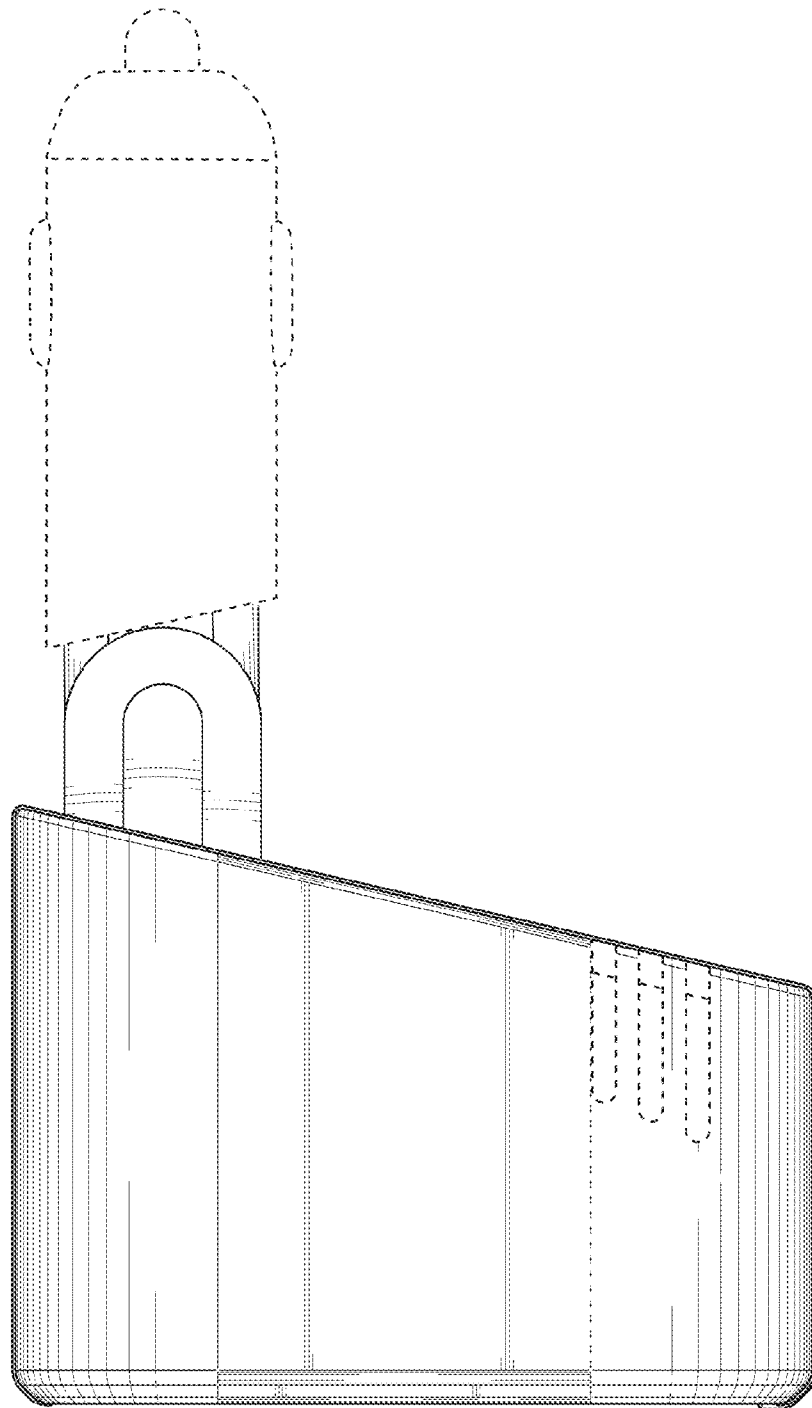


FIG. 8