



US0D1069411S

(12) **United States Design Patent**
Giorgi

(10) **Patent No.:** **US D1,069,411 S**

(45) **Date of Patent:** **** Apr. 8, 2025**

(54) **FASHION ORNAMENT**

FOREIGN PATENT DOCUMENTS

(71) Applicant: **J. Choo Limited**, London (GB)

EM 008206650-0005 * 10/2020

(72) Inventor: **Eliana Giorgi**, Latina (IT)

OTHER PUBLICATIONS

(73) Assignee: **J. Choo Limited**, London (GB)

Amazon.com, Site visited Aug. 28, 2024, QZUnique Store Camera Shoulder Bag, Date first available, Jul. 8, 2017, <https://www.amazon.com/Womens-Camera-Snapshot-Shoulder-Handbag/dp/B073SMV6DW> (Year: 2017).*

(**) Term: **15 Years**

(Continued)

(21) Appl. No.: **29/891,562**

(22) Filed: **May 8, 2023**

Primary Examiner — Brett Miller

Assistant Examiner — Jessica M Gebhart

(30) **Foreign Application Priority Data**

Dec. 20, 2022	(EM)	015006818-0001
Dec. 20, 2022	(EM)	015006819-0001
Feb. 2, 2023	(EM)	015010486-0001
Feb. 2, 2023	(EM)	015010486-0002
Feb. 2, 2023	(EM)	015010486-0003
Feb. 2, 2023	(EM)	015010486-0004

(74) *Attorney, Agent, or Firm* — Fross Zelnick Lehrman & Zissu, P.C.; Charles T. J. Weigell, Esq.

(57) **CLAIM**

The ornamental design for a fashion ornament as shown and described.

(Continued)

DESCRIPTION

(51) **LOC (15) Cl.** **03-01**

FIG. 1 is a front perspective view of a fashion ornament showing my new design;

(52) **U.S. Cl.**
USPC **D3/322; D3/318; D11/12**

FIG. 2 is a front view thereof;

(58) **Field of Classification Search**
USPC D3/232, 243, 240, 241, 242, 245, 246,
D3/318, 322, 323, 324, 325, 326, 218,
D3/321; D8/341, 342, 343, 499;
D11/61, 200, 204, 205, 224, 226, 228,
(Continued)

FIG. 3 is a back view thereof;

FIG. 4 is a left side view thereof;

FIG. 5 is a right side view thereof;

FIG. 6 is a top view thereof;

FIG. 7 is a bottom view thereof;

FIG. 8 is a front perspective view of the fashion ornament in the environment of a handbag;

FIG. 9 is a front perspective view of the fashion ornament in the environment of a loafer shoe; and,

FIG. 10 is a front perspective view of the fashion ornament in the environment of a high heel shoe.

(56) **References Cited**

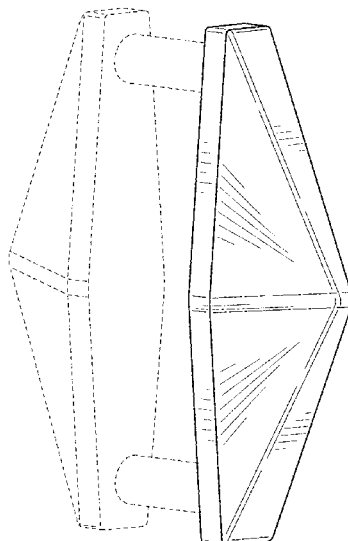
U.S. PATENT DOCUMENTS

1,361,704 A *	12/1920	Fishel	A44C 17/02
				D11/75
D98,620 S *	2/1936	Ritter	D11/12
D139,699 S *	12/1944	Robbins	D3/322

The broken lines in the figures depict portions of the fashion ornament that form no part of the claimed design. The broken line showing of a handbag, loafer shoe, and high heel shoe in the figures depicts unclaimed environment.

(Continued)

1 Claim, 8 Drawing Sheets



(30) Foreign Application Priority Data

Feb. 2, 2023 (EM) 015010527-0005
 Feb. 2, 2023 (EM) 015010527-0006

(58) Field of Classification Search

USPC D11/231, 6, 12, 24, 25, 75; D2/633, 946,
 D2/976
 CPC .. A45C 1/00; A45C 1/024; A45C 3/06; A45C
 15/00; A45C 13/1092; A45C 3/08; A45C
 3/00; A45C 13/04; A45C 13/06; A45C
 13/08; A45C 13/02; F41C 33/048; A44C
 17/02

See application file for complete search history.

(56) References Cited

U.S. PATENT DOCUMENTS

D149,779 S * 5/1948 Schorr D11/24
 D149,780 S * 5/1948 Schorr D11/25
 D156,650 S * 12/1949 Pearce D11/12
 D178,905 S * 10/1956 Sharp et al. D11/24
 D194,368 S * 1/1963 Goodman D11/25
 D210,552 S * 3/1968 Pelzman D11/12

D533,719 S * 12/2006 Spade D3/324
 D674,194 S * 1/2013 Saavedra D3/322
 D712,138 S * 9/2014 Kao D3/232
 D761,560 S * 7/2016 Barina D3/245
 D766,578 S * 9/2016 Slimane D3/322
 D821,745 S * 7/2018 Dumas D3/232
 D880,865 S * 4/2020 Fusi D3/318

OTHER PUBLICATIONS

Amazon.com, Site visited Aug. 28, 2024, JNB Store Natural Straw Box Clutch, Date first available, Jan. 25, 2018, <https://www.amazon.com/Natural-Straw-Box-Clutch/dp/B0799Q311C> (Year: 2018).
 Bragmybag.com, Site visited Aug. 28, 2024, Nathalie Trad Exclusive Polygonia Shell Box Clutch, Published Mar. 18, 2019, <https://www.bragmybag.com/nathalie-trad-exclusive-polygonia-shell-box-clutch/> (Year: 2019).
 Bragmybag.com, Site visited Aug. 28, 2024, Guiseppa Zanotti Black Patent Demon Clutch: Fashion At the Darkside, Published Mar. 19, 2019, <https://www.bragmybag.com/guiseppa-zanotti-black-patent-demon-clutch/> (Year: 2019).
 Perspex Ring; published on <https://www.thecarrotbox.com/blog/0706.asp#0613>, Jun. 13, 2007 - Admitted prior art.

* cited by examiner

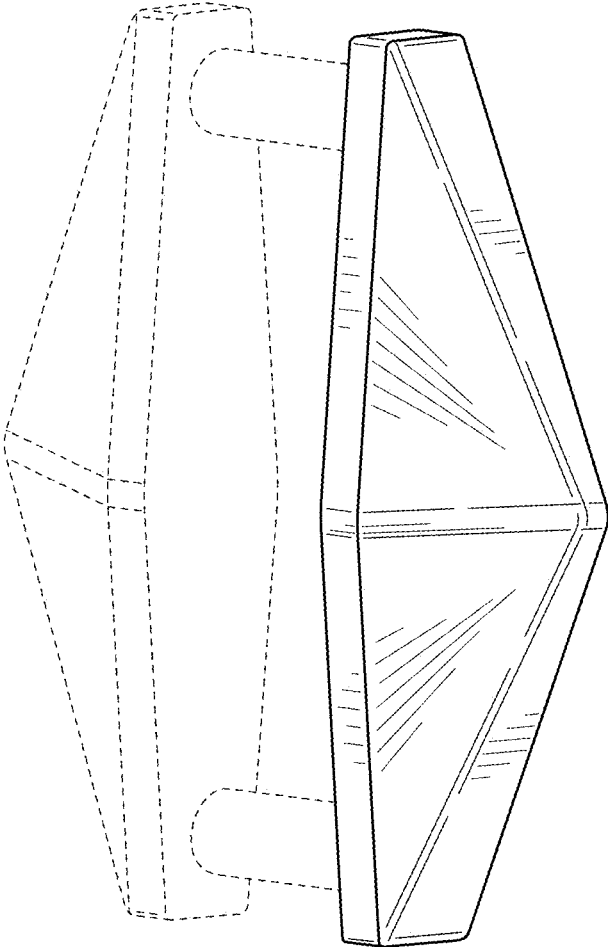


FIG. 1

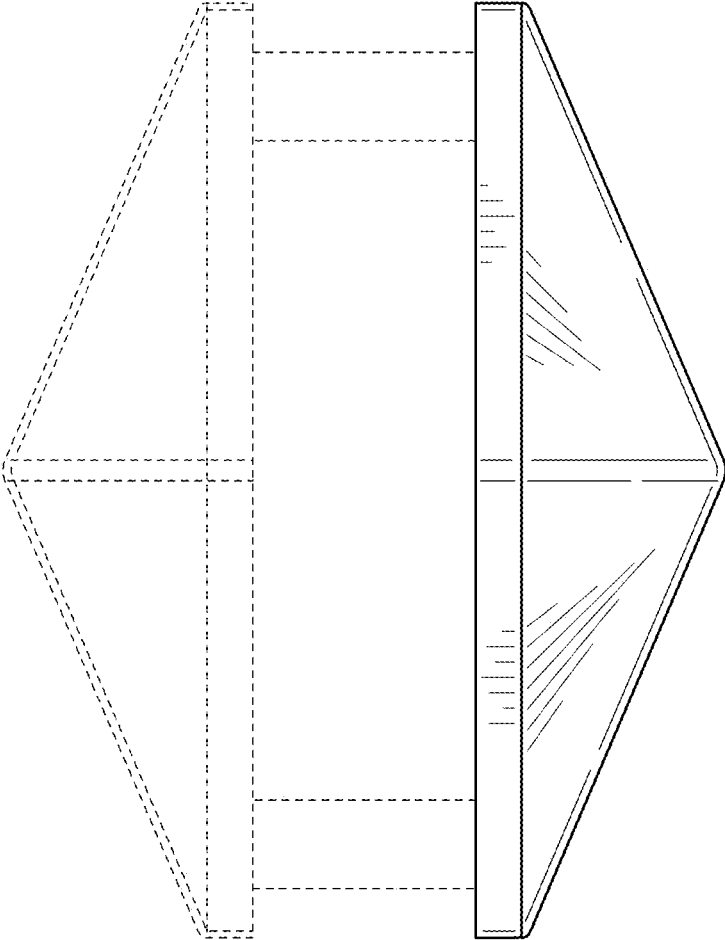


FIG. 2

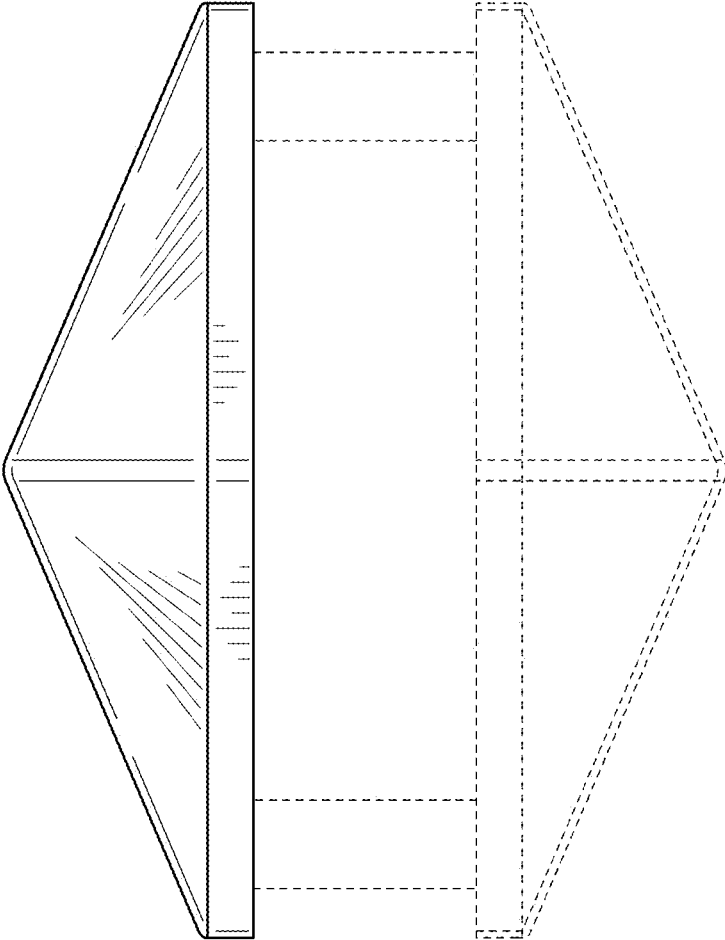


FIG. 3

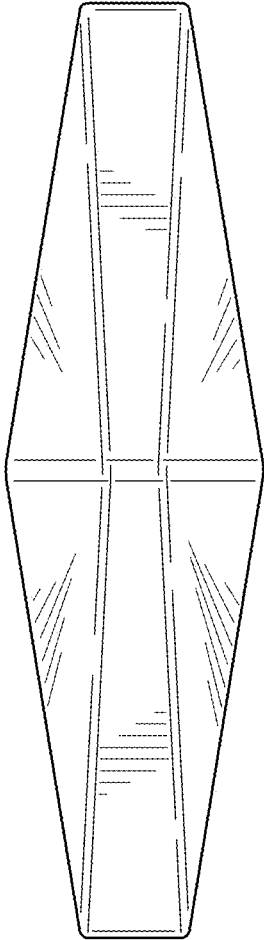


FIG. 4

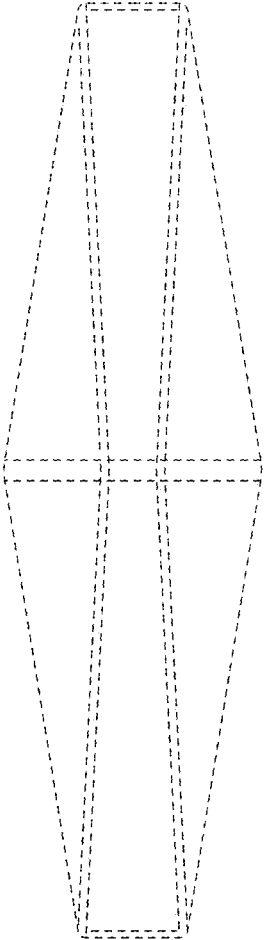


FIG. 5

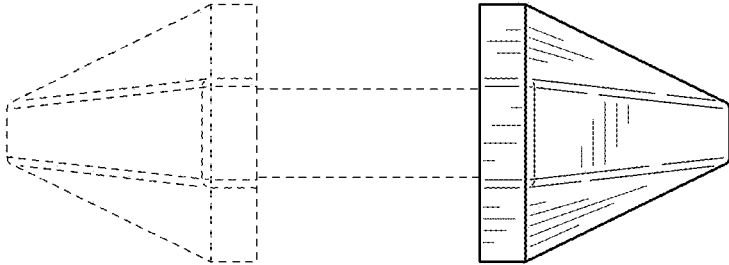


FIG. 6

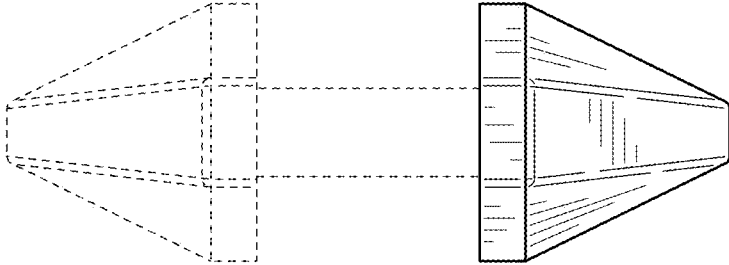


FIG. 7

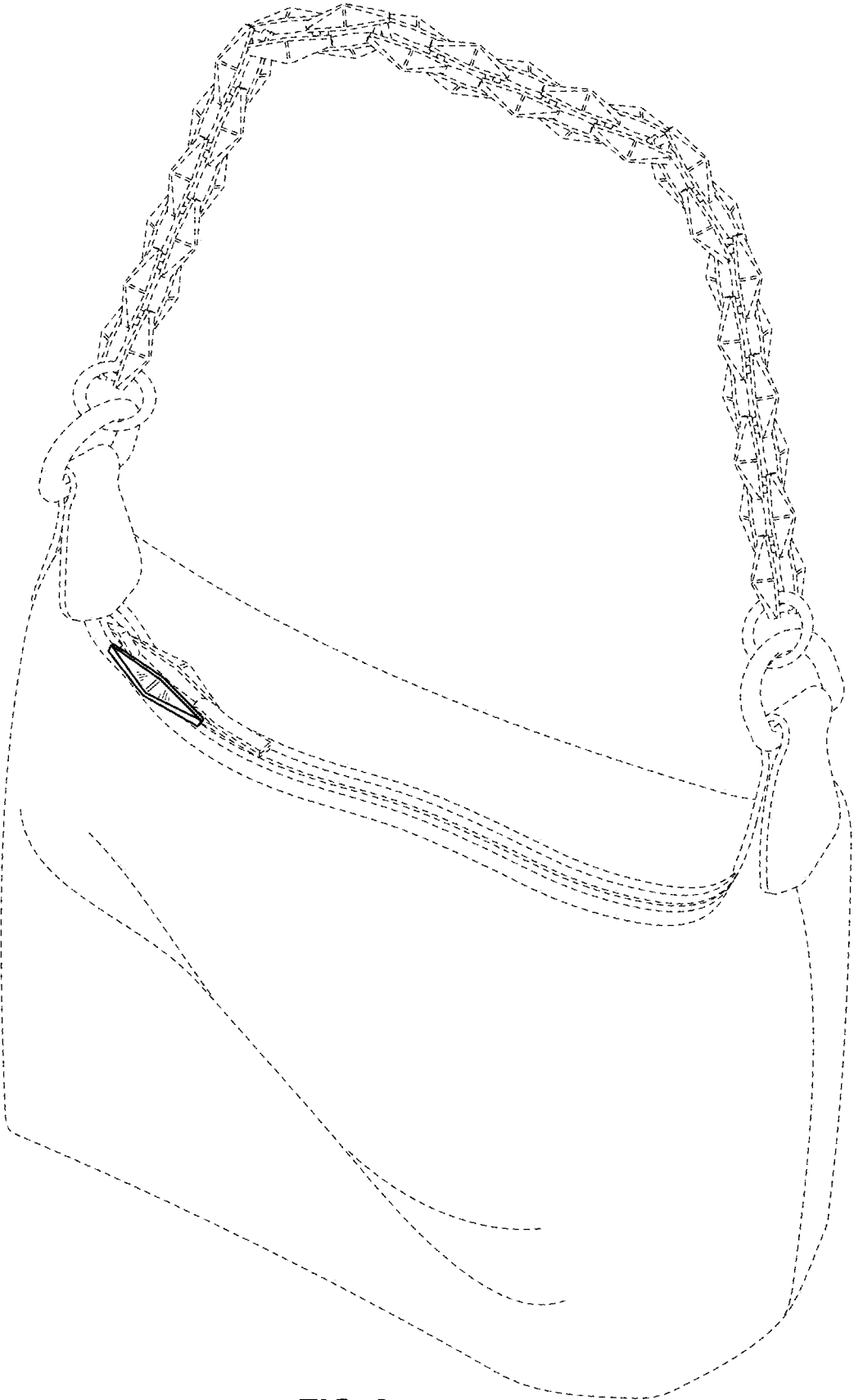


FIG. 8

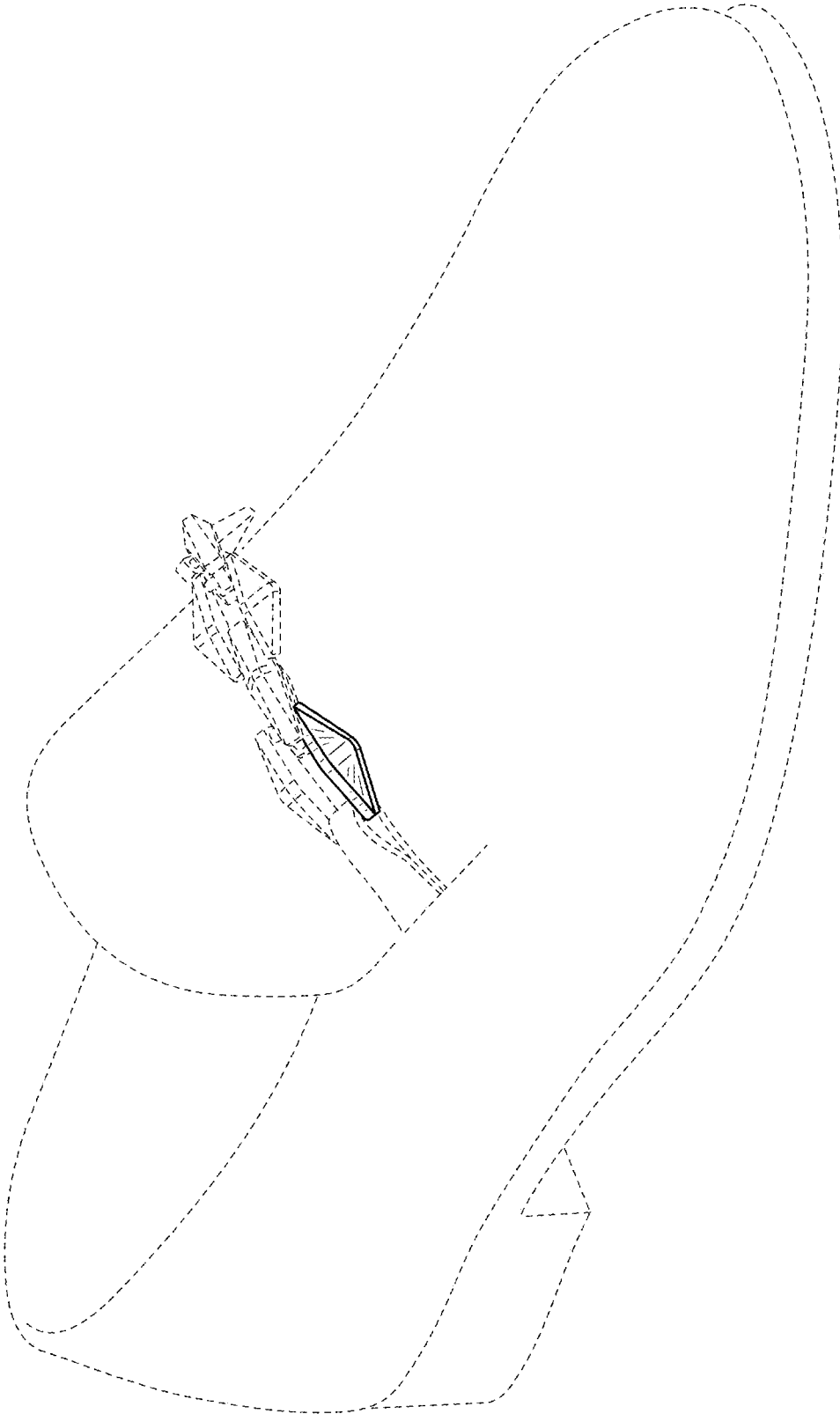


FIG. 9



FIG. 10