

(19) World Intellectual Property Organization  
International Bureau



(43) International Publication Date  
2 November 2006 (02.11.2006)

PCT

(10) International Publication Number  
WO 2006/116544 A3

(51) International Patent Classification:  
A61F 2/30 (2006.01)

(74) Agent: CASTELLANO, Kristina; Castellano PLLC,  
P.O. Box 1555, Great Falls, VA 22066 (US).

(21) International Application Number:  
PCT/US2006/015910

(81) Designated States (unless otherwise indicated, for every kind of national protection available): AE, AG, AL, AM, AT, AU, AZ, BA, BB, BG, BR, BW, BY, BZ, CA, CH, CN, CO, CR, CU, CZ, DE, DK, DM, DZ, EC, EE, EG, ES, FI, GB, GD, GE, GH, GM, HR, HU, ID, IL, IN, IS, JP, KE, KG, KM, KN, KP, KR, KZ, LC, LK, LR, LS, LT, LU, LV, LY, MA, MD, MG, MK, MN, MW, MX, MZ, NA, NG, NI, NO, NZ, OM, PG, PH, PL, PT, RO, RU, SC, SD, SE, SG, SK, SL, SM, SY, TJ, TM, TN, TR, TT, TZ, UA, UG, US, UZ, VC, VN, YU, ZA, ZM, ZW.

(22) International Filing Date: 27 April 2006 (27.04.2006)

(25) Filing Language: English

(26) Publication Language: English

(30) Priority Data:  
60/675,102 27 April 2005 (27.04.2005) US  
11/244,036 6 October 2005 (06.10.2005) US

(71) Applicant (for all designated States except US): GLOBUS MEDICAL, INC. [US/US]; 2560 General Armistead Avenue, Audubon, Pennsylvania 19403 (US).

(84) Designated States (unless otherwise indicated, for every kind of regional protection available): ARIPO (BW, GH, GM, KE, LS, MW, MZ, NA, SD, SL, SZ, TZ, UG, ZM, ZW), Eurasian (AM, AZ, BY, KG, KZ, MD, RU, TJ, TM), European (AT, BE, BG, CH, CY, CZ, DE, DK, EE, ES, FI, FR, GB, GR, HU, IE, IS, IT, LT, LU, LV, MC, NL, PL, PT, RO, SE, SI, SK, TR), OAPI (BF, BJ, CF, CG, CI, CM, GA, GN, GQ, GW, ML, MR, NE, SN, TD, TG).

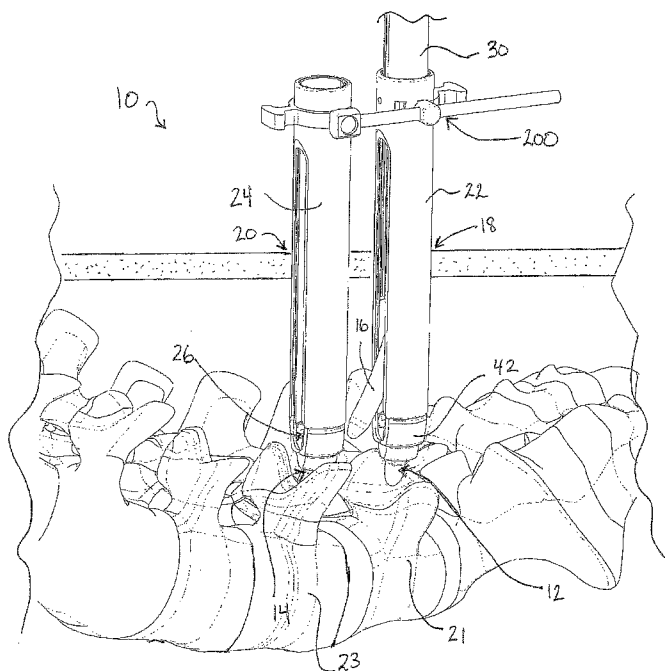
(72) Inventors; and

(75) Inventors/Applicants (for US only): IOTT, Andrew [US/US]; 921 Trellis Lane, West Chester, Pennsylvania 19380 (US). LEE, Andrew [US/US]; 2004 Lantern Lane, Oreland, Pennsylvania 19075 (US). KARPOWICZ, Edward [US/US]; 318 Forest Lane, Swedesboro, New Jersey 08085 (US).

Published:  
— with international search report

[Continued on next page]

(54) Title: PERCUTANEOUS VERTEBRAL STABILIZATION SYSTEM



(57) Abstract: The present invention relates to a percutaneous vertebral stabilization system. A first anchor is positionable within a body of a patient through a first percutaneous opening and a second anchor is positionable within a body of a patient through a second percutaneous opening. A stabilization member is positionable within the body of a patient through the first percutaneous opening to engage and connect the first and second anchors.

WO 2006/116544 A3



— *before the expiration of the time limit for amending the claims and to be republished in the event of receipt of amendments*

*For two-letter codes and other abbreviations, refer to the "Guidance Notes on Codes and Abbreviations" appearing at the beginning of each regular issue of the PCT Gazette.*

**(88) Date of publication of the international search report:**

22 November 2007

**INTERNATIONAL SEARCH REPORT**

International application No.

PCT/US 06/15910

**A. CLASSIFICATION OF SUBJECT MATTER**

IPC (8) -A61F2/30 (2007.01)

USPC - 606/61

According to International Patent Classification (IPC) or to both national classification and IPC

**B. FIELDS SEARCHED**

Minimum documentation searched (classification system followed by classification symbols)

IPC (8) -A61F2/30 (2007.01)

USPC - 606/61

Documentation searched other than minimum documentation to the extent that such documents are included in the fields searched

IPC8 - A61F2/30, A61F2/44, A61B17/70 (2007.01)

USPC - 606/61, 606/60, 623/17.11

Electronic data base consulted during the international search (name of data base and, where practicable, search terms used)

PubWEST (PGPB,USPT,EPAB,JPAB)

Search terms percutaneous, rod, anchor, fixation, stabilization, spine, spinal, vertebra, slot, slotted, channel, window, opening, sleeve, access, tube, tubular, linkage, distractor

**C. DOCUMENTS CONSIDERED TO BE RELEVANT**

Category*	Citation of document, with indication, where appropriate, of the relevant passages	Relevant to claim No.
X	US 2003/0208203 A1 (LIM et al.) 06 November 2003 (06.11.2003), figures 2-8, 11-13; paragraphs [0047], [0048], [0051], [0053], [0054-0056].	1-5, 8-16, 18-21
---		
Y		6, 7, 17, 22
Y	US 2005/0080418 A1 (SIMONSON et al) 14 April 2005 (14.04.2005) para [0064] fig 10	6, 7, 17
Y	US 6,245,072 B1 (ZDEBLICK et al.) 12 June 2001 (12.06.2001), column 5, lines 5-19.	22

Further documents are listed in the continuation of Box C.

\* Special categories of cited documents:

"A" document defining the general state of the art which is not considered to be of particular relevance

"E" earlier application or patent but published on or after the international filing date

"L" document which may throw doubts on priority claim(s) or which is cited to establish the publication date of another citation or other special reason (as specified)

"O" document referring to an oral disclosure, use, exhibition or other means

"P" document published prior to the international filing date but later than the priority date claimed

"T" later document published after the international filing date or priority date and not in conflict with the application but cited to understand the principle or theory underlying the invention

"X" document of particular relevance; the claimed invention cannot be considered novel or cannot be considered to involve an inventive step when the document is taken alone

"Y" document of particular relevance; the claimed invention cannot be considered to involve an inventive step when the document is combined with one or more other such documents, such combination being obvious to a person skilled in the art

"&" document member of the same patent family

Date of the actual completion of the international search

24 July 2007 (24.07.2007)

Date of mailing of the international search report

**24 SEP 2007**

Name and mailing address of the ISA/US

Mail Stop PCT, Attn: ISA/US, Commissioner for Patents

P.O. Box 1450, Alexandria, Virginia 22313-1450

Facsimile No. 571-273-3201

Authorized officer:

Lee W. Young

PCT Helpdesk: 571-272-4300  
PCT OSP: 571-272-7774