

(19) World Intellectual Property Organization
International Bureau



(43) International Publication Date
14 May 2010 (14.05.2010)

(10) International Publication Number
WO 2010/054032 A3

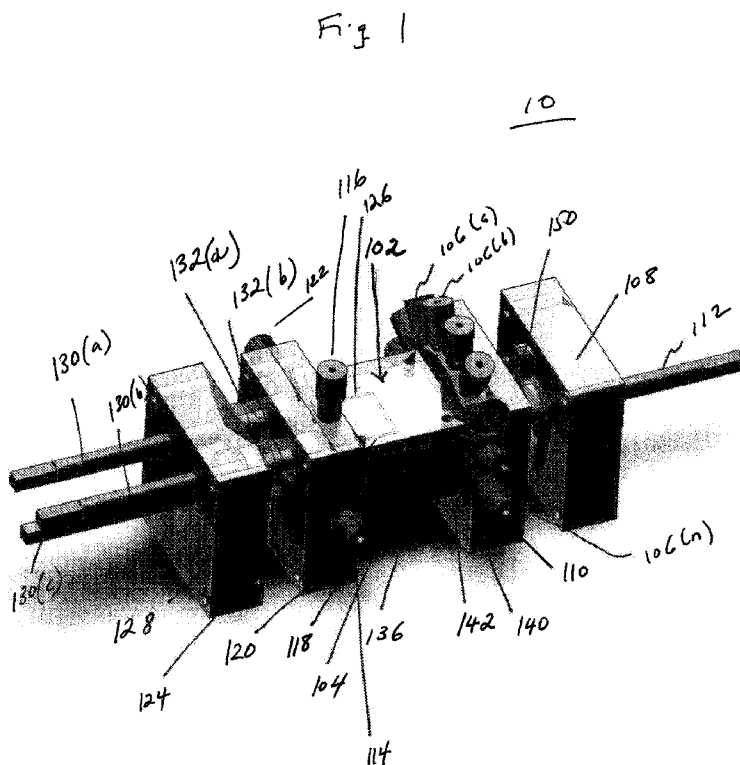
- (51) **International Patent Classification:**
B01J 19/00 (2006.01) *B01L 3/00* (2006.01)
F16K 99/00 (2006.01)
- (21) **International Application Number:**
PCT/US2009/063329
- (22) **International Filing Date:**
5 November 2009 (05.11.2009)
- (25) **Filing Language:** English
- (26) **Publication Language:** English
- (30) **Priority Data:**
61/111,862 6 November 2008 (06.11.2008) US
12/612,091 4 November 2009 (04.11.2009) US
- (71) **Applicant (for all designated States except US):**
SIEMENS MEDICAL SOLUTIONS USA, INC.
[US/US]; 51 Valley Stream Parkway, Malvern, Pennsylvania 19355 (US).
- (72) **Inventors; and**
- (75) **Inventors/Applicants (for US only):** **MIRAGHAIE, Reza** [US/US]; 4205 Summertime Lane, Culver City, California 90230 (US). **BALL, Carroll Edward**

[US/US]; 1056 Stearns Drive, Los Angeles, California 90035 (US). **ELIZAROV, Arkadij M.** [US/US]; 19834 Haynes St., Woodland Hills, California 91367 (US). **ZHANG, Jianzhong** [CA/US]; 1823 Moorpark Drive, Brea, California 92821 (US). **KOLB, Hartmuth C.** [DE/US]; 6413 Pacific Avenue, Playa Del Rey, California 90293 (US).

- (74) **Agents:** **KENDALL, Peter L.** et al.; Siemens Corporation- Intellectual Property Dept., 170 Wood Avenue South, Iselin, New Jersey 08830 (US).
- (81) **Designated States (unless otherwise indicated, for every kind of national protection available):** AE, AG, AL, AM, AO, AT, AU, AZ, BA, BB, BG, BH, BR, BW, BY, BZ, CA, CH, CL, CN, CO, CR, CU, CZ, DE, DK, DM, DO, DZ, EC, EE, EG, ES, FI, GB, GD, GE, GH, GM, GT, HN, HR, HU, ID, IL, IN, IS, JP, KE, KG, KM, KN, KP, KR, KZ, LA, LC, LK, LR, LS, LT, LU, LY, MA, MD, ME, MG, MK, MN, MW, MX, MY, MZ, NA, NG, NI, NO, NZ, OM, PE, PG, PH, PL, PT, RO, RS, RU, SC, SD, SE, SG, SK, SL, SM, ST, SV, SY, TJ, TM, TN, TR, TT, TZ, UA, UG, US, UZ, VC, VN, ZA, ZM, ZW.

[Continued on next page]

(54) **Title:** APPARATUS AND METHOD USING ROTARY FLOW DISTRIBUTION MECHANISMS



(57) **Abstract:** Methods and apparatus for facilitating the synthesis of compounds in a batch device are presented. Application of the batch type microfluidic devices to the synthesis of radiolabeled compounds is described. These methods and apparatus enable the selective introduction of multiple reagents via an enhanced rotary flow distribution valve through a single inlet port of the synthetic device. The sequential introduction of multiple reagents through a single inlet port allows an optimal delivery of highly concentrated reagents into the reactor and facilitates the synthesis of the desired products with a minimal loss of materials during transfers, which is critical to the synthesis of radiolabeled biomarkers.

WO 2010/054032 A3

(84) Designated States (*unless otherwise indicated, for every kind of regional protection available*): ARIPO (BW, GH, GM, KE, LS, MW, MZ, NA, SD, SL, SZ, TZ, UG, ZM, ZW), Eurasian (AM, AZ, BY, KG, KZ, MD, RU, TJ, TM), European (AT, BE, BG, CH, CY, CZ, DE, DK, EE, ES, FI, FR, GB, GR, HR, HU, IE, IS, IT, LT, LU, LV, MC, MK, MT, NL, NO, PL, PT, RO, SE, SI, SK, SM, TR), OAPI (BF, BJ, CF, CG, CI, CM, GA, GN, GQ, GW, ML, MR, NE, SN, TD, TG).

Published:

- *with international search report (Art. 21(3))*
- *before the expiration of the time limit for amending the claims and to be republished in the event of receipt of amendments (Rule 48.2(h))*

(88) Date of publication of the international search report:

30 June 2011

INTERNATIONAL SEARCH REPORT

International application No
PCT/US2009/063329

A. CLASSIFICATION OF SUBJECT MATTER
 INV. B01J19/00 F16K99/00 B01L3/00
 ADD.

According to International Patent Classification (IPC) or to both national classification and IPC

B. FIELDS SEARCHED

Minimum documentation searched (classification system followed by classification symbols)
 B01J F16K B01L

Documentation searched other than minimum documentation to the extent that such documents are included in the fields searched

Electronic data base consulted during the international search (name of data base and, where practical, search terms used)

EPO-Internal, WPI Data

C. DOCUMENTS CONSIDERED TO BE RELEVANT

Category*	Citation of document, with indication, where appropriate, of the relevant passages	Relevant to claim No.
X	US 2003/162304 A1 (DORITY DOUGLAS B [US] ET AL) 28 August 2003 (2003-08-28) paragraph [0043] - paragraph [0048] paragraph [0054] - paragraph [0057]; figures 1-12	1-11,15, 16,20-25
X	----- EP 1 188 476 A2 (CELLULAR PROCESS CHEMISTRY INC [US]) 20 March 2002 (2002-03-20) paragraph [0043] - paragraph [0057]; figures 4A-7	1-19,21, 22,24-29
X	----- EP 1 447 136 A1 (AGILENT TECHNOLOGIES INC [US]) 18 August 2004 (2004-08-18) paragraph [0034] - paragraph [0037]; figures 1A-3	1-3, 6-10,13
	----- -/--	

Further documents are listed in the continuation of Box C. See patent family annex.

* Special categories of cited documents :

<p>"A" document defining the general state of the art which is not considered to be of particular relevance</p> <p>"E" earlier document but published on or after the international filing date</p> <p>"L" document which may throw doubts on priority claim(s) or which is cited to establish the publication date of another citation or other special reason (as specified)</p> <p>"O" document referring to an oral disclosure, use, exhibition or other means</p> <p>"P" document published prior to the international filing date but later than the priority date claimed</p>	<p>"T" later document published after the international filing date or priority date and not in conflict with the application but cited to understand the principle or theory underlying the invention</p> <p>"X" document of particular relevance; the claimed invention cannot be considered novel or cannot be considered to involve an inventive step when the document is taken alone</p> <p>"Y" document of particular relevance; the claimed invention cannot be considered to involve an inventive step when the document is combined with one or more other such documents, such combination being obvious to a person skilled in the art.</p> <p>"&" document member of the same patent family</p>
--	--

Date of the actual completion of the international search	Date of mailing of the international search report
13 April 2011	21/04/2011

Name and mailing address of the ISA/ European Patent Office, P.B. 5818 Patentlaan 2 NL - 2280 HV Rijswijk Tel. (+31-70) 340-2040, Fax: (+31-70) 340-3016	Authorized officer Vlassis, Maria
--	--

INTERNATIONAL SEARCH REPORT

International application No
PCT/US2009/063329

C(Continuation). DOCUMENTS CONSIDERED TO BE RELEVANT

Category*	Citation of document, with indication, where appropriate, of the relevant passages	Relevant to claim No.
X	US 4 147 533 A (FLINN RICHARD A ET AL) 3 April 1979 (1979-04-03) column 10, line 17 - line 50; figure 7 -----	1,9,10
A	US 4 948 565 A (BEMIS WILLIAM G [US] ET AL) 14 August 1990 (1990-08-14) the whole document -----	1,17,26

INTERNATIONAL SEARCH REPORT

Information on patent family members

International application No

PCT/US2009/063329

Patent document cited in search report	Publication date	Patent family member(s)	Publication date
US 2003162304	A1	28-08-2003	
		AU 2003215214	A1 09-09-2003
		CA 2477315	A1 04-09-2003
		CN 1646222	A 27-07-2005
		EP 1487579	A1 22-12-2004
		JP 4648627	B2 09-03-2011
		JP 2005518532	T 23-06-2005
		JP 2010190907	A 02-09-2010
		WO 03072253	A1 04-09-2003

EP 1188476	A2	20-03-2002	
		US 6436720	B1 20-08-2002

EP 1447136	A1	18-08-2004	
		US 2004156753	A1 12-08-2004

US 4147533	A	03-04-1979	NONE

US 4948565	A	14-08-1990	NONE
