

(19) World Intellectual Property  
Organization  
International Bureau



(43) International Publication Date  
23 December 2004 (23.12.2004)

PCT

(10) International Publication Number  
**WO 2004/110912 A3**

(51) International Patent Classification<sup>7</sup>: **B65H 37/00**,  
B29C 63/00, B44C 7/06

Mark, John [US/US]; 8387 Chesney Lane, Cincinnati,  
Ohio 45249 (US).

(21) International Application Number:  
PCT/US2004/017984

(74) Common Representative: **THE PROCTER & GAM-  
BLE COMPANY**; c/o T. David Reed, 6110 Center Hill  
Road, Cincinnati, Ohio 45224 (US).

(22) International Filing Date: 7 June 2004 (07.06.2004)

(81) Designated States (unless otherwise indicated, for every  
kind of national protection available): AE, AG, AL, AM,  
AT, AU, AZ, BA, BB, BG, BR, BW, BY, BZ, CA, CH, CN,  
CO, CR, CU, CZ, DE, DK, DM, DZ, EC, EE, EG, ES, FI,  
GB, GD, GE, GH, GM, HR, HU, ID, IL, IN, IS, JP, KE,  
KG, KP, KR, KZ, LC, LK, LR, LS, LT, LU, LV, MA, MD,  
MG, MK, MN, MW, MX, MZ, NA, NI, NO, NZ, OM, PG,  
PH, PL, PT, RO, RU, SC, SD, SE, SG, SK, SL, SY, TJ, TM,  
TN, TR, TT, TZ, UA, UG, US, UZ, VC, VN, YU, ZA, ZM,  
ZW.

(25) Filing Language: English

(26) Publication Language: English

(30) Priority Data:  
10/458,520 10 June 2003 (10.06.2003) US

(71) Applicant (for all designated States except US): **THE  
PROCTER & GAMBLE COMPANY** [US/US]; One  
Procter & Gamble Plaza, Cincinnati, Ohio 45202 (US).

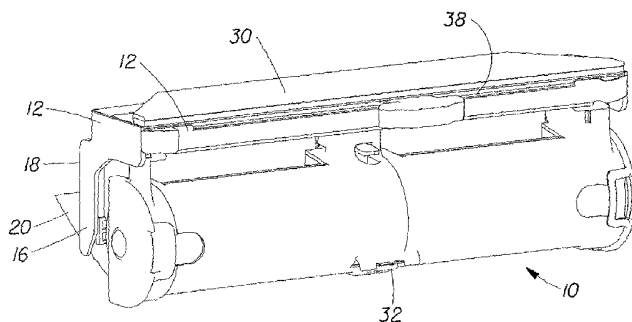
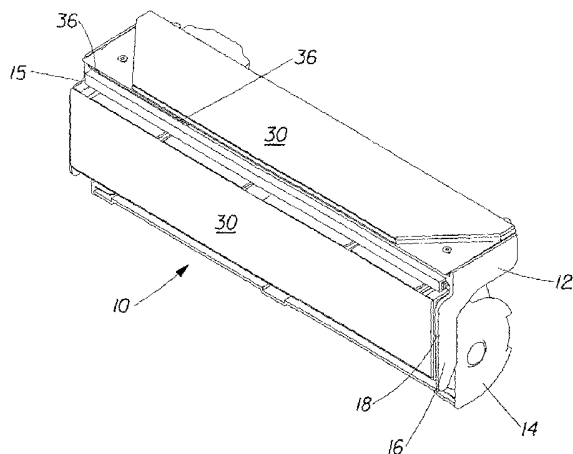
(84) Designated States (unless otherwise indicated, for every  
kind of regional protection available): ARIPO (BW, GH,  
GM, KE, LS, MW, MZ, NA, SD, SL, SZ, TZ, UG, ZM,  
ZW), Eurasian (AM, AZ, BY, KG, KZ, MD, RU, TJ, TM),

(72) Inventor; and

(75) Inventor/Applicant (for US only): **STEINHARDT**,

[Continued on next page]

(54) Title: APPLICATOR FOR AND METHOD OF APPLYING A SHEET MATERIAL TO A SUBSTRATE



(57) Abstract: A method and device for applying sheet material, such as wallpaper, to a substrate. The applicator (10) is bi-positionable, having a first position where the sheet material is spaced apart from the substrate and a second position where the sheet material contact the substrate. Additionally or alternatively, the applicator may be provided with a control bar (15). In the first position, the control bar contacts a portion of the sheet material such as its free end. This minimizes the chance of the sheet material prematurely contacting the substrate. In the second position, the sheet material is disengaged from the control bar for application to the substrate. The applicator and sheet material may be provided together in a kit.

WO 2004/110912 A3



European (AT, BE, BG, CH, CY, CZ, DE, DK, EE, ES, FI, FR, GB, GR, HU, IE, IT, LU, MC, NL, PL, PT, RO, SE, SI, SK, TR), OAPI (BF, BJ, CF, CG, CI, CM, GA, GN, GQ, GW, ML, MR, NE, SN, TD, TG).

**(88) Date of publication of the international search report:**  
26 May 2005

**Published:**

- *with international search report*
- *before the expiration of the time limit for amending the claims and to be republished in the event of receipt of amendments*

*For two-letter codes and other abbreviations, refer to the "Guidance Notes on Codes and Abbreviations" appearing at the beginning of each regular issue of the PCT Gazette.*

# INTERNATIONAL SEARCH REPORT

International Application No  
PCT/US2004/017984

**A. CLASSIFICATION OF SUBJECT MATTER**  
IPC 7 B65H37/00 B29C63/00 B44C7/06

According to International Patent Classification (IPC) or to both national classification and IPC

**B. FIELDS SEARCHED**

Minimum documentation searched (classification system followed by classification symbols)  
IPC 7 B65H B29C B44C

Documentation searched other than minimum documentation to the extent that such documents are included in the fields searched

Electronic data base consulted during the international search (name of data base and, where practical, search terms used)

EPO-Internal, WPI Data, PAJ

**C. DOCUMENTS CONSIDERED TO BE RELEVANT**

Category °	Citation of document, with indication, where appropriate, of the relevant passages	Relevant to claim No.
A	US 6 540 002 B1 (EDWARDS TOBY ET AL) 1 April 2003 (2003-04-01) column 2, line 66 - column 3, line 51; figures 1,2  -----	1-10
A	US 2002/056526 A1 (KELDERS JOHANNES H.J.M ET AL) 16 May 2002 (2002-05-16) paragraph '0017! - paragraph '0019!; figure 1  -----	1-10
A	US 6 461 068 B1 (HOLMES ROBERT) 8 October 2002 (2002-10-08) column 6, line 43 - column 7, line 24; figure 1  -----	1-10
	-/--	

Further documents are listed in the continuation of box C.

Patent family members are listed in annex.

° Special categories of cited documents :

- \*A\* document defining the general state of the art which is not considered to be of particular relevance
- \*E\* earlier document but published on or after the international filing date
- \*L\* document which may throw doubts on priority claim(s) or which is cited to establish the publication date of another citation or other special reason (as specified)
- \*O\* document referring to an oral disclosure, use, exhibition or other means
- \*P\* document published prior to the international filing date but later than the priority date claimed

- \*T\* later document published after the international filing date or priority date and not in conflict with the application but cited to understand the principle or theory underlying the invention
- \*X\* document of particular relevance; the claimed invention cannot be considered novel or cannot be considered to involve an inventive step when the document is taken alone
- \*Y\* document of particular relevance; the claimed invention cannot be considered to involve an inventive step when the document is combined with one or more other such documents, such combination being obvious to a person skilled in the art.
- \*&\* document member of the same patent family

Date of the actual completion of the international search  <p style="text-align: center;">6 April 2005</p>	Date of mailing of the international search report  <p style="text-align: center;">22/04/2005</p>
--	---

Name and mailing address of the ISA European Patent Office, P.B. 5818 Patentlaan 2 NL - 2280 HV Rijswijk Tel. (+31-70) 340-2040, Tx. 31 651 epo nl, Fax: (+31-70) 340-3016	Authorized officer  <p style="text-align: center;">Sartor, M</p>
--	--

## INTERNATIONAL SEARCH REPORT

International Application No  
PCT/US2004/017984

C.(Continuation) DOCUMENTS CONSIDERED TO BE RELEVANT		
Category *	Citation of document, with indication, where appropriate, of the relevant passages	Relevant to claim No.
A	US 5 076 883 A (BOSLEY ET AL) 31 December 1991 (1991-12-31) column 2, line 11 - column 2, line 59; figure 2 -----	1-10
A	US 4 806 184 A (SHANNON ET AL) 21 February 1989 (1989-02-21) column 4, line 4 - column 4, line 30 column 6, line 1 - column 6, line 25; figure 1 -----	1-10
A	EP 0 263 926 A (MOORE PUSH PIN CO CORP; MOORE PUSH-PIN CO CORP) 20 April 1988 (1988-04-20) column 4, line 25 - column 5, line 41; figure 1 -----	1-10

## INTERNATIONAL SEARCH REPORT

 International Application No  
 PCT/US2004/017984

Patent document cited in search report	Publication date	Patent family member(s)	Publication date
US 6540002	B1	01-04-2003	NONE
US 2002056526	A1	16-05-2002	AU 3610402 A 27-05-2002 CA 2428538 A1 23-05-2002 CN 1474779 A 11-02-2004 EP 1334028 A2 13-08-2003 WO 0240348 A2 23-05-2002 MX PA03002966 A 14-07-2003 TW 593067 B 21-06-2004
US 6461068	B1	08-10-2002	NONE
US 5076883	A	31-12-1991	NONE
US 4806184	A	21-02-1989	CA 1317255 C 04-05-1993 GB 2226279 A 27-06-1990
EP 0263926	A	20-04-1988	US 4718971 A 12-01-1988 EP 0263926 A2 20-04-1988 JP 63097257 A 27-04-1988