

(19) World Intellectual Property
Organization
International Bureau



(43) International Publication Date
16 December 2004 (16.12.2004)

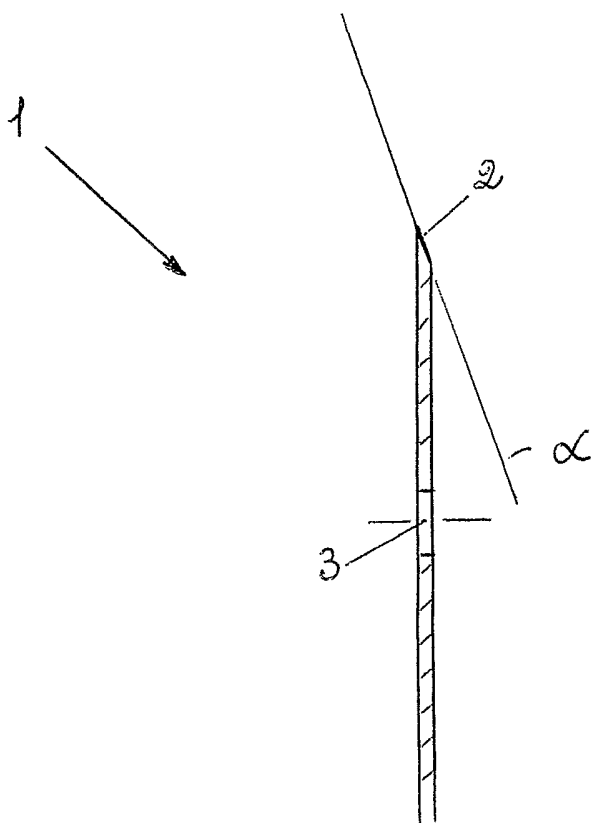
PCT

(10) International Publication Number
WO 2004/108369 A1

- (51) International Patent Classification⁷: **B26B 21/58**
- (21) International Application Number:
PCT/IB2004/001846
- (22) International Filing Date: 27 May 2004 (27.05.2004)
- (25) Filing Language: English
- (26) Publication Language: English
- (30) Priority Data:
2003 0998/03 6 June 2003 (06.06.2003) CH
01692/03 6 October 2003 (06.10.2003) CH
- (71) Applicant and
(72) Inventor: **FREUDIGER, Luca** [CH/CH]; Via Ronco 5,
CH-6982 Agno (CH).
- (74) Agent: **FIAMMENGHI-DOMENIGHETTI, Delfina**;
c/o Fiammenghi-Fiammenghi, Via San Gottardo, 15,
CH-6900 Lugano (CH).
- (81) Designated States (*unless otherwise indicated, for every kind of national protection available*): AE, AG, AL, AM, AT, AU, AZ, BA, BB, BG, BR, BW, BY, BZ, CA, CH, CN, CO, CR, CU, CZ, DE, DK, DM, DZ, EC, EE, EG, ES, FI, GB, GD, GE, GH, GM, HR, HU, ID, IL, IN, IS, JP, KE, KG, KP, KR, KZ, LC, LK, LR, LS, LT, LU, LV, MA, MD, MG, MK, MN, MW, MX, MZ, NA, NI, NO, NZ, OM, PG, PH, PL, PT, RO, RU, SC, SD, SE, SG, SK, SL, SY, TJ, TM, TN, TR, TT, TZ, UA, UG, US, UZ, VC, VN, YU, ZA, ZM, ZW.
- (84) Designated States (*unless otherwise indicated, for every kind of regional protection available*): ARIPO (BW, GH, GM, KE, LS, MW, MZ, NA, SD, SL, SZ, TZ, UG, ZM, ZW), Eurasian (AM, AZ, BY, KG, KZ, MD, RU, TJ, TM), European (AT, BE, BG, CH, CY, CZ, DE, DK, EE, ES, FI, FR, GB, GR, HU, IE, IT, LU, MC, NL, PL, PT, RO, SE, SI, SK, TR), OAPI (BF, BJ, CF, CG, CI, CM, GA, GN, GQ, GW, ML, MR, NE, SN, TD, TG).
- Published:
— with international search report

[Continued on next page]

(54) Title: BLADE FOR RAZORS USED FOR COSMETIC AND HYGIENE/SANITARY PURPOSES



(57) Abstract: A blade (1) for razors used for cosmetic and hygiene/sanitary purposes made of a hard monocrystalline synthetic stone is described.



WO 2004/108369 A1



-
- *before the expiration of the time limit for amending the claims and to be republished in the event of receipt of amendments*
- For two-letter codes and other abbreviations, refer to the "Guidance Notes on Codes and Abbreviations" appearing at the beginning of each regular issue of the PCT Gazette.*

Blade for razors used for cosmetic and hygiene/sanitary purposes

5 The present invention relates to the sector of razors with an interchangeable blade which are used for cosmetic or hygiene/sanitary purposes in order to perform shaving and removal of hair.

10 More particularly, the invention relates to the technological sector which deals with the manufacture of the said blades in that it concerns a blade made with materials hitherto never used for such purposes.

15 The blades currently used are made of materials which are mainly metallic and have an adequate surface hardness. This allows the period of time for which a blade remains sharp to be increased so as to allow more prolonged use thereof before replacement is required, but said time period is nevertheless fairly short.

20 The metallic materials used, moreover, since they necessarily have a surface which is porous and/or rough, allow foreign substances, including those of an organic nature, to adhere to a blade and penetrate into the said porous and rough surface, withstanding ordinary washing and even the action of disinfectants.

25 The presence of these substances on the metallic body of a blade results in two drawbacks: firstly said substances accelerate corrosion of the blade due to oxidation, with a negative effect on the sharpness thereof; secondly they constitute a potential source for transmission of pathogenic germs which may easily
30 penetrate into the organism through the cuts and abrasions which the skin frequently suffers during the course of a shaving or hair-removal operation.

35 The inventor of the subject of the present invention has had the idea that all the abovementioned drawbacks may be avoided by using materials which are radically different from those used hitherto and which have a very high surface hardness and the surface of which does not have a notable porosity and/or roughness.

The inventor has therefore devised a razor blade of the type illustrated above which is made of a hard monocrystalline stone, such as ruby and sapphire, obtained synthetically.

5 The subject of the present invention is therefore a razor blade as described in the accompanying Claim 1.

One of the possible examples of embodiment of a blade manufactured in accordance with the invention will now be described, purely by way of illustration, with reference also to the accompanying figure which shows a longitudinal section through the abovementioned example of embodiment.

10 If we consider the figure, in said drawing it can be seen how a blade 1 manufactured in accordance with the invention does not differ, in terms of form, from the blades of the known type: it generally has a rectangular shape and has a cutting edge 2 formed by means of grinding, usually performed in a single sharpening plane α .

15 The blade 1 also has in most cases holes 3i for fixing it onto the razor (not shown). What distinguishes the blade 1 from the examples of the state of the art is the use, for the manufacture thereof, of synthetic sapphire or ruby.

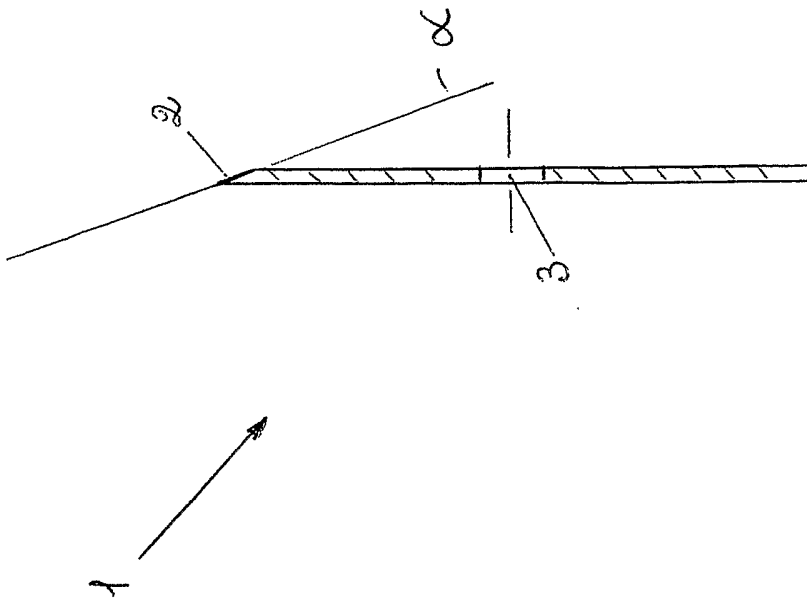
20 As mentioned, by using these materials, it is possible to avoid all the drawbacks described in the introductory part of the present description, obtaining blades which are suitable also for hygienic/sanitary use in the medical sector. The blades manufactured in accordance with the invention, which are devoid of porosity or roughness, may in fact be effectively sterilized with great ease.

25 The increase in the cost for the manufacture of a blade 1 made of synthetic ruby or sapphire is moreover, according to the inventor, only apparent: a blade of this kind may be used without the need for replacement for very long periods of time before its sharpness diminishes, and this results in a considerable saving in terms of replacement blades, which substantially

compensates for the initial greater cost. Its operative performance, as already mentioned, is also markedly superior since it avoids the risks of infection which may have consequences, also of a very harmful nature, for the health of the users.

Claims

1. Blade (1) for razors used for cosmetic and hygiene/sanitary purposes, characterized in that it is made of a hard monocrystalline synthetic stone.
2. Blade according to Claim 1, made of synthetic sapphire.
3. Blade according to Claim 1, made of synthetic ruby.



INTERNATIONAL SEARCH REPORT

International Application No
PCT/IB2004/001846

A. CLASSIFICATION OF SUBJECT MATTER
IPC 7 B26B21/58

According to International Patent Classification (IPC) or to both national classification and IPC

B. FIELDS SEARCHED

Minimum documentation searched (classification system followed by classification symbols)
IPC 7 B26B

Documentation searched other than minimum documentation to the extent that such documents are included in the fields searched

Electronic data base consulted during the international search (name of data base and, where practical, search terms used)
EPO-Internal

C. DOCUMENTS CONSIDERED TO BE RELEVANT

Category *	Citation of document, with indication, where appropriate, of the relevant passages	Relevant to claim No.
X	US 4 534 827 A (HENDERSON DONALD W) 13 August 1985 (1985-08-13) column 1, line 14 - line 21 column 2, line 11 - line 17 column 8, line 4 - line 52; claims 1,8; figures 1,2	1-3
X	US 3 834 265 A (TAFAPOLSKY B ET AL) 10 September 1974 (1974-09-10) column 1, line 51 - column 5, line 12; claims 1,7,12; figures 1-5D	1,2
X	US 5 048 191 A (HAHN STEVE S) 17 September 1991 (1991-09-17) column 1, line 6 - line 43 column 2, line 30 - line 42 column 3, line 50 - column 5, line 48; claims 1,7,9; figures 1-4	1,2
	----- -/--	

Further documents are listed in the continuation of box C.

Patent family members are listed in annex.

* Special categories of cited documents :

- *A* document defining the general state of the art which is not considered to be of particular relevance
- *E* earlier document but published on or after the international filing date
- *L* document which may throw doubts on priority claim(s) or which is cited to establish the publication date of another citation or other special reason (as specified)
- *O* document referring to an oral disclosure, use, exhibition or other means
- *P* document published prior to the international filing date but later than the priority date claimed

- *T* later document published after the international filing date or priority date and not in conflict with the application but cited to understand the principle or theory underlying the invention
- *X* document of particular relevance; the claimed invention cannot be considered novel or cannot be considered to involve an inventive step when the document is taken alone
- *Y* document of particular relevance; the claimed invention cannot be considered to involve an inventive step when the document is combined with one or more other such documents, such combination being obvious to a person skilled in the art.
- * & * document member of the same patent family

Date of the actual completion of the international search

5 October 2004

Date of mailing of the international search report

12/10/2004

Name and mailing address of the ISA

European Patent Office, P.B. 5818 Patentlaan 2
NL - 2280 HV Rijswijk
Tel. (+31-70) 340-2040, Tx. 31 651 epo nl,
Fax: (+31-70) 340-3016

Authorized officer

Maier, M

INTERNATIONAL SEARCH REPORT

Int'l Application No PCT/1B2004/001846

C.(Continuation) DOCUMENTS CONSIDERED TO BE RELEVANT		
Category °	Citation of document, with indication, where appropriate, of the relevant passages	Relevant to claim No.
A	EP 1 092 515 A (NEWMAN MARTIN H) 18 April 2001 (2001-04-18) paragraph '0004! - paragraph '0006! -----	1-3
A	US 3 894 337 A (JONES FREDERICK O) 15 July 1975 (1975-07-15) column 5, line 61 - column 6, line 34; claim 1; figures 1-3 -----	1,2

INTERNATIONAL SEARCH REPORT

 International Application No
 PCT/JP2004/001846

Patent document cited in search report		Publication date	Patent family member(s)	Publication date			
US 4534827	A	13-08-1985	CA 1243588 A1	25-10-1988			
			EP 0139169 A2	02-05-1985			
			JP 60077788 A	02-05-1985			

US 3834265	A	10-09-1974	NONE				

US 5048191	A	17-09-1991	AU 7476091 A	31-12-1991			
			CN 1057222 A , B	25-12-1991			
			DE 69119902 D1	04-07-1996			
			DE 69119902 T2	16-01-1997			
			EP 0532501 A1	24-03-1993			
			RU 2108235 C1	10-04-1998			
			WO 9118719 A1	12-12-1991			
			ZA 9101816 A	24-12-1991			

EP 1092515	A	18-04-2001	AT 240821 T	15-06-2003			
			AU 6412100 A	26-04-2001			
			BR 0004830 A	27-11-2001			
			CA 2323259 A1	15-04-2001			
			CZ 20003600 A3	15-08-2001			
			DE 60002812 D1	26-06-2003			
			DE 60002812 T2	26-02-2004			
			EP 1092515 A1	18-04-2001			
			ES 2199111 T3	16-02-2004			
			JP 3553482 B2	11-08-2004			
			JP 2001161701 A	19-06-2001			

			US 3894337	A	15-07-1975	GB 1423831 A	04-02-1976
DE 2317033 A1	18-10-1973						
ES 413476 A1	16-07-1976						
FR 2180326 A5	23-11-1973						
JP 1071311 C	30-10-1981						
JP 49016551 A	14-02-1974						
JP 56013477 B	28-03-1981						
