



US0D1008152S

(12) **United States Design Patent**
Enyeart et al.

(10) **Patent No.:** **US D1,008,152 S**

(45) **Date of Patent:** **** Dec. 19, 2023**

(54) **MOUNTING FLANGE**

(71) Applicants: **Daniel Ray Enyeart**, Gladstone, OR
(US); **Evan Waymire**, Oregon City, OR
(US)

(72) Inventors: **Daniel Ray Enyeart**, Gladstone, OR
(US); **Evan Waymire**, Oregon City, OR
(US)

(**) Term: **15 Years**

(21) Appl. No.: **29/825,443**

(22) Filed: **Feb. 1, 2022**

Related U.S. Application Data

(63) Continuation-in-part of application No. 16/421,031, filed on May 23, 2019, now Pat. No. 11,285,801, and a continuation-in-part of application No. 16/417,143, filed on May 20, 2019, now Pat. No. 11,548,375, which is a continuation-in-part of application No. 29/626,889, filed on Nov. 21, 2017, now Pat. No. Des. 886,958, said application No. 16/421,031 is a continuation-in-part of application No. 15/276,801, filed on Sep. 27, 2016, now Pat. No. 10,486,527.

(51) **LOC (14) Cl.** **12-16**

(52) **U.S. Cl.** **D12/218**

USPC **D12/218**

(58) **Field of Classification Search**

USPC D12/14, 82, 93, 94, 95, 96, 97, 98, 100,

D12/114, 197, 218; D23/260, 261, 268

CPC B60K 15/06; B60K 2015/03026; B60K

2015/03111; F02M 37/00; F02M 37/0017;

F02M 37/0082

See application file for complete search history.

(56) **References Cited**

U.S. PATENT DOCUMENTS

5,873,348 A * 2/1999 Fuchs F02M 37/30

123/514

6,161,562 A * 12/2000 Keefer F02M 37/0082

137/15.08

D458,354 S *	6/2002	Watson	D23/266
D466,468 S *	12/2002	Watson	D12/218
D558,120 S *	12/2007	Watson	D12/218
D592,580 S *	5/2009	Watson	D12/218
D598,986 S *	8/2009	Waymire	D23/266
D611,577 S *	3/2010	Waymire	D23/266
D626,055 S *	10/2010	Watson	D12/218
D632,630 S *	2/2011	Watson	D12/218
D698,302 S *	1/2014	Waymire	D12/218

(Continued)

OTHER PUBLICATIONS

Fuel Tank Top Plate Assembly, Sockos Sprint Parts Webpage [online], [Site Visit Jun. 27, 2023], URL: <https://www.sprintparts.com/fuel-tanks-bladders/fuel-tank-top-plate-assembly/> (Year: 2023).*

(Continued)

Primary Examiner — Calvin E Vansant
Assistant Examiner — Giang Hoang Tran
(74) *Attorney, Agent, or Firm* — Ingrid McTaggart

(57) **CLAIM**

The ornamental design for a mounting flange, as shown and described.

DESCRIPTION

FIG. 1 is an isometric view of a mounting flange showing our new design;

FIG. 2 is a top plan view thereof;

FIG. 3 is a bottom plan view thereof;

FIG. 4 is front elevation view thereof;

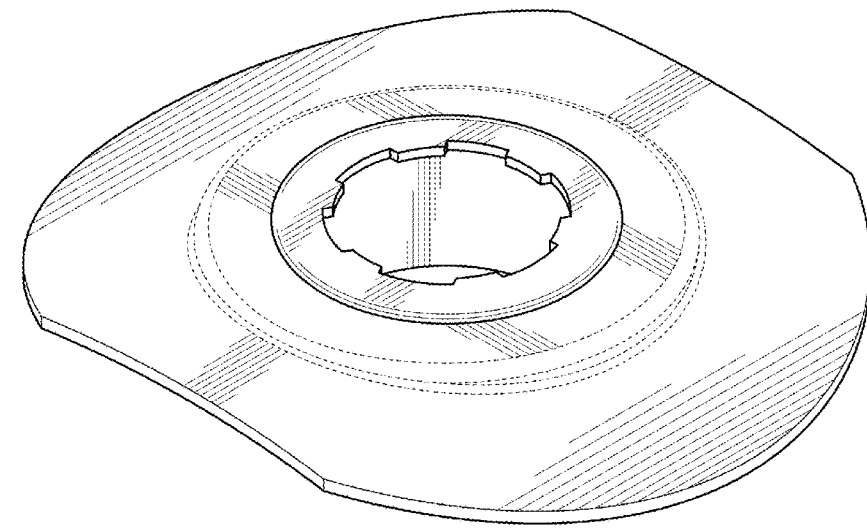
FIG. 5 is a rear elevation view thereof;

FIG. 6 is a left side elevation view thereof; and,

FIG. 7 is right side elevation view thereof.

The dash lines in the drawings illustrate portions of the mounting flange that form no part of the claimed design.

1 Claim, 4 Drawing Sheets



(56)

References Cited

U.S. PATENT DOCUMENTS

D699,328 S * 2/2014 Haynes D23/269
D842,569 S * 3/2019 Koennecke D32/40
D843,558 S * 3/2019 Andersson D23/386
D846,008 S * 4/2019 Geldenhuys D15/138
D886,958 S * 6/2020 Waymire D23/266
D898,879 S * 10/2020 Kalb D8/382
2004/0201180 A1 * 10/2004 Shah F16J 15/0887
277/592
2008/0185491 A1 * 8/2008 Bosch F02M 37/0082
248/346.5
2018/0172519 A1 * 6/2018 Bessette G01L 19/0038
2019/0270378 A1 * 9/2019 Enyeart B60K 15/067
2019/0275880 A1 * 9/2019 Enyeart B60K 15/073
2020/0369143 A1 * 11/2020 Enyeart B60K 15/00
2021/0143574 A1 * 5/2021 Volpone H01R 13/73

OTHER PUBLICATIONS

Flush Mount Fuel Cap Assembly, Hyper Racing Webpage [online],
[Site Visit Jun. 27, 2023], URL: <https://www.hyperracing.com/Flush-Mount-Fuel-Cap-Assembly> (Year: 2023).*

* cited by examiner

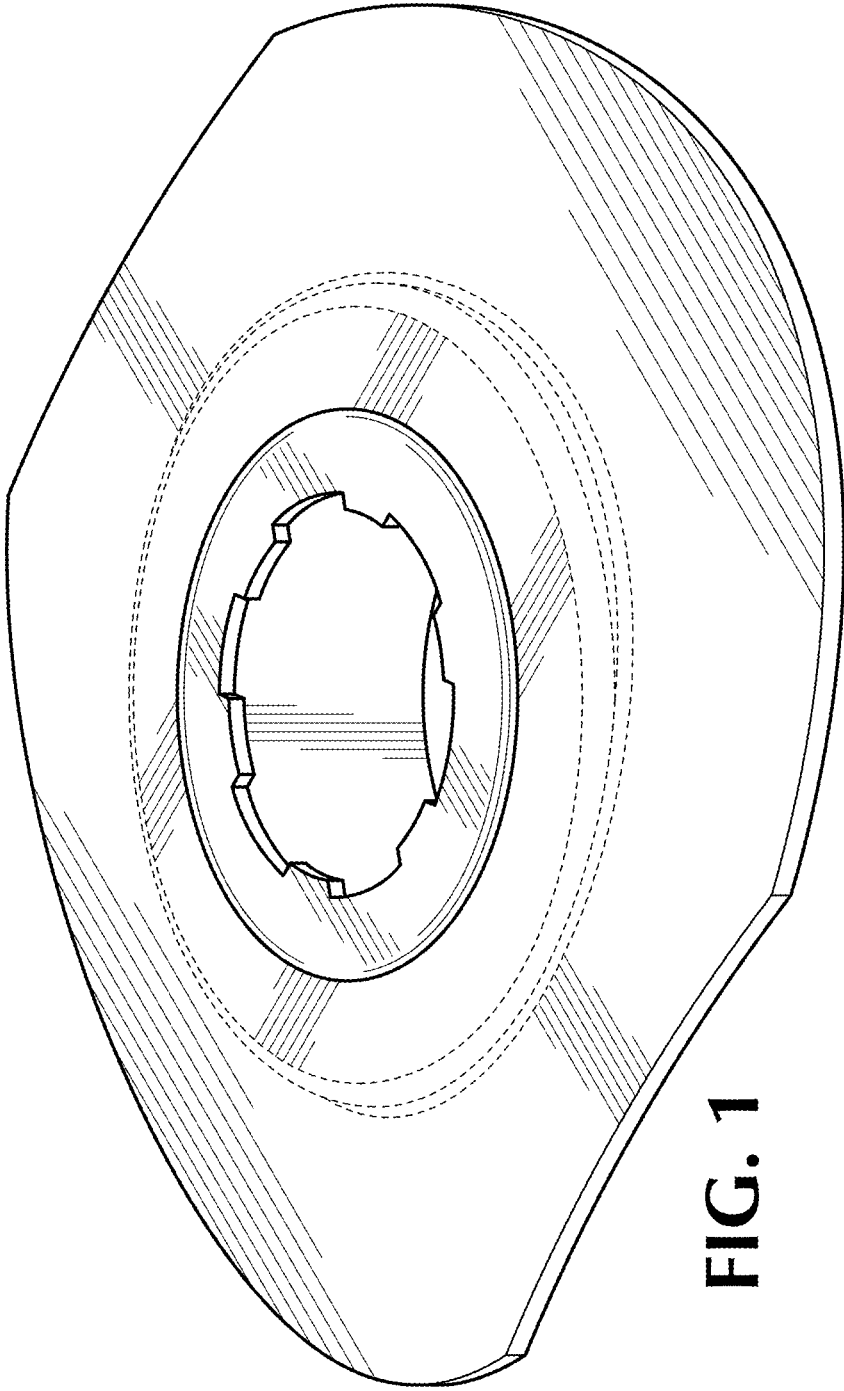


FIG. 1

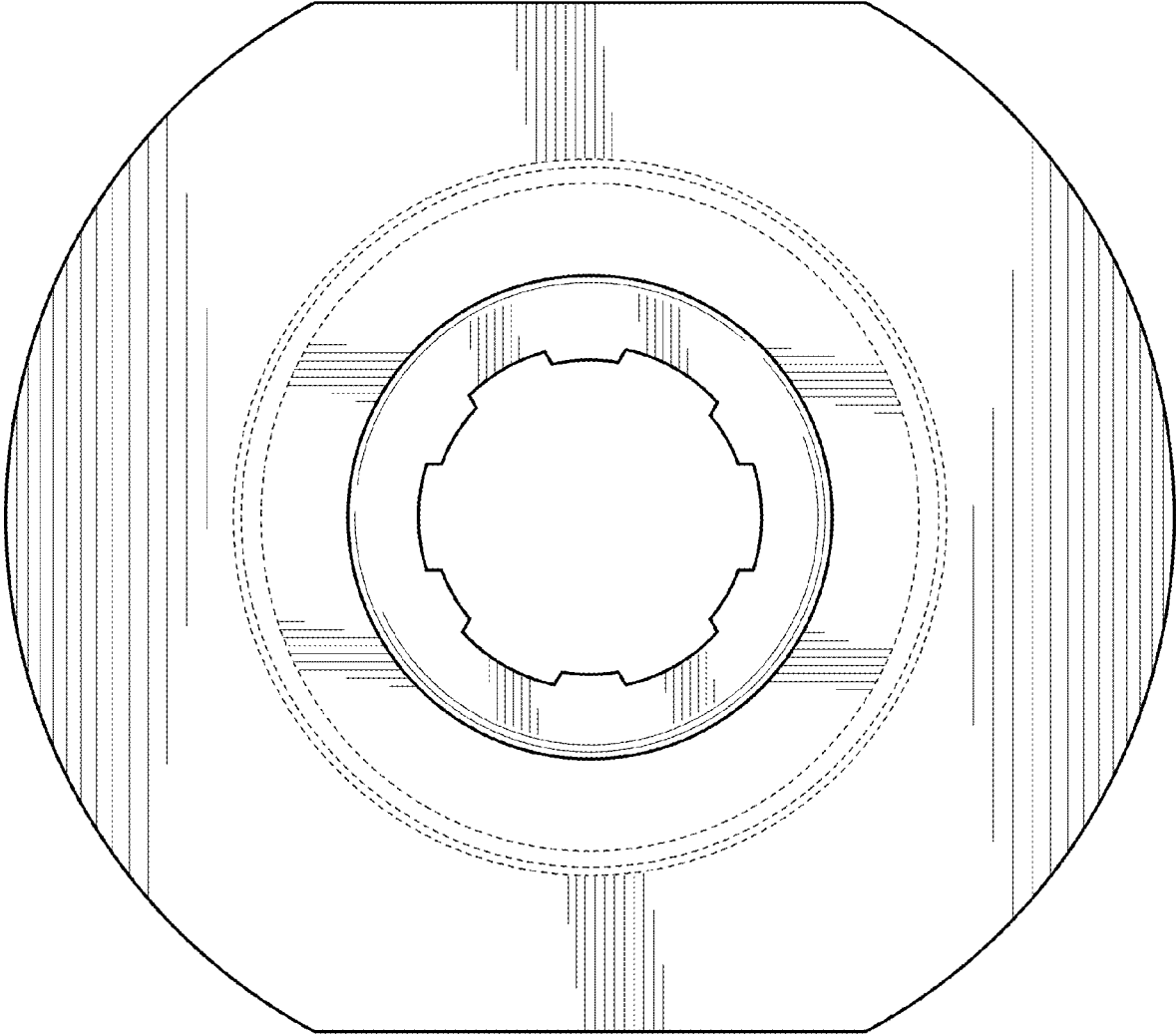


FIG. 2

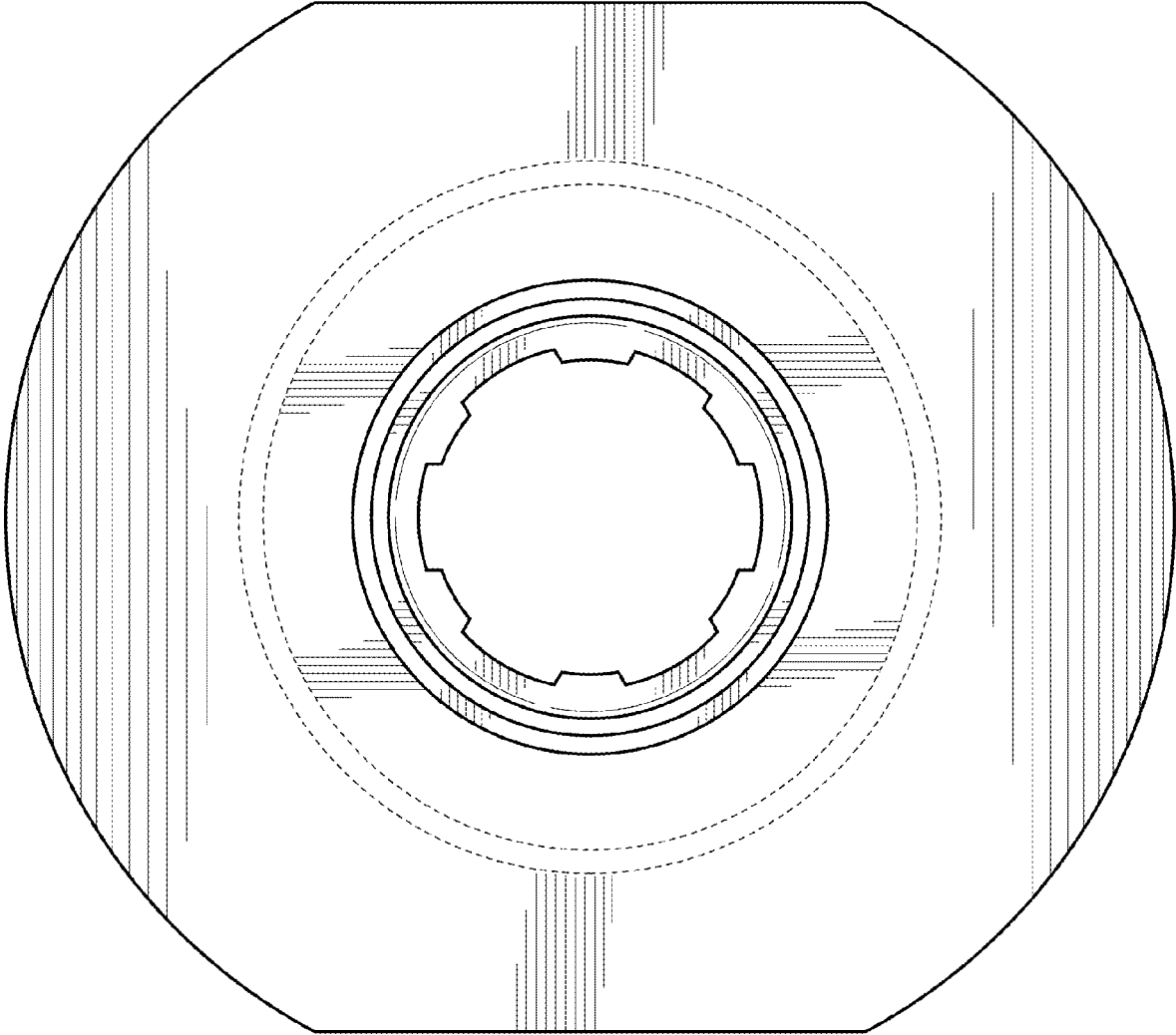


FIG. 3

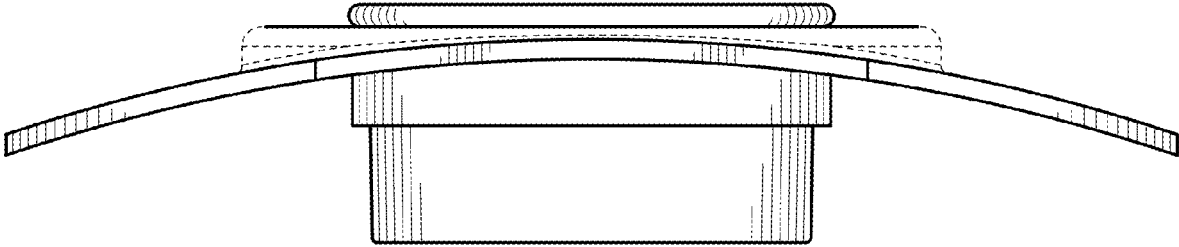


FIG. 4

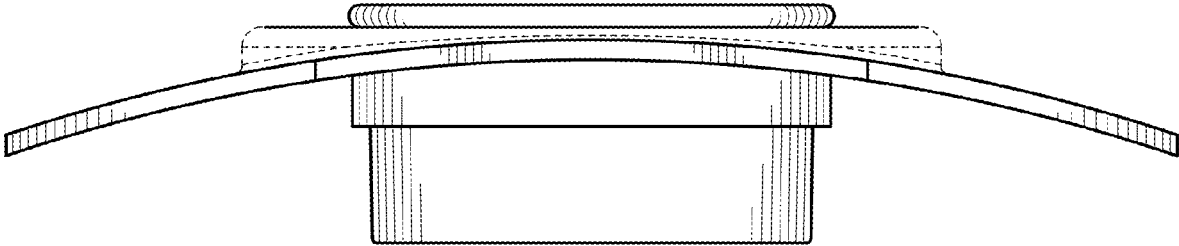


FIG. 5

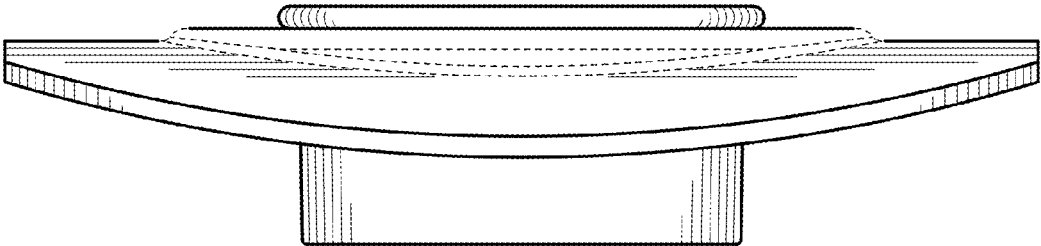


FIG. 6

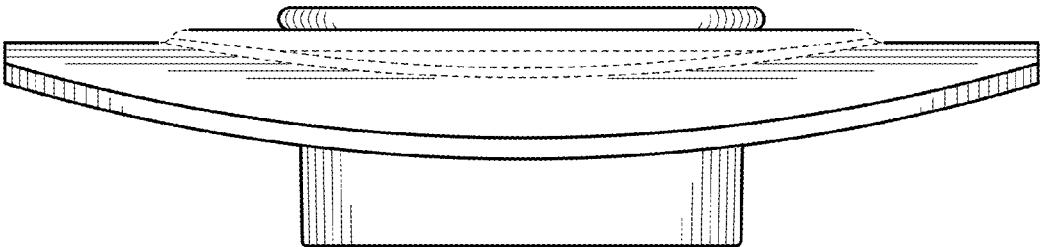


FIG. 7