



US00D995595S

(12) **United States Design Patent**
Tian

(10) **Patent No.:** **US D995,595 S**

(45) **Date of Patent:** **** Aug. 15, 2023**

- (54) **WAREHOUSE ROBOT**
- (71) Applicant: **HAI ROBOTICS CO., LTD.,**
Guangdong (CN)
- (72) Inventor: **Wenzhao Tian,** Guangdong (CN)
- (73) Assignee: **HAI ROBOTICS CO., LTD.,**
Shenzhen (CN)
- (**) Term: **15 Years**

- D974,437 S * 1/2023 Kong D15/199
- D974,438 S * 1/2023 Kong D15/199
- D974,439 S * 1/2023 Kong D15/199
- D976,978 S * 1/2023 Kong D15/199
- D976,979 S * 1/2023 Kong D15/199
- D976,980 S * 1/2023 Kong D15/199

(Continued)

Primary Examiner — Patricia A Palasik
(74) *Attorney, Agent, or Firm* — Ladas & Parry LLP

- (21) Appl. No.: **29/813,919**
- (22) Filed: **Nov. 2, 2021**

(57) **CLAIM**
I claim the ornamental design for a warehouse robot, as shown and described.

- (51) **LOC (14) Cl.** **15-99**
- (52) **U.S. Cl.**
USPC **D15/199; D34/34**
- (58) **Field of Classification Search**
USPC D15/122, 199; D21/578–583, 621, 622;
D34/18, 28, 34
CPC B65G 1/0435; B65G 1/1373; B65G
2203/0216; B66F 9/063; G06Q 10/08;
G05D 2201/0216
See application file for complete search history.

DESCRIPTION

FIG. 1 is a top, right front perspective view of a warehouse robot showing our new design;
 FIG. 2 is a top, left back perspective view thereof;
 FIG. 3 is a front view thereof;
 FIG. 4 is a back view thereof;
 FIG. 5 is a left-side view thereof;
 FIG. 6 is a right-side view thereof;
 FIG. 7 is a top view thereof;
 FIG. 8 is a bottom view thereof;
 FIG. 9 is an enlarged view of the portion 9 shown in FIG. 1;
 FIG. 10 is an enlarged view of the portion 10 shown in FIG. 1;
 FIG. 11 is an enlarged view of the portion 11 shown in FIG. 1; and,
 FIG. 12 is an enlarged view of the portion 12 shown in FIG. 1.

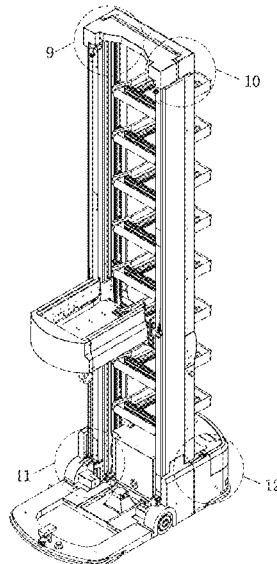
The broken lines shown in the drawings depict portions of the warehouse robot that form no part of the claimed design. The additional broken lines shown in FIGS. 1, 9, 10, 11 and 12 are for purposes of illustrating the enlarged view and are for annotative purposes only. The broken lines form no part of the claimed design.

(56) **References Cited**

U.S. PATENT DOCUMENTS

- D873,174 S * 1/2020 Sokuza D12/1
- D887,468 S * 6/2020 Hirvesaar D15/199
- D898,790 S * 10/2020 Sokuza D15/199
- D902,272 S * 11/2020 Cascajar D15/199
- D902,277 S * 11/2020 Sakaguchi D15/199
- D918,281 S * 5/2021 Kong D15/199
- D924,955 S * 7/2021 Hoshino D15/199
- D959,529 S * 8/2022 Kong D15/199
- D961,646 S * 8/2022 Kong D15/199
- 11,465,840 B2 * 10/2022 Cheng B25J 15/0014
- D969,896 S * 11/2022 Kong D15/199
- D969,899 S * 11/2022 Kong D15/199
- D970,575 S * 11/2022 Kong D15/199
- D970,576 S * 11/2022 Kong D15/199

1 Claim, 10 Drawing Sheets



(56)

References Cited

U.S. PATENT DOCUMENTS

D981,463	S *	3/2023	Kong	D15/199
2017/0120443	A1 *	5/2017	Kang	B25J 13/085
2018/0259975	A1 *	9/2018	Dold	G05D 1/0297
2019/0263250	A1 *	8/2019	Lord	B60K 7/0007
2019/0352092	A1 *	11/2019	Zheng	G06Q 10/08

* cited by examiner

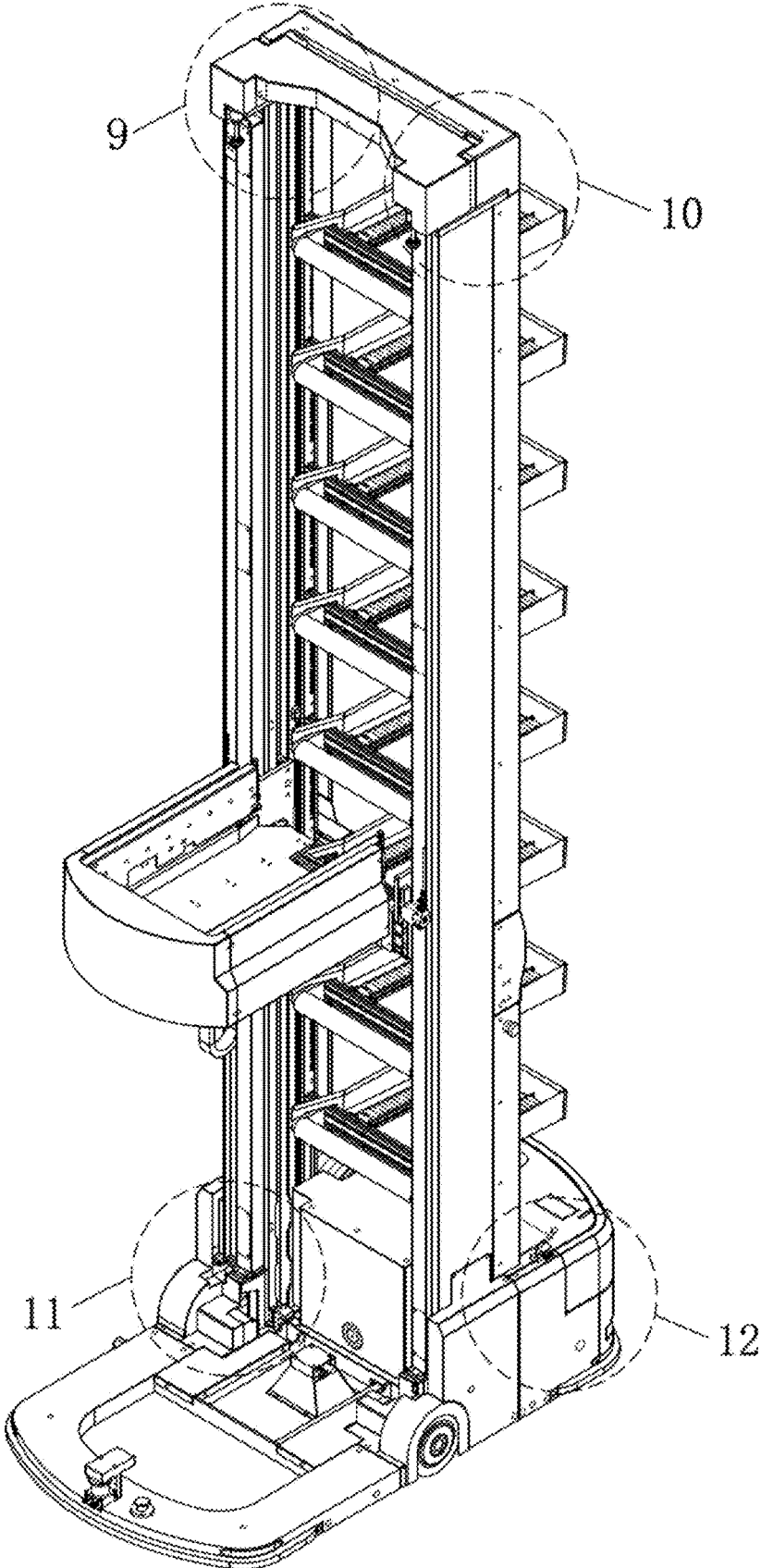


FIG. 1

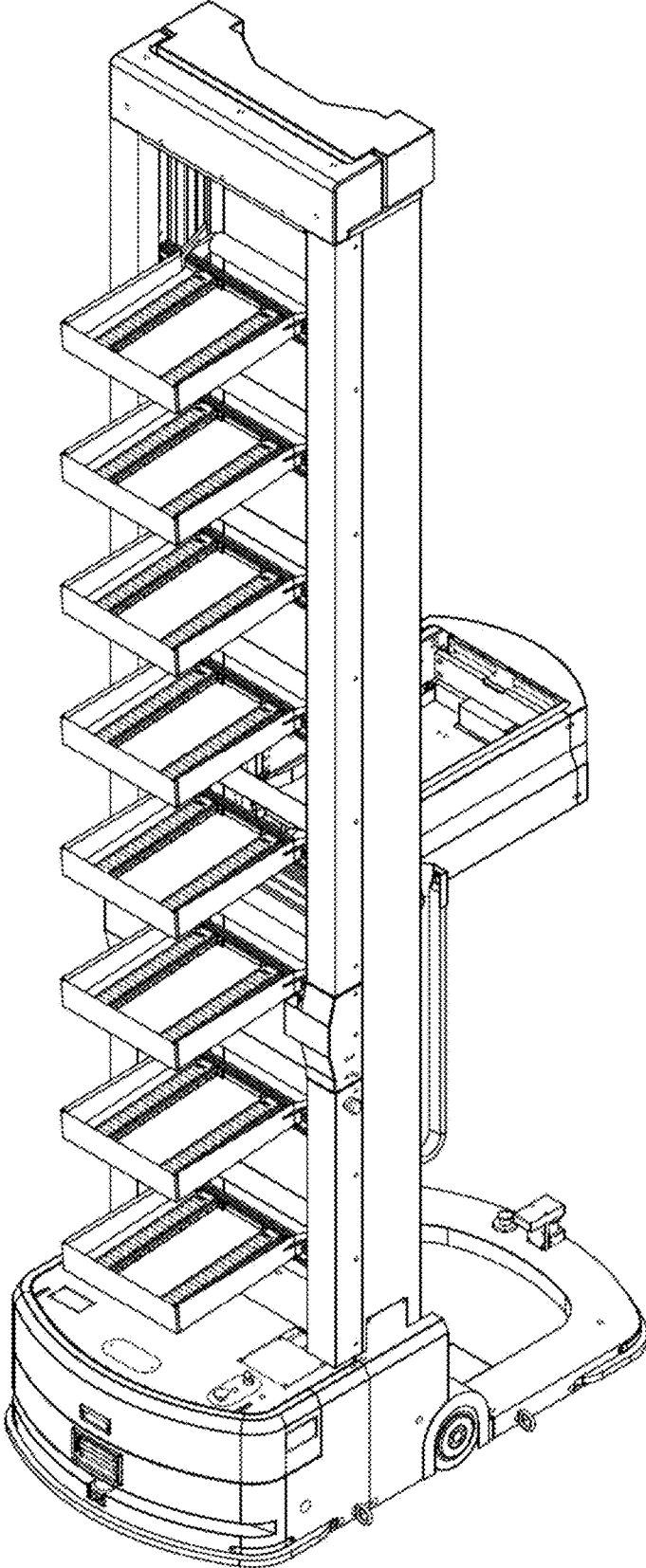


FIG. 2

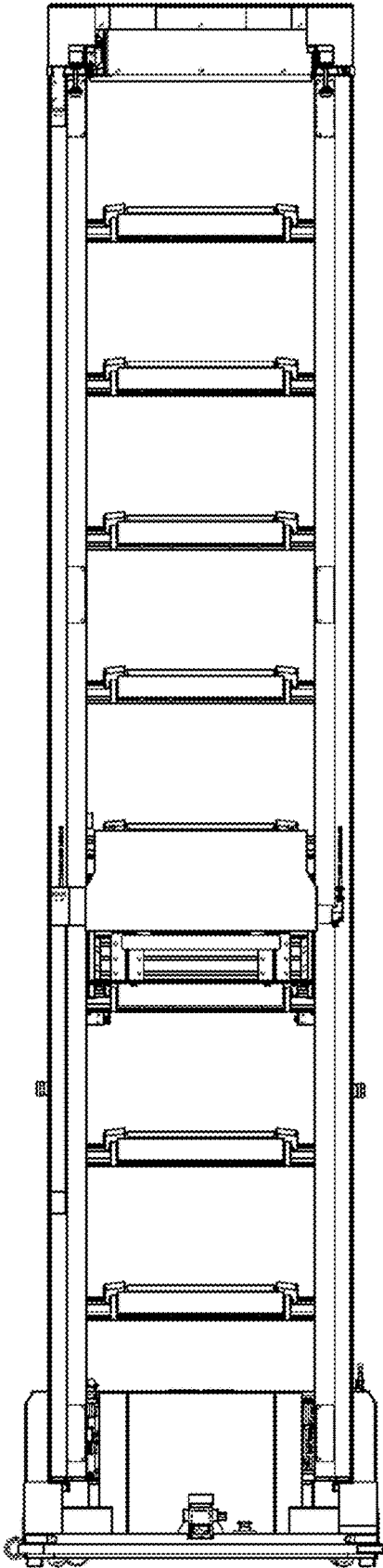


FIG. 3

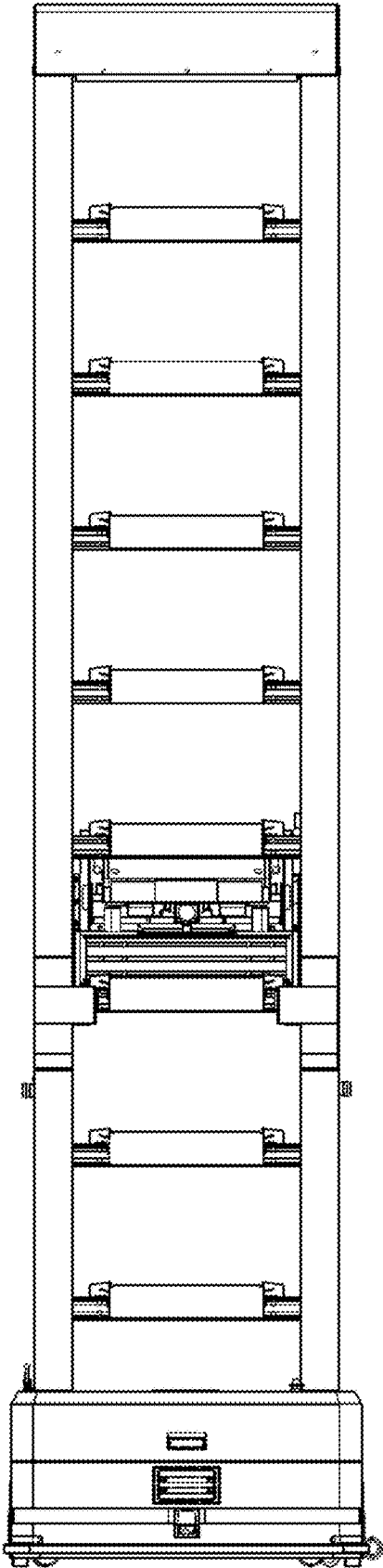


FIG. 4

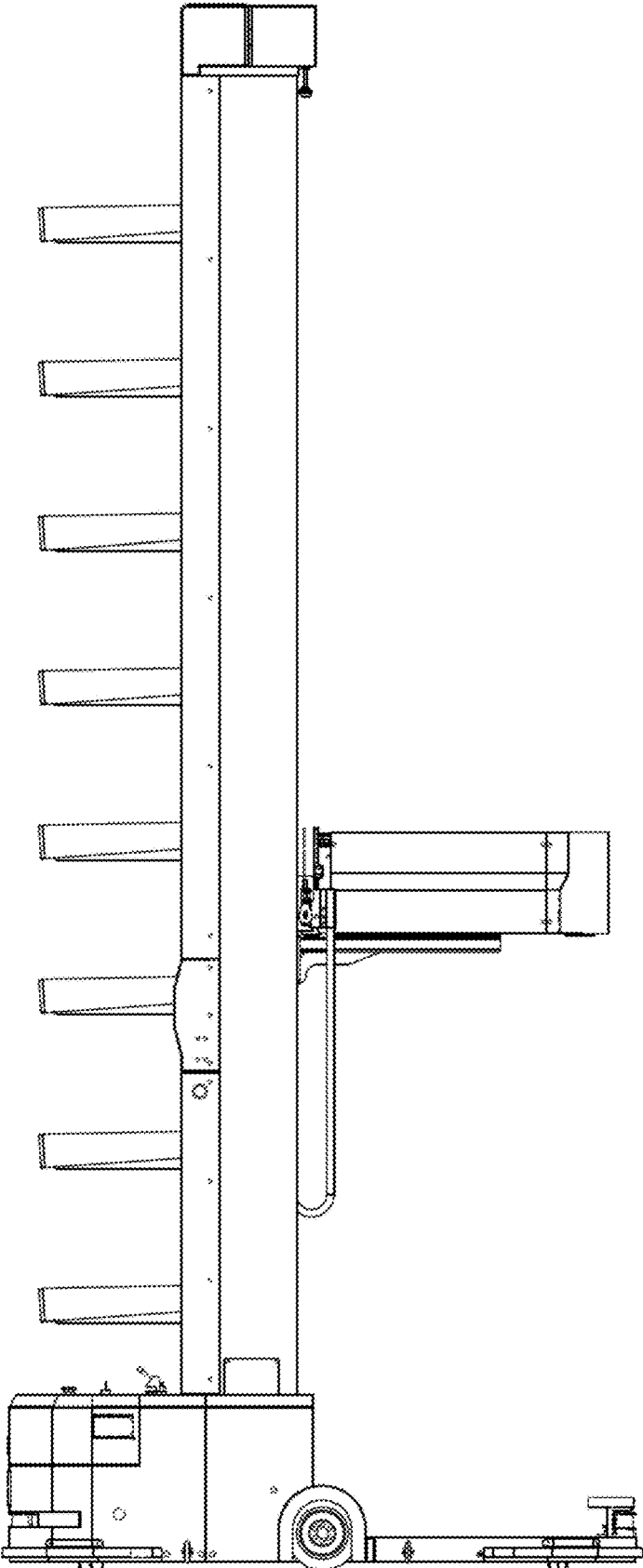


FIG. 5

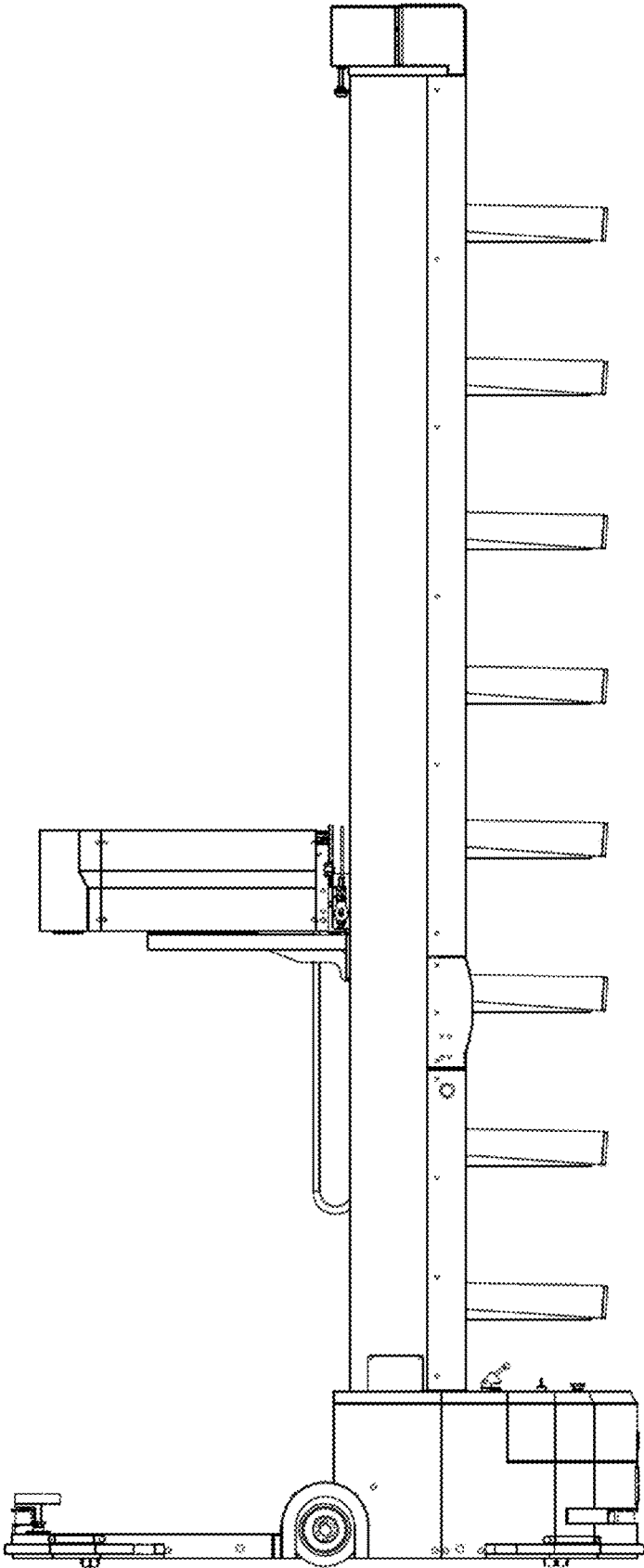


FIG. 6

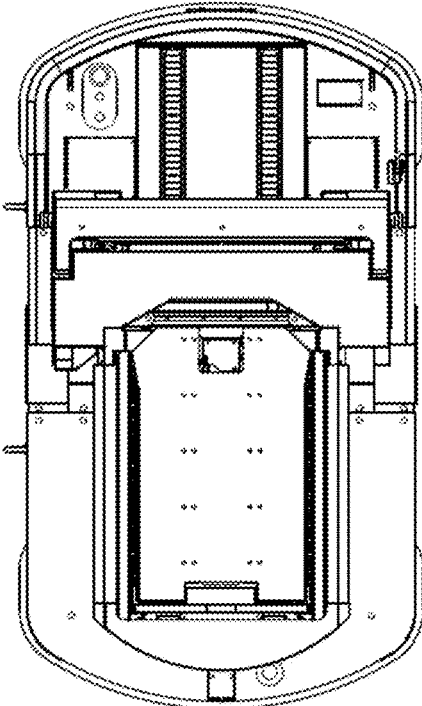


FIG. 7

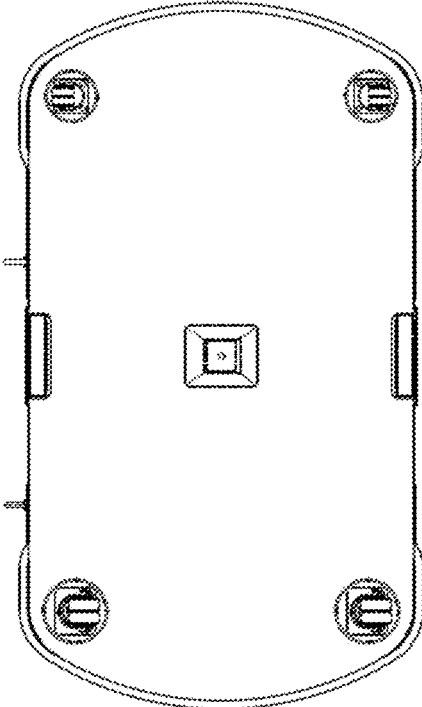


FIG. 8

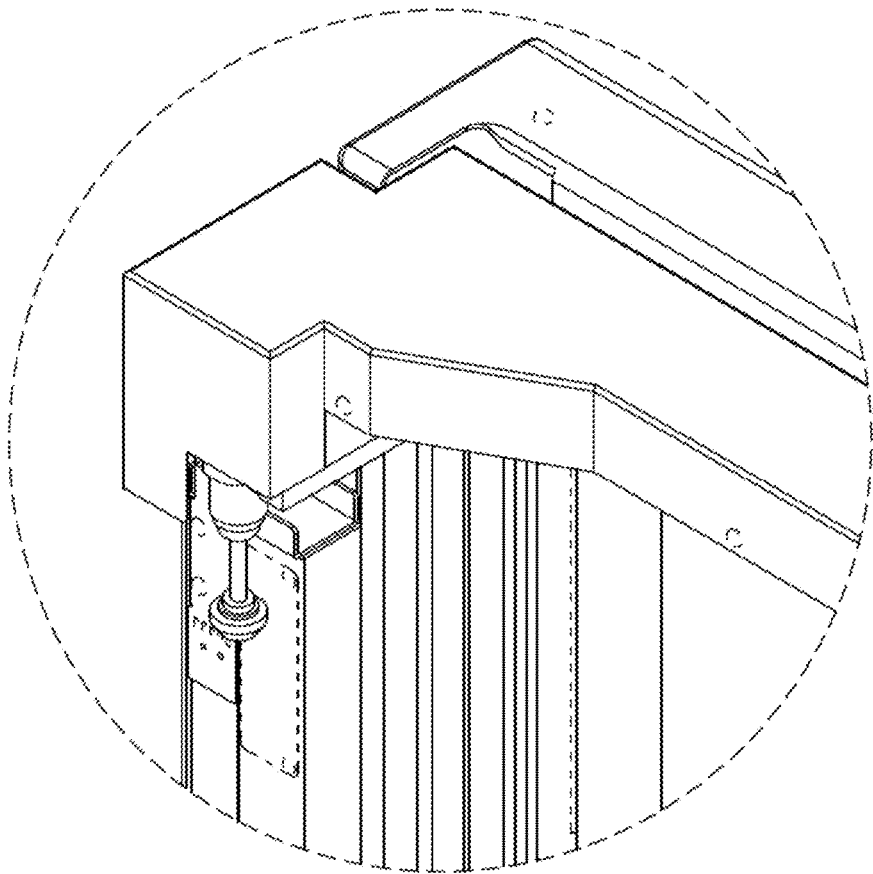


FIG. 9

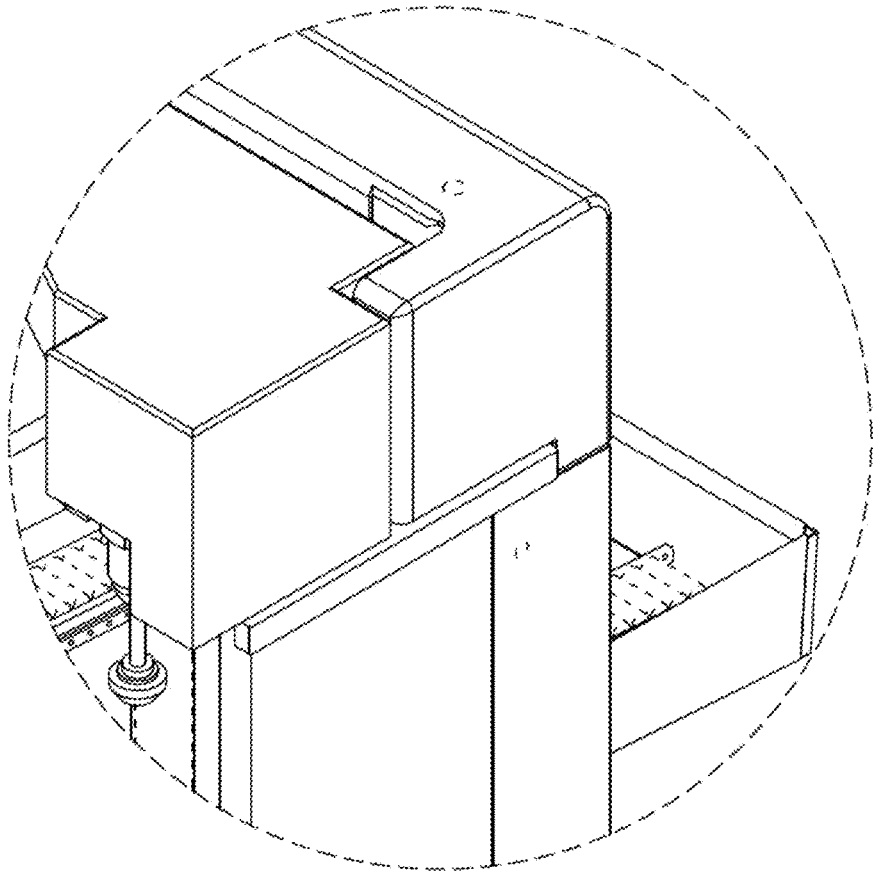


FIG. 10

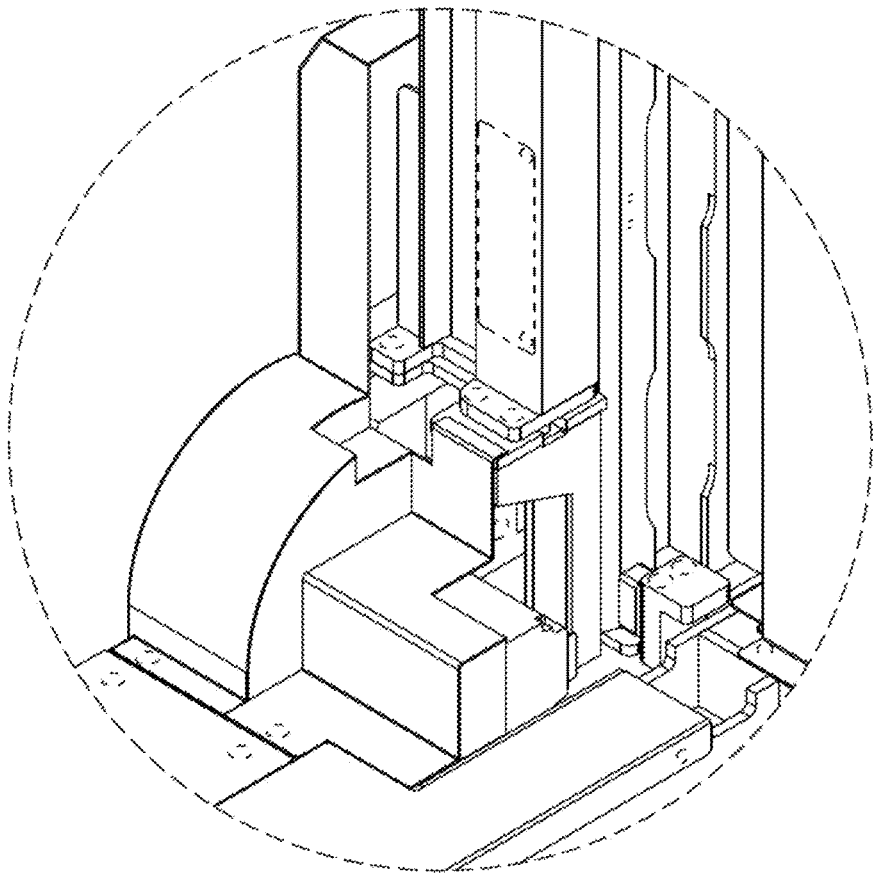


FIG. 11

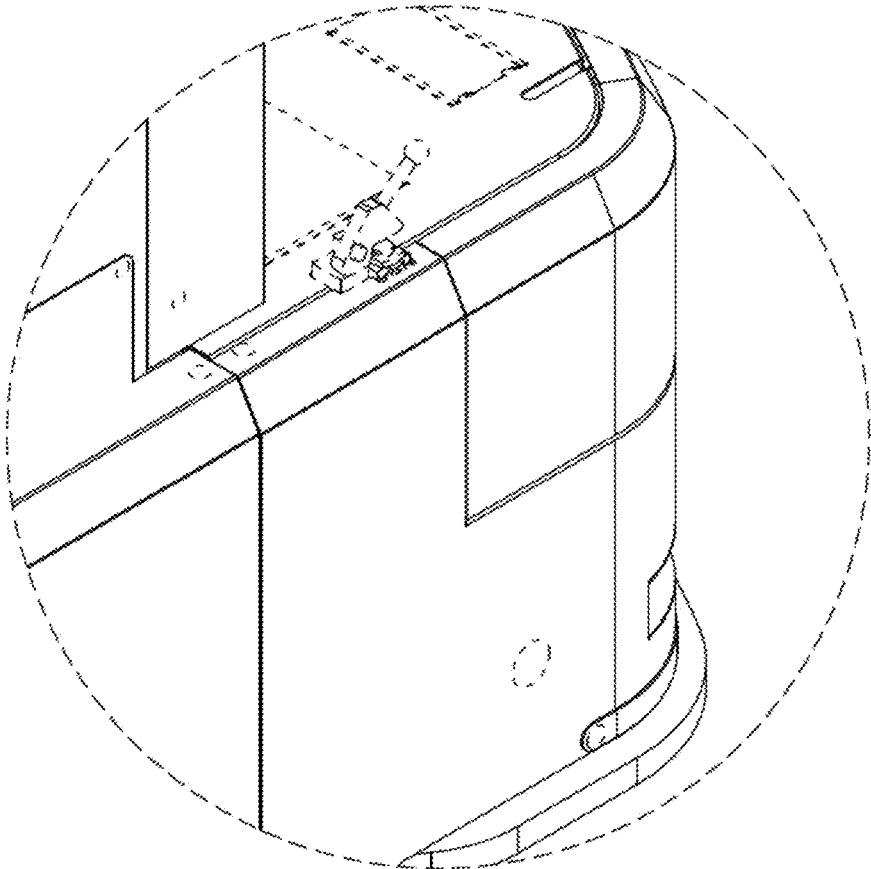


FIG. 12