



US0D1027104S

(12) **United States Design Patent**
Nunez

(10) **Patent No.:** **US D1,027,104 S**

(45) **Date of Patent:** **** May 14, 2024**

(54) **ANIMAL TRAP**
(71) Applicant: **James A. Nunez**, Naples, FL (US)
(72) Inventor: **James A. Nunez**, Naples, FL (US)

9,332,749 B2 5/2016 Cleaver
D995,704 S * 8/2023 Luo D22/119
11,825,829 B1 * 11/2023 Suarez A01M 23/18

(**) Term: **15 Years**
(21) Appl. No.: **29/766,459**

FOREIGN PATENT DOCUMENTS

AU 2002300350 6/2003
AU 2005201024 10/2005
AU 2005201806 11/2006
AU 2005203569 3/2007
AU 2007202705 1/2008
AU 2012202402 11/2012

(22) Filed: **Jan. 15, 2021**
(51) **LOC (14) Cl.** **22-06**
(52) **U.S. Cl.**
USPC **D22/119**
(58) **Field of Classification Search**
USPC D22/119; D25/14-15; 43/58, 114, 131
CPC A01M 3/025; A01M 23/00; A01M 23/04;
A01M 23/08; A01M 23/24; A01M 23/30
See application file for complete search history.

* cited by examiner

Primary Examiner — Catherine R Oliver-Garcia
(74) *Attorney, Agent, or Firm* — Bryan L. Loeffler, Esq.;
LOEFFLER IP GROUP, P.A.

(56) **References Cited**

U.S. PATENT DOCUMENTS

3,975,857 A * 8/1976 Branson A01M 23/18
43/61
D267,904 S * 2/1983 Hampel D25/1
4,703,582 A * 11/1987 DeSena A01M 23/18
43/61
4,829,700 A * 5/1989 Ha A01M 23/18
43/61
D582,505 S * 12/2008 Willcox D22/122
7,540,109 B2 * 6/2009 Hall A01M 23/20
43/60
7,793,460 B2 * 9/2010 Ha A01M 23/18
43/61
8,336,251 B2 12/2012 Orchard
8,962,694 B2 2/2015 Dall et al.

(57) **CLAIM**

The ornamental design for an animal trap, as shown and described.

DESCRIPTION

FIG. 1 is a top view of an animal trap showing my new design;
FIG. 2 is a front view of the animal trap thereof;
FIG. 3 is a bottom view of the animal trap thereof;
FIG. 4 is a rear view of the animal trap thereof;
FIG. 5 is a right side view of the animal trap thereof;
FIG. 6 is a left side view of the animal trap thereof;
FIG. 7 is a cross sectional view along line 7-7 of the animal trap thereof; and,
FIG. 8 is a cross sectional view along line 8-8 of the animal trap thereof.

1 Claim, 4 Drawing Sheets

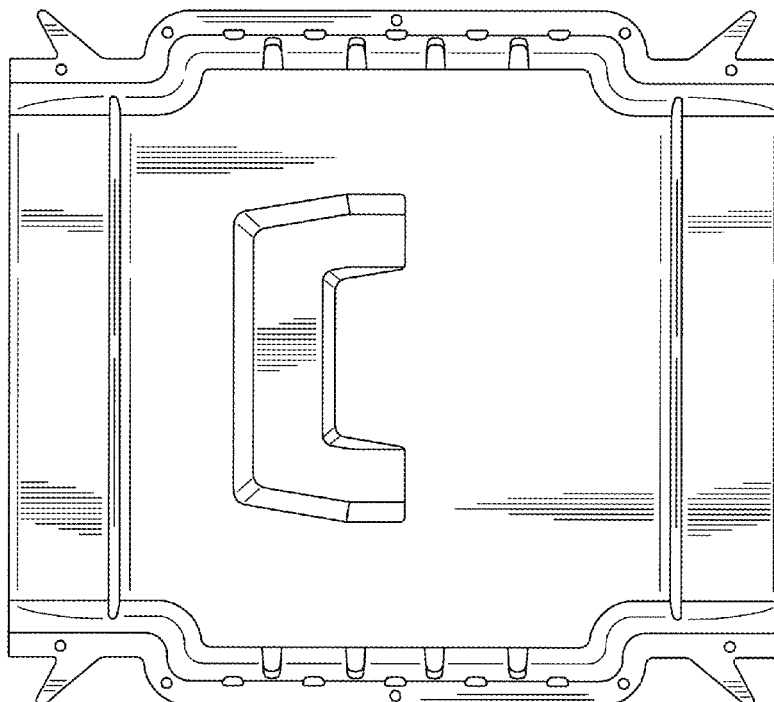


FIG. 1

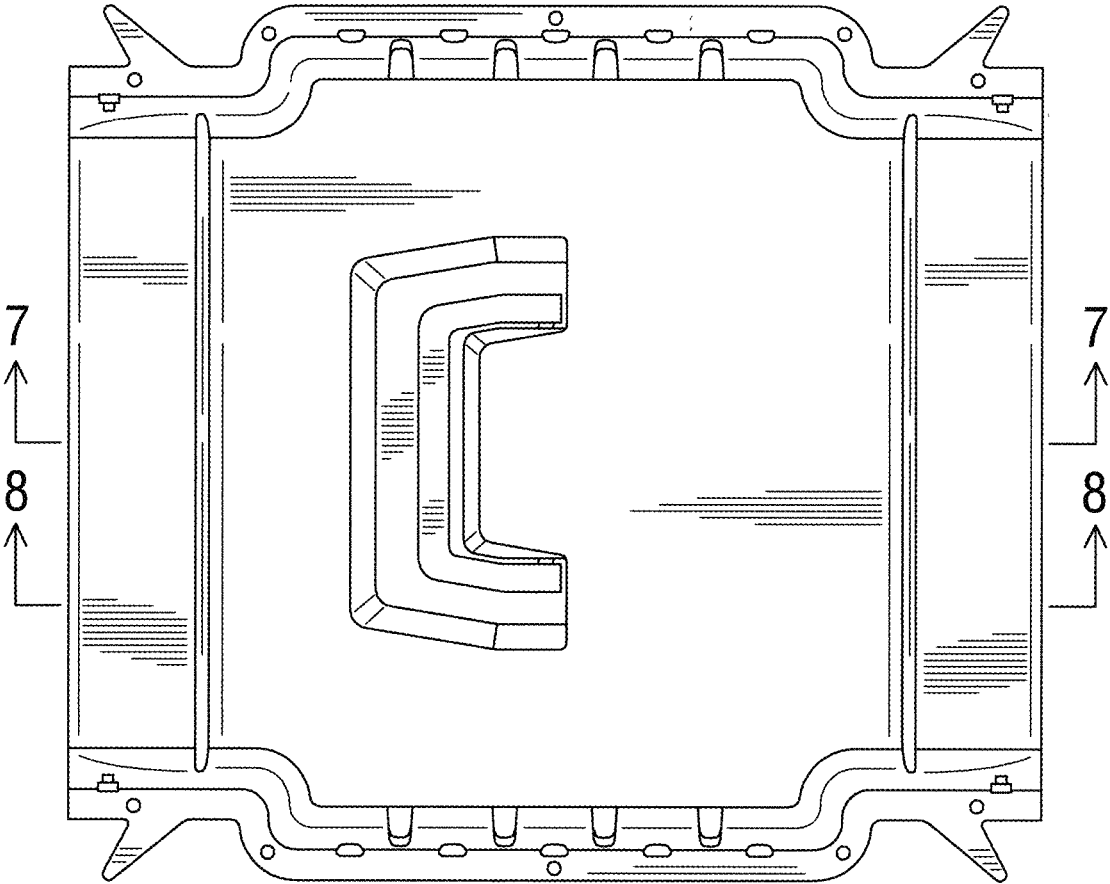


FIG. 2

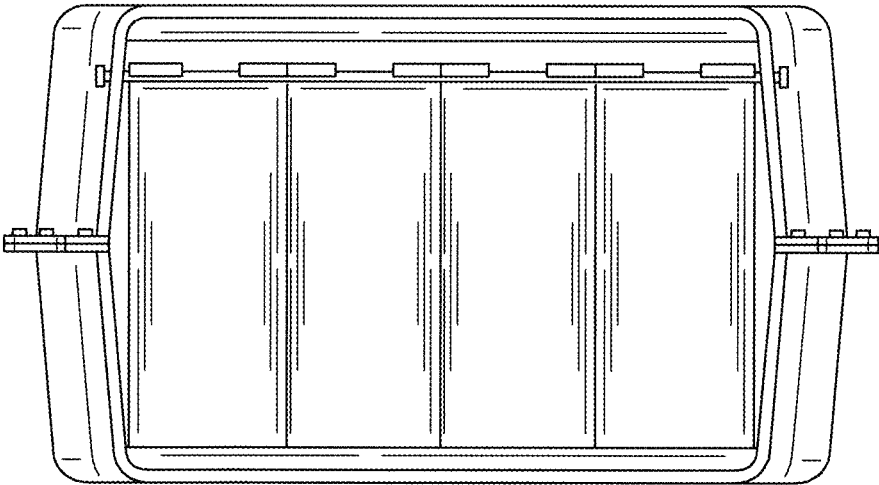


FIG. 3

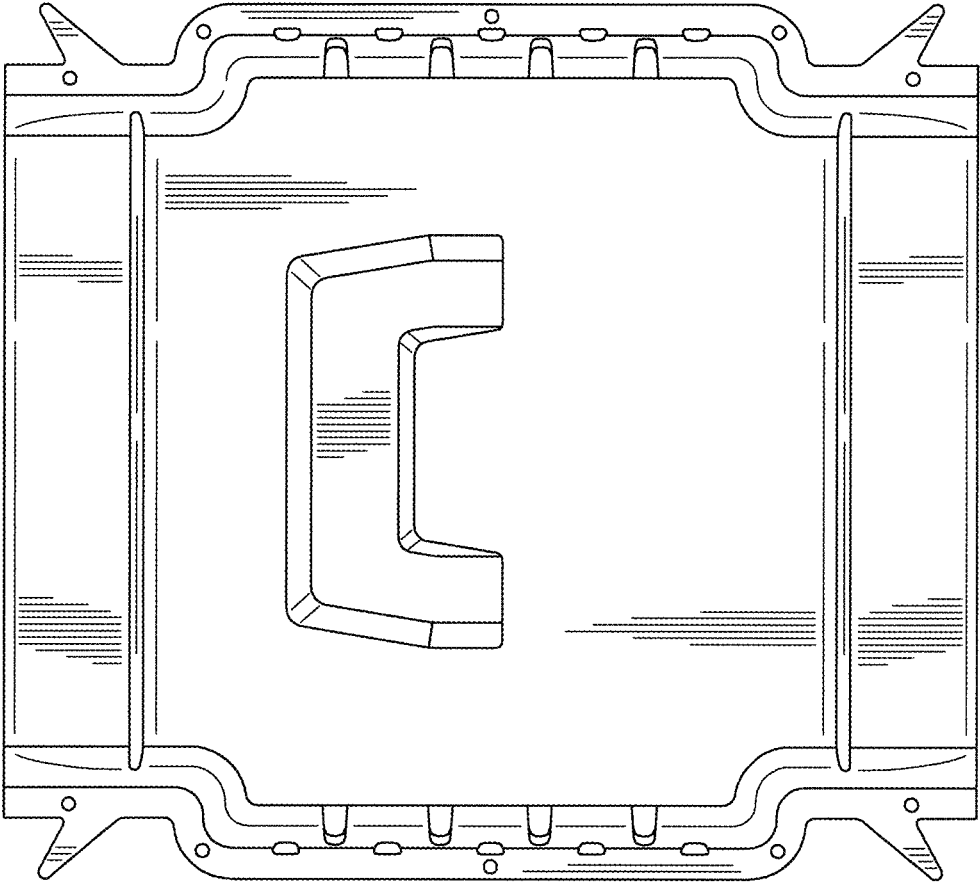


FIG. 4

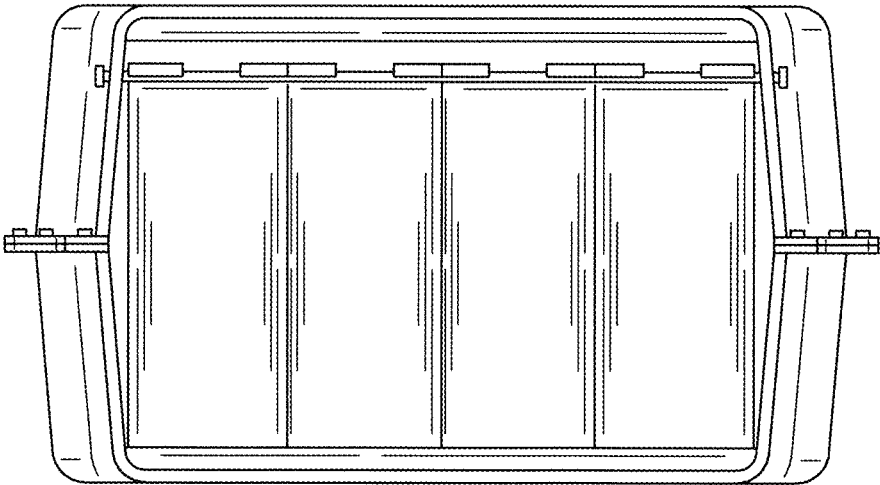


FIG. 5

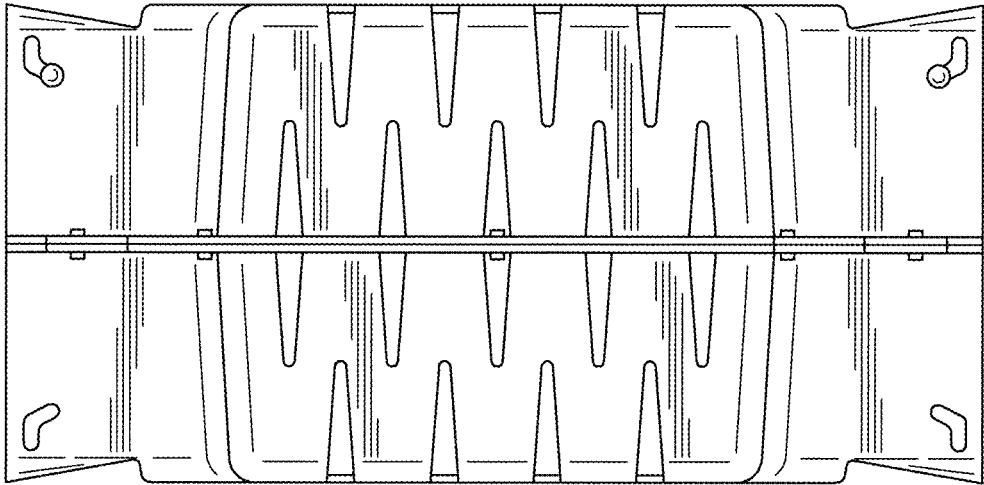


FIG. 6

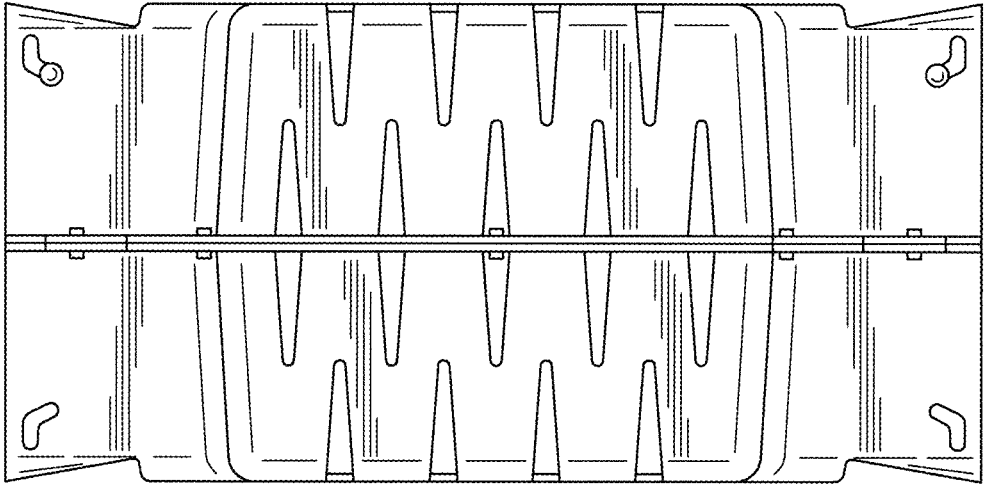


FIG. 7

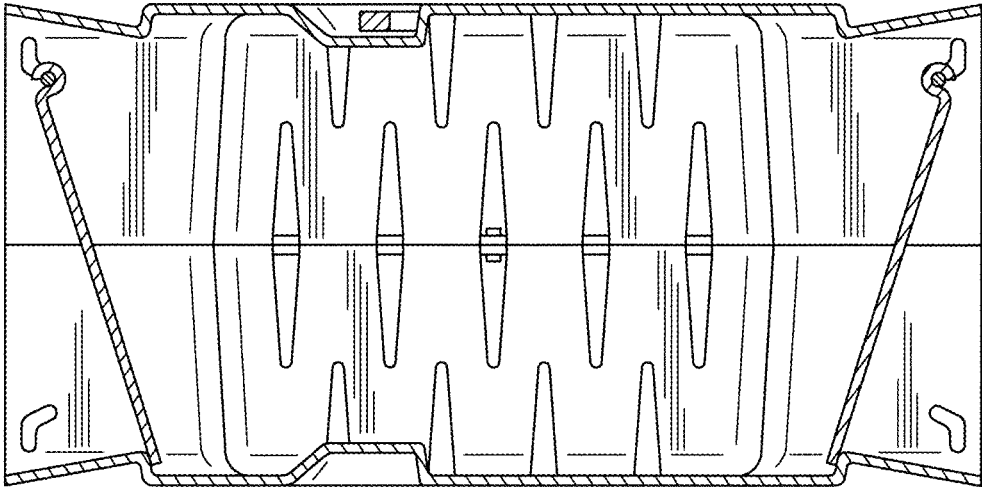


FIG. 8

