

(19) World Intellectual Property Organization
International Bureau



(43) International Publication Date
3 July 2003 (03.07.2003)

PCT

(10) International Publication Number
WO 03/053271 A3

(51) International Patent Classification⁷: F16K 15/18

(21) International Application Number: PCT/IB02/05252

(22) International Filing Date: 9 December 2002 (09.12.2002)

(25) Filing Language: English

(26) Publication Language: English

(30) Priority Data:
10/029,348 20 December 2001 (20.12.2001) US

GM, HR, HU, ID, IL, IN, IS, JP, KE, KG, KP, KR, KZ, LC, LK, LR, LS, LT, LU, LV, MA, MD, MG, MK, MN, MW, MX, MZ, NO, NZ, OM, PH, PL, PT, RO, RU, SC, SD, SE, SG, SK, SL, TJ, TM, TN, TR, TT, TZ, UA, UG, UZ, VC, VN, YU, ZA, ZM, ZW.

(84) Designated States (regional): ARIPO patent (GH, GM, KE, LS, MW, MZ, SD, SL, SZ, TZ, UG, ZM, ZW), Eurasian patent (AM, AZ, BY, KG, KZ, MD, RU, TJ, TM), European patent (AT, BE, BG, CH, CY, CZ, DE, DK, EE, ES, FI, FR, GB, GR, IE, IT, LU, MC, NL, PT, SE, SI, SK, TR), OAPI patent (BF, BJ, CF, CG, CI, CM, GA, GN, GQ, GW, ML, MR, NE, SN, TD, TG).

(71) Applicant: KONINKLIJKE PHILIPS ELECTRONICS N.V. [NL/NL]; Groenewoudseweg 1, NL-5621 BA Eindhoven (NL).

Declaration under Rule 4.17:

— as to the applicant's entitlement to claim the priority of the earlier application (Rule 4.17(iii)) for the following designation CN

(72) Inventor: TAYLOR, Richard, K.; Prof. Holstlaan 6, NL-5656 AA Eindhoven (NL).

Published:

— with international search report

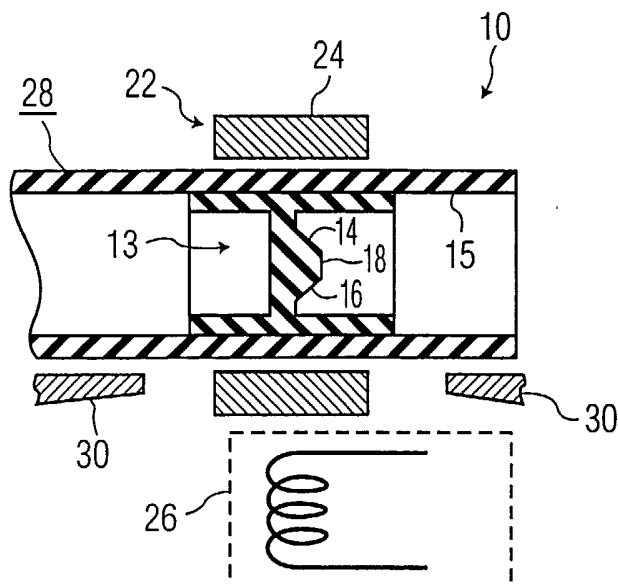
(74) Agent: SCHOUTEN, Marcus, M.; Internationaal Oecrooibureau B.V., Prof. Holstlaan 6, NL-5656 AA Eindhoven (NL).

(88) Date of publication of the international search report:
9 October 2003

(81) Designated States (national): AE, AG, AL, AM, AT, AU, AZ, BA, BB, BG, BR, BY, BZ, CA, CH, CN, CO, CR, CU, CZ, DE, DK, DM, DZ, EC, EE, ES, FI, GB, GD, GE, GH,

For two-letter codes and other abbreviations, refer to the "Guidance Notes on Codes and Abbreviations" appearing at the beginning of each regular issue of the PCT Gazette.

(54) Title: CONTROL VALVE



(57) Abstract: The valve comprises a flexible resilient valve member which is positioned in a flexible fluid line in a fluid-tight relationship therewith. An actuating element, such as a ring-shaped member, surrounds the valve member, and an actuating coil is positioned adjacent the ring member. An electrical control signal energizes the coil in operation, producing a magnetic field which moves the actuating element to deform the valve member, opening the valve. Termination of the electrical signal permits the valve member to return to its normal closed position arrangement. A feedback control system is provided for the valve which includes providing pre-established limits on time and volume of fluid delivery. Determinations are successively made as to whether such limitations have been met, and the control valve is closed when one such limitation has been met.

WO 03/053271 A3

INTERNATIONAL SEARCH REPORT

International Application No

PCT/IB 02/05252

A. CLASSIFICATION OF SUBJECT MATTER
IPC 7 F16K15/18

According to International Patent Classification (IPC) or to both national classification and IPC

B. FIELDS SEARCHED

Minimum documentation searched (classification system followed by classification symbols)
IPC 7 F16K

Documentation searched other than minimum documentation to the extent that such documents are included in the fields searched

Electronic data base consulted during the international search (name of data base and, where practical, search terms used)

C. DOCUMENTS CONSIDERED TO BE RELEVANT

Category *	Citation of document, with indication, where appropriate, of the relevant passages	Relevant to claim No.
X	US 4 730 635 A (LINDEN HARRY A) 15 March 1988 (1988-03-15) abstract; figures 1-8 ---	1,6,11
X	US 4 038 983 A (MITTLEMAN HERBERT ET AL) 2 August 1977 (1977-08-02) abstract; figures 1-11 column 1, line 28 - line 33 ---	1-3,5,6, 11
X	GB 2 233 070 A (SMITHS INDUSTRIES PLC) 2 January 1991 (1991-01-02) abstract; figures 1-4 ---	1-3,6
X	US 3 965 925 A (GOOCH JOHN HENRY) 29 June 1976 (1976-06-29) abstract; figures 1-11 ---	1-3,5-7, 9
	-/--	

Further documents are listed in the continuation of box C.

Patent family members are listed in annex.

* Special categories of cited documents :

"A" document defining the general state of the art which is not considered to be of particular relevance
"E" earlier document but published on or after the international filing date
"L" document which may throw doubts on priority claim(s) or which is cited to establish the publication date of another citation or other special reason (as specified)
"O" document referring to an oral disclosure, use, exhibition or other means
"P" document published prior to the international filing date but later than the priority date claimed

"T" later document published after the international filing date or priority date and not in conflict with the application but cited to understand the principle or theory underlying the invention
"X" document of particular relevance; the claimed invention cannot be considered novel or cannot be considered to involve an inventive step when the document is taken alone
"Y" document of particular relevance; the claimed invention cannot be considered to involve an inventive step when the document is combined with one or more other such documents, such combination being obvious to a person skilled in the art.
"&" document member of the same patent family

Date of the actual completion of the international search

14 March 2003

Date of mailing of the international search report

23.05.03

Name and mailing address of the ISA

European Patent Office, P.B. 5818 Patentlaan 2
NL - 2280 HV Rijswijk
Tel. (+31-70) 340-2040, Tx. 31 651 epo nl,
Fax: (+31-70) 340-3016

Authorized officer

Bilo, E

INTERNATIONAL SEARCH REPORT

national Application No
 PCT/IB 02/05252

C.(Continuation) DOCUMENTS CONSIDERED TO BE RELEVANT		
Category °	Citation of document, with indication, where appropriate, of the relevant passages	Relevant to claim No.
X	US 4 807 780 A (SEFTON THOMAS ET AL) 28 February 1989 (1989-02-28) figures 3-5 column 3, line 65 -column 4, line 11 -----	1-4,10

INTERNATIONAL SEARCH REPORT

International application No.
PCT/IB 02/05252

Box I Observations where certain claims were found unsearchable (Continuation of item 1 of first sheet)

This International Search Report has not been established in respect of certain claims under Article 17(2)(a) for the following reasons:

1. Claims Nos.:
because they relate to subject matter not required to be searched by this Authority, namely:

2. Claims Nos.:
because they relate to parts of the International Application that do not comply with the prescribed requirements to such an extent that no meaningful International Search can be carried out, specifically:

3. Claims Nos.:
because they are dependent claims and are not drafted in accordance with the second and third sentences of Rule 6.4(a).

Box II Observations where unity of invention is lacking (Continuation of item 2 of first sheet)

This International Searching Authority found multiple inventions in this international application, as follows:

1. As all required additional search fees were timely paid by the applicant, this International Search Report covers all searchable claims.

2. As all searchable claims could be searched without effort justifying an additional fee, this Authority did not invite payment of any additional fee.

3. As only some of the required additional search fees were timely paid by the applicant, this International Search Report covers only those claims for which fees were paid, specifically claims Nos.:

4. No required additional search fees were timely paid by the applicant. Consequently, this International Search Report is restricted to the invention first mentioned in the claims; it is covered by claims Nos.:

1-11

Remark on Protest

- The additional search fees were accompanied by the applicant's protest.
- No protest accompanied the payment of additional search fees.

INTERNATIONAL SEARCH REPORT

International Application No
PCT/IB 02/05252

Patent document cited in search report	Publication date	Patent family member(s)	Publication date
US 4730635 A	15-03-1988	NONE	
US 4038983 A	02-08-1977	AU 504698 B	25-10-1979
		AU 1802776 A	06-04-1978
		BE 846958 A	31-01-1977
		BR 7608229 A	29-11-1977
		CA 1066156 A	13-11-1979
		CH 614629 A	14-12-1979
		DE 2652197 A	28-07-1977
		DK 574276 A	27-07-1977
		ES 452522 A	01-11-1977
		FI 763656 A	27-07-1977
		FR 2338710 A	19-08-1977
		GB 1498398 A	18-01-1978
		IL 50513 A	12-03-1979
		IT 1064372 B	18-02-1985
		JP 52093194 A	05-08-1977
		MX 144466 A	19-10-1981
		NL 7611873 A	28-07-1977
		NO 764307 A,B,	27-07-1977
		SE 428174 B	13-06-1983
		SE 7614297 A	27-07-1977
		SU 713539 A	30-01-1980
		ZA 7605698 A	31-08-1977
GB 2233070 A	02-01-1991	NONE	
US 3965925 A	29-06-1976	GB 1490349 A	02-11-1977
		DE 2511844 A	25-09-1975
		FR 2265021 A	17-10-1975
		JP 50133522 A	22-10-1975
US 4807780 A	28-02-1989	GB 2189230 A	21-10-1987
		AT 69112 T	15-11-1991
		DE 3774212 D	05-12-1991
		EP 0257751 A	02-03-1988
		ES 2026541 T	01-05-1992
		GB 2194313 A,B	02-03-1988