



US00D349799S

# United States Patent [19]

[11] Patent Number: **Des. 349,799**

Caldwell et al.

[45] Date of Patent: **\*\* Aug. 16, 1994**

[54] **BEACH CADDY**

[76] Inventors: **Donald A. Caldwell**, 1145 Patricia Dr., Allentown, Pa. 18103; **Rick J. Heller**, 458 Edgemont Ave., Palmerton, Pa. 18071; **Robert A. Boehret**, 1968 Latta St., Allentown, Pa. 18104

[\*\*] Term: **14 Years**

[21] Appl. No.: **3,126**

[22] Filed: **Dec. 29, 1992**

[52] U.S. Cl. .... **D34/26; D34/24**

[58] Field of Search ..... 280/47.26, 654, 610, 280/47.19, 47.18, 40; D34/12, 24, 25, 26

[56] **References Cited**

### U.S. PATENT DOCUMENTS

2,992,011 7/1961 Becan ..... 280/47.26  
4,355,818 10/1982 Watts ..... 280/47.26

4,618,157 10/1986 Resnick ..... 280/8  
4,659,142 4/1987 Kuchinsky, Jr. .... 297/118  
4,863,075 9/1989 Romer ..... 222/610  
4,865,346 9/1989 Carlile ..... 280/654  
4,887,837 12/1989 Bonewicz ..... 280/654  
5,203,815 4/1993 Miller ..... 280/654

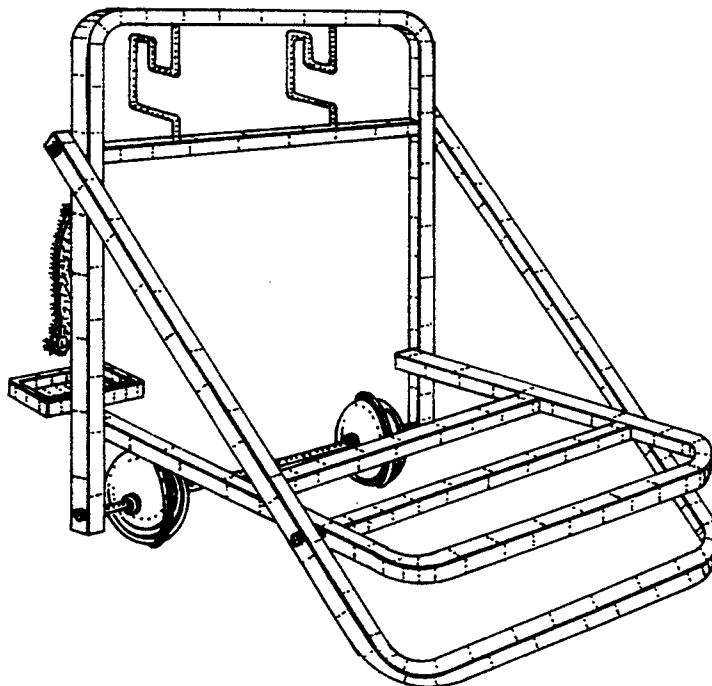
*Primary Examiner*—**Kay H. Chin**

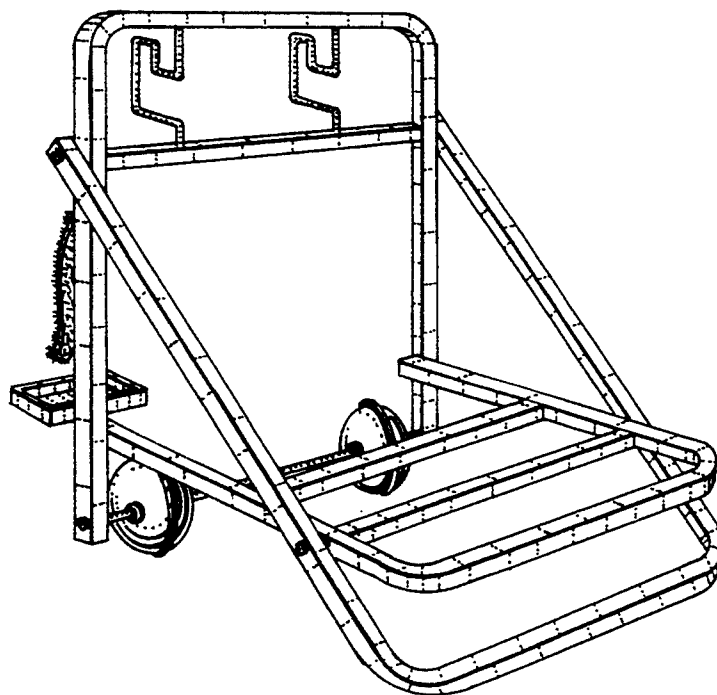
### [57] CLAIM

The ornamental design for a beach caddy, as shown and described.

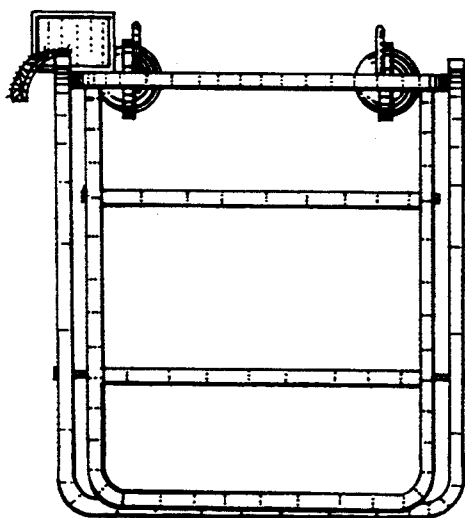
### DESCRIPTION

FIG. 1 is a perspective view of a beach caddy, showing my new design;  
FIG. 2 is a top plan view thereof;  
FIG. 3 is a front plan view thereof;  
FIG. 4 is a right side elevational view thereof;  
FIG. 5 is a left side elevational view thereof;  
FIG. 6 is a back elevational view thereof; and,  
FIG. 7 is a bottom elevational view thereof.

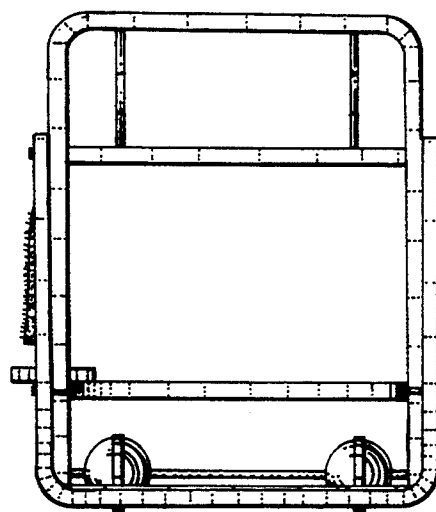




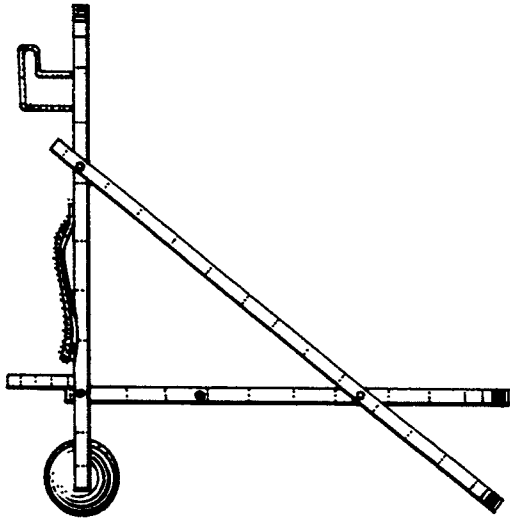
*FIG. 1.*



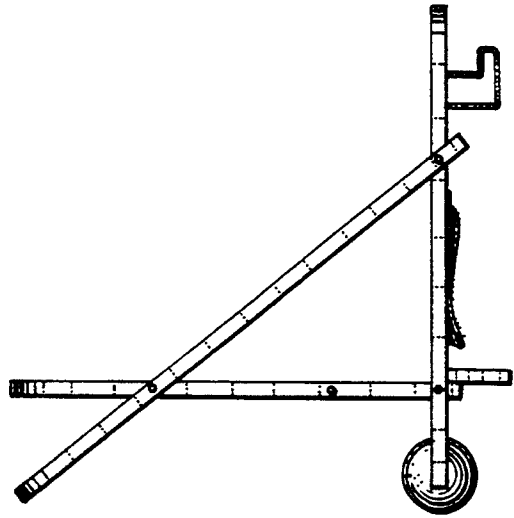
*FIG. 2.*



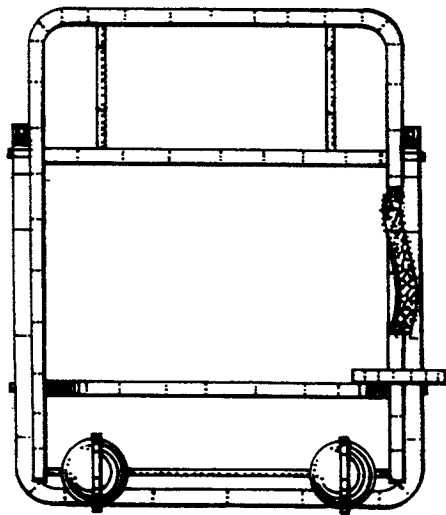
*FIG. 3.*



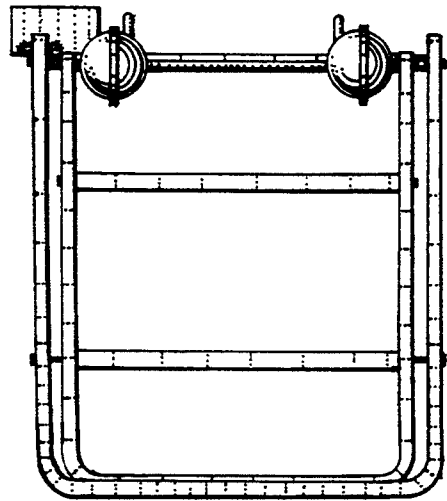
*Fig. 4.*



*Fig. 5.*



*Fig. 6.*



*Fig. 7.*