



(12) **United States Design Patent**
Kidesaki et al.

(10) **Patent No.:** **US D1,005,220 S**
(45) **Date of Patent:** **** Nov. 21, 2023**

(54) **AUTOMOBILE TIRE**

OTHER PUBLICATIONS

- (71) Applicant: **THE YOKOHAMA RUBBER CO., LTD.**, Tokyo (JP)
- (72) Inventors: **Takashi Kidesaki**, Hiratsuka (JP);
Yoshifumi Koishikawa, Hiratsuka (JP);
Makoto Ishii, Tokyo (JP)
- (73) Assignee: **THE YOKOHAMA RUBBER CO., LTD.**, Hiratsuka (JP)
- (**) Term: **15 Years**

“Nexen N’Priz AH5 All-Season Radial Tire—225/65R17 102T”
amazon.com, post Published Oct. 15, 2016. Retrieved Feb. 1, 2023.
Available online at URL:https://www.amazon.com/Nexen-NPriz-
All-Season-Radial-Tire-225/dp/B01MCU0ZYN/ref=sxin_25_ac_
d_mf_brs?ac_md=7-4-TkVYRU4%3D-ac_d_mf(Year: 2016).*

(Continued)

Primary Examiner — Christian P. McLean
Assistant Examiner — Jessica Lynn Devilbiss
(74) *Attorney, Agent, or Firm* — Banner & Witcoff, Ltd.

(21) Appl. No.: **29/781,745**

(57) **CLAIM**

(22) Filed: **Apr. 30, 2021**

The ornamental design for an automobile tire, as shown and described.

(30) **Foreign Application Priority Data**

Oct. 30, 2020 (JP) 2020-023546 D

(51) **LOC (14) Cl.** **12-15**

(52) **U.S. Cl.**

USPC **D12/501**; D12/549; D12/533

(58) **Field of Classification Search**

USPC D12/501, 500, 502, 505, 506, 507, 508,
D12/510, 513, 522, 533, 535, 536, 539,
D12/545, 549, 563, 566, 605; D21/432,
D21/424, 563

CPC B60C 11/0302; B60C 11/00
See application file for complete search history.

DESCRIPTION

FIG. 1 is a perspective view of an automobile tire showing our design;
FIG. 2 is a front view thereof;
FIG. 3 is a rear view thereof;
FIG. 4 is a right side view thereof;
FIG. 5 is a left side view thereof;
FIG. 6 is a top view thereof;
FIG. 7 is a bottom view thereof;
FIG. 8 is a partially enlarged view of a portion defined by lines 8-8 shown in FIG. 1;
FIG. 9 is a partially enlarged view of a portion defined by lines 9-9 shown in FIG. 2; and,
FIG. 10 is a cross sectional view of a portion defined by lines 10-10 shown in FIG. 9.
In the drawings, the broken lines depict environmental subject matter only and form no part of the claimed design. The dot and dashed lines represents a boundary between the claimed portion and the non-claimed portion.

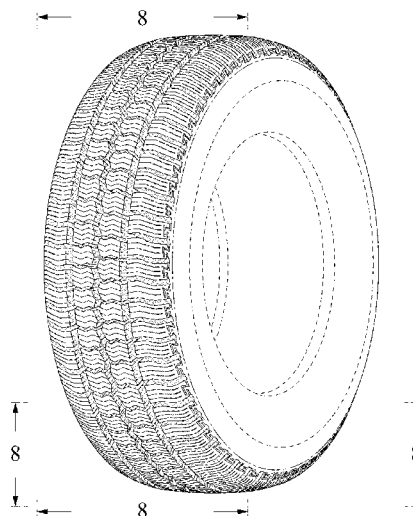
(56) **References Cited**

U.S. PATENT DOCUMENTS

- D426,179 S * 6/2000 Fierro D12/596
- D444,428 S * 7/2001 Hutz B60C 11/1315
D12/522
- D480,045 S * 9/2003 Durand D12/601
- D517,468 S * 3/2006 Le D12/566
- D626,501 S * 11/2010 Cazin-Bourguignon D12/901
- D791,681 S * 7/2017 Zhang D12/501
- D860,928 S * 9/2019 Dixon D12/602

(Continued)

1 Claim, 10 Drawing Sheets



(56)

References Cited

U.S. PATENT DOCUMENTS

D863,210 S * 10/2019 Dixon D12/583
D875,660 S * 2/2020 Thieman D12/602

OTHER PUBLICATIONS

“4 New 245/75R16 Ironman Radial AP Truck SUV All Season Tires” ebay.com, post Published: Unavailable. Retrieved Feb. 1, 2023. Available online at URL:[https://www.ebay.com/itm/225057359097?fits=Section+Width%3A245%7CRim+Diameter%3A16%7CAspect+Ratio%3A75&epid=19056269936&hash\(Year:2023\).*](https://www.ebay.com/itm/225057359097?fits=Section+Width%3A245%7CRim+Diameter%3A16%7CAspect+Ratio%3A75&epid=19056269936&hash(Year:2023).*)

* cited by examiner

FIG. 1

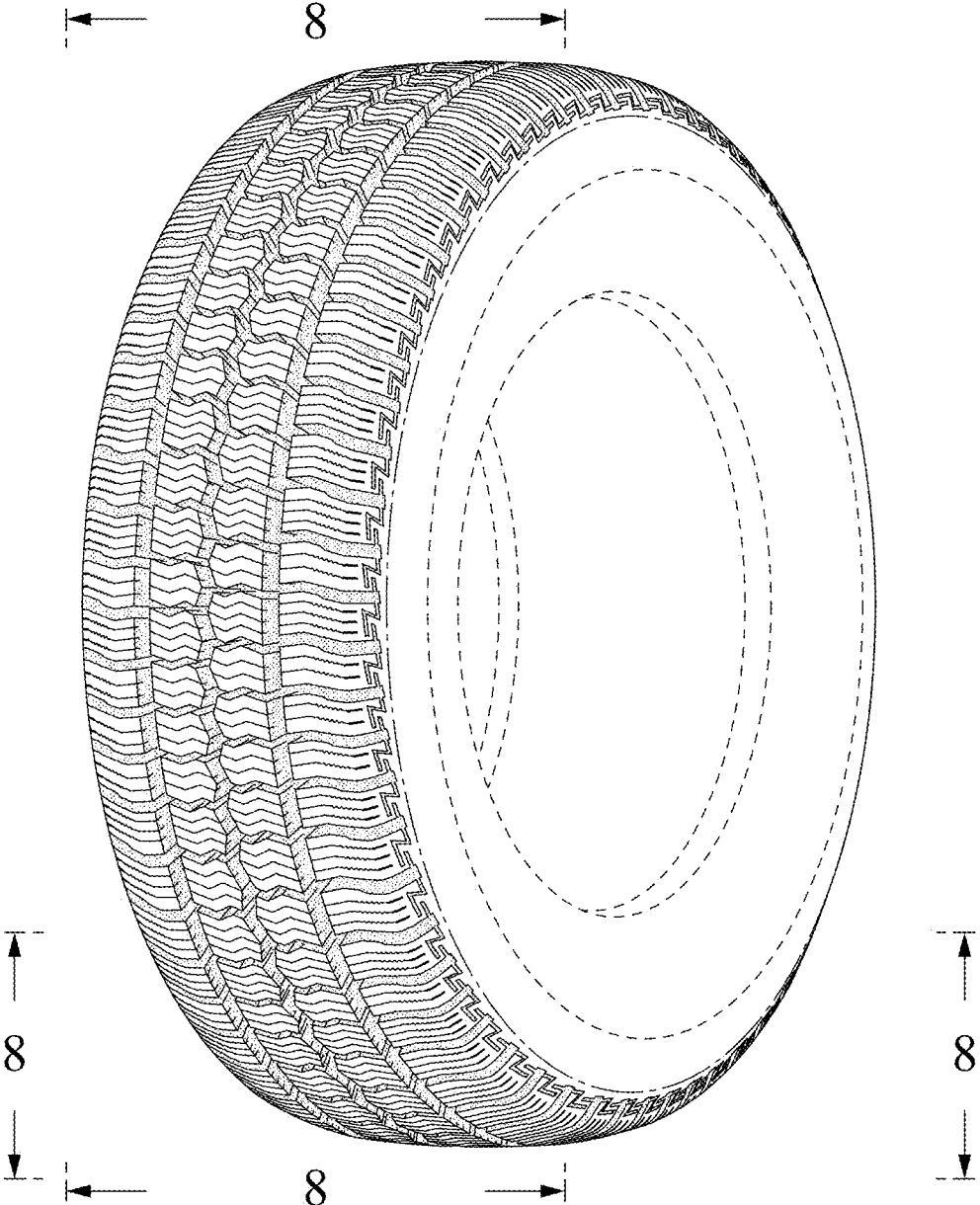


FIG. 2

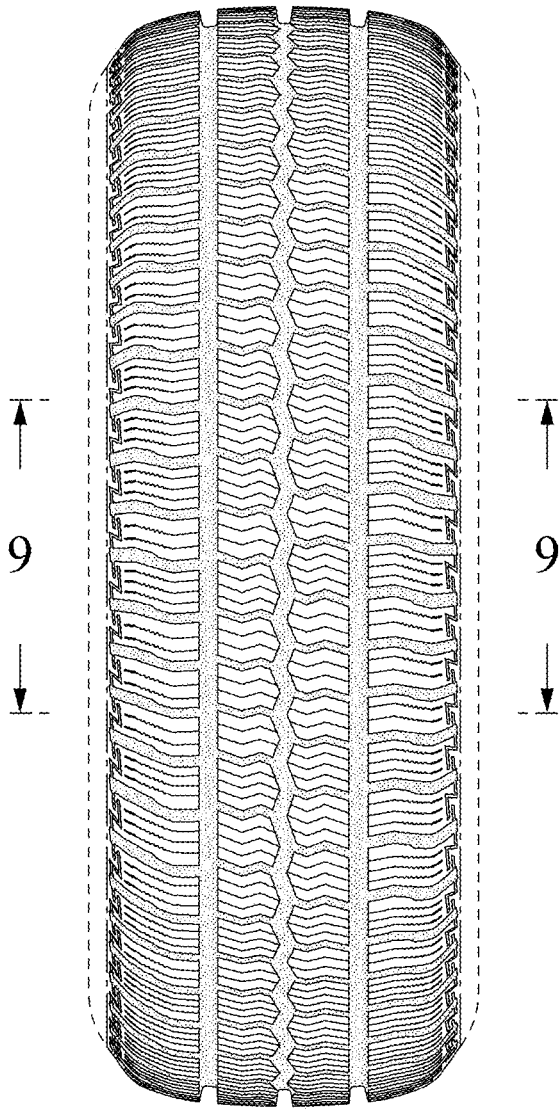


FIG. 3

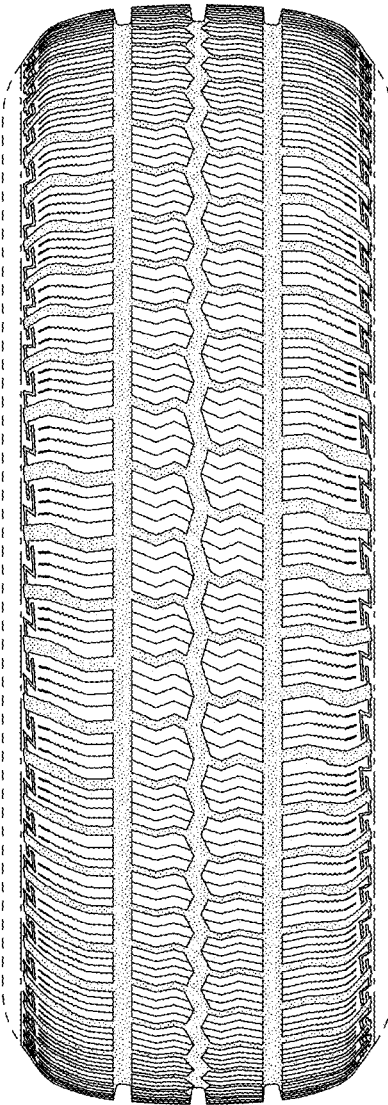


FIG. 4

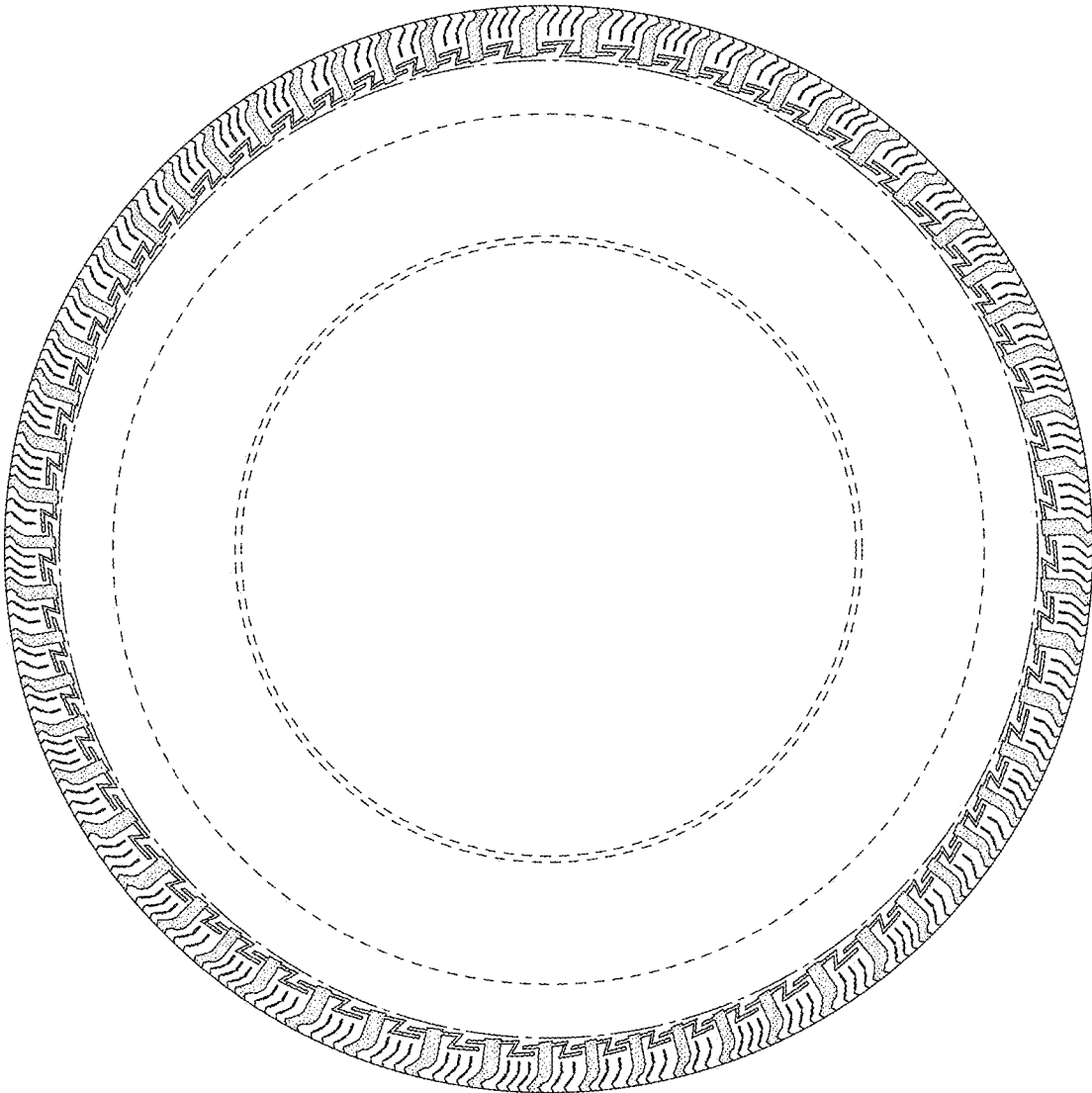


FIG. 5

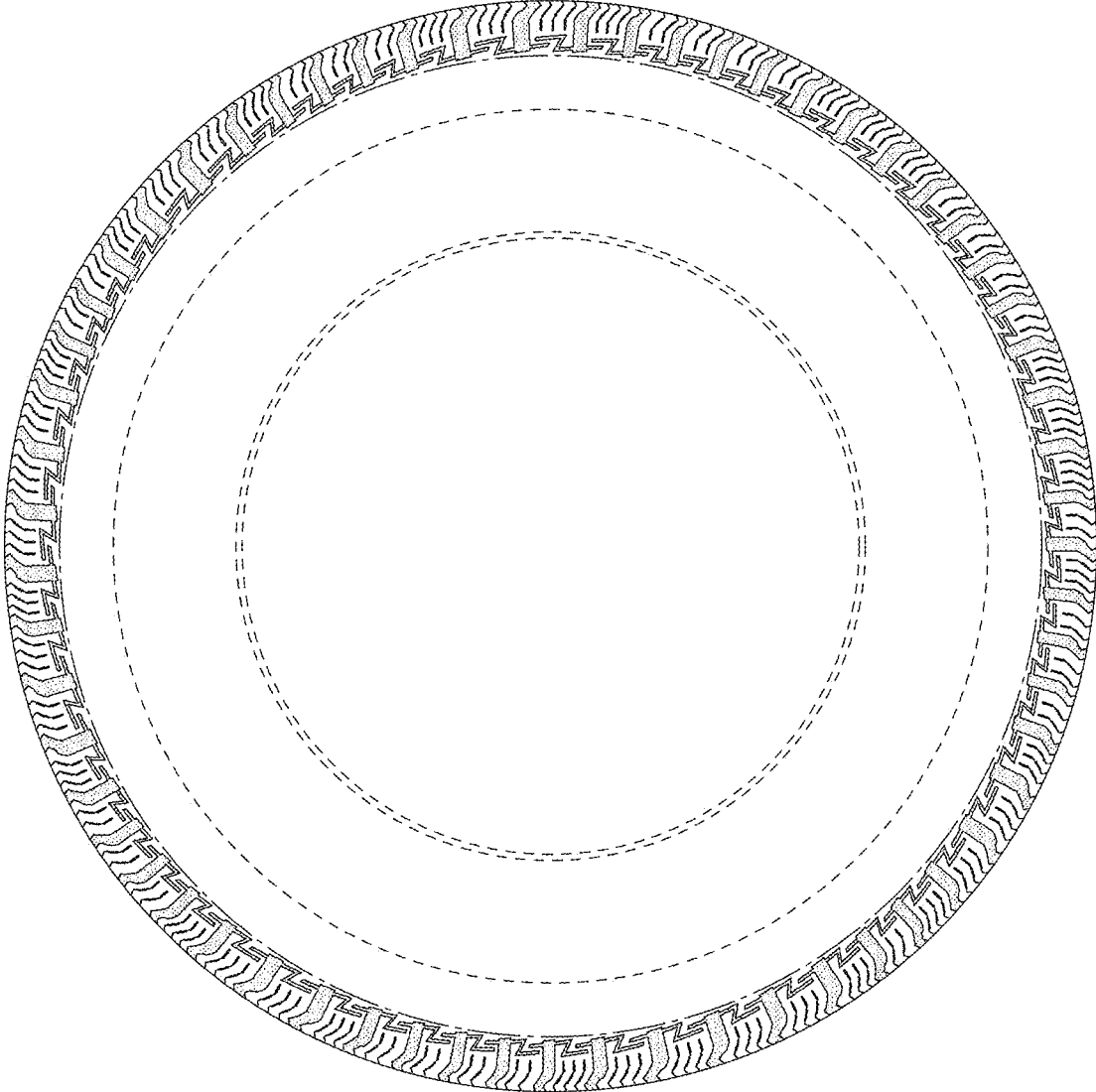


FIG. 6

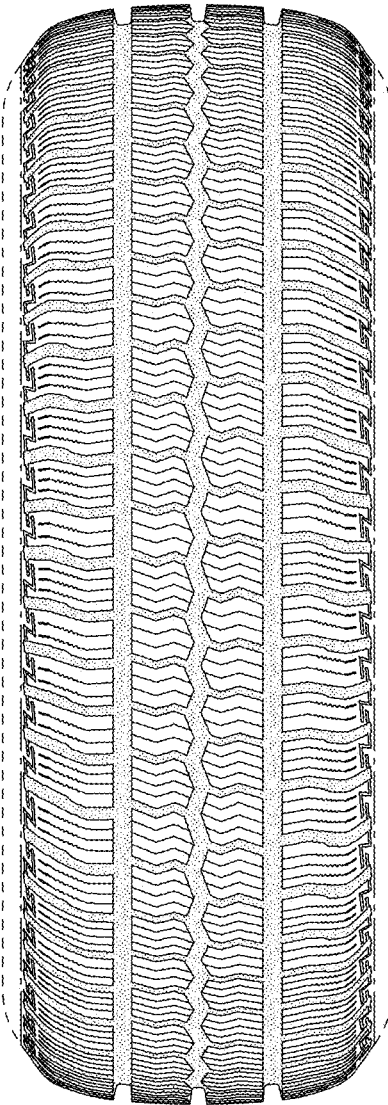


FIG. 7

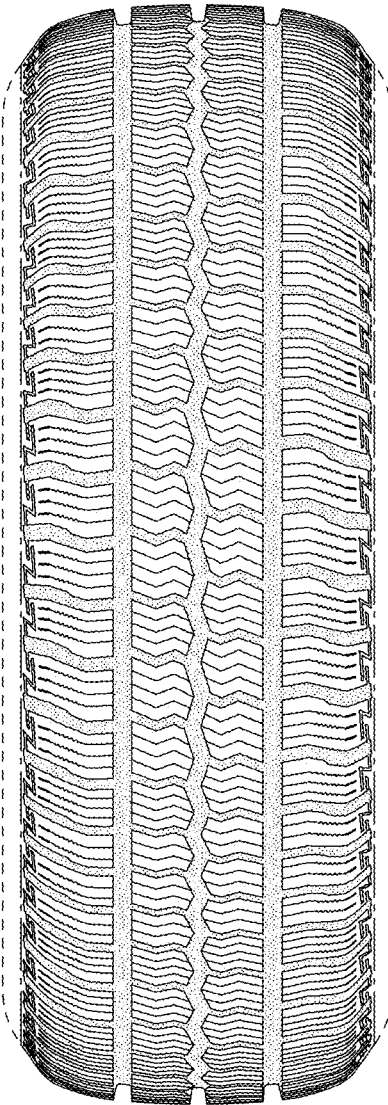


FIG. 8

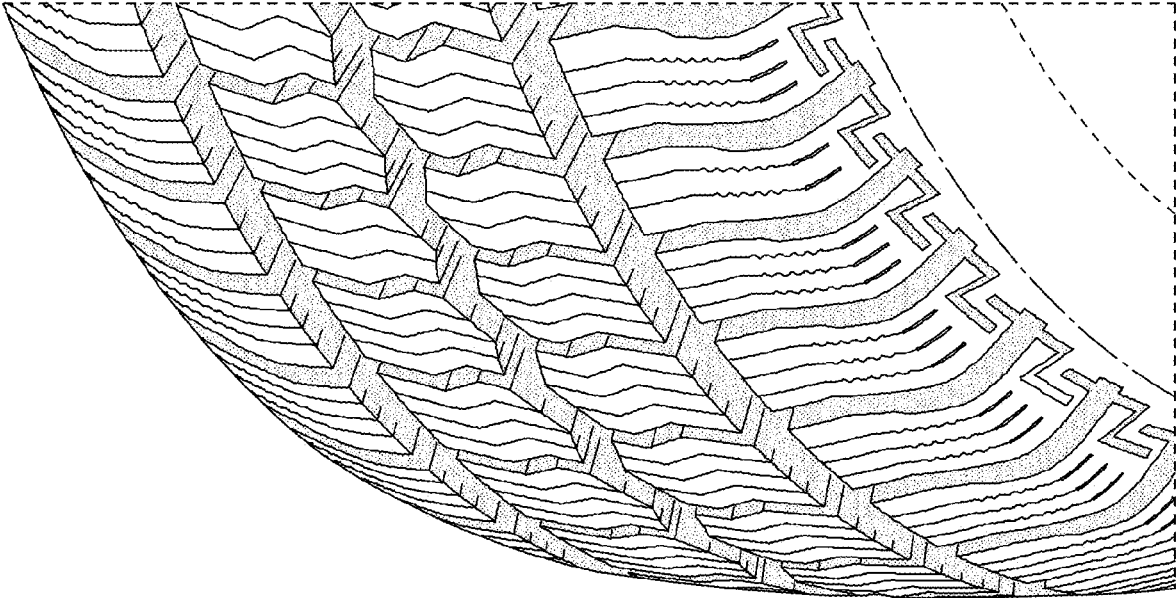


FIG. 9

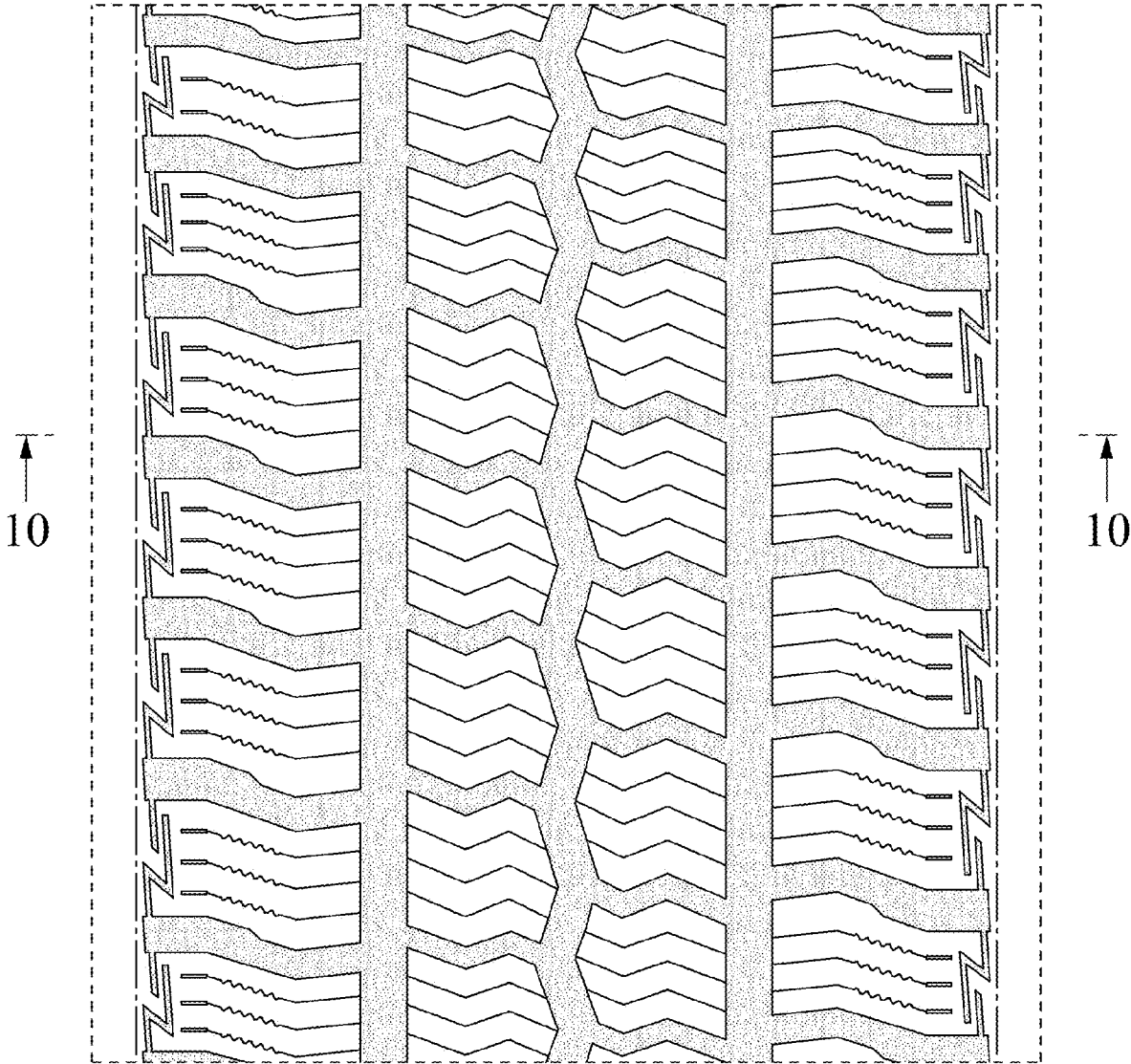


FIG. 10

