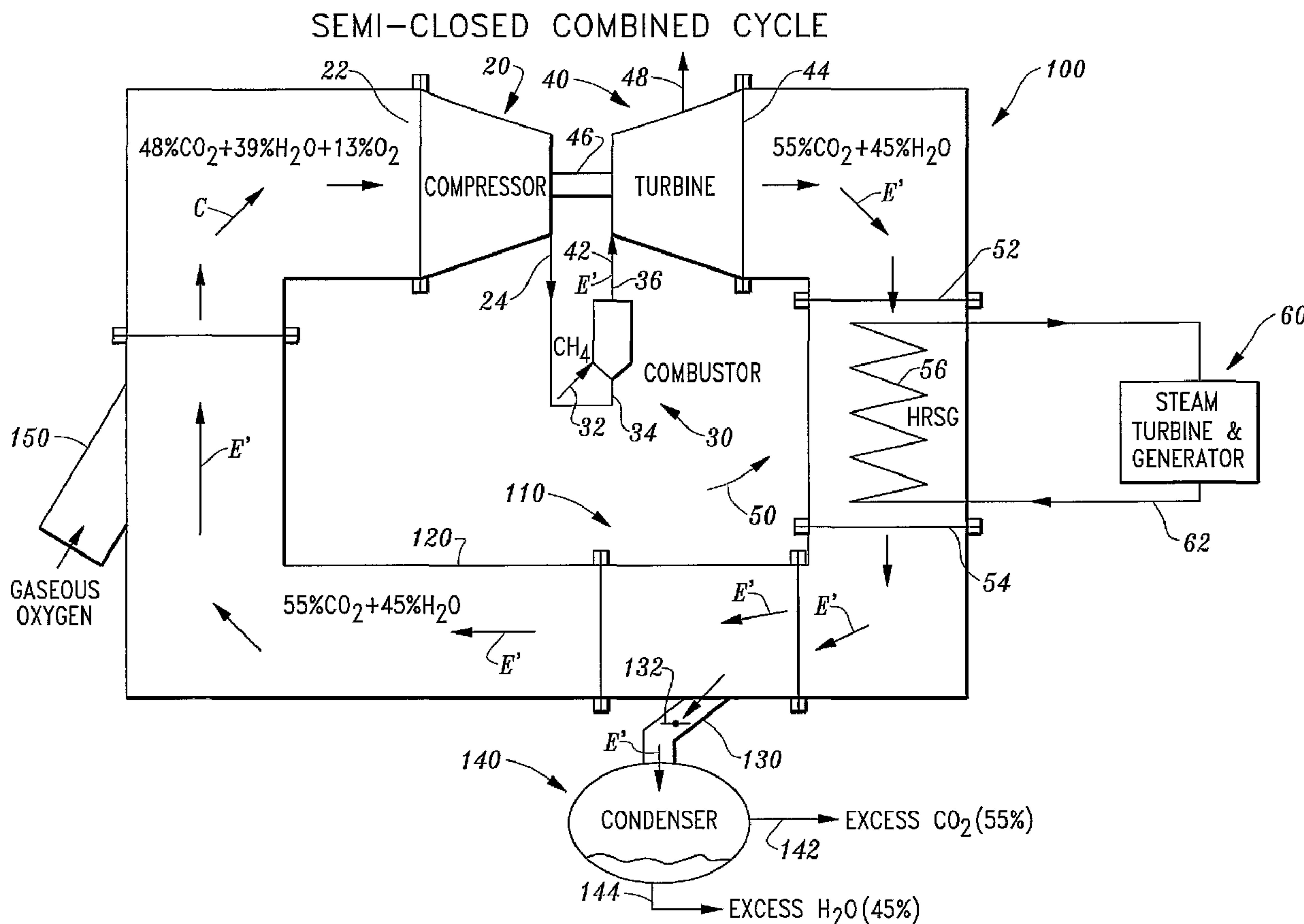




(86) Date de dépôt PCT/PCT Filing Date: 2001/05/14  
 (87) Date publication PCT/PCT Publication Date: 2001/11/29  
 (45) Date de délivrance/Issue Date: 2010/02/09  
 (85) Entrée phase nationale/National Entry: 2002/11/07  
 (86) N° demande PCT/PCT Application No.: US 2001/015577  
 (87) N° publication PCT/PCT Publication No.: 2001/090548  
 (30) Priorités/Priorities: 2000/05/12 (US60/203,726);  
 2000/05/26 (US60/207,530)

(51) Cl.Int./Int.Cl. *F02C 6/18* (2006.01),  
*F01K 21/04* (2006.01), *F01K 23/10* (2006.01),  
*F02C 1/00* (2006.01), *F02C 1/08* (2006.01),  
*F02C 3/20* (2006.01), *F02C 3/34* (2006.01)  
 (72) Inventeurs/Inventors:  
 ANDERSON, ROGER E., US;  
 VITERI, FERMIN, US  
 (73) Propriétaire/Owner:  
 CLEAN ENERGY SYSTEMS, INC., US  
 (74) Agent: BLAKE, CASSELS & GRAYDON LLP

(54) Titre : SYSTEMES DE GENERATION D'ENERGIE PAR TURBINE A GAZ A CYCLE DE BRAYTON SEMI-FERME  
 (54) Title: SEMI-CLOSED BRAYTON CYCLE GAS TURBINE POWER SYSTEMS



(57) Abrégé/Abstract:

A semi-closed combined cycle system (100) is provided which converts an open cycle gas turbine (10) into a non-polluting power system. The prior art gas turbine (10) includes a compressor (20) which compresses air (A) and combusts the air (A) with fuel.

(57) **Abrégé(suite)/Abstract(continued):**

Combustion products form the exhaust (E') which is expanded through the turbine (40). The turbine (40) drives the compressor (20) and outputs power. The exhaust (E') exits the turbine (40) and can be routed through a heat recovery steam generator (50). The exhaust (E') is routed to a divider (110) which has two outlets including a return duct (120) and a separation duct (130). The return duct (120) routes a portion of exhaust (E') back to the compressor (20), and a duct (150) adds oxygen to the exhaust (E').

## (12) INTERNATIONAL APPLICATION PUBLISHED UNDER THE PATENT COOPERATION TREATY (PCT)

(19) World Intellectual Property Organization  
International Bureau(43) International Publication Date  
29 November 2001 (29.11.2001)

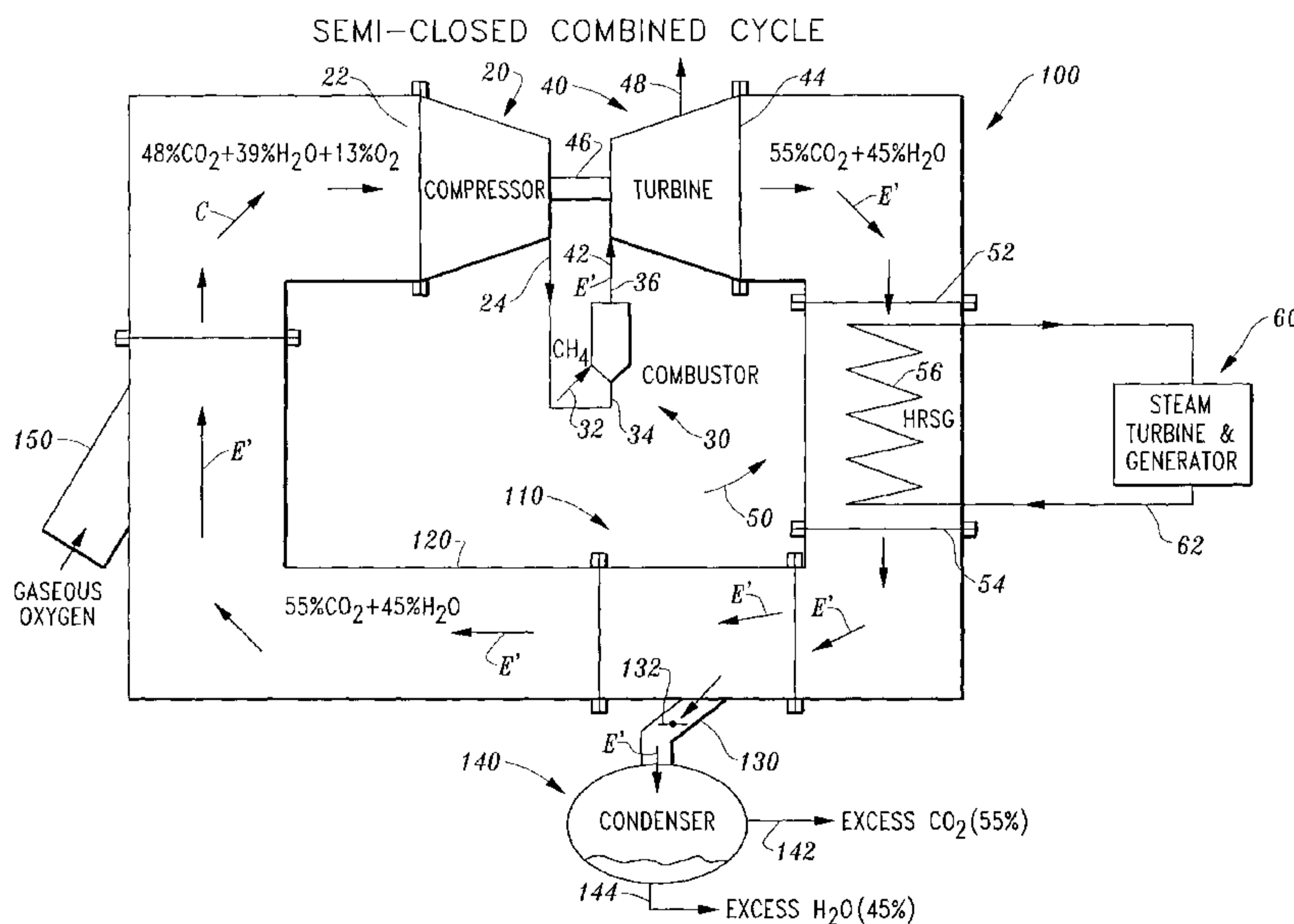
PCT

(10) International Publication Number  
**WO 01/90548 A1**

- (51) International Patent Classification<sup>7</sup>: **F02C 6/18**
- (21) International Application Number: PCT/US01/15577
- (22) International Filing Date: 14 May 2001 (14.05.2001)
- (25) Filing Language: English
- (26) Publication Language: English
- (30) Priority Data:  
60/203,726 12 May 2000 (12.05.2000) US  
60/207,530 26 May 2000 (26.05.2000) US
- (71) Applicant (for all designated States except US): **CLEAN ENERGY SYSTEMS, INC.** [US/US]; 1812 Silica Avenue, Sacramento, CA 95815 (US).
- (72) Inventors; and
- (75) Inventors/Applicants (for US only): **ANDERSON, Roger, E.** [US/US]; 11821 Point Rock Way, Gold River, CA 95670 (US). **VITERI, Fermin** [US/US]; 3058 Kadema Drive, Sacramento, CA 95864 (US).
- (74) Agent: **HEISLER, Bradley, P.**; Heisler & Associates, Suite 300, 3017 Douglas Blvd., Roseville, CA 95661 (US).
- (81) Designated States (national): AE, AG, AL, AM, AT, AU, AZ, BA, BB, BG, BR, BY, BZ, CA, CH, CN, CO, CR, CU, CZ, DE, DK, DM, DZ, EC, EE, ES, FI, GB, GD, GE, GH, GM, HR, HU, ID, IL, IN, IS, JP, KE, KG, KP, KR, KZ, LC, LK, LR, LS, LT, LU, LV, MA, MD, MG, MK, MN, MW, MX, MZ, NO, NZ, PL, PT, RO, RU, SD, SE, SG, SI, SK, SL, TJ, TM, TR, TT, TZ, UA, UG, US, UZ, VN, YU, ZA, ZW.
- (84) Designated States (regional): ARIPO patent (GH, GM, KE, LS, MW, MZ, SD, SL, SZ, TZ, UG, ZW), Eurasian patent (AM, AZ, BY, KG, KZ, MD, RU, TJ, TM), European patent (AT, BE, CH, CY, DE, DK, ES, FI, FR, GB, GR, IE, IT, LU, MC, NL, PT, SE, TR), OAPI patent (BF, BJ, CF, CG, CI, CM, GA, GN, GW, ML, MR, NE, SN, TD, TG).
- Published:**  
— with international search report  
— before the expiration of the time limit for amending the claims and to be republished in the event of receipt of amendments

[Continued on next page]

(54) Title: SEMI-CLOSED BRAYTON CYCLE GAS TURBINE POWER SYSTEMS



(57) **Abstract:** A semi-closed combined cycle system (100) is provided which converts an open cycle gas turbine (10) into a non-polluting power system. The prior art gas turbine (10) includes a compressor (20) which compresses air (A') and combusts the air (A') with fuel. Combustion products form the exhaust (E') which is expanded through the turbine (40). The turbine (40) drives the compressor (20) and outputs power. The exhaust (E') exits the turbine (40) and can be routed through a heat recovery steam generator (50). The exhaust (E') is routed to a divider (110) which has two outlets including a return duct (120) and a separation duct (130). The return duct (120) routes a portion of exhaust (E') back to the compressor (20), and a duct (150) adds oxygen to the exhaust (E').



WO 01/90548 A1

## SEMI-CLOSED BRAYTON CYCLE GAS TURBINE POWER SYSTEMS

5

### **Technical Field**

10 The following invention relates to Brayton cycle power generation systems which include a gaseous working fluid which is compressed, heated and expanded to generate power. More particularly, this invention relates to a semi-closed Brayton cycle power system which includes a gas turbine operating on a working fluid which is partially recirculated, the system eliminating emission of pollutants and emitting carbon dioxide in an easily separated and recoverable form.

15

### **Background Art**

20 Gas turbine power systems have become popular systems for meeting modern society's power needs. Not only do gas turbines provide thrust for most large aircraft, but they also have been adapted for use in generation of electricity in stationary power plants.

25 Gas turbines operate on the Brayton cycle and have a working fluid, typically air, which remains gaseous throughout the cycle. While the Brayton cycle can theoretically be closed so that the working fluid recirculates, the vast majority of operational gas turbine power plants operate as an open Brayton cycle. In the open Brayton cycle commonly found in commercial stationary power plants, air is drawn into a compressor where its pressure and temperature increase. The temperature of the air is then further increased by combusting a fuel, most often natural gas, in the air to produce a working fluid including air (minus the oxygen which reacts with the fuel) and the products of combustion of the oxygen and the fuel (typically carbon dioxide and steam). This high temperature high pressure working fluid is fed into a turbine where the working fluid is expanded and its temperature and pressure decreased. The turbine drives the compressor and typically additionally drives a generator for the generation of electric power. The working fluid is exhausted from the turbine in a simple open Brayton cycle.

35 Most operational stationary gas turbine power systems include a simple open Brayton cycle only as one part of a combined cycle. Specifically, because the working fluid still has a relatively high temperature when exiting the turbine, this heat can be used, such as to generate steam in a heat recovery steam generator before finally being exhausted. The steam heated within the heat recovery steam generator can then be utilized to drive a steam turbine, such as that found in any typical closed Rankine cycle steam power plant. When operated as a combined cycle, the open Brayton cycle gas turbine and closed Rankine steam turbine combine to most efficiently extract

1041.001

power from the fuel combusted within the gas turbine (in some systems over 50% thermal efficiency).

While significant advances in compressor and turbine designs have greatly increased the efficiency with which the gas turbine operates and have increased the temperature at which the gas turbine can operate, the gas turbine has certain drawbacks. One drawback of the open Brayton cycle gas turbine is that the exhaust includes oxides of nitrogen (NO<sub>x</sub>). NO<sub>x</sub> is a pollutant which can only be emitted in compliance with strict environmental regulations within the United States. Also, open Brayton cycle gas turbines emit carbon dioxide (CO<sub>2</sub>) into the atmosphere. While emission of CO<sub>2</sub> is not currently regulated by the United States government, mounting scientific evidence has connected the emission of CO<sub>2</sub> with global warming and other negative atmospheric effects. Numerous proposals are being evaluated for regulation of the emission of CO<sub>2</sub>. Accordingly, a need exists for a way to eliminate the emission of NO<sub>x</sub>, CO<sub>2</sub> and other pollutants from gas turbines.

Techniques do exist for reduction of the emission of NO<sub>x</sub> and the elimination of CO<sub>2</sub> from open Brayton cycle gas turbine exhaust. The exhaust can be scrubbed of a significant portion of the NO<sub>x</sub> by various different processes applied to the exhaust to either convert (i.e. using ammonia) or separate the NO<sub>x</sub> from the exhaust. Such "scrubbers" not only decrease the efficiency of the operation of the gas turbine, they are costly and also fail to remove all of the NO<sub>x</sub> from the exhaust.

Large quantities of CO<sub>2</sub> are produced within the open Brayton cycle gas turbine as one of the major products of combustion of the natural gas in air. This CO<sub>2</sub> is exhausted in gas form mixed with the large amount of nitrogen in the air which passes through the gas turbine. If removal of the CO<sub>2</sub> is desired, the CO<sub>2</sub> must first be separated from the nitrogen and other gaseous constituents of the working fluid (i.e. by chemical and/or physical absorption of the CO<sub>2</sub>, or endothermic stripping processes for separating CO<sub>2</sub> from the exhaust gases). The CO<sub>2</sub> can then be used in industrial processes or can be eliminated, such as by pressurization and sequestration in underground or deep sea locations. While such CO<sub>2</sub> sequestration is a known technique, significant energy is utilized in separating the CO<sub>2</sub> from the nitrogen, and hence the efficiency of the open Brayton cycle gas turbine is significantly decreased when CO<sub>2</sub> separation is required. Accordingly, a need exists for more efficient separation of the CO<sub>2</sub> from other portions of the working fluid so that the efficiency of the gas turbine is not radically diminished.

Closed Brayton cycle gas turbines have been developed for certain specific applications, such as for gas turbines which operate in nuclear power plants. In the closed Brayton cycle a working fluid is provided (typically Helium in nuclear power plants) which remains separate from the heat source and which is recirculated from the turbine exhaust back to the compressor without ever being exhausted. The compressor typically needs modification when the gas being compressed is changed. Because the working fluid is not exhausted, it is not a source of atmospheric pollution. The heat source which heats the working fluid can be nuclear, solar, geothermal or some other

1041.001

form of renewable non-polluting heat source so that atmospheric emissions are avoided.

However, if combustion of a hydrocarbon fuel with air is utilized to heat the working fluid between the compressor and the turbine, the closed Brayton cycle gas turbine will still have an exhaust which includes CO<sub>2</sub> and NO<sub>x</sub>. While renewable non-polluting heat sources such as nuclear, solar and geothermal are effective, they suffer from drawbacks which have limited their ability to be fully competitive with hydrocarbon fuel combustion powered gas turbine systems. Other closed Brayton cycle or partially closed Brayton cycle gas turbine power systems have been proposed which utilize a mixture of CO<sub>2</sub> and oxygen as the combustion medium. For instance, see United States Patent No. 5,724,805 to Golomb. While such CO<sub>2</sub> closed Brayton cycle gas turbine systems do keep nitrogen out of the combustor and so do not produce NO<sub>x</sub>, the high density of CO<sub>2</sub> makes it ill suited for use within a compressor which has been designed for compression of air. Accordingly, a need exists for a Brayton cycle gas turbine which heats the working fluid by combustion of a hydrocarbon fuel and which avoids emission of pollutants into the environment.

Another known technique for modifying prior art open Brayton cycle gas turbines is to inject steam into the combustor upstream of the turbine. When steam is injected into the combustor, the power output and the efficiency of the open Brayton cycle can be enhanced. Various different prior art steam injection open Brayton cycles are disclosed by Wilson and Korakianitis in *The Design of High-Efficiency Turbo Machinery and Gas Turbines*, Second Edition, 1998, Prentice-Hall, Inc. For instance, Wilson and Korakianitis cite one study by the General Electric Corporation that their LM5000 gas turbine, when fitted with steam injection and intercooling will experience a power increase from 34 MW to 110 MW and an efficiency improvement from 37% to 55%, compared to a simple Brayton cycle gas turbine power system with no associated Rankine cycle. Such steam injection open Brayton cycles typically do not operate as part of a combined cycle, but rather utilize the heat recovery steam generator to turn feed water into steam for injection upstream of the turbine. Hence, by steam injection, high efficiencies and high power outputs are provided without requiring a separate steam turbine and condenser as required for a combined cycle.

Steam injection open Brayton cycles also suffer from numerous drawbacks. Such cycles require feed water purification to keep the machinery in good working order. Water purification costs hence impede the desirability of prior art steam injection open Brayton cycles. Also, prior art steam injection open Brayton cycles still produce NO<sub>x</sub>, carbon dioxide and other pollutants which are emitted into the atmosphere as with the non-steam injection open Brayton cycle gas turbine power systems described above.

The prevalence of open Brayton cycle gas turbines and particularly combined cycle gas turbine power systems throughout the world which are emitting large amounts of NO<sub>x</sub> and CO<sub>2</sub> into the environment makes desirable the provision of a method and apparatus for retrofitting open Brayton cycle gas turbines in a manner which does not interfere with the existing equipment but which

1041.001

eliminates emission of nitrogen oxides, CO<sub>2</sub> and other pollutants into the atmosphere, so that capital costs associated with such retrofits can be minimized. Such retrofits would additionally benefit from the use of a working fluid which matches the performance characteristics of working fluids in known prior art open Brayton cycle systems so that optimum performance of the system components can be maintained.

### Disclosure of Invention

The needs for pollutant emission elimination and gas turbine efficiency preservation identified above are met by the semi-closed Brayton cycle gas turbine power system of this invention and the associated working fluids employed by this system. This power system utilizes all of the major components of an open Brayton cycle gas turbine power system and optionally also the major components of a combined cycle power system. Additional equipment is added to recirculate at least a portion of the working fluid exiting the turbine and to cool the exhaust if necessary so that it passes back to the compressor forming a semi-closed Brayton cycle.

Specifically, the semi-closed Brayton cycle power system of this invention includes a divider coupled to the turbine outlet of an otherwise known prior art open Brayton cycle gas turbine. The divider splits the exhaust flow of the working fluid exiting the turbine output. A portion of the divider leads to a return duct which directs a major portion (approximately 85%) of the turbine exhaust back to the compressor inlet. The other portion of the divider leads to a separation duct which leads to a condenser having a condensate outlet and a gas outlet.

An oxygen duct directs oxygen into the return duct so that oxygen is added to the portion of the turbine exhaust which passes from the divider into the return duct. The oxygen entering the return duct is mixed with the exhaust therein so that the compressor inlet receives a mixture of the turbine exhaust and the oxygen.

The compressor gas mixture typically includes three gases which are mixed together. These gases include oxygen, steam (water vapor) and CO<sub>2</sub>. The percentage of the gas mixture which each one of these constituents provides can vary. A preferred simple constitution of the gas mixture can be 13% wt oxygen, 39% wt water and 48% wt CO<sub>2</sub>. These constituent percentages can vary somewhat. Preferably, the constituents which form the compressor gas mixture are present at a ratio which is selected so that the gas mixture mimics the properties of air, which is itself a mixture of gases. At the preferred constituent percentages identified above, the various quantifiable physical properties of air (i.e. gas constant, specific heat, density, etc.) are closely matched. Hence, the compressor compresses the gas mixture in the same manner that it compresses air without operating outside of its design limits.

The compressed gas mixture enters the combustor where natural gas or pure methane is combusted with the oxygen in the gas mixture. The methane combusts with the oxygen in the gas

1041.001

mixture just as it would with the oxygen in air. If sufficient methane is supplied to consume all of the oxygen in the gas mixture (a stoichiometric mixture ratio), the working fluid exiting the outlet port of the combustor is entirely CO<sub>2</sub> and steam. These gases have two sources, CO<sub>2</sub> and steam from the gas mixture entering the combustor and CO<sub>2</sub> and steam generated as products of combustion of the oxygen and the methane.

This working fluid passes through the turbine and exits the turbine output as the exhaust. Because the exhaust is entirely CO<sub>2</sub> and steam, no NO<sub>x</sub> is present and no NO<sub>x</sub> elimination equipment need be utilized. If the semi-closed cycle is optionally acting as part of a combined cycle, the exhaust passes through a heat recovery steam generator where it gives up heat to the steam in the "bottoming" Rankine cycle. The exhaust then exits the heat recovery steam generator and enters the divider. A portion of the exhaust is directed to the return duct where it is directed back to the compressor. This exhaust, when mixed with the oxygen from the oxygen duct returns to the appropriate proportions necessary to constitute the gas mixture described in detail above. The gas mixture then again passes through the semi-closed Brayton cycle as described above.

A portion of the exhaust entering the divider is diverted into the separation duct. This exhaust enters a condenser. Because the exhaust is entirely CO<sub>2</sub> and water, and because water condenses at a much higher temperature than CO<sub>2</sub>, the condenser can very effectively and efficiently condense the water while the CO<sub>2</sub> remains gaseous. A condensate outlet removes the water portion of the exhaust. The water is pure and can be utilized as desired without contamination of the environment.

The condenser gas outlet removes CO<sub>2</sub> from the condenser. This CO<sub>2</sub> is essentially pure. Hence, the high energy process of removing CO<sub>2</sub> from nitrogen which would be necessary to separate CO<sub>2</sub> from exhausts of prior art open Brayton cycle gas turbines is avoided. The CO<sub>2</sub> can be sold as an industrial gas, utilized beneficially or can be compressed and sequestered in an underground sequestration site, deep ocean location or any other suitable terrestrial formation.

Because the compressor gas mixture and other working fluids have properties which mimic those of air the major components of the open Brayton cycle gas turbine can be left unmodified and the remaining portions of the semi-closed Brayton cycle of this invention can be added so that an open Brayton cycle gas turbine power system can be retrofitted and modified into a non-polluting power plant. Such a retrofit can occur both for a simple open Brayton cycle gas turbine power system with addition of an appropriate turbine exhaust cooling heat exchanger and for a combined cycle power system.

The semi-closed Brayton cycle gas turbine power system of this invention can be adapted to utilize steam injection upstream of the turbine to provide the semi-closed Brayton cycle with the enhanced efficiency and power output benefits of steam injection detailed above. Because the semi-closed power system generates purified water, this generated water source is used and a separate purified water source is not required. Specifically, in the semi-closed cycle with steam injection a partial condenser is located within the return duct which condenses some of the steam



1041.001

out of the exhaust. The water produced by the condensation of some of the steam in the exhaust is routed through the heat recovery steam generator where it is converted back into steam.

This pure steam is then injected upstream of the turbine. For instance, the steam can be injected with the fuel, injected with the oxidizer from the compressor, or injected separately into the combustor or between the combustor and the turbine. While not preferred, excess water exiting the condenser downstream from the separation duct could similarly be utilized for steam injection.

When the steam is produced from water extracted from a partial condenser in the return duct, the ratio of steam to carbon dioxide within the working fluid passing through the return duct is decreased. As a result, the compressor can compress more oxygen and less steam with the same amount of work. With more oxygen passing through the compressor, more fuel can be combusted in the combustor and the power output of the semi-closed cycle is increased. Also, efficiency of the cycle is increased. While steam injection is typically utilized as a replacement for the "bottoming" Rankine cycle of the semi-closed combined cycle, steam injection could be utilized within a semi-closed combined cycle power system with the heat recovery steam generator generating steam for injection into the combustor upstream of the gas turbine and also generating steam for use within the bottoming Rankine cycle.

### Brief Description of Drawings

20

Figure 1 is a schematic of a combined cycle gas turbine power system such as that which is in common use for electric power generation.

Figure 2 is a schematic of a semi-closed combined cycle gas turbine power system according to this invention.

25 Figure 3 is a schematic of a semi-closed gas turbine power system with steam injection according to this invention.

Figure 4 is a schematic showing how the oxidizer gas mixture and exhaust gas mixture forms of the working fluid are created and routed through the semi-closed Brayton power system.

30 Figure 5 is a schematic of a semi-closed Brayton cycle power system featuring an air start-up mode.

Figure 6 is a schematic of a semi-closed Brayton cycle power system featuring integration with an ion transfer membrane (ITM) air separation unit (ASU).

Figure 7 is a schematic of a combined cycle variation of that which is shown in Figure 6.

35 Figure 8 is a schematic of an alternative combined cycle variation of that which is shown in Figure 6.

Figure 9 is a schematic of a semi-closed combined cycle featuring an ion transfer membrane (ITM) air separation unit (ASU) and supplementary heating in the bottoming cycle.

Figure 10 is a schematic of a variation of that which is shown in Figure 9.

1041.001

Figure 11 is a schematic of an air oxidizer gas turbine combined cycle with an oxygen combustion supplementary heating system as the bottoming cycle.

## 5 Best Modes for Carrying Out the Invention

Referring to the drawings, wherein like reference numerals represent like parts throughout the various drawing figures, reference numeral 10 is directed to a prior art gas turbine combined cycle power system which can be retrofitted according to this invention to become a semi-closed gas turbine combined cycle power system 100 (Figure 2).

While many variations and enhancements to this invention are possible, this invention is illustrated by the following detailed disclosure of a simple conversion of a combined cycle gas turbine power system into the semi-closed combined cycle power system of this invention. This disclosure is believed to be the best mode for such a simple conversion. It is acknowledged that enhancements could be made to increase the complexity and performance characteristics of the invention. Such enhancements are not considered to be part of the best mode for practicing the simple conversion of this invention.

This disclosure is also provided to enable one skilled in the art to perform the basic conversion of a combined cycle gas turbine power system 10 into the semi-closed combined cycle power system 100 of this invention or to construct the semi-closed combined cycle power system 100 of this invention originally from the separate components making up this system 100. Also, this disclosure is provided to disclose the best mode for performance this simple conversion of the combined cycle gas turbine power system 10 into the semi-closed combined cycle power system 100 of this invention in its simplest and most easily executable form.

In essence, and with particular reference to Figure 2, the semi-closed combined cycle power system 100 preferably includes all of the equipment contained within a prior art open Brayton cycle gas turbine, such as in the power system 10 shown in Figure 1. The semi-closed power system 100 adds a divider 110 to an exhaust of a turbine 40. The divider 110 diverts some of the exhaust to a return duct 120 which leads to a compressor 20. Other portions of the exhaust are diverted to a separation duct 130 which leads to a condenser 140. An oxygen duct 150 introduces oxygen into the return duct 120 so that the compressor receives a mixture of turbine exhaust and oxygen.

The compressor compresses this gas mixture and utilizes it within a combustor 30 to combust fuel, such as natural gas or pure methane. The combustor exhaust is then passed through the turbine where it is expanded and does work, both driving the compressor and outputting power from the power system 100. The exhaust is then directed back to the divider 110 identified above.

While not necessary, maximum efficiency can be provided by passing the exhaust through a heat recovery steam generator 50 between the turbine 40 and the divider 110. The heat recovery steam generator 50 transfers heat out of the exhaust E and into a steam heating circuit which leads

1041.001

to a separate steam turbine and generator 60 for additional power output from the power system 100.

This semi-closed power system 100 completely operates on mixtures of gases including CO<sub>2</sub>, steam and oxygen. Portions of these gases which are diverted by the divider 110 to the separation duct 130 can be exhausted into the atmosphere as none of these gases are currently regulated in the United States with restrictions on their emission as pollutants. However the exhaust, which is primarily CO<sub>2</sub> and water, can easily be separated within a condenser so that pure streams of excess water and excess CO<sub>2</sub> can be provided. These pure streams can then be further handled in a manner other than exhaust into the environment if desired such as to avoid emission of CO<sub>2</sub>, a greenhouse gas.

More particularly, and with specific reference to Figure 1, details of the prior art combined cycle gas turbine power system 10 are described which can be retrofitted to form the semi-closed power system 100 of this invention. The combined cycle gas turbine power system 10 is a variation on the open Brayton cycle. Combined cycle gas turbines are in widespread use in the United States and are capable of particularly high power output per unit size and particularly high efficiency. A simplest open Brayton cycle gas turbine power system could also be modified according to this invention by merely eliminating the heat recovery steam generator 50 and steam turbine and generator assembly 60 from the power systems 10, 100.

The combined cycle gas turbine power system 10 begins by induction of air A into an inlet 22 of a compressor 20. The compressor 20 increases a pressure of the air A, typically approximately tenfold before the air A leaves the compressor 20 through the outlet 24. The air A is then directed to an oxidizer port 34 of a combustor 30. The combustor 30 additionally includes a fuel port 32. The fuel port 32 delivers fuel, typically natural gas or pure methane, into the appropriate combustor 30. With modifications, other hydrocarbon fuels can be used.

The oxidizer port 34 has air A passing therethrough and into the combustor 30 when the combined cycle gas turbine power system 10 is operating according to the prior art. While air can be considered to be an oxidizer, it is in fact the oxygen within the air which acts as the oxidizer. Other constituents of the air, primarily nitrogen, largely do not react within the combustor 30 and merely pass through the turbine 40 as part of the exhaust E. However, the combustor 30 typically achieves sufficiently high temperatures during combustion of the fuel that some of the nitrogen does react with the oxygen in the air to form nitrogen oxides, referred to as NO<sub>x</sub>. Hence, the exhaust E leaving the combustor 30 through the outlet port 36 not only includes products of combustion of the fuel with the oxygen, namely CO<sub>2</sub> and steam, but additionally includes the nitrogen in the air as well as NO<sub>x</sub> and typically some quantity of volatile organic compounds, referred to as VOCs, and particulates.

These various constituents of the gas mixture exiting the combustor 30 through the outlet port 36 are together referred to as the exhaust E. The exhaust E is then directed to the turbine 40 through the input 42. The exhaust E passes through the turbine 40 and exits the turbine 40

1041.001

through the output 44. The turbine 40 includes a compressor drive shaft 46 or other mechanical, electrical or other power coupling between the turbine and the compressor 30 which allows a portion of the power generated by the turbine 40, as the exhaust E expands through the turbine 40, to drive the compressor 20. Additional power 40 generated by expansion of the exhaust E through the turbine 40 is outputted from the turbine 40, typically to an electricity generator along arrow 48. However, it is known in the prior art for the turbine 40 to be directly coupled to a prime mover or transmission, such as a prime mover on a ship or to an output nozzle on a jet engine, or to otherwise be mechanically or otherwise coupled to other devices for outputting of power other than to an electricity generator.

10 The exhaust E can be released into the surrounding atmosphere upon exiting the output 44 of the turbine 40. In such an arrangement, the gas turbine is functioning as a simple open Brayton cycle gas turbine power system, rather than as a combined cycle gas turbine power system 10. Preferably, however, in situations where efficiency is to be maximized or where steam production is beneficial for heating or use in processing equipment which requires steam, the exhaust E is  
15 directed to a heat recovery steam generator 50.

The heat recovery steam generator 50 includes an entrance 52 which receives the exhaust E and an exit 54 where the exhaust E is released into the surrounding environment. The heat recovery steam generator includes a steam heating circuit 56 therein which receives heat which is transferred out of the exhaust E into the steam heating circuit 56. The steam heating circuit 56 is part of a  
20 steam turbine and generator assembly 60 which has a working fluid pathway 62 which passes into the steam heating circuit 56 of the heat recovery steam generator 50 before returning the steam working fluid back to the steam turbine and generator assembly 60. This assembly 60 would typically include a condenser and pump, as is known in the art to provide a closed Rankine cycle. An alternative to the assembly 60 is to merely provide the steam in the pathway 62 for other  
25 heating requirements (i.e. food processing, chemical processing, heating buildings, etc.).

The steam turbine and generator assembly 60 function as a typical closed Rankine cycle steam power plant except that rather than having a fired boiler for boiling the water to make steam working fluid, the water is passed through the steam heating circuit 56 of the heat recovery steam generator 50 within the combined cycle gas turbine power system 10 to boil the water into steam  
30 working fluid before it is directed into the steam turbine of the steam turbine and generator assembly 60 or used for other heating purposes. In essence, the heat recovery steam generator 50 and the steam turbine and generator assembly 60 put to use the excess heat remaining within the exhaust E so that an overall efficiency of the combined cycle gas turbine power system 100 is increased.

35 The exhaust E which is directed into the atmosphere has the same constituents that it has upon exiting the combustor 30 through the outlet port 36. Namely, the exhaust E is a majority nitrogen from the air A which was introduced through the compressor 20 and into the oxidizer port 34 of the combustor 30. The exhaust E also includes large amounts of CO<sub>2</sub> and steam which were

1041.001

generated within the combustor 30 by the combustion of the methane, natural gas or other hydrocarbon fuel with the oxygen in the air A. The exhaust E would typically additionally include oxygen which was in excess of the amount necessary to combust all of the fuel.

The nitrogen, any excess oxygen and the steam are exhaust E constituents which are already prevalent in Earth's atmosphere and do not impact the quality of the environment. The CO<sub>2</sub> within the exhaust E is also a constituent of air in Earth's atmosphere, but is present as less than 1% of air. While CO<sub>2</sub> is a constituent of air, within Earth's atmosphere, evidence is mounting that detrimental environmental impacts are associated with increases in the CO<sub>2</sub> present within Earth's atmosphere. For instance, CO<sub>2</sub> is often referred to as a "greenhouse gas" which is believed to contribute to global warming.

CO<sub>2</sub> is not currently regulated in the United States as a pollutant, but elimination of CO<sub>2</sub> from the exhaust E which is directed back into earth's environment from combined cycle gas turbine power systems 10 is widely considered to be a desirable objective. The remaining constituents of the exhaust are pollutants which in many cases have emission thereof strictly regulated and which detrimentally impact air quality if released or which severely diminish efficiency if collected.

With particular reference to Figure 2, the semi-closed combined cycle power system 100 of this invention is described in detail. The semi-closed power system 100 begins with each of the major components of the combined cycle gas turbine power system 10 (Figure 1) described in detail above. However, the exit 54 of the heat recovery steam generator 50 does not direct the exhaust E' directly into the surrounding atmosphere. Rather, a divider 110 is provided which receives the exhaust E' exiting from the exit 54 of the heat recovery steam generator 50. The divider 110 has two outlets including a return duct 120 and a separation duct 130. The return duct 120 directs a major portion (approximately 85%) of the exhaust E' back to the inlet 22 of the compressor 20. The separation duct 130 directs a remaining portion of the exhaust E passing through the divider 110 to a condenser 140.

The divider 110 can have any of a variety of configurations. The primary feature of the divider 110 is that it is capable of splitting the exhaust E' flow into the two separate pathways including the return duct 120 and the separation duct 130. In a simplest form of the invention, the divider could be unadjustable and merely utilize pressure differentials between the return duct 120 and the separation duct 130 to divide the exhaust E' flow between the return duct 120 and the separation duct 130.

Alternatively, a pressure sensitive valve 132 of some sort could be used, such as by placement in the divider separation duct 130. For instance, if it is desirable for the return duct 120 to have a pressure slightly higher than atmospheric, the valve would be slightly closed to increase the resistance of separation duct 130 and reduce the flow rate. This temporary reduction in the flow rate of separation duct 130 increases the flow rate of return duct 120 and thus increases the recirculating mass of the system and corresponding pressure level. When the proper pressure is achieved, the valve in separation duct 130 is returned to its original position. To reduce the system

1041.001

pressure the reverse of these steps is performed.

Because the combustor 30 increases an amount of gas in the system, more exhaust E' flows out of the turbine 40 than the amount of gas that flows into the compressor 20. To keep the pressure within the return duct 120 at the desired level, such as near or slightly above atmospheric pressure, the separation duct 130 would have the valve 132 within the separation duct 130 open sufficiently so that excess exhaust E' would be diverted through the separation duct 130 and the desired pressure within the return duct 120 would be maintained. Such a valve 132 in the separation duct 130 would control the pressure of the system by increasing or decreasing the flow rate exiting duct 130 until the desired pressure has been reached and steady state conditions are achieved.

The control valve 132 could also be configured with a vane/damper which might automatically move to divert more or less flow from the return duct 120 and into separation duct 130 merely by pressure monitoring. Also, the vane/damper 130 could be coupled to a drive axle and pressure sensors or other sensors for controlling the semi-closed power system 100 could be utilized to actively control flow rates and pressures within the return duct 120 and the separation duct 130 by controlling the position of the vane/damper 130 within the separation duct 130.

The return duct 120 typically is in the form of a substantially airtight conduit. Because the return duct 120 includes exhaust E' therein which includes steam, it would typically need to maintain sufficient temperatures, approximately 180°F to 200°F so that the steam making up a portion of the exhaust E' does not condense within the return duct 120. The return duct 120 can be fitted with insulation to prevent condensation along the walls of the return duct 120. Additionally, or alternatively, the return duct 120 can be manufactured from materials which can accommodate the condensation of small amounts of water out of the exhaust 120 and merely provide water traps at lowermost portions of the return duct 120 to collect any water condensing within the return duct 120 and direct the water out of the return duct 120, such as into the condenser 140.

The return duct 120 additionally includes an oxygen duct 150 which introduces oxygen into the return duct 120. The oxygen duct 150 is coupled to a source of gaseous oxygen. Such a gaseous oxygen source could be of a variety of types including air separation units which are capable of removing oxygen from the air, a gaseous oxygen pipeline, a liquid oxygen tank under pressure which bleeds off gaseous oxygen into the oxygen duct 150 or any of a variety of other oxygen supply sources.

Preferably, the oxygen duct 150 receives oxygen from an air separation unit which is powered by power outputted from the turbine 40, so that the entire semi-closed combine cycle power system 100 includes the air separation unit therein. The air separation unit can be of a liquefaction type which separates the oxygen from the air by cooling the air to below the condensation point for the nitrogen in the air so that the nitrogen is removed from the oxygen in the air. Such a cryogenic air separation system is described in detail in United States Patent No. 5,611,219 to Bonaquist, incorporated herein by reference. Alternatively, the air separation unit can be configured utilizing

1041.001

ion transfer membrane technology such as that described in detail in United States Patent No. 5,447,555 to Ye, incorporated herein by reference. Other techniques such as vacuum pressure swing adsorption could similarly be utilized, such as that described in detail in United States Patent No. 5,194,890 to McCombs incorporated herein by reference, to separate oxygen out of the air and deliver the oxygen from the oxygen duct 150 into the return duct 120.

The oxygen from the oxygen duct 150 is introduced into the exhaust E' within the return duct 120 to form a gas mixture C, called "C-gas" which mimics the characteristics of air. Specifically, the gas mixture C includes the products of combustion of the methane or natural gas with oxygen, namely CO<sub>2</sub> and steam along with the oxygen introduced from the oxygen duct 150.

The ratio of the CO<sub>2</sub> with the steam is similar to that which naturally occurs when the methane or natural gas fuel is combusted stoichiometrically with oxygen. Specifically, this ratio of CO<sub>2</sub> to steam when methane is combusted in oxygen stoichiometrically is 55% CO<sub>2</sub> by weight and 45% steam by weight. This ratio of CO<sub>2</sub> to steam is maintained within the exhaust E', through the divider 110, along either the return duct 120 or the separation duct 130 and into the compressor 20, where the exhaust E' is combined with the oxygen from the oxygen duct 150 to form the gas mixture C. However, when the oxygen is mixed with the exhaust E' including the CO<sub>2</sub> and the steam, the gas mixture C additionally includes the oxygen. While the ratio of CO<sub>2</sub> to water remains the same, the ratio of CO<sub>2</sub> to the overall gas mixture C and the ratio of the steam to the overall mixture of the gas mixture C are reduced by an amount proportional to the amount of oxygen introduced into the return duct 120 through the oxygen duct 150. An example of this gas mixture C is provided as follows.

Example 1.

In this example a minimum amount of oxygen is supplied by the oxygen duct 150 so that the methane fuel burns at a stoichiometric ratio with the oxygen within the gas mixture C and no excess oxygen remains in the exhaust E'. In this hypothetical example, the gas mixture C would be provided with sufficient oxygen so that the gas mixture C would be 13% oxygen by weight.

Note that air is approximately 23% oxygen by weight and typically reacts with methane with some excess air present which is not necessary for combustion of all of the methane. The gas mixture C has the CO<sub>2</sub> constituents and steam constituents proportionally reduced to provide for the inclusion of the oxygen as 13% wt of the gas mixture C. Specifically, the CO<sub>2</sub> is reduced from 55% wt of the exhaust E' to 48% wt of the gas mixture C. The steam is reduced from 45% wt of the exhaust E' to 39% wt of the gas mixture C.

Various different formulations for the gas mixture C can be provided, varying from the specific gas mixture C of Example 1, while remaining within the basic concept of the semi-closed combined cycle power system 100 of this invention. Other examples could certainly be utilized.

A serendipitous and remarkable attribute of the semi-closed combined cycle power system 100 of this invention is that when oxygen is added to the natural products of combustion of methane and oxygen, in an amount sufficient to replace the combusted oxygen, the resulting gas mixture C

1041.001

(having 48% CO<sub>2</sub>, 39% water and 13% oxygen by weight) has attributes which very closely mimic the attributes of air in earth's atmosphere. Hence, not only is the gas mixture C the most simply achievable constituent makeup for the gas mixture C, but this gas mixture C also has air mimicking characteristics which allow it to be directed into the compressor 20 and operate within the design parameters of the compressor 20 that has been originally designed and constructed for the compression of air A (Figure 1) rather than the gas mixture C. As a result, the compressor 20 does not require modification to handle the gas mixture C rather than air A (Figure 1).

Table 1 provides twelve quantifiable gas parameters which are important to the design of compressors such as the compressor 20. In this table the values for the parameters of the gas mixture C, proposed in the above example, are shown alongside the values for these various parameters for air. A review of this table and a comparison between the gas mixture C and air shows that for most parameters the values for air and the values for the various gas mixture C are very close. The inlet pressure of the semi-closed cycle 100 can be adjusted, as described above, to better match gas mixture C properties with those for air. Also, small compressor speed changes may be desirable. Such speed changes can be done when the compressor design characteristics are known, to fully optimize the cycle 100.

TABLE 1.

	<u>Parameter</u>	<u>Gas Mixture 1</u>	<u>Air</u>
20	Gas Constant - R, ft <sup>3</sup> /lb <sup>o</sup> F	56.6	53.3
	Specific Heat - Btu/lb <sup>o</sup> F	0.336	0.250
	Specific Heat Ratio ( $\gamma$ )	1.28	1.38
	Typical Pressure Ratio	30	30
	Inlet Temperature (T1), <sup>o</sup> F	200	80
25	Outlet Temperature (T2), <sup>o</sup> F(2)	1058	1065
	Inlet Pressure (P1), psia	17.4	14.7
	Outlet Pressure, psia	522	441
	Inlet Density, lb/ft <sup>3</sup>	0.0671	0.0735
	Outlet Density, lb/ft <sup>3</sup>	0.875	0.781
30	Weight Flow Ratio - (Inlet Cond)(3)	1.00	1.00
	Speed Ratio (N/NAIR)(4)	0.99	1.00

(1) Values for the gas mixture C including 13% oxygen, 39% steam and 48% CO<sub>2</sub>, by weight calculated by adding known values for each gas constituent multiplied by its percentage of the gas mixture.

35 (2) Compressor efficiency ~ 85%

(3)  $P1 \cdot \sqrt{\gamma R T1} = \text{CONSTANT}$  (where R is the gas constant)

(4)  $N / \sqrt{\gamma R T1} = \text{CONSTANT}$



1041.001

After the exhaust E' exits the output 44 of the turbine 40, the exhaust E' is 55% CO<sub>2</sub> and 45% steam by weight. Some of CO<sub>2</sub> and the steam are produced within the combustor 30 and some enter the combustor 30 through the oxidizer port 34 as part of the gas mixture C.

5 Preferably, the exhaust E' is routed through the heat recovery steam generator 50 so that heat can be removed from the exhaust E' to drive a steam turbine and generator assembly 60 so that additional power can be generated from the semi-closed combined cycle power system 100. However, utilization of the heat recovery steam generator 50 is not strictly required for this power system 100. Rather, the turbine output 44 could lead directly to the divider 110 so that a semi-closed simple Brayton cycle variation on the power system 100 would be provided.

10 When the exhaust E' exits the heat recovery steam generator 50 it has a lower enthalpy but maintains its 55% wt CO<sub>2</sub> and 45% wt steam constituent ratio. This exhaust E' encounters the divider 110 where a first portion thereof is directed to the return duct 120 for redirection back to the compressor 20. A second portion of the exhaust E' is diverted by the diverter 110 to the separation duct 130. During steady state operation, the amount of exhaust E' directed to the  
15 separation duct 130 is precisely identical to the amount of CO<sub>2</sub> and steam which are generated by the combustion of methane with oxygen within the combustor. In essence, some of the CO<sub>2</sub> and water remain in the semi-closed power system 100 by passing along the return duct 120 and other portions of the exhaust E' are removed from the power system 100 so that the amount of working fluid passing through the components making up the power system 100 remains constant.

20 Another serendipitous result of the semi-closed power system 100 of this invention is that the exhaust E' has a desired constituent makeup which allows it to mimic air merely by having an appropriate amount of oxygen from the oxygen duct 150 added to a portion of the exhaust E' within the return duct 120. Hence, the divider 110 need not discriminate between different constituent gases within the exhaust E' when dividing a portion of the exhaust E' for passage  
25 along the separation duct 130 and out of the system 100. Rather, it is merely necessary that a homogeneous portion of the exhaust E' which matches an amount of the exhaust E' which was generated within the combustor as products of combustion of the methane and oxygen (approximately 15%) be diverted into the separation duct 130. This portion of the exhaust E' passing through the separation duct is thus approximately 55% CO<sub>2</sub> and 45% water by weight.

30 The separation duct 130 directs this portion of the exhaust E' into the condenser 140. Because steam/water is ordinarily a liquid at standard atmospheric conditions and CO<sub>2</sub> is typically a gas at standard atmospheric conditions, the condenser 140 can effectively and completely separate the steam/water constituent of the exhaust E' from the CO<sub>2</sub> constituent of the exhaust E'. Specifically, cooling water, cooling air or some other cooling medium is typically provided within the  
35 condenser 140 to cool the exhaust E' to below the condensation point for the steam/water. The steam/water then condenses into a liquid and can be easily removed from a bottom of the condenser 140 along an excess water condensate outlet 142. Cooler portions of the condenser 140 which still contain gas lead to a gas outlet 144 which will be primarily CO<sub>2</sub>, with some water

1041.001

vapor remaining therein. Any water vapor in the CO<sub>2</sub> is removed during its processing.

The excess water can be utilized in a variety of ways or discharged into a surrounding environment. The excess CO<sub>2</sub> exiting the condenser 140 along the gas outlet 144 is a substantially pure stream of CO<sub>2</sub>. While CO<sub>2</sub> can be exhausted into the atmosphere in an unregulated fashion under current regulations, its separation into a substantially pure stream at the gas outlet 144 allows for other uses for the CO<sub>2</sub> rather than exhausting into the atmosphere.

Specifically, the CO<sub>2</sub> could be sold in the industrial gas market, it could be utilized in processes which benefit from use of CO<sub>2</sub>, or it can be pressurized into a liquid form for storage or disposal. Because relatively large quantities of CO<sub>2</sub> are produced by the combustion of the methane with oxygen, regardless of the beneficial uses provided for the CO<sub>2</sub>, some CO<sub>2</sub> will remain which must be disposed of.

One known prior art technique is to pressurize the CO<sub>2</sub> sufficiently so that it can be sequestered into underground depleted oil wells or other underground fissures, or directed into deep ocean locations, or any other appropriate terrestrial formation. Such pressurization only places a minimal efficiency penalty on the semi-closed combined cycle power system 100 because substantially only the CO<sub>2</sub> need be pressurized. In contrast, the prior art combined cycle gas turbine 100 with an exhaust including nitrogen and CO<sub>2</sub> would incur a significant efficiency penalty in separating the nitrogen and other gases from the CO<sub>2</sub> before pressurization of the remaining separated CO<sub>2</sub> for sequestration. In essence, removal of oxygen from the air in an air separation unit coupled to the oxygen duct 150 before combustion of the fuel with the gas mixture C, is more efficient than combusting the fuel in air and later separating the exhaust so that the CO<sub>2</sub> can be appropriately handled. Also, 100% of the CO<sub>2</sub> is removable, rather than the 85% to 90% removable with known prior art systems.

Typically, some water vapor may remain within the gas outlet 144. During the process of pressurizing the CO<sub>2</sub> within the gas outlet 144, an initial stage of pressurization would typically cause remaining portions of steam passing through the gas outlet 144 to be removed from the gas outlet 144. Additionally, other gases which might remain within the gas outlet 144 can be similarly removed. For instance, any excess oxygen which was not combusted within the combustor 30 can conceivably be captured from the gas outlet 144 during the compression of the CO<sub>2</sub> in that the oxygen would remain gaseous after the CO<sub>2</sub> has been liquefied. The oxygen could then be routed to the oxygen duct 150. Argon and other trace gases could also be separated from the CO<sub>2</sub>, for recovery and sale as by-products.

With particular reference to Figure 4, details of the routing and transformation of the working fluid within the semi-closed Brayton cycle of this invention are described. The working fluid of the semi-closed Brayton cycle includes two distinct mixtures at different portions of the cycle. A first oxidizer mixture of the working fluid includes oxygen or some other oxidizer and defines the working fluid of the cycle upstream of the combustor. A second exhaust mixture of the working fluid is located downstream of the combustor and reflects inclusion of the combustion products

1041.001

created within the combustor.

While the oxidizer mixture and exhaust mixture forms of the working fluid could have a variety of different constituent chemical species, a preferred embodiment of this invention configures the oxidizer mixture and the exhaust mixture of the working fluid for combustion of methane or natural gas (natural gas is largely methane) with oxygen at a near stoichiometric ratio. In such a configuration, the oxidizer mixture constituent chemical species includes gaseous molecular oxygen (O<sub>2</sub>) as the only reactant constituent chemical species and a mixture of carbon dioxide and water vapor as the diluent constituent element species and as the product constituent chemical species. When methane is combusted with oxygen the chemical equation for this reaction is as shown in equation 1.



This combustion reaction is a high energy exothermic reaction, resulting in release of substantial amounts of energy which in turn allow for a large amount of power generation by the semi-closed Brayton cycle power generation system of this invention. In fact, when methane and oxygen are combusted at this stoichiometric ratio (equation 1) the carbon dioxide and steam combustion products typically obtain a temperature of approximately 6,000°F (depending on the temperature of the reactants and other combustion conditions).

The challenges associated with handling such high temperature gases without damaging the combustor or the turbine downstream of the combustor are not easily managed. To reduce this combustion products temperature and confine the highest temperature combustion products to as small an area as possible, a non-reacting diluent is included as part of the oxidizer mixture.

In prior art Brayton cycle power generation systems, such an oxidizer mixture has merely been ambient air. Air has the requisite amount of oxygen to form a reactant portion of the air oxidizer mixture. When the oxidizer mixture is air, the diluent portion is primarily gaseous nitrogen (N<sub>2</sub>) with the nitrogen diluent constituting about eighty percent of the oxidizer mixture. The diluent portion of the oxidizer mixture is not altered in the combustion reaction. Rather, it merely passes through the combustor and helps regulate a temperature of the combustion products.

In essence, and as shown in Figure 4, the reactant portion (oxygen) of the oxidizer mixture reacts with the fuel (methane) to produce the combustion product portion (carbon dioxide and water) of the exhaust mixture form of the working fluid. The diluent portion (nitrogen) merely passes through the combustor and is heated, forming the diluent portion (nitrogen) of the exhaust mixture form of the working fluid. Unfortunately, some of the nitrogen diluent portion does react with the oxygen at the high temperatures experienced within the combustor, such that nitrogen oxides (NO<sub>x</sub>) are produced. Also, the nitrogen diluent portion of the exhaust mixture is difficult to separate from the carbon dioxide constituent of the product portion (carbon dioxide and water) of the exhaust mixture. Hence, the nitrogen diluent interferes with collection of the carbon dioxide in the exhaust mixture downstream of the combustor.

This invention uniquely replaces the nitrogen diluent portion in the oxidizer mixture with a

1041.001

diluent portion comprised primarily of carbon dioxide and water. Hence, the oxidizer mixture is formed of the reactant portion (oxygen) and the diluent portion (carbon dioxide and water). As with the prior art Brayton cycle, the reactant portion (oxygen) combusts with the fuel (methane) to form the product portion (carbon dioxide and water) of the exhaust mixture. The diluent portion (carbon dioxide and water) passes through the combustor substantially unaltered and forms the diluent portion (carbon dioxide and water) of the exhaust mixture.

Additionally, the ratio of carbon dioxide to water in the diluent portion of the oxidizer mixture is selected to match the ratio of carbon dioxide to water in the product portion of the exhaust mixture. Hence, the exhaust mixture includes both a product portion (carbon dioxide and water) and a diluent portion (carbon dioxide and water) which have the same carbon dioxide to water ratios. The exhaust mixture is thus a single homogeneous mixture of carbon dioxide and water having a carbon dioxide to water ratio matching that which naturally occurs when oxygen and methane are combusted together at a stoichiometric ratio.

The exhaust mixture form of the working fluid is recirculated according to the semi-closed Brayton cycle. Before this recirculation is complete, a portion of the exhaust mixture is diverted out of the cycle so that a total amount of carbon dioxide and water within the system remains constant even though carbon dioxide and water are continually being produced within the system. The recycled exhaust portion (carbon dioxide and water) passes through a mixer where the reactant portion (oxygen) is added back to the recycled exhaust portion (carbon dioxide and water) to again form the oxidizer mixture form of the working fluid, including the reactant portion (oxygen) and the diluent portion (carbon dioxide and water). This mixer of Figure 4 is generally depicted in Figures 2 and 3 where the oxygen supply duct 150 joins the return duct 120 but could be a specific mixing structure located anywhere between the turbine/expander output and the compressor.

As specified in detail above, the specific constituent percentages of the chemical species forming the reactant portion and diluent portion of the oxidizer mixture and the product portion and diluent portion of the exhaust mixture can vary to satisfy the particular design criteria for any particular system. The two specific examples identified above and the three gas composition formulations identified in example 2 are merely a few representative samples. One sample overall formulation is shown below as equation 2.



In equation 2 the diluent portion ( $\text{CO}_2 + 2\text{H}_2\text{O}$ ) is shown with a prevalence three times that of the reactant portion ( $\text{O}_2$ ). Stated alternatively, seventy-five percent of the oxidizer mixture is diluent and twenty-five percent of the oxidizer mixture is oxygen. A greater or lesser ratio of diluent portion to reactant portion could be provided if desired. If a lesser diluent portion is provided, temperatures of combustion will typically be elevated. Conversely, if a greater amount of diluent is included, lesser temperatures would typically be experienced. Certainly if other hydrocarbon fuels were utilized and combusted with oxygen equations 1 and 2 could be appropriately modified to provide an appropriate balance of constituent chemical species forming

1041.001

the oxidizer mixture and the exhaust mixture forms of the working fluid for the semi-closed Brayton cycle power generation system of this invention.

The oxidizer mixture can be further modified according to the steam injection variation of the semi-closed Brayton cycle shown in detail in Figure 3. In such a steam injection variation, some of the water in the exhaust mixture is not routed back to form a portion of the oxidizer mixture, but rather is routed directed to the combustor. In such a steam injection variation, the exhaust mixture would not be modified from that described above. However, the oxidizer mixture would tend to have a greater ratio of CO<sub>2</sub> to water within the oxidizer mixture after diversion of a portion of the water/steam to the combustor. Where it is desirable to have the oxidizer mixture mimic the characteristics and performance of air, it would be generally desirable to increase a ratio of reactant portion (oxygen) to diluent portion (carbon dioxide and water) to compensate for the lesser amount of water in the oxidizer mixture where the steam injection variation of this invention is utilized.

In use and operation, and with particular reference to Figures 1 and 2, details of the retrofitting of a combined cycle gas turbine power system 10 with components to make it into the semi-closed combined cycle power system 100 of this invention are described. The semi-closed power system 100 of this invention can of course be constructed originally from separate components as shown in Figure 2. However, the power system 100 utilizes each of the major components of a combined cycle gas turbine 10 so that retrofitting of the combined cycle gas turbine 10 can be accomplished without replacement or modification of major components.

Specifically, the divider 110 is coupled to the existing exit 54 of the heat recovery steam generator 50 and configured so that the separation duct 130 and the condenser 140 extend from one portion of the divider 110 and the return duct 120 extends from another portion of the divider 110. The return duct 120 returns back to the inlet 22 of the compressor 20. The oxygen duct 150 is positioned so that it can add oxygen into the return duct 120 and mix the oxygen with the exhaust E' to form the gas mixture C' for use in the semi-closed power system 100. An air separation unit would typically also be provided, which would be coupled to the oxygen duct 150.

Hence, the combined cycle gas turbine 10 can be retrofitted into a semi-closed combined cycle power system 100 with zero emissions (or vice versa for emergency operation) by merely adding the divider 110 and return duct 120 to route the exhaust E' back to the compressor 20 and the inclusion of a relatively straightforward separation duct 130, condenser 140 and air separation unit for oxygen production. This ability to operate as a semi-closed cycle or an open cycle, in an emergency, provides the plant with a very high reliability factor against unscheduled shutdowns.

With particular reference to Figure 3, the semi-closed Brayton cycle power system with steam injection 200 of this invention is described in detail. The steam injection power system 200 begins with each of the major components of the semi-closed power system 100 (Figure 2) described in detail above. However, for the steam injection power system 200, the semi-closed power system 100 is modified somewhat. Specifically, the heat recovery steam generator 50 is preferably not utilized to generate steam for a steam turbine and generator assembly 60, but rather is utilized to

1041.001

generator steam for injection into the combustor 30. Hence, the steam heating circuit 56, steam turbine and generator assembly 60 and working fluid pathway 62 are removed from the semi-closed power system 100 (Figure 2) when the system 100 is modified to operate as the steam injection power system 200 (Figure 3).

5        Additionally, the return duct 120 is modified to include a partial condenser 210 therein. The partial condenser 210 is preferably interposed within the return duct 120 so that all of the exhaust E' passes into the partial condenser 210. The partial condenser 210 includes a cooling fluid circuit 212 which passes through the partial condenser 210 in a heat exchange relationship so that a portion of the steam within the exhaust E' is caused to condense within the partial condenser 210.  
10        The cooling fluid within the cooling fluid circuit 212 could be any appropriate fluid, but would typically be water or possibly air.

Lower surfaces of the partial condenser 210 include a condensate outlet 214. The condensate outlet 214 leads to a water return line 216. This water return line 216 is routed back toward the heat recovery steam generator 50. The water within the water return line 216 is pumped up to  
15        combustor inlet pressure with a pump 220.

A high pressure water line 217 exits the pump 220 and passes through the heat recovery steam generator as the steam generation circuit 255. This steam generation circuit 255 outputs steam along steam injection line 218. This steam is then injected into the combustor 30 at the steam injection port 233.

20        The steam can in fact be introduced at a variety of locations upstream from the turbine 40 or within the turbine 40. For instance, the steam can be mixed with the compressed gas mixture exiting the compressor 20 before this gas mixture enters the combustor 30 at the oxidizer port 34. The steam could also, or alternatively, be mixed with fuel entering the combustor 30 at the fuel port 32. It is also possible that the steam could enter the combustor 30 within a combustion  
25        chamber area where maximum temperatures are achieved and cooling associated with the steam injection would preserve hardware within the combustor 30. The steam can alternatively be introduced downstream from the combustor 30 or at an intermediate stage within the turbine 40.

While the partial condenser 210 is preferably within the return duct 120, it is also conceivable that the return duct 120 would be split into two pathways with one of the pathways having all or  
30        part of the steam condensed therefrom and another of the pathways having no steam condensed therefrom. These two pathways would then be rejoined together with the same amount of water condensed from the exhaust E' as in the preferred embodiment identified above.

The steam injection power system 200 alters the make-up of the exhaust E' due to the partial condensation of steam within the exhaust E' while it flows through the return duct 120.  
35        Specifically, the exhaust E' enters the partial condenser 210 preferably made up of 55% wt CO<sub>2</sub> and 45% wt steam. A CO<sub>2</sub>-enriched exhaust E" exits the partial condenser 210 within the return duct 120. The amount of steam depletion from the exhaust E" depends on an amount of condensation occurring within the partial condenser 210. The CO<sub>2</sub>-enriched exhaust E" then

1041.001

reaches the oxygen duct 150 where oxygen is added to the CO<sub>2</sub>-enriched exhaust E". A gas mixture C' results which has a greater amount of CO<sub>2</sub> and oxygen and a lesser amount of steam when compared to the gas mixture C of the previous embodiment (Figure 2). An example of this gas mixture C', which is the preferred mixture for the steam injection power system 200, among  
5 numerous possible mixtures, is provided in example 2 which follows.

#### EXAMPLE 2.

In this example, a little over half of the steam is condensed within the partial condenser 210. Specifically, the CO<sub>2</sub>-enriched exhaust E" exiting the partial condenser 210 includes 79% wt CO<sub>2</sub> and 21% wt steam. Oxygen is supplied by the oxygen duct 150 at a ratio to the CO<sub>2</sub>-enriched  
10 exhaust E" to produce the gas mixture C' including 63% wt CO<sub>2</sub>, 17% wt steam and 20% wt oxygen. This gas mixture C' has air mimicking attributes similar to those of the gas mixture C of the previous embodiment (Figure 2). Hence, the compressor 20 can compress the gas mixture C' while operating within its design parameters for the compression of air A (Figure 1).

Note that the gas mixture C' includes 20% wt oxygen which is approximately the amount of oxygen within air A. This gas mixture C' can be utilized as the oxidizer within the combustor with  
15 an amount of fuel similar to that utilized when the combustor 30 is burning the fuel, such as natural gas or methane, in air A (Figure 1). In such a scenario, excess oxygen is typically present after full combustion of the fuel. This excess oxygen within the working fluid exiting the combustor 30 would pass through the turbine 40 and be expanded along with other constituents of the exhaust  
20 E'.

The excess oxygen would then travel along with the exhaust through the divider 110 where a portion of the excess oxygen would pass through the separation duct 130 and into the condenser 140. Such excess oxygen would exit the condenser 140 through the gas outlet 142. The excess oxygen could then be readily separated from the CO<sub>2</sub> and returned to the oxygen duct 150 for  
25 reuse. The remaining oxygen within the exhaust E' would pass through the divider 110 and on to the return duct 120. It would then pass through the partial condenser 210 and be routed back to the compressor 30. Hence, in such an excess oxygen operation embodiment, a significant amount of oxygen would remain within the exhaust E' (i.e. the exhaust E' could have up to 10% wt oxygen) and CO<sub>2</sub>-enriched exhaust E" such that less oxygen would need to be supplied from the  
30 oxygen duct 150 to create the gas mixture C' at the desired 63% wt CO<sub>2</sub>, 17% wt steam and 20% wt oxygen constituency.

Preferably however, when the gas mixture C' is provided with oxygen as 20% of the gas mixture C', a proportionately larger amount of fuel, such as natural gas, is utilized within the combustor 30 so that a stoichiometric or near stoichiometric ratio is still maintained between the  
35 oxygen in the gas mixture C' and the fuel. When such a stoichiometric ratio is maintained, no oxygen remains within the exhaust E'. A greater amount of products of combustion would be provided per unit of gas mixture C' than with the gas mixture C (Figure 2).

This greater amount of combustion products would have its temperature controlled by the

1041.001

injection of the steam into the combustor 30 through the steam injection port 233. Hence, temperatures would not exceed the design parameters for the combustor 30 and the turbine 40. Significantly larger amounts of exhaust E' exit the combustor and pass through the turbine 40 per unit of gas mixture C', such that the turbine 40 outputs more power through power output 48. Because additional fuel is also utilized to burn with the additional amount of oxygen within the gas mixture C', the overall efficiency of the steam injection power system 200, when compared to the semi-closed combined cycle power system 100 is only slightly increased, while the power output from the steam injection power system 200 is significantly increased.

While two steam injection embodiments have been disclosed which utilize the 20% oxygen gas mixture C', including an excess oxygen embodiment and a stoichiometric embodiment, it is understood that numerous different embodiments of the steam injection power system 200 could be utilized having varying degrees of excess oxygen ranging from the excess oxygen present when air is utilized in a typical prior art gas turbine combustor 30 to the stoichiometric embodiment disclosed hereinabove. Each of these embodiments would include 20% oxygen within the gas mixture C'.

It is also conceivable that the gas mixture C' could be further modified by condensing a greater or lesser amount of the exhaust E' and/or by adding more oxygen to the exhaust E". Hence, gas mixtures other than the gas mixture C' can result once the oxygen has been added to the CO<sub>2</sub> enriched exhaust E".

Table 2 provides a comparison of the twelve quantifiable gas parameters utilized in Table 1 above. In Table 2 characteristics of air are compared to three different gas mixtures including the gas mixture C (Figure 2), the gas mixture C' (Figure 3) and an intermediate gas mixture with gas constituencies within this intermediate gas mixture being approximately an average between the gas mixture C and the gas mixture C'. This intermediate gas mixture illustrates how numerous different gas mixtures can be formulated which vary between the specific gas mixtures C and C' disclosed in detail above, while still mimicking closely the characteristics of air. This intermediate gas mixture is considered to be particularly desirable for use in compressors which are sensitive to small changes in gas characteristics, in that the intermediate gas mixture more closely mimics the characteristics of air.

30 TABLE 2.

<u>Parameter</u>	<u>Gas Mixture1</u>	<u>Gas Mixture2</u>	<u>Gas Mixture3</u>	<u>Air</u>
Gas Constant - R, ft <sup>3</sup> /°F	56.6	51.5	45.7	53.3
Specific Heat - Btu/lb°F	0.336	0.309	0.279	0.250
Specific Heat Ratio ( $\gamma$ )	1.28	1.27	1.27	1.38
Typical Pressure Ratio	30	30	30	30
Inlet Temperature (T1), °F	200	180	160	80
Outlet Temperature (T2), °F(4)	1058	979	934	1065
Inlet Pressure (P1), psia	17.4	16.1	14.9	14.7



1041.001

	Outlet Pressure, psia	522	483	447	441
	Inlet Density, lb/ft <sup>3</sup>	0.0671	0.0703	0.0757	0.0735
	Outlet Density, lb/ft <sup>3</sup>	0.875	0.939	1.010	0.781
	Weight Flow Ratio - (Inlet Cond)(5)	1.00	1.00	1.00	1.00
5	Speed Ratio, N/NAIR(6)	0.99	0.916	0.849	1.00

(1) Values for the gas mixture C from example 1 above including 13% oxygen, 39% steam and 48% CO<sub>2</sub>, calculated by adding known values for each gas constituent multiplied by its percentage of the gas mixture.

(2) Intermediate gas mixture including 16% oxygen, 28% steam and 56% carbon dioxide.

10 (3) Gas mixture C' from example 2 above, including 20% oxygen, 17% steam and 63% carbon dioxide.

(4) Compressor efficiency ~ 85%.

(5)  $P_1 \cdot \sqrt{\gamma R T_1} = \text{CONSTANT}$  (where R is the gas constant)

(6)  $N / \sqrt{\gamma R T_1} = \text{CONSTANT}$

15

Specifically, the exhaust mixture of the turbine, assuming no excess oxygen, would typically have between about fifty percent and sixty percent CO<sub>2</sub> by weight and between forty percent and fifty percent H<sub>2</sub>O by weight. Most preferably, the exhaust mixture would be about fifty-five percent CO<sub>2</sub> and about forty-five percent H<sub>2</sub>O. If the system operates with excess oxygen, these

20

The oxidizer mixture could be varied widely to accommodate direct steam injection (hence reducing a water vapor portion of the oxidizer mixture) and to provide excess oxygen or to provide better matching of air characteristics for optimal compressor performance. Overall by weight, the carbon dioxide could vary from about thirty percent or forty percent to about seventy percent or

25

eighty percent. The water vapor could vary from about ten percent or twenty percent to about forty-five percent or fifty percent. The oxygen could vary from about ten percent or fifteen percent to about twenty-five percent or thirty percent. Narrower constituent ranges of about five percent or ten percent surrounding the optimal formulations cited as examples would tend to provide air mimicking characteristics and performance closer to the optimal formulations.

30

In use and operation, and with particular reference to Figures 1-3, details of the retrofitting of a combined cycle gas turbine power system 10 with components to make it into the semi-closed steam injection power system 200 of this invention are described. The semi-closed steam injection power system 200 of this invention can of course be constructed originally from separate components as shown in Figure 3. However, the steam injection power system 200 utilizes each

35

of the major components of a combined cycle gas turbine 10 (other than the steam turbine and generator assembly 60), so that retrofitting of the combined cycle gas turbine 10 can be accomplished in a straightforward manner.

Specifically, the divider 110 is coupled to the existing exit 54 of the heat recovery steam

1041.001

generator 50 and configured so that the separation duct 130 and the condenser 140 extend from one portion of the divider 110 and the return duct 120 extends from another portion of the divider 110. The return duct 120 includes a partial condenser 210 therein. The partial condenser 210 receives cooling fluid and causes a portion of the steam passing through the return duct 120 to be condensed into water which exits the partial condenser 210 along the condensate outlet 214 and water return line 216.

A pump 220 is provided so that the water can be pumped through the heat recovery steam generator 50. The steam turbine and generator assembly 60 of the combined cycle gas turbine power system 10 are removed and the steam heating circuit 56 within the heat recovery steam generator 50 is now utilized to generate steam with the water from the pump 220 and the partial condenser 210. Steam is delivered from the steam generation circuit 255 within the heat recovery steam generator 50 and directed to the steam injection port 233 of the combustor 30. Hence, the combustor 30 is modified appropriately to include this steam injection port 233. The return duct 120 returns the CO<sub>2</sub>-enriched exhaust E" back to the inlet 22 of the compressor 20. The oxygen duct 150 adds oxygen into the return duct 120 to mix with the exhaust E" to form the gas mixture C'. An air separation unit would typically also be provided, which would be coupled to the oxygen duct 150.

If the combined cycle gas turbine power system 10 is already configured to be a steam injection power system, the combustor 30 will already include the appropriate steam injection port 233. In such a configuration, removal of the steam turbine and generator assembly 60 would not be required. Rather, the water return line 216 from the partial condenser 210 would merely be coupled to the feed water inlet of the combined cycle gas turbine power system 10. Hence, either a steam injection open Brayton cycle gas turbine or the combined cycle gas turbine 10 can be retrofitted into a semi-closed steam injection power system 200 with zero emissions.

With particular reference to Figure 5, details of an air startup mode semi-closed Brayton cycle power system 259 is shown. The semi-closed Brayton cycle power systems 100, 200 of Figures 2 and 3 depict a steady state operating mode for these systems after the diluent mixture of the working fluid is in the form of carbon dioxide and water. While it would be possible to provide a carbon dioxide and water vapor diluent startup chamber so that the proper carbon dioxide and water vapor diluent would be provided immediately upon startup of the system 100, 200, system 259 of Figure 5 depicts an alternative where the system 259 initially starts up with air forming the oxidizer mixture for startup convenience.

Specifically, a portion of the return duct upstream of the inlet 22 of the compressor 20 includes a valve preferably in the form of a series of inlet louvers 260. When these inlet louvers 260 are open, the air can pass directly into the return duct 120 upstream of the compressor 20.

A second valve, preferably in the form of a set of early outlet louvers 270, could be provided downstream of the output 44 of the turbine 40 so that the exhaust could be released from the system 259 during startup. A third late outlet louver set 280 could be provided downstream of the

1041.001

heat recovery steam generator 50. During startup, the inlet louvers 260 would be opened and the early outlet louvers 270 would be opened. The compressor 20, combustor 30 and turbine 40 would then be fired up utilizing known gas turbine startup techniques. Once the compressor 20, combustor 30 and turbine 40 are all operational, the early outlet louvers 270 can be closed and the late outlet louvers 280 opened. In this way, the high temperature exhaust products of combustion are routed through the heat recovery steam generator 50 and the bottoming cycle including the steam turbine generator 60 (Figure 2) can be fired up with the heat from the heat recovery steam generator 50. Alternatively, the heat recovery steam generator 50 can commence preheating of water/steam for injection into the combustor 30 according to the steam injection system 200 (Figure 3).

Finally, the air separation unit or other gaseous oxygen supply system can commence delivery of oxygen through the oxygen duct 150 into the return line 120. The late outlet louvers 280 can be closed and the inlet louvers 260 closed so that the recirculating exhaust products of combustion and the oxygen in the oxygen duct 150 can provide the oxidizer upstream of the compressor 20 for continuing operation of the system 250 as a semi-closed Brayton cycle in its optimum form as shown in Figures 2 and 3. If necessary, additional louvers or other valves can also be located in the return duct 120 and/or the oxygen duct 150 to which would close when the air inlet louvers 260 are opened and open when the air inlet louvers 260 are closed. While nitrogen in the air would not immediately leave the system 259 it would gradually be diverted into the gas outlet 142 of the condenser 140 until no nitrogen remains.

Another advantage of the startup mode variation on the semi-closed Brayton cycle power system 259 is that the system 259 can alternate between operation with air and operation in a semi-closed mode with recycled products of combustion and oxygen entering the compressor 20. Such flexibility allows the return duct 120 and/or the oxygen duct 150 and associated oxygen supply equipment to be taken off-line if necessary. For instance, maintenance or a failure in the semi-closed Brayton cycle subsystems could result in conversion to operation with air as the oxidizer, without influencing power output from the system 259 and without requiring that the power system 259 be taken "off-line." Additionally, should the power system 259 be located in a region with relatively lower environmental sensitivity to air pollution and if a need for increased power output from the overall power system 259 is occasionally required, the system could shift to air operation for enhanced power output in a polluting mode when acceptable.

With particular reference to Figures 6-10, five different advanced variations on the semi-closed Brayton cycle power plant are described. These advanced variations are briefly described overall including the many various subsystems which are identical to the systems 100, 200 of Figures 2 and 3 above. Additional information is provided regarding how each of these advanced systems of Figures 6-10 vary from the systems 100, 200 of Figures 2 and 3 above.

With particular reference to Figure 6, details of the semi-closed Brayton cycle power system 300 featuring use of an ion transfer membrane air separation unit 330 are described. Cryogenic air

1041.001

separation is the current standard method for producing large daily tonnages of relatively pure oxygen that are needed for semi-closed Brayton cycle power systems 100, 200 (Figures 2 and 3). The cryogenic process represents a substantially mature technology that has advanced far along the classic "learning curve." The largest single train air separation units can now product  
 5 approximately 3,500 tons per day (TPD) of oxygen, a quantity sufficient to support a power plant having roughly 200 Mwe output. Larger single train units (>5,000 TPD) appear possible and do offer some modest improvement in economy-of-scale. Continued, although incremental, improvements in the technology, performance, and cost of some major components of air separation units such as specialty heat exchangers and compressors can also be expected. Some  
 10 cost improvements will continue in the cryogenic air separation industry but the trend lines for the learning curve and economy-of-scale benefits predict smaller percentage improvements in the future. Thus, a major reduction in oxygen costs will require the development of an advanced air separation technology. One advanced air separation technology is based on ion transport membrane (ITMs). ITMs are solid materials that produce oxygen by the passage of oxygen ions  
 15 through ceramic materials containing selected inorganic oxide materials. They operate at high temperatures in direct contrast to the cryogenic technology, generally over 900°F. Oxygen molecules are converted to oxygen ions at the surface of the membrane and are transported through the membrane by an applied voltage or a pressure differential, reforming to oxygen molecules at the other membrane surface.

20 Government and industry are currently developing the ITM air separation technology. This technology has the potential to reduce the energy consumed to produce oxygen by fifty percent and the capital cost by twenty-five percent over conventional cryogenic air fractionation processes. An important benefit of the ITM technology for large-scale oxygen production is the ability to integrate it with gas or advanced steam turbine systems, as illustrated in Figure 6, to provide pressurized air  
 25 and heat to operate the system.

The semi-closed Brayton cycle gas turbine system 800 (Figure 6) described below recirculates a mixture of carbon dioxide (CO<sub>2</sub>) and steam (H<sub>2</sub>O), called Cgas, at mixture ratios that approximate air properties. By using such gaseous mixtures, existing gas turbine compressors and turbines can be used with no significant design modification. A comparison of these gas  
 30 properties with those of air is shown in Table 1 above.

Figure 6 illustrates this concept with a non-polluting efficient electrical energy power plant 300, comprising an air induction subsystem 310, air preheating subsystem 320, an ion membrane air separation subsystem 330, a gas compression subsystem 340, a gas generation subsystem 350, a gas turbine drive subsystem 360, an electric energy generation subsystem 370, a heat recovery  
 35 subsystem 380, an H<sub>2</sub>O/CO<sub>2</sub> separation subsystem 390 and a gas separation/water management subsystem 395.

The air induction subsystem 310 feeds and controls the air supply to generate the oxygen needed by the plant 300. The air is heated to approximately 900°F with low energy steam/CO<sub>2</sub>

1041.001

mixture, from the exhaust of the gas turbine drive subsystem 360 in the heat exchanger of subsystem 320. The warm air then enters the ion membrane plant 330 where oxygen/nitrogen separation takes place. The nitrogen is collected, cooled, and sold as a byproduct or discharged back to the atmosphere. The nearly pure oxygen is collected, cooled and directed to the gas compression subsystem 340 for compression along with the carbon dioxide and water vapor from the return duct downstream of the turbine output.

Before the nitrogen is released or collected, its excess heat is preferably used to preheat incoming air and to preheat water between the partial condenser 395 and the combustor 350. Similarly, excess heat in the oxygen is used to preheat incoming air and water downstream of the partial condenser 395.

The compressed gas exiting subsystem 340 is then directed to the gas generation subsystem 350. In the gas generation subsystem 350 fuel and oxidizer from the compressor 340, and optionally recirculating heated water (steam) from subsystem 380 are mixed and combust at a near stoichiometric mixture ratio to generate the drive gas of approximately fifty-five percent CO<sub>2</sub> and forty-five percent H<sub>2</sub>O for the gas turbine subsystem 360. The turbine of subsystem 360 then drives the generator of subsystem 370 to produce electricity. The gas exiting the turbine from subsystem 360 then enters the heat recovery steam generation subsystem 380 where recirculating water is heated for injection into the gas generation subsystem 350 and for preheating the air in subsystem 320. The turbine exhaust gases of fifty-five percent CO<sub>2</sub> and forty-five percent H<sub>2</sub>O exiting the heat recovery subsystem 380 are directed to the condensers of subsystem 390 and 395.

The excess gas of CO<sub>2</sub>/H<sub>2</sub>O enters the condenser of subsystem 390 where the steam condenses into water and separates from the CO<sub>2</sub>. The CO<sub>2</sub> is pumped from the condenser of subsystem 390 can be used as makeup water for other subsystems. The remainder of the gas from subsystem 380 enters the partial condenser of subsystem 395 where a portion of the steam is condensed and the remaining portion of the steam and CO<sub>2</sub> is returned to the compressor of the subsystem 340 where it is mixed with oxygen coming from subsystem 330. The condensed water from subsystem 395 is directed to the heat recovery subsystem 380 where heat from the turbine exhaust of subsystem 360 is recovered and the recirculated heated water (steam) is injected into the gas generation subsystem 350. The cooling water for subsystem 395 rejects the heat absorbed from the steam/CO<sub>2</sub> gases.

The principle features of power plant 300 include the integration of the ion transfer membrane (ITM) air separation unit (ASU) with a high efficiency gas turbine subsystem 360 to produce low cost electricity and to permit CO<sub>2</sub> separation, conditioning and preparation for sequestration into underground or undersea sequestration sites with the lowest cost energy penalty possible. The recirculation of steam and CO<sub>2</sub> at mixture ratios that provide air-like characteristics, permit the use of existing gas turbines and thus eliminate the cost for new hardware development. Also, the condensation of some of the recirculating steam into water and reheating it with the turbine exhaust gases for injection as steam into the turbine has the beneficial features of: (1) reducing compressor

1041.001

work; (2) increasing turbine power; and (3) eliminating the need for a bottoming cycle steam turbine, without sacrificing efficiency. The later benefit reduces power plant cost and complexity, and increases power plant reliability due to fewer number of subsystems. All these features are achieved with zero emissions and permit power generation using the most abundant energy available, fossil fuels, without the harmful discharge of pollutants or greenhouse gases to the atmosphere.

Integration of the system 300 with the ion transfer membrane air separation unit 330 enhances the efficiency of operation of the ion transfer membrane air separation unit 330. Specifically, because excess heat from the output of the turbine 360 is used to heat the air in the preheating subsystem 320, a separate heater for the ion transfer membrane air separation unit 330 is not required. In essence, waste heat from the turbine 360 is beneficially used to provide the necessary heat for operation of the ion transfer membrane air separation unit 330. The ion transfer membrane air separation unit 330 is additionally integrated into the overall system 300 by utilizing the excess heat remaining in the oxygen and nitrogen exiting the ion transfer membrane to preheat air entering ion transfer membrane air separation unit 330 and to also preheat water which requires heating to boil into steam before injection into the combustor 350.

With particular reference to Figure 7, a semi-closed Brayton combined cycle power plant 400 with an ion transfer membrane oxygen plant variation on the system 300 of Figure 8 is described which substitutes steam injection as shown in Figures 3 and 5 with a heat recovery steam generator 480 feeding a steam turbine and generator 410 in a bottoming cycle similar to that provided in the system 100 of Figure 2.

For simplicity, only features of the system 400 of Figure 7 which are unique from the system 300 of Figure 6 are described in detail. Particularly, a bottoming cycle similar to that described above with Figure 2 is fed with steam from a heat recovery steam generator 480. This steam is passed to a steam turbine and generator 410, preferably for this embodiment of a typical Rankine cycle variety. High temperature steam is removed either before the steam enters the steam turbine and generator 410 or steam at an intermediate stage within the turbine, so that high temperature steam (approximately 1,000°F) is fed to the ion transfer membrane air separation unit to preheat incoming air at the heat exchanger 420. This diverted is then returned to the steam turbine and generator 410 to do further work within the steam turbine. The steam exiting the steam turbine and generator 410 is then typically routed through a condenser 430 and then through a condensate pump 440.

Before the water is fed back to the heat recovery steam generator 480, the water is preferably preheated by passing through heat exchangers 450 and 460 which preheat the water with heat from the nitrogen and oxygen exiting the ion transfer membrane air separation unit of the system 400. The preheated water/steam is then fed to the heat recovery steam generator 480. If the water is still a liquid it would typically be passed through feed water pump 470. Alternatively, the condensate pump 440 could pressurize the water to the extent necessary for operation within the steam turbine

1041.001

and generator 410. The remainder of the system 400 operates in a manner similar to that disclosed with regard to the system 300 of Figure 8. However, because the heat recovery steam generator 480 utilizes the excess heat from the gas turbine exhaust, steam is not injected into the combustor as is the case with the system 300 of Figure 6.

5 With particular reference to Figure 8, a semi-closed Brayton combined cycle power plant 500 is disclosed which has both a bottoming cycle fed by a heat recovery steam generator and steam injection into the combustor. With the system 500, the cycle can operate with steam injection into the combustor of the gas turbine or with steam being generated for a bottoming cycle steam turbine and generator similar to that shown in Figure 7, or both to varying different degrees. The system  
10 500 of Figure 8 thus provides both the benefits of the steam injection system 300 of Figure 6 and the combined cycle variation 400 of Figure 7.

With particular reference to Figure 9, the semi-closed Brayton combined cycle power system 600 is disclosed similar to the system 500 of Figure 8 except with supplementary heating within the bottoming cycle of the combined cycle. Only features which differ from the previous systems  
15 300, 400, 500 of Figures 6-8 are described in detail. Rather than merely providing heating within the heat recovery steam generator 480 of the system 400 of Figure 7, the system 600 includes a combustor/gas generator 610 between the heat recovery steam generator and the turbine and generator 630. Preferably, the turbine and generator 630 are configured as a high temperature steam turbine and generator. The combustor 610 can be similar to the combustor of the gas turbine  
20 (i.e. combustor 30 of Figure 2). Preferably, however, the diluent is not mixed with the oxygen entering the combustor/gas generator 610, and is in the form of substantially pure water, rather than a mixture of water and carbon dioxide. Such a gas generator could be similar to that disclosed in United States Patent Nos. 6,206,684; 5,969,786 and 5,956,937, each of which patents are incorporated herein by reference.

25 As with the system 500 of Figure 8, some steam is diverted to preheat air entering the ion transfer membrane air separation unit. A portion of the oxygen from the ion transfer membrane air separation unit is routed to the combustor/gas generator 610 through an oxygen conditioning system 620. This oxygen conditioning system 620 receives low pressure oxygen which would typically be liquefied, pumped to a high pressure and reheated to ambient temperature so that the  
30 oxygen could be pressurized as efficiently as possible before delivery to the combustor/gas generator 610.

The exhaust of the high temperature steam turbine engine 630 would be a mixture of steam and carbon dioxide. Condenser 640 would separate the steam from the carbon dioxide. The carbon dioxide could be collected at 650 for storage, industrial use or injection into terrestrial formations  
35 such as partially or completely depleted oil wells, deep ocean locations or other sequestration sites. Water exiting the condenser 640 would be routed in a fashion similar to the water condensate of the system 500 of Figure 8. While this system 600 is shown without steam injection into the combustor of the gas turbine, features of the system 300 of Figure 6 could be added to the system

1041.001

600 in a fashion similar to that depicted with the system 500 of Figure 8.

With particular reference to Figure 10, details of a semi-closed Brayton combined cycle power plant 700 integrated with an ion transfer membrane air separation unit and featuring intercooling, reheating and supplementary heating is described. The semi-closed combined cycle 700 with  
 5 supplementary heating, compressor interstage cooling and turbine interstage reheating described below recirculates a mixture of carbon dioxide (CO<sub>2</sub>) and steam (H<sub>2</sub>O), called Cgas, at mixture ratios that approximate air properties. By using such gaseous mixtures, existing gas turbine compressors and turbines can be used with no significant design modifications. A comparison of these gas properties with those of air is shown in Table 1. Also, the addition of a steam turbine to  
 10 recovery the residual exhaust heat of the gas turbine and the gas generator to boost the steam to maximum operating temperatures, increases the power and efficiency of the combined-cycle to its maximum capabilities.

Figure 10 illustrates this concept with a non-polluting efficient electrical energy power plant 700, comprising an air induction subsystem 710, air preheating subsystem 720, an ion membrane  
 15 air separation subsystem 730, a low pressure gas compression subsystem 740, a high pressure gas compression system 750, with gas intercooling between stages, a combustor gas generation subsystem 760, a high pressure gas turbine drive subsystem 770, a gas reheating combustor 780, a low pressure gas drive subsystem 790, an electric energy generation subsystem 810, a heat recovery subsystem 820, a H<sub>2</sub>O/CO<sub>2</sub> separation subsystem 830, a gas separation/water  
 20 management subsystem 840, a heat recovery steam generator subsystem 850, a supplementary heating gas generator subsystem 860, a high pressure, high temperature steam turbine drive subsystem 870, and a condenser H<sub>2</sub>O/CO<sub>2</sub> water management subsystem 880.

The air induction subsystem 710 feeds and controls the air supply to generate the oxygen needed by the plant 700. The air is heated to approximately 900°F with low energy steam/CO<sub>2</sub>  
 25 mixture, preferably from steam of subsystem 870, in the heat exchanger of subsystem 720. The warm air then enters the ion membrane plant 730 where oxygen/nitrogen separation takes place. The nitrogen is collected, cooled, and sold as a byproduct or discharged back to the atmosphere. The nearly pure oxygen is collected, cooled and directed along with carbon dioxide and water vapor to the lower pressure gas compression subsystem 740 and high pressure gas compression  
 30 subsystem 750. The compressed gas exiting subsystem 750 is then directed to the gas generation subsystem 760.

In the combustor gas generation subsystem 760, fuel and recirculating heated water (steam) from the subsystem 820 are mixed and combust near stoichiometric mixture ratio to generate the drive gas of approximately fifty-five percent CO<sub>2</sub> and forty-five percent H<sub>2</sub>O for the high pressure  
 35 gas turbine subsystem 770. The turbine exhaust gas from subsystem 770 then enters the combustor subsystem 780 where additional fuel is added to the oxidizer rich gas to reheat the gas prior to entering the low pressure turbine of subsystem 790. The turbines of subsystem 780 and 790 then drive the generator of subsystem 810 to produce electricity and subsystem compressors



1041.001

740 and 750.

The gas exiting the turbine from subsystem 790 then enters the heat recovery steam generation subsystem 820 where recirculating water is heated for injection into the gas generation subsystem 760. The turbine exhaust gases of fifty-five percent CO<sub>2</sub> and forty-five percent H<sub>2</sub>O exiting the heat recovery subsystem 820 are directed to the condensers of subsystems 830 and 840. The excess gas of CO<sub>2</sub>/H<sub>2</sub>O enters the condenser of subsystem 830 where the steam condenses into water and separates from the CO<sub>2</sub>. The CO<sub>2</sub> is pumped from the condenser of subsystem 830 and processed for sale as a byproduct, discharged to the atmosphere or prepared for sequestration into underground or deep ocean disposal sites. The excess water from subsystem 830 can be used as makeup water for other subsystems. The remainder of the gas from subsystem 820 enters the condenser of subsystem 840 where a portion of the steam is condensed and the remaining portion of steam and CO<sub>2</sub> is returned to the compressor of subsystem 740 where it is mixed with oxygen coming from subsystem 730.

The condensed water from subsystem 840 is directed to the heat recovery subsystem 820 where heat from the turbine exhaust of subsystem 790 is recovered and the recirculated heated water (steam) is injected into the gas generation subsystem 760. Exhaust gases from the turbine of subsystem 790 are also used to heat the steam in the heat recovery steam generator (HRSG) of subsystem 850.

The gas generator of subsystem 860 boosts the steam temperature to its maximum value and drives the steam turbine and generator of subsystem 870 in a manner similar to that described above with system 600 of Figure 9. The exhaust steam from subsystem 870 is condensed and recirculated by the condensate and feed water pumps of the water management system 880. The condensed water from the water management system 880 is also used to cool the oxygen and nitrogen gases, generated by the ion transfer membranes (ITM) of the air separation unit (ASU) of subsystem 730, to near ambient temperatures, in turn preheating the water before return to the gas generator 860.

With particular reference to Figure 11, details of a unique retrofit of a gas turbine to enhance power output from the gas turbine, generate CO<sub>2</sub> efficiently with the gas turbine, and not increase the environmental pollutants generated by the gas turbine is described. This gas turbine combined cycle system 900 is similar to the gas turbine 10 described in Figure 1 except as specifically described herein.

Specifically, the heat recovery steam generator 910 feeds high temperature steam to a gas generator 920 similar to the gas generator 860 of the system 700 described in Figure 10. This gas generator additionally is fed methane or another hydrocarbon fuel along with oxygen from an air separation plant 930 or some other oxygen source. The gas generator 920 produces high temperature and high pressure combustion products including steam and carbon dioxide along with the steam from the heat recovery steam generator 910 to a steam turbine and generator 940.

After power is produced by the steam turbine and generator 940, the combustion products

1041.001

including steam and carbon dioxide are passed on to a condenser 950. The condenser removes excess water and recycles water to the heat recovery steam generator 910. The condenser also separates gaseous CO<sub>2</sub> for collection and further industrial use or safe disposal. This system 900 causes a standard gas turbine combined cycle 10 to generate a pure stream of carbon dioxide and generate additional power from the steam turbine and generator 940 without altering any of the subsystems in the existing power gas turbine combined cycle 10 in any fashion. This system 900 does require the addition of the air separation plant 930 or other oxygen supply along with the associated bottoming cycle equipment.

This disclosure is provided to reveal a preferred embodiment of the invention and a best mode for practicing the invention. Having thus described the invention in this way, it should be apparent that various different modifications can be made to the preferred embodiment without departing from the scope and spirit of this disclosure. When structures are identified as a means to perform a function, the identification is intended to include all structures which can perform the function specified. No claim language other than that explicitly accompanied by the word "means" should be construed as intending to invoke interpretation of that language as "means plus function" language according to section 112 of Title 35 of the United States code.

### **Industrial Applicability**

20

This invention exhibits industrial applicability in that it provides a Brayton cycle gas turbine power system which does not emit NO<sub>x</sub> or other pollutants, and which efficiently collects CO<sub>2</sub> for beneficial use or elimination.

Another object of the present invention is to provide a Brayton cycle gas turbine power system which recirculates a portion of the turbine exhaust for input into the compressor of the power system.

Another object of the present invention is to provide a process for modifying an open Brayton cycle gas turbine to function as a semi-closed Brayton cycle gas turbine power system which substantially eliminates emission of pollutants.

Another object of the present invention is to provide substantially nitrogen free air substitute working fluids which can operate within a Brayton cycle gas turbine without significantly altering the performance of the gas turbine and eliminate pollutant emissions from the gas turbine.

Another object of the present invention is to provide a power system which can efficiently generate power from the combustion of hydrocarbon fuels without emission of pollutants.

Another object of the present invention is to provide a semi-closed gas turbine power system with steam injection to enhance the power output and, efficiency of the power system.

In addition to the above objects, various other objects of this invention will be apparent from a careful reading of this specification including the detailed description contained herein below.

## CLAIMS

What is claimed is:

- 5     Claim 1 - A semi-closed Brayton cycle power generation system, comprising in combination:  
           a gas compressor having an inlet and an outlet;  
           a combustor downstream of said compressor, said combustor having a fuel port coupled  
 to a source of fuel, an oxidizer port coupled to said compressor outlet and an outlet port for  
 combustion products resulting from combustion of fuel from said source of fuel with oxidizer  
 10    from said oxidizer port;  
           a turbine downstream of said combustor, said turbine having an input coupled to said  
 combustor outlet port, an output for the combustion products entering said turbine at said input,  
 and a power output;  
           a return duct downstream of said turbine, said return duct receiving at least a portion of  
 15    the combustion products passing through said output of said turbine and extending to said inlet  
 of said compressor;  
           a gaseous oxygen duct coupled to a source of oxygen and coupled to said return duct in a  
 manner adding oxygen to the combustion products within said return duct; and  
           said gaseous oxygen duct located upstream of said gas compressor, such that the oxygen  
 20    from said gaseous oxygen duct enters said compressor inlet along with the combustion products.
- Claim 2 - The system of Claim 1 wherein a divider is located at least partially upstream of said  
 return duct and downstream of said turbine, said divider dividing a portion of the combustion  
 products passing through said output of said turbine into a separation duct separate from said  
 25    return duct.
- Claim 3 - The system of Claim 2 wherein said divider divides a homogeneous portion of the  
 combustion products into said separation duct, such that relative amounts of constituents of the  
 combustion products within said separation duct match relative amounts of constituents in said  
 30    return duct downstream of said divider.
- Claim 4 - The system of Claim 3 wherein said divider divides out at least about ten percent of  
 the combustion products passing through said output of said turbine into said separation duct.
- 35    Claim 5 -The system of Claim 2 wherein a condenser is located downstream of said separation  
 duct, said condenser including a gas outlet and a condensate outlet.

Claim 6 - The system of Claim 5 wherein at least a portion of gases exiting said condenser through said gas outlet enter a gas outlet compressor, said gas outlet compressor compressing the gases passing thereinto to a pressure sufficient to inject the gases into a terrestrial formation taken from the group of terrestrial formations including: underground fissures, deep ocean locations and at least partially depleted oil wells.

Claim 7 - The system of Claim 5 wherein said gas outlet includes an oxygen separator therein which separates at least a portion of oxygen passing through said gas outlet from at least some of the other gases within said gas outlet, and an excess oxygen return path leading from said oxygen separator to a location upstream of said gas compressor, such that said oxidizer port of said combustor can have excess oxygen delivered into said combustor compared to an amount of the fuel entering said combustor through said fuel port and the excess oxygen can either return through said return duct to said oxidizer port or through said oxygen separator of said gas outlet of said condenser to said oxidizer port and at least some of the excess oxygen in said system can remain in said system.

Claim 8 - The system of Claim 2 wherein said divider includes a flow rate control valve on said separation duct controlling an amount of combustion products passing through said separation duct at said divider.

Claim 9 - The system of Claim 8 wherein said flow rate control valve is pressure sensitive to maintain pressure within said return duct slightly greater than the pressure of the surrounding atmosphere.

Claim 10 - The system of Claim 1 wherein a heat recovery steam generator is located downstream of said output of said turbine and upstream of said return duct, said heat recovery steam generator transferring heat to a separate power generation system such that said semi-closed Brayton cycle power generation system with said separate power generation system is in the form of a combined cycle power generation system.

Claim 11 - The system of Claim 1 wherein a partial condenser is located between said output of said turbine and said inlet of said compressor, said partial condenser having a condensate water outlet for at least a portion of a water constituent of the combustion products, said condensate water outlet leading to said combustor along a path separate from said gas compressor, such that at least a portion of a water constituent of the combustion products

downstream of the output of the turbine bypasses the gas compressor and is routed directly to said combustor.

5 Claim 12 - The system of Claim 1 wherein the combustion products entering said turbine include carbon dioxide and water with a carbon dioxide percentage of the combined carbon dioxide and water portion of the combustion products being between about fifty percent and about sixty percent carbon dioxide by weight and a water percentage of the combined carbon dioxide and water portion of the combustion products being between about forty percent and about fifty percent water by weight.

10 Claim 13 - The system of Claim 12 wherein said carbon dioxide percentage is about fifty-five percent carbon dioxide by weight and said water percentage is about forty-five percent water by weight.

15 Claim 14 - The system of Claim 12 wherein the oxidizer from the oxidizer port of the combustor has the same constituent percentages as constituent percentage of a gas entering said gas compressor, the oxidizer including at least about ten percent oxygen by weight, between about ten percent and about forty-five percent steam by weight and between about forty percent and about seventy percent carbon dioxide by weight.

20 Claim 15 - The system of Claim 14 wherein said oxidizer includes about thirteen percent oxygen by weight, about thirty-nine percent steam by weight and about forty-eight percent carbon dioxide by weight.

25 Claim 16 - The system of Claim 14 wherein said oxidizer includes about sixteen percent oxygen by weight, about twenty-eight percent steam by weight and about fifty-six percent carbon dioxide by weight.

30 Claim 17 - The system of Claim 14 wherein said oxidizer includes about twenty percent oxygen by weight, about seventeen percent steam by weight and about sixty-three percent carbon dioxide by weight.

35 Claim 18 - The system of Claim 1 wherein said source of oxygen includes an air separation unit configured to separate at least a portion of oxygen within air surrounding the air separation unit and delivering the oxygen to said gaseous oxygen duct, at least a portion of power utilized by said air separation unit provided by said power output of said turbine.

Claim 19 - A method for modifying an open Brayton cycle gas turbine for use in a semi-closed Brayton cycle power generation system, including the steps of:

providing an open Brayton cycle gas turbine including:

5 a gas compressor having an inlet and an outlet;

a combustor downstream of the compressor, the combustor having a fuel port coupled to a source of fuel, an oxidizer port coupled to the compressor outlet and an outlet port for combustion products resulting from combustion of fuel from the source of fuel with oxidizer from the oxidizer port; and

10 a turbine downstream of the combustor, the turbine having an input coupled to the combustor outlet port, an output for the combustion products entering the turbine at the input, and a power output;

routing at least a portion of the combustion products passing through the output of the turbine to the inlet of the compressor; and

15 adding oxygen to the combustion products upstream of the inlet of the compressor, such that the oxygen enters the compressor along with the combustion products.

Claim 20 - The method of Claim 19 wherein said routing step includes the step of providing a return duct downstream of the turbine, the return duct receiving at least a portion of the combustion products passing through the output of the turbine and extending to the inlet of the compressor.

Claim 21 - The method of Claim 20 including the further step of dividing out a portion of the combustion products downstream of the turbine output into a separation duct separate from the return duct.

Claim 22 - The method of Claim 21 wherein said dividing step includes the step of keeping constituent percentages of the combustion products divided into the separation duct matching the constituent percentages of the combustion products remaining within the return duct.

Claim 23 - The method of Claim 21 wherein said dividing step divides at least ten percent of the combustion products leaving the output of the turbine into the separation duct.

Claim 24 - The method of Claim 19 including the further step of matching characteristics of a gas entering the compressor with characteristics of air.

Claim 25 - The method of Claim 24 wherein the gas entering the compressor includes between about ten percent and fifty percent steam by weight and between about thirty percent and eighty percent carbon dioxide by weight.

5 Claim 26 - The method of Claim 19 including the further step of separating at least a portion of a water constituent of the combustion products exiting the turbine through the output from remaining combustion products routed to the inlet of the compressor in said routing step; and  
 directing the separated water portion of said separating step to the combustor in a manner bypassing the compressor.

10

Claim 27 - The method of Claim 19 including the further step of passing the combustion products through a heat recovery steam generator between the output of the turbine and the inlet of the compressor.

15 Claim 28 - A kit for modifying an open Brayton cycle gas turbine for use in a semi-closed Brayton cycle power generation system, the open Brayton cycle gas turbine including a gas compressor having an inlet and an outlet, a combustor downstream of said compressor, said combustor having a fuel port coupled to a source of fuel, an oxidizer port coupled to said compressor outlet and an outlet port for combustion products resulting from combustion of fuel  
 20 from said source of fuel with oxidizer from said oxidizer port, and a turbine downstream of said combustor, said turbine having an input coupled to said combustor outlet port, an output for the combustion products entering said turbine at said input, and a power output, the kit comprising in combination:

a divider downstream of said turbine, said divider having a separation duct and a return  
 25 duct, at least a portion of the combustion products entering said divider diverted into said separation duct and at least a portion of the combustion products entering said divider directed into said return duct;

said return duct downstream of said divider, said return duct receiving at least a portion  
 of the combustion products passing through said divider and extending to said inlet of said  
 30 compressor;

a gaseous oxygen duct coupled to a source of oxygen and coupled to said return duct in a manner adding oxygen to the combustion products within said return duct;

an air separation unit configured to separate at least a portion of oxygen within air surrounding the system to provide said source of oxygen; and

35 said gaseous oxygen duct located upstream of said gas compressor and downstream of

said divider, such that the oxygen from said gaseous oxygen duct enters said compressor inlet along with the combustion products.

5 Claim 29 - The kit of Claim 28 wherein said separation duct leads to a condenser, said condenser including a gas outlet and a condensate outlet.

10 Claim 30 - The kit of Claim 29 wherein said gas outlet includes an oxygen separator thereon and an oxygen recirculation line extending between said oxygen separator and a location upstream of said gas compressor, such that any excess oxygen in the combustion products passing through said separator duct can be captured by said oxygen separator and recirculated through said compressor and to said combustor for use in generating the combustion products.

15 Claim 31 - The kit of Claim 29 wherein said divider includes a control valve, said control valve adjustable to control a flow rate of combustion products passing through said separation duct and said return duct.

20 Claim 32 - The kit of claim 28 wherein a partial condenser is located between said output of said turbine and said inlet of said gas compressor, said partial condenser having a condensate water outlet for at least a portion of a water constituent of the combustion products, said condensate water outlet leading to said combustor along a path separate from said gas compressor, such that at least a portion of a water constituent of the combustion products downstream of the output of the turbine bypasses the gas compressor and is routed directly to said combustor.

25 Claim 33 - A semi-closed Brayton cycle power generation system, comprising in combination:  
 a gas compressor having an inlet and an outlet;  
 a combustor downstream of said compressor, said combustor having a fuel port coupled to a source of fuel, an oxidizer port coupled to said compressor outlet and an outlet port for combustion products resulting from combustion of fuel from said source of fuel with oxidizer  
 30 from said oxidizer port;  
 a turbine downstream of said combustor, said turbine having an input coupled to said combustor outlet port, an output for the combustion products entering said turbine at said input, and a power output;  
 a partial condenser downstream of said turbine output and upstream of said gas  
 35 compressor inlet, said partial condenser condensing at least a portion of a water constituent of the combustion products, said partial condenser having a condensed water outlet;



an injection line downstream of said condensed water outlet and upstream of said combustor, said injection line bypassing said gas compressor; and

a gaseous oxygen duct coupled to a source of oxygen and a location upstream of said gas compressor, such that the oxygen from said gaseous oxygen duct enters the compressor inlet along with at least a portion of the combustion products passing through said partial condenser.

Claim 34 - The system of Claim 33 wherein a return duct extends between said combustion products output of said turbine and said inlet of said gas compressor, said return duct routing at least a portion of the combustion products passing through said output of said turbine back to said inlet of said gas compressor.

Claim 35 - The system of Claim 34 wherein said partial condenser is located along a portion of said return duct such that at least a portion of the combustion products pass through both said return duct and said partial condenser as the combustion products pass from said output of said turbine to said inlet of said gas compressor.

Claim 36 - The system of Claim 34 wherein said partial condenser is located parallel to and at least partially separate from said return duct, such that only a portion of the combustion products exiting said output of said turbine pass through said partial condenser before continuing on to said inlet of said gas compressor.

Claim 37 - The system of Claim 33 wherein said gaseous oxygen duct delivers at least a portion of the oxygen from said source of oxygen to a location upstream of said partial condenser.

Claim 38 - The system of Claim 33 wherein said gaseous oxygen duct delivers at least a portion of the oxygen from said source of oxygen to a location downstream of said partial condenser.

Claim 39 - The system of Claim 33 wherein said combustor includes a water injection port, said injection line coupled to said water injection port such that water entering said injection line from said partial condenser is routed to said combustor through said water injection port.

Claim 40 - The system of Claim 39 wherein said injection line includes a pump for enhancing a pressure of water within said injection line and a heater for heating the water within said injection line into steam before delivering the water in the form of steam to said water injection

port.

Claim 41 - The system of Claim 40 wherein said heater on said injection line is a heat recovery steam generator receiving heat from combustion products exiting said output of said turbine.

5

Claim 42 - The system of Claim 32 wherein a divider is located downstream of said output of said turbine and upstream of said gas compressor, said divider routing at least a portion of the combustion products passing through said output of said turbine to a separation duct leading at least a portion of the combustion products away from said gas compressor.

10

Claim 43 - The system of Claim 42 wherein a condenser is located downstream of said separation duct, said condenser including a condensate outlet, said condensate outlet at least partially coupled to said combustor along a path bypassing said gas compressor.

15

Claim 44 - The system of Claim 33 wherein said partial condenser is configured to remove sufficient water from the combustion products and the gaseous oxygen duct adds sufficient oxygen upstream of said inlet of said gas compressor that a gas entering said inlet of said compressor includes between about ten percent and about thirty percent oxygen by weight, between about ten percent and fifty percent water by weight and between about forty percent and eighty percent carbon dioxide by weight.

20

Claim 45 - The system of Claim 44 wherein said partial condenser and said gaseous oxygen duct are configured to cause the gas entering said inlet of said compressor to include between about sixty percent carbon dioxide and about sixty-five percent carbon dioxide by weight, between about fifteen percent and about twenty percent water by weight and between about fifteen percent and about twenty five percent oxygen by weight.

25

Claim 46 - A method for modifying an open Brayton cycle gas turbine with steam injection so that it can be used in a semi-closed Brayton cycle power generation system, including the steps of:

30

providing an open Brayton cycle gas turbine with steam injection including:

a gas compressor having an inlet and an outlet;

a combustor downstream of the compressor, the combustor having a fuel port coupled to a source of fuel, an oxidizer port coupled to the compressor outlet, a steam port coupled to a source of steam and an outlet port for combustion products resulting from

35

combustion of fuel from the source of fuel with oxidizer from the oxidizer port; and

a turbine downstream of the combustor, the turbine having an input coupled to the combustor outlet port, an output for the combustion products entering the turbine at the input, and a power output;

5 routing at least a portion of the combustion products passing through the output of the turbine to the inlet of the compressor; and

adding oxygen to the combustion products upstream of the inlet of the compressor, such that the oxygen enters the compressor along with the combustion products.

10 Claim 47 - The method of Claim 46 including the further step of condensing at least a portion of a water constituent of the combustion products;

boiling at least a portion of the water condensed during said condensing step; and

feeding at least a portion of the boiled water from said boiling step to the steam port of the combustor.

15

Claim 48 - The method of Claim 47 wherein said boiling step includes the step of pumping the water condensed during said condensing step to a higher pressure and heating the water condensed during said condensing step with heat from the combustion products exiting the output of the turbine.

20

Claim 49 - The method of Claim 47 including the further step of dividing a portion of the combustion products exiting the output of the turbine to a separation duct, said condensing step occurring with the combustion products routed through the separation duct.

25 Claim 50 - The method of Claim 47 including the further step of interposing a partial condenser between the combustion products output of the turbine and the inlet of the compressor so that at least a portion of the combustion products pass through the partial condenser during the routing step, the partial condenser including a condensate outlet leading to the steam port of the combustor along a path bypassing the gas compressor.

30

Claim 51 - The method of Claim 50 including the step of fashioning a gas mixture entering the inlet of the gas compressor to include between about forty percent and about eighty percent carbon dioxide by weight, between about ten percent and about fifty percent water by weight and between about ten percent and about thirty percent oxygen by weight.

Claim 52 - The method of Claim 51 wherein said fashioning step includes the step of fashioning the gas mixture entering the inlet of the gas compressor to include about sixty-three percent carbon dioxide by weight, about seventeen percent water by weight and about twenty  
5 percent oxygen by weight.

Claim 53 - The method of Claim 46 wherein said adding step includes the step of separating at least a portion of oxygen within air surrounding the power generation system.

10 Claim 54 - The method of Claim 53 wherein said adding step includes the further step of powering an air separation unit utilized in said separating step of said adding step at least partially with power from the power output of the turbine.

Claim 55 - A kit for modifying an open Brayton cycle gas turbine with steam injection so that  
15 it can be used in a semi-closed Brayton cycle power generation system, the open Brayton cycle gas turbine with steam injection including a gas compressor having an inlet and an outlet, a combustor downstream of said compressor, said combustor having a fuel port coupled to a source of fuel, an oxidizer port coupled to said compressor outlet, a steam port coupled to a source of steam and an outlet port for combustion products resulting from combustion of fuel  
20 from said source of fuel with oxidizer from said oxidizer port, and a turbine downstream of said combustor, said turbine having an input coupled to said combustor outlet port, an output for the combustion products entering said turbine at said input, and a power output, the kit comprising in combination:

a return duct downstream of said turbine, said return duct receiving at least a portion of  
25 the combustion products passing through said output of said turbine and extending to said inlet of said compressor;

a gaseous oxygen duct coupled to a source of oxygen and coupled to said return duct in a manner adding oxygen to the combustion products within said return duct; and

said gaseous oxygen duct located upstream of said gas compressor, such that the oxygen  
30 from said gaseous oxygen duct enters said compressor inlet along with at least a portion of the combustion products from said turbine output.

Claim 56 - The kit of Claim 55 wherein a partial condenser is located downstream of said combustion products output of said turbine, said partial condenser including a condensate water

outlet, said condensate water outlet coupled to a water injection line leading to said steam port of said combustor along a path bypassing said gas compressor.

5 Claim 57 - The kit of Claim 56 wherein a divider is located downstream of said combustion products output of said turbine, said divider including a separation duct diverting at least a portion of the combustion products exiting the output of the turbine away from said return duct, said separation duct leading to a condenser, said water injection line at least partially fed by water condensed from said condenser in said separation duct.

10 Claim 58 - The kit of Claim 56 wherein said partial condenser is located within said return duct.

Claim 59 - The kit of Claim 57 wherein said partial condenser condenses only a portion of the water constituent of the combustion products entering said partial condenser.

15

Claim 60 - The kit of Claim 59 wherein said water injection line passes through a heat exchanger receiving heat from the combustion products exiting the output of said turbine with sufficient heat transfer to boil at least a portion of the water within said water injection line into steam.

20

Claim 61 - The kit of Claim 60 wherein said source of oxygen of said gaseous oxygen duct includes an air separation unit configured to separate at least a portion of oxygen out of air surrounding the system, said air separation unit receiving at least some power for separation of the oxygen from the air from said power output of said turbine.

25

Claim 62 - A semi-closed Brayton cycle power generation system, comprising in combination:

a gas compressor having an inlet and an outlet;

30 a combustor downstream of said compressor, said combustor having a fuel port coupled to a source of fuel, an oxidizer port coupled to said compressor outlet and an outlet port for combustion products resulting from combustion of fuel from said source of fuel with oxidizer from said oxidizer port;

an expander downstream of said combustor, said expander having an input coupled to said combustor outlet port, an output for the combustion products entering said expander at said input, and a power output;

means to return at least a portion of the combustion products passing through said output of said expander to said gas compressor inlet;

means to separate oxygen from air surrounding said system; and

5 means to add oxygen from said separating means to combustion products upstream of said gas compressor inlet, such that the oxidizer including oxygen from the oxygen separating means and the combustion products from said output of said expander are compressed by said gas compressor before entering said combustor at said oxidizer port.

10 Claim 63 - The system of Claim 62 including a means to divide at least a portion of the combustion products from the combustion products exiting said expander at said expander output, such that not all of the combustion products exiting said expander are routed back to said gas compressor.

15 Claim 64 - The system of Claim 63 including a condenser for at least a portion of a water constituent of the combustion products exiting said expander output, means to boil at least a portion of the water from said condenser and routing steam created by said boiling means to a steam port within said combustor along a path bypassing said gas compressor.

20 Claim 65 - A gas mixture for use as an oxidizer mixture portion of a working fluid in a gas turbine combustor, the mixture comprising in combination:

by weight between about forty percent and about eighty percent carbon dioxide, between about ten percent and about fifty percent water and between about ten percent and about thirty percent oxygen.

25 Claim 66 - The mixture of Claim 65 wherein said mixture includes by weight between about forty percent and about fifty-five percent carbon dioxide, between about thirty percent and about fifty percent water and between about ten percent and about twenty percent oxygen.

30 Claim 67 - The mixture of Claim 66 wherein said mixture includes by weight about forty-eight percent carbon dioxide, about thirty-nine percent water and about thirteen percent oxygen.

Claim 68 - The mixture of Claim 65 wherein said mixture includes by weight between about fifty percent and about sixty-two percent carbon dioxide, between about twenty percent and about thirty-five percent water and between about ten percent and twenty-five percent oxygen.

Claim 69 - The mixture of Claim 68 wherein said mixture includes by weight about fifty-six percent carbon dioxide, about twenty-eight percent water and about sixteen percent oxygen.

5 Claim 70 - The mixture of Claim 65 wherein said mixture includes by weight between about fifty percent and about eighty percent carbon dioxide, between about ten percent and thirty percent water and between about fifteen percent and about thirty percent oxygen.

10 Claim 71 - The mixture of Claim 70 wherein said mixture includes by weight about sixty-three percent carbon dioxide, about seventeen percent water and about twenty percent oxygen.

Claim 72 - A semi-closed Brayton cycle power generation system, comprising in combination:  
a gas compressor having an inlet and an outlet;  
a combustor downstream of said compressor, said combustor having a fuel port coupled  
15 to a source of fuel, an oxidizer port coupled to said compressor outlet and an outlet port for combustion products resulting from combustion of fuel from said source of fuel with oxidizer from said oxidizer port;  
a turbine downstream of said combustor, said turbine having an input coupled to said combustor outlet port, an output for the combustion products entering said turbine at said input,  
20 and a power output;  
a return duct downstream of said turbine, said return duct receiving at least a portion of the combustion products passing through said output of said turbine and extending to said inlet of said compressor;  
a gaseous oxygen duct coupled to a source of oxygen and coupled to said return duct in a  
25 manner adding oxygen to the combustion products within said return duct; and  
said gaseous oxygen duct located upstream of said gas compressor to permit the oxygen from said gaseous oxygen duct entering said compressor inlet along with the combustion products.

30 Claim 73 - The system of Claim 72 wherein an air inlet duct is coupled to said return duct at a location upstream of said gas compressor.

Claim 74 - The system of Claim 73 wherein said air inlet duct has a valve thereon said valve capable of selectively opening and closing said air inlet duct.

Claim 75 - The system of Claim 74 wherein an outlet duct is located downstream of said turbine output, said outlet duct leading out of said system, such that when said air inlet duct is open and said outlet duct is open, said system can operate as an open Brayton cycle power generation system.

Claim 76 - The system of Claim 75 wherein a valve is located on said outlet duct.

Claim 77 - The system of Claim 76 wherein a heat recovery steam generator is located downstream of said turbine output, said heat recovery steam generator transferring heat out of the combustion products exiting said turbine output, said outlet duct located upstream of said heat recovery steam generator and downstream of said turbine output.

Claim 78 - The system of Claim 76 wherein a heat recovery steam generator is located downstream of said turbine output, said heat recovery steam generator transferring heat out of the combustion products exiting said turbine output, said outlet duct located downstream of said heat recovery steam generator.

Claim 79 - A semi-closed Brayton cycle power generation system, comprising in combination:

a gas compressor having an inlet and an outlet;

a combustor downstream of said compressor, said combustor having a fuel port coupled to a source of fuel, an oxidizer port coupled to said compressor outlet and an outlet port for combustion products resulting from combustion of fuel from said source of fuel with oxidizer from said oxidizer port;

a turbine downstream of said combustor, said turbine having an input coupled to said combustor outlet port, an output for the combustion products entering said turbine at said input, and a power output;

a return duct downstream of said turbine, said return duct receiving at least a portion of the combustion products passing through said output of said turbine and extending to said inlet of said compressor;

a gaseous oxygen duct coupled to a source of oxygen and coupled to said return duct in a manner adding oxygen to the combustion products within said return duct;

said gaseous oxygen duct located upstream of said gas compressor to permit the oxygen from said gaseous oxygen duct entering said compressor inlet along with the combustion



products;

said source of oxygen including an ion transfer membrane between an air inlet and an oxygen outlet, said oxygen outlet coupled to said gaseous oxygen duct; and

5 an air heater between said air inlet and said membrane, said heater transferring heat from the combustion products downstream of said combustor into the air entering said air inlet.

Claim 80 - The system of Claim 79 wherein a diversion line is located downstream of said turbine output, said diversion line directing combustion products to said heater between said air inlet and said membrane.

10 Claim 81 - The system of Claim 79 wherein a heat recovery steam generator is located downstream of said turbine output, said heat recovery steam generator removing heat from the combustion products exiting said turbine output, said heat recovery steam generator heating water upstream of a steam turbine; and

15 a diversion line diverting water between said heat recovery steam generator and said steam turbine to said heater between said air inlet and said membrane before said diversion line returns to said steam turbine.

Claim 82 - The system of Claim 79 wherein a heat recovery steam generator is located 20 downstream of said turbine output, said heat recovery steam generator removing heat from the combustion products exiting said turbine output, said heat recovery steam generator heating water upstream of a steam turbine; and

25 a diversion line extending from a location midway between an inlet of said steam turbine and an outlet of said steam turbine, said diversion line routed to said air heater between said air inlet and said membrane before said diversion line returns to said steam turbine.

Claim 83 - The system of Claim 79 wherein a partial condenser is located downstream of said turbine, said partial condenser including a condensate line for removal of condensed water out of said partial condenser, said condensation line routed to said combustor along a path bypassing said 30 compressor, said path including a water preheater there along, said water preheater receiving heat from nitrogen discharged from said source of oxygen.

Claim 84 - The system of Claim 83 wherein said condensate line includes a second preheater receiving heat from oxygen discharged from said oxygen outlet of said source of oxygen between 35 said membrane and said gaseous oxygen duct.

Claim 85 - The system of Claim 79 wherein a heat recovery steam generator is located downstream of said turbine output, said heat recovery steam generator removing heat from combustion products exiting said turbine output and adding heat to a bottoming cycle working fluid upstream of a bottoming cycle turbine, a diversion line downstream of said bottoming cycle turbine including a preheater thereon, said preheater heating the bottoming cycle working fluid with heat from hot gases exiting said source of oxygen before said bottoming cycle working fluid is routed back to said heat recovery steam generator.

Claim 86 - The system of Claim 79 including a heat recovery steam generator downstream of said turbine output, said heat recovery steam generator transferring heat from the combustion products exiting said turbine output to water in a bottoming cycle coupled to said heat recovery steam generator, said bottoming cycle including a gas generator having an oxygen inlet, a hydrocarbon fuel inlet and a water inlet, said water inlet coupled to said heat recovery steam generator to receive water from said heat recovery steam generator, said gas generator combusting said hydrocarbon fuel with said oxygen to produce combustion products including carbon dioxide and water, said bottoming cycle including an expander downstream of said gas generator and a condenser downstream of said expander, said condenser separating at least a portion of the water in the combustion products from a portion of the carbon dioxide in the combustion products, at least a portion of the water in the combustion products recirculated to said heat recovery steam generator.

Claim 87 - The system of Claim 86 wherein a compressor is located downstream of a gas outlet of said condenser, said compressor configured to compress gases including CO<sub>2</sub> passing therethrough to sufficient pressure to allow injection of the gases including CO<sub>2</sub> into a terrestrial formation for elimination of the CO<sub>2</sub> from atmospheric release.

Claim 88 - The system of Claim 87 wherein said oxygen inlet of said gas generator is coupled to said oxygen outlet of said source of oxygen and wherein said source of oxygen includes a hot nitrogen outlet, and a heat exchanger between said hot nitrogen outlet and a condensate outlet of said condenser of said bottoming cycle, such that condensate from said condenser including water is preheated with heat from hot nitrogen exiting said source of oxygen.

Claim 89 - The system of Claim 88 wherein a heat exchanger is interposed between said air inlet and said membrane of said source of oxygen, said heat exchanger receiving heat from combustion products downstream of said gas generator of said bottoming cycle, the combustion products routed past said heat exchanger in heat transfer relationship with air between said air inlet and said membrane.

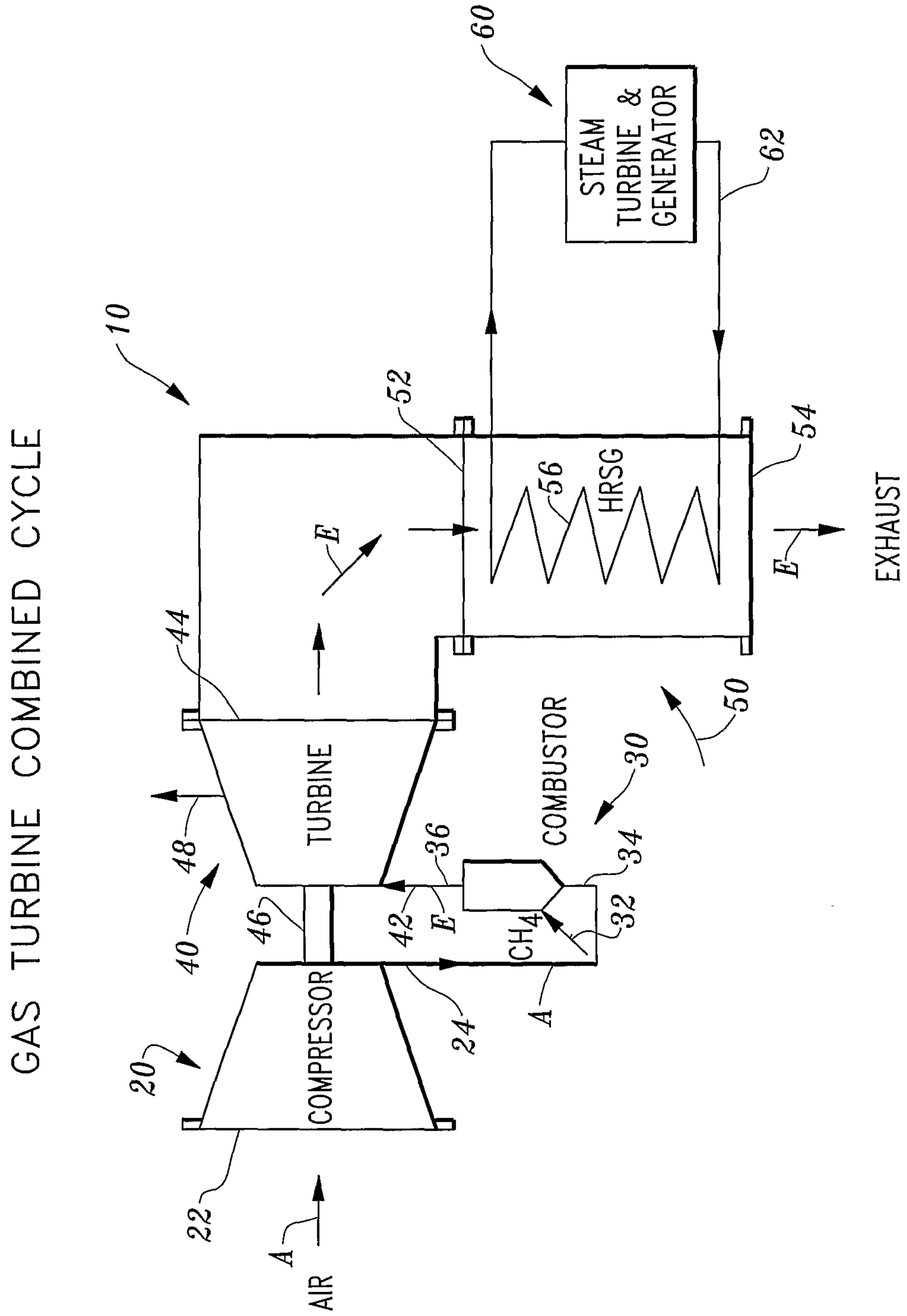


Fig. 1  
(Prior Art)

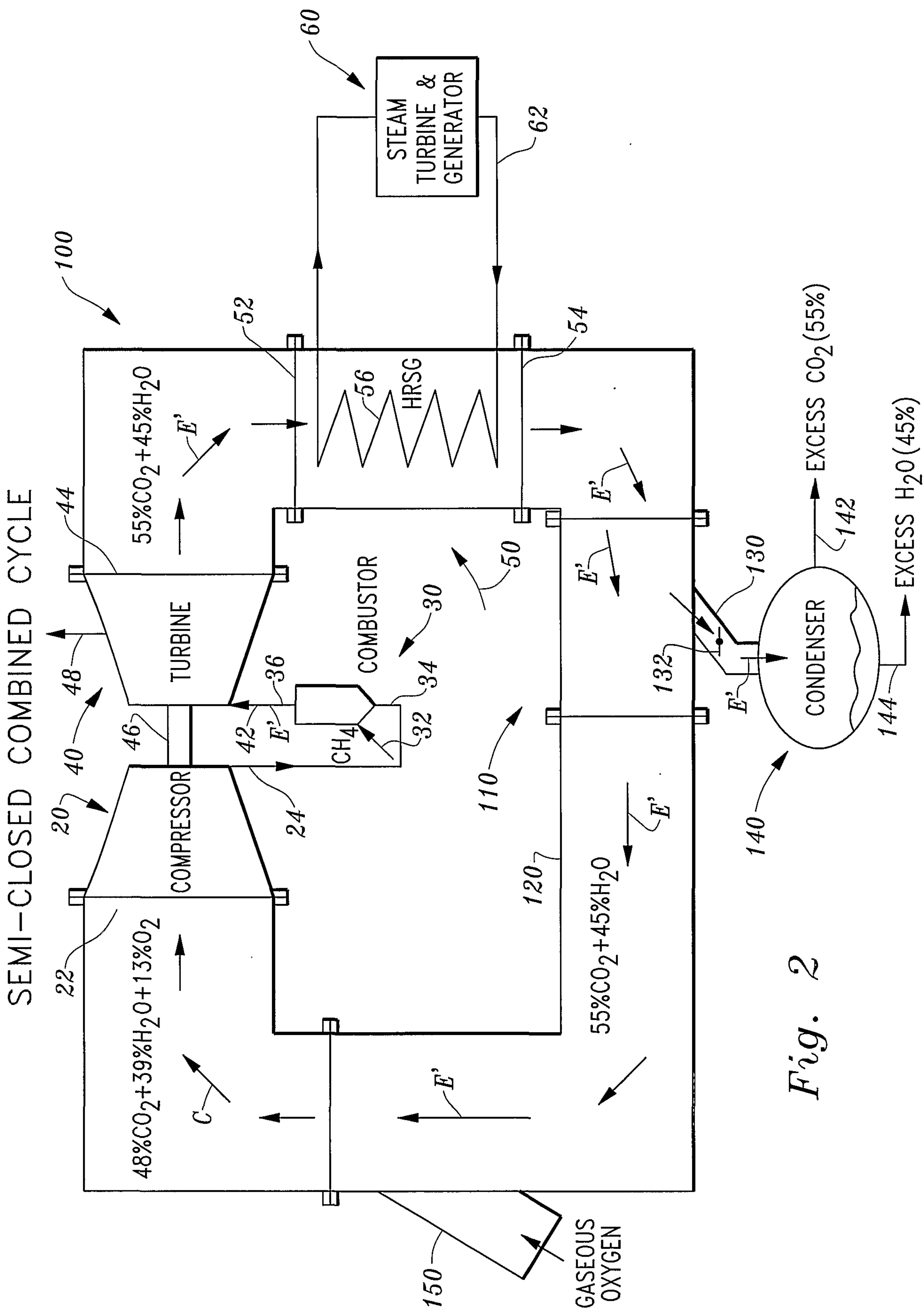


Fig. 2

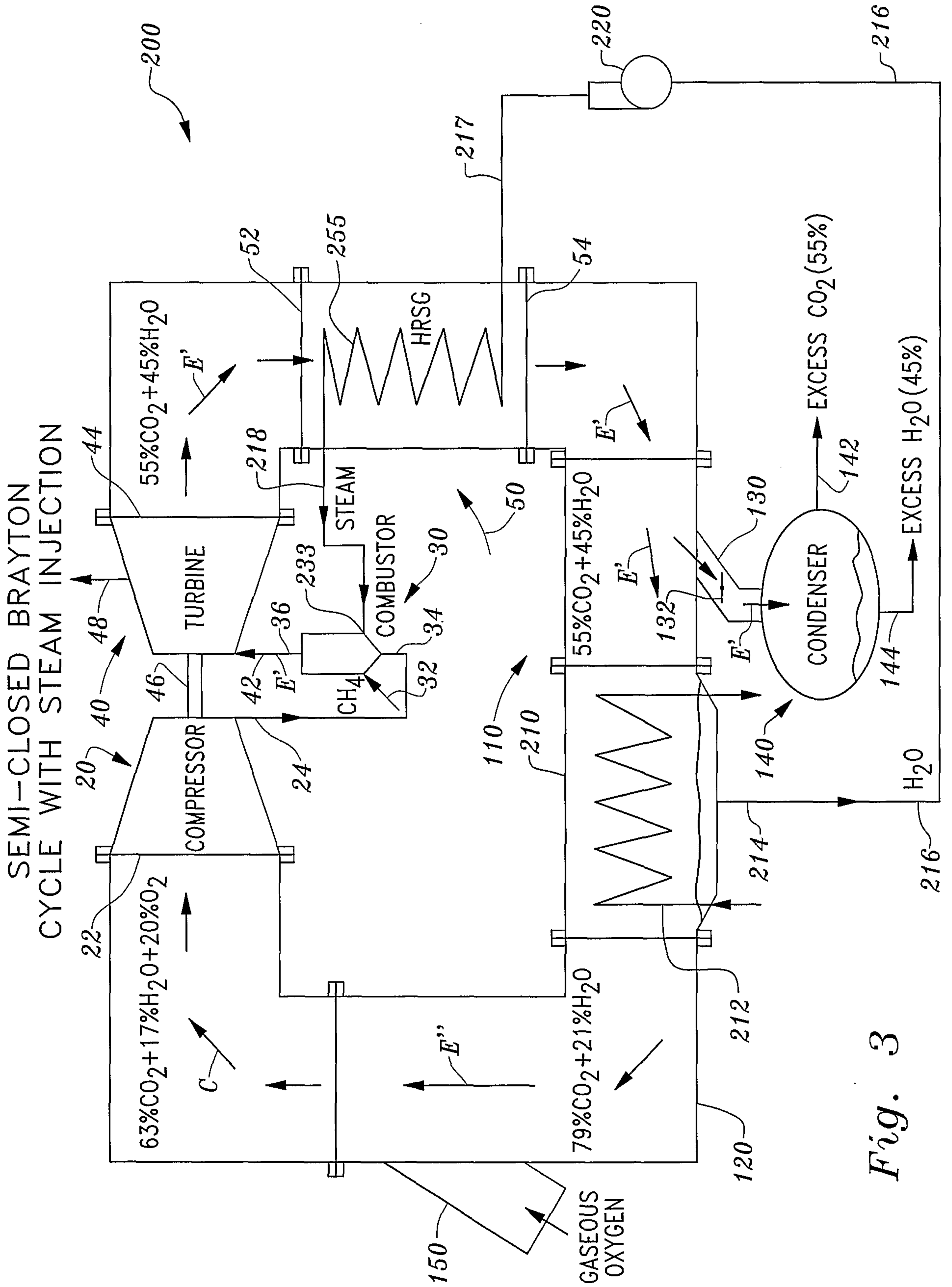


Fig. 3

4/11

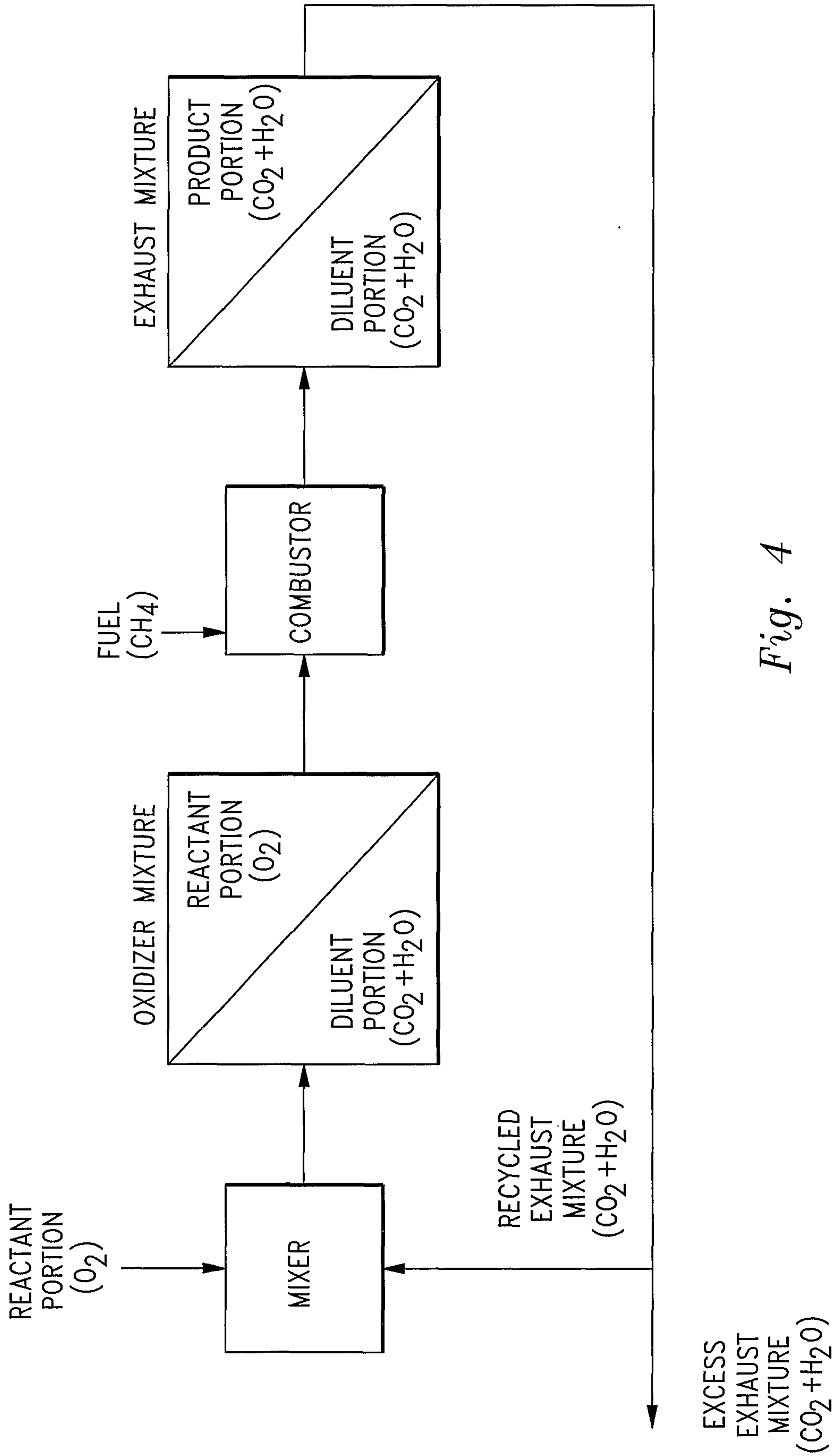


Fig. 4

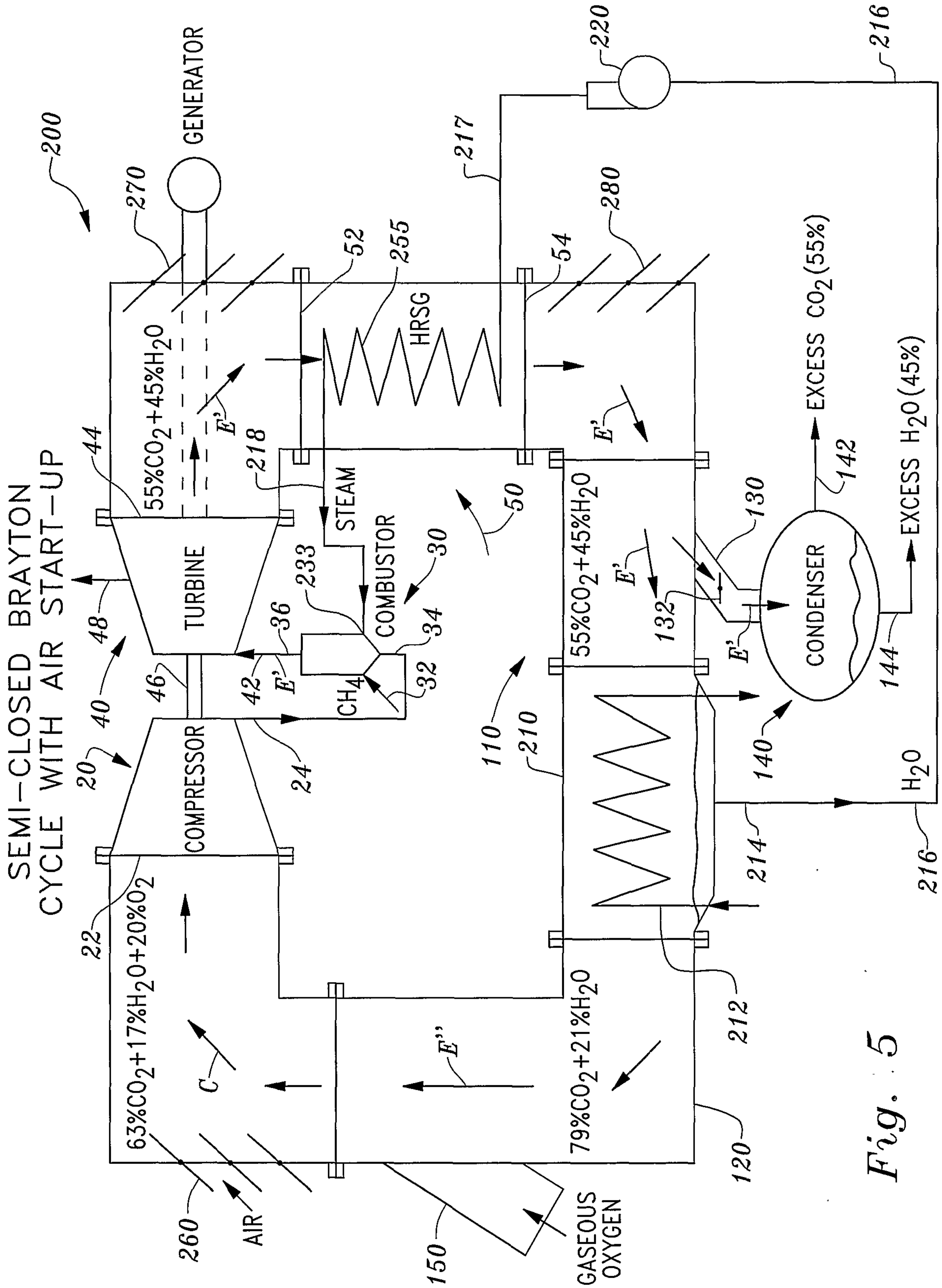


Fig. 5

SEMI-CLOSED SIMPLE CYCLE POWER PLANT WITH ION TRANSFER MEMBRANE (ITM) AIR SEPARATION UNIT (ASU)

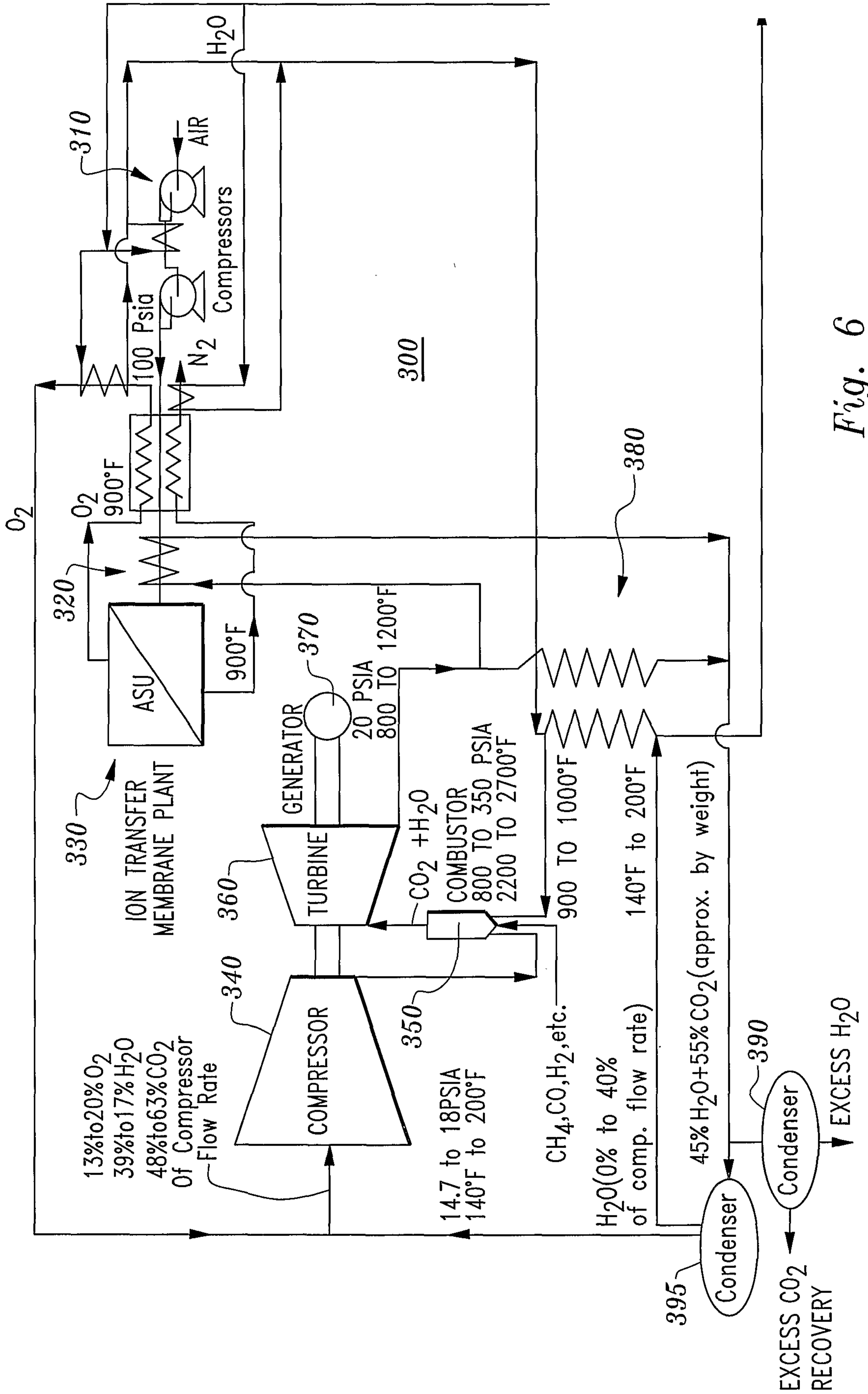


Fig. 6



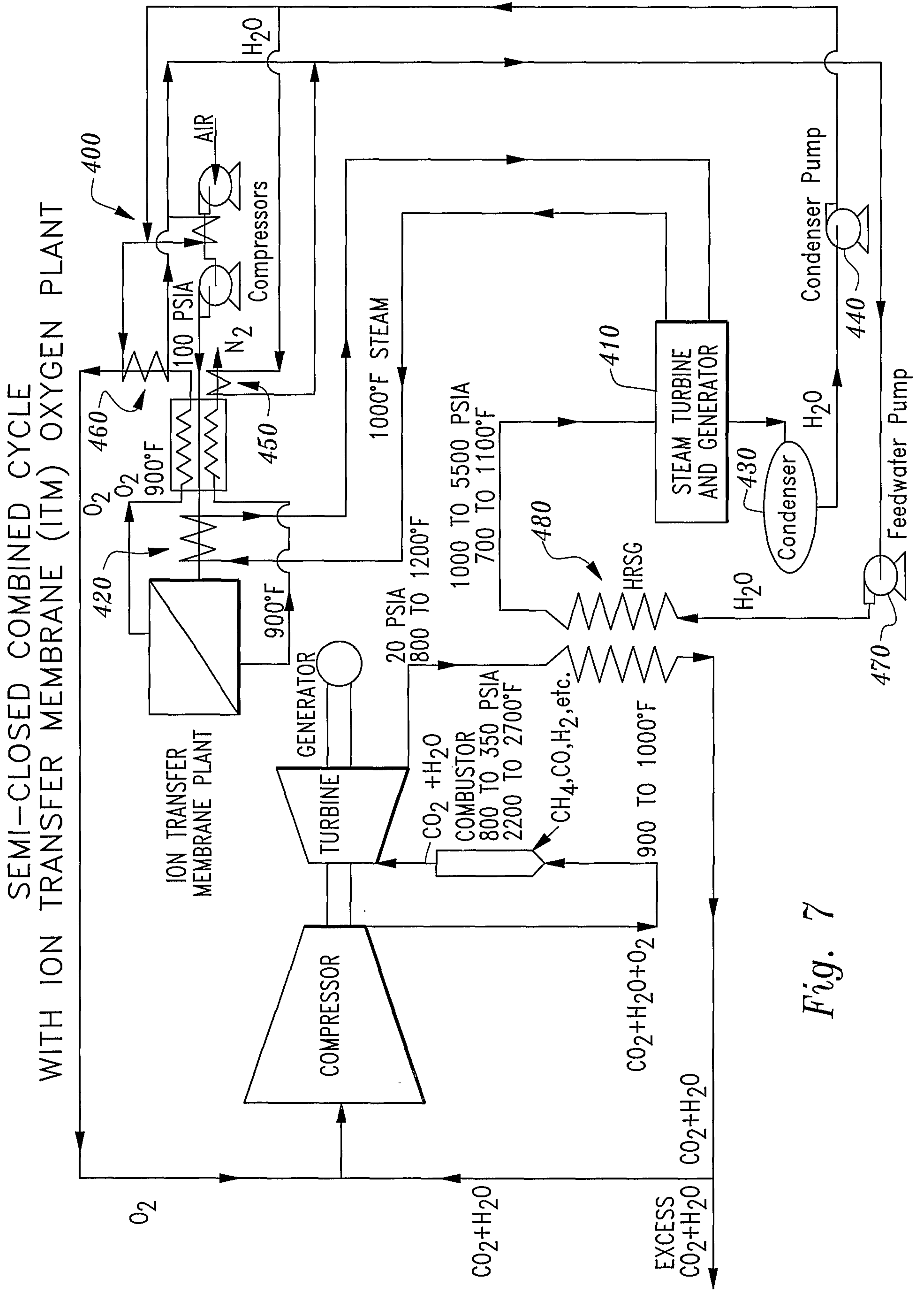


Fig. 7

8/11

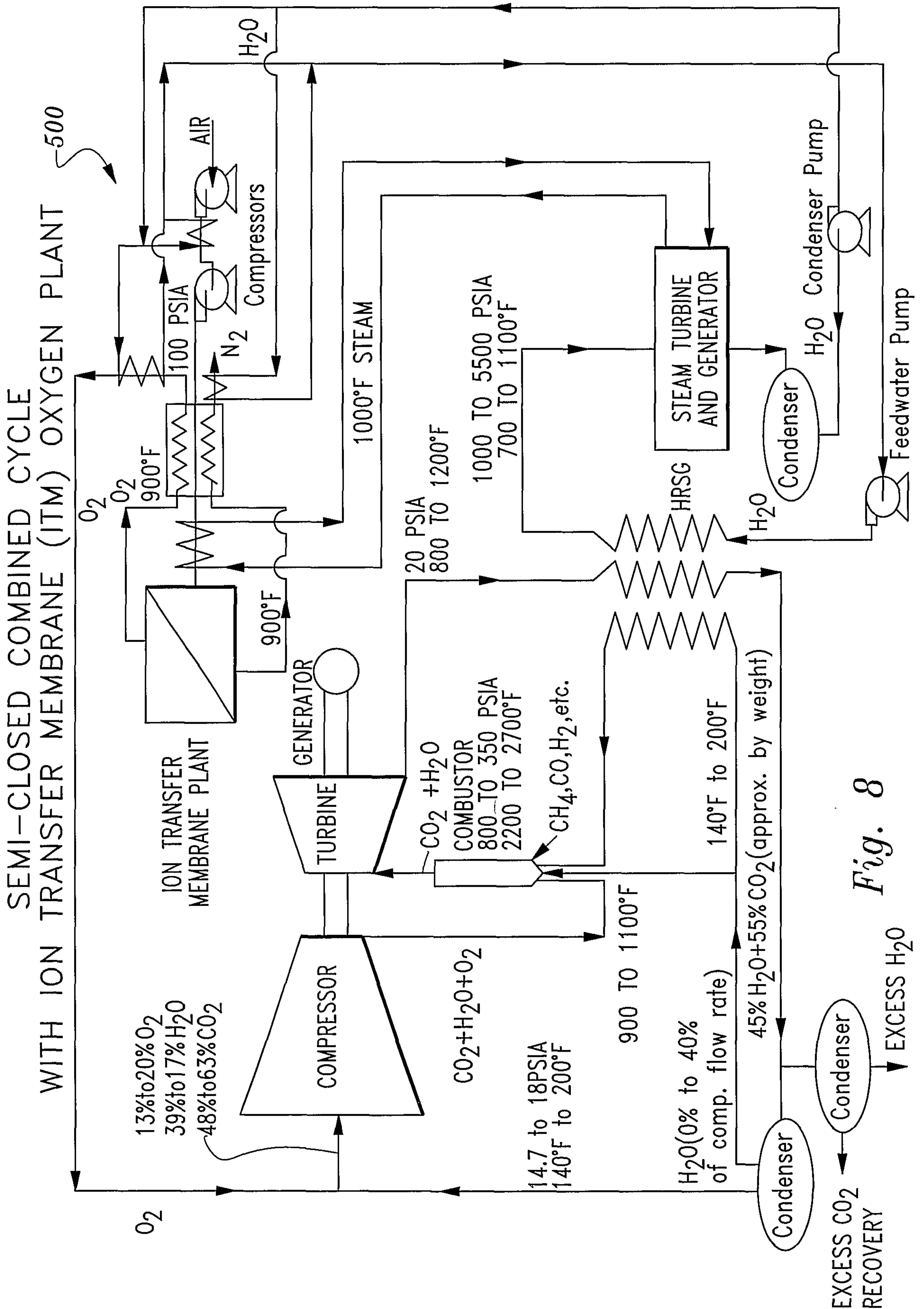


Fig. 8

9/11

SEMI-CLOSED COMBINED CYCLE WITH ION TRANSFER  
MEMBRANE (ITM) OXYGEN PLANT AND SUPPLEMENTARY HEATING

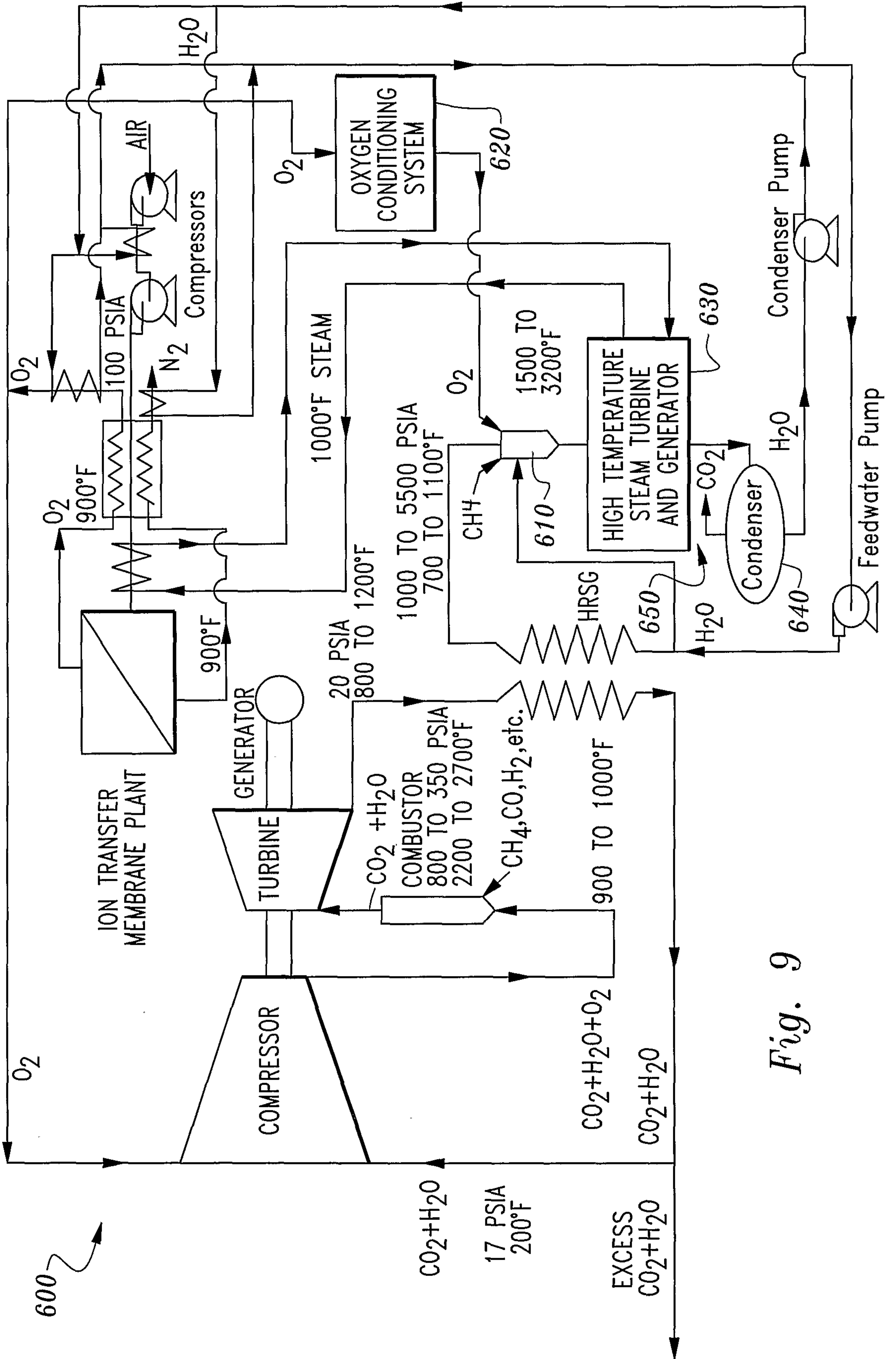


Fig. 9

SEMI-CLOSED COMBINED CYCLE POWER PLANT WITH ION TRANSFER MEMBRANE (ITM) AIR SEPARATION UNIT (ASU) INTERCOOLING, REHEATING, AND SUPPLEMENTARY HEATING

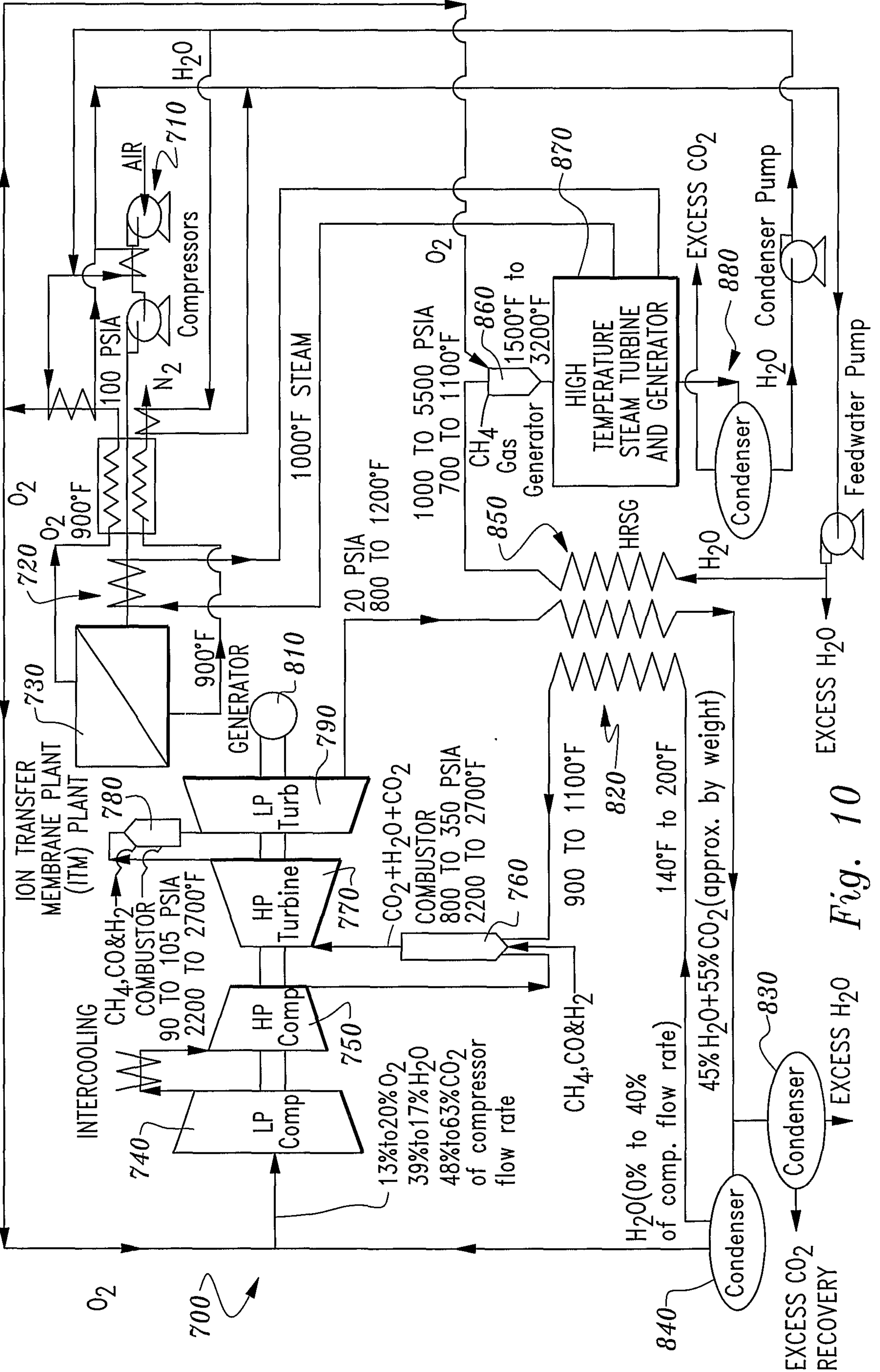


Fig. 10

GAS TURBINE COMBINED CYCLE  
SCHEMATIC WITH SUPPLEMENTARY HEATING

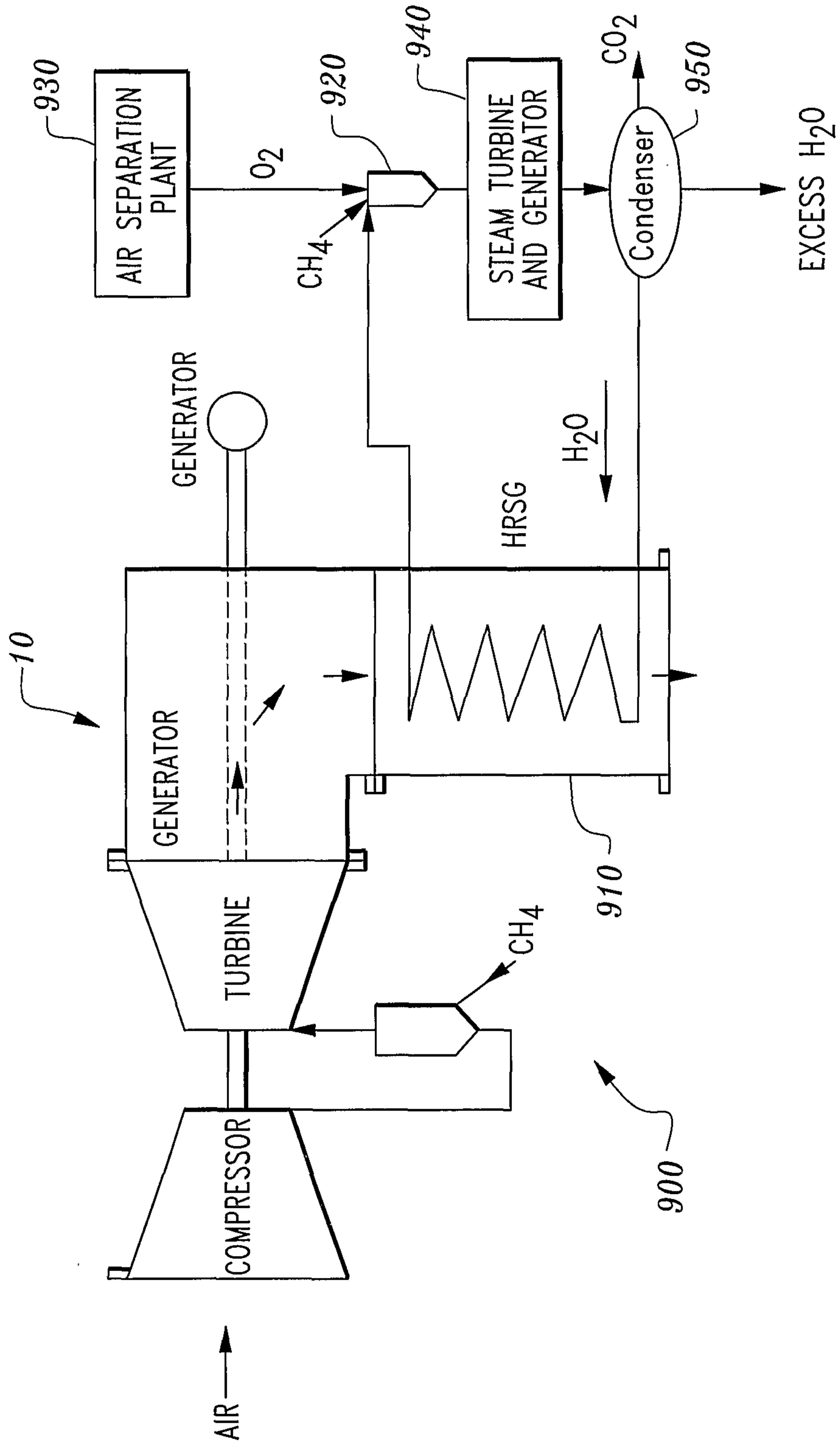


Fig. 11

