

(19) World Intellectual Property Organization
International Bureau



(43) International Publication Date
3 April 2008 (03.04.2008)

PCT

(10) International Publication Number
WO 2008/039734 A3

(51) International Patent Classification:
F16J 15/34 (2006.01) *F16J 15/00* (2006.01)
F16J 12/00 (2006.01)

(74) Agents: NOLTE, N. Alexander et al.; Haynes and Boone, LLP, 2323 Victory Avenue, Suite 700, Dallas, Texas 75219 (US).

(21) International Application Number:
PCT/US2007/079352

(81) Designated States (unless otherwise indicated, for every kind of national protection available): AE, AG, AL, AM, AT, AU, AZ, BA, BB, BG, BH, BR, BW, BY, BZ, CA, CH, CN, CO, CR, CU, CZ, DE, DK, DM, DO, DZ, EC, EE, EG, ES, FI, GB, GD, GE, GH, GM, GT, HN, HR, HU, ID, IL, IN, IS, JP, KE, KG, KM, KN, KP, KR, KZ, LA, LC, LK, LR, LS, LT, LU, LY, MA, MD, ME, MG, MK, MN, MW, MX, MY, MZ, NA, NG, NI, NO, NZ, OM, PG, PH, PL, PT, RO, RS, RU, SC, SD, SE, SG, SK, SL, SM, SV, SY, TJ, TM, TN, TR, TT, TZ, UA, UG, US, UZ, VC, VN, ZA, ZM, ZW.

(22) International Filing Date:
25 September 2007 (25.09.2007)

(25) Filing Language: English

(26) Publication Language: English

(30) Priority Data:
60/826,805 25 September 2006 (25.09.2006) US

(84) Designated States (unless otherwise indicated, for every kind of regional protection available): ARIPO (BW, GH, GM, KE, LS, MW, MZ, NA, SD, SL, SZ, TZ, UG, ZM, ZW), Eurasian (AM, AZ, BY, KG, KZ, MD, RU, TJ, TM), European (AT, BE, BG, CH, CY, CZ, DE, DK, EE, ES, FI, FR, GB, GR, HU, IE, IS, IT, LT, LU, LV, MC, MT, NL, PL, PT, RO, SE, SI, SK, TR), OAPI (BF, BJ, CF, CG, CI, CM, GA, GN, GQ, GW, ML, MR, NE, SN, TD, TG).

(71) Applicant (for all designated States except US):
DRESSER-RAND COMPANY [US/US]; Paul Clark Drive, Olean, NY 14760 (US).

(72) Inventors; and

(75) Inventors/Applicants (for US only): **MAJOT, Kevin, M.** [US/US]; 8380 Main Street, Little Genessee, NY 14754 (US). **ROHRS, Charles, A.**; 3257 West Five Mile Road, Allegany, NY 14706 (US).

Published:
— with international search report

[Continued on next page]

(54) Title: COUPLING GUARD SYSTEM

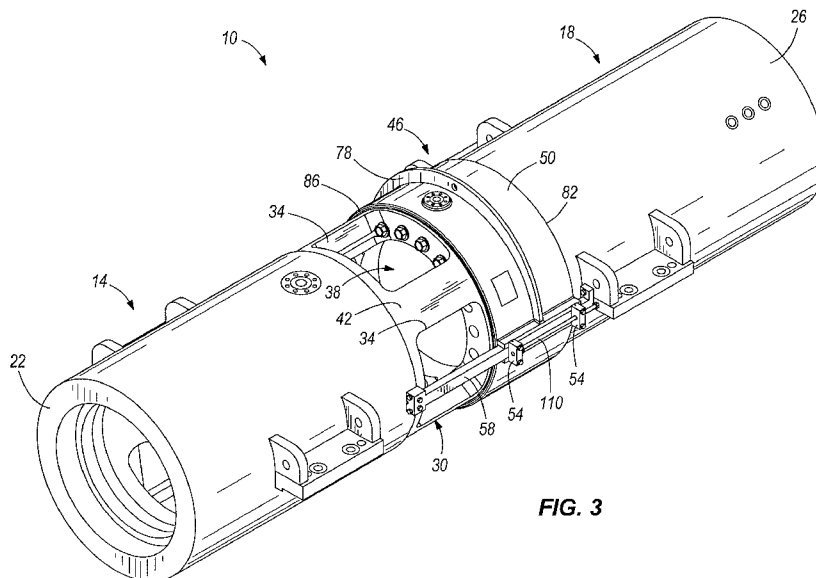


FIG. 3

(57) Abstract: A guard system for a coupling that connects a first component to a second component in a pressurized machinery system includes a coupling guard moveable between an open position, which allows access to an internal region of the coupling, and a closed position, which forms a seal surrounding the coupling from the first component to the second component. The system also includes a guide for directing movement of the coupling guard.

WO 2008/039734 A3



(88) Date of publication of the international search report:
22 May 2009

INTERNATIONAL SEARCH REPORT

International application No.

PCT/US07/79352

A. CLASSIFICATION OF SUBJECT MATTER

IPC: **F16J 15/34(2006.01),12/00(2006.01),15/00(2006.01)**

USPC: **277/345,368,369**

According to International Patent Classification (IPC) or to both national classification and IPC

B. FIELDS SEARCHED

Minimum documentation searched (classification system followed by classification symbols)
U.S. : **277/345,368,369;**

Documentation searched other than minimum documentation to the extent that such documents are included in the fields searched

Electronic data base consulted during the international search (name of data base and, where practicable, search terms used)

C. DOCUMENTS CONSIDERED TO BE RELEVANT

Category *	Citation of document, with indication, where appropriate, of the relevant passages	Relevant to claim No.
A	US 4,384,724 (DERMAN) 24 May 1983 (24.05.1983), column 2 line 14 thru column 5, line 46.	1-20
A	US 3,578,342 (SATTERTHWAITE et al) 11 May 1971 (11.05.1971), see column 4 , line 46 thru column 6, line 56.	1-20
A	US 5,683,235A (WELCH) 4 November 1997 (04.11.1997), column 2, line 41 thru column 4, line 2.	1-20
X	US 1,642,454 (MALMSTROM) 13 September 1927 (13.09.1927), page 1, line 98 thru page 6, line 33.	1-20

Further documents are listed in the continuation of Box C.

See patent family annex.

* Special categories of cited documents:

“A” document defining the general state of the art which is not considered to be of particular relevance

“E” earlier application or patent published on or after the international filing date

“L” document which may throw doubts on priority claim(s) or which is cited to establish the publication date of another citation or other special reason (as specified)

“O” document referring to an oral disclosure, use, exhibition or other means

“P” document published prior to the international filing date but later than the priority date claimed

“T” later document published after the international filing date or priority date and not in conflict with the application but cited to understand the principle or theory underlying the invention

“X” document of particular relevance; the claimed invention cannot be considered novel or cannot be considered to involve an inventive step when the document is taken alone

“Y” document of particular relevance; the claimed invention cannot be considered to involve an inventive step when the document is combined with one or more other such documents, such combination being obvious to a person skilled in the art

“&” document member of the same patent family

Date of the actual completion of the international search

15 August 2008 (15.08.2008)

Date of mailing of the international search report

27.08.2008

Name and mailing address of the ISA/US

Mail Stop PCT, Attn: ISA/US
Commissioner for Patents
P.O. Box 1450
Alexandria, Virginia 22313-1450

Facsimile No. (571) 273-3201

Authorized officer

Len Tran

Telephone No. (571) 272-3750

