



US00D674748S

(12) **United States Design Patent**
Ferber et al.

(10) **Patent No.:** **US D674,748 S**

(45) **Date of Patent:** **** Jan. 22, 2013**

(54) **PORTABLE POWER SUPPLY FOR A MOBILE DEVICE**

(75) Inventors: **Roman S. Ferber**, West Bloomfield, MI (US); **Hing Wah Tsang**, Ajax (CA); **Paul Daniel Farrugia**, Whitby (CA); **John Liu**, Mississauga (CA); **Chad Robert Stewart**, Bowmanville (CA); **Andrew Steven Juhasz**, Ajax (CA); **David William Riley**, Markham (CA)

(73) Assignee: **FKA Distributing Co.**

(**) Term: **14 Years**

(21) Appl. No.: **29/420,000**

(22) Filed: **May 3, 2012**

(51) **LOC (9) Cl.** **13-02**

(52) **U.S. Cl.** **D13/108**

(58) **Field of Classification Search** D13/103, D13/107-110, 118-119, 184, 199; D14/251, D14/253, 432, 434; 320/107-115
See application file for complete search history.

(56) **References Cited**

U.S. PATENT DOCUMENTS

D280,317 S * 8/1985 Boyd et al. D13/103
D483,721 S * 12/2003 Kim et al. D13/110
D574,834 S * 8/2008 Chen D14/432

(Continued)

Primary Examiner — Rosemary K Tarcza

(74) *Attorney, Agent, or Firm* — Brooks Kushman P.C.

(57) **CLAIM**

The ornamental design for a portable power supply for a mobile device, as shown and described.

DESCRIPTION

FIG. 1 is a perspective view of a portable power supply for a mobile device according to an embodiment;

FIG. 2 is a perspective view of the power supply of FIG. 1 shown with a connector in an unwrapped configuration;

FIG. 3 is another perspective view of the power supply of FIG. 1 shown with a connector in an unwrapped configuration;

FIG. 4 is a front plan view of the power supply of FIG. 1;

FIG. 5 is a rear plan view of the power supply of FIG. 1;

FIG. 6 is a left side plan view of the power supply of FIG. 1;

FIG. 7 is a right side plan view of the power supply of FIG. 1;

FIG. 8 is a top plan view of the power supply of FIG. 1;

FIG. 9 is a bottom plan view of the power supply of FIG. 1;

FIG. 10 is a perspective view of a portable power supply for a mobile device according to another embodiment;

FIG. 11 is a perspective view of the power supply of FIG. 10 shown with a connector in an unwrapped configuration;

FIG. 12 is another perspective view of the power supply of FIG. 10 shown with a connector in an unwrapped configuration;

FIG. 13 is a front plan view of the power supply of FIG. 10;

FIG. 14 is a rear plan view of the power supply of FIG. 10;

FIG. 15 is a left side plan view of the power supply of FIG. 10;

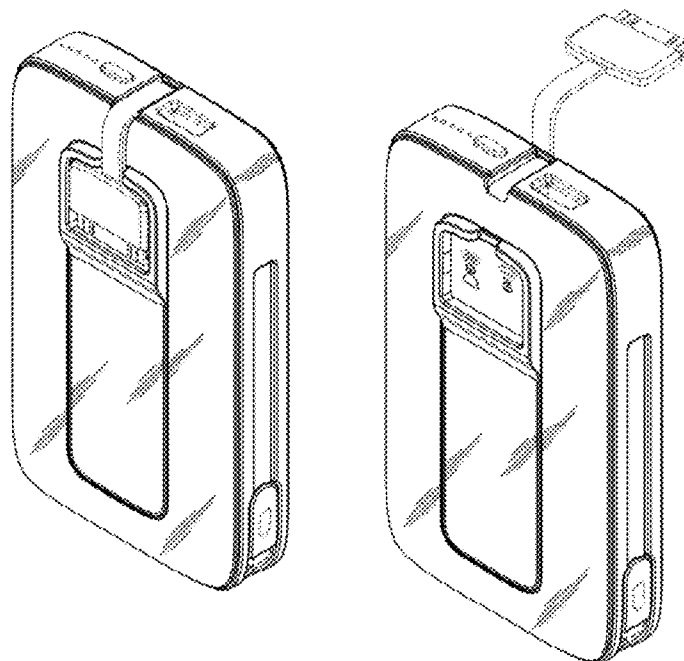
FIG. 16 is a right side plan view of the power supply of FIG. 10;

FIG. 17 is a top plan view of the power supply of FIG. 10; and

FIG. 18 is a bottom plan view of the power supply of FIG. 10.

The broken lines are for illustrative purposes only and form no part of the claimed design.

1 Claim, 12 Drawing Sheets



US D674,748 S

Page 2

U.S. PATENT DOCUMENTS

| | | | | | | | |
|--------------|---------|---------------------|-----------|--------------|--------|--------------------|---------|
| D580,354 S * | 11/2008 | Dunbar et al. | D13/108 | D652,379 S * | 1/2012 | Vandiver | D13/108 |
| D619,999 S * | 7/2010 | Wu et al. | D14/240 | D652,381 S * | 1/2012 | Tien | D13/110 |
| D628,153 S * | 11/2010 | Fujii et al. | D13/108 | D656,096 S * | 3/2012 | Sasada et al. | D13/108 |
| D628,535 S * | 12/2010 | Cheng | D13/108 | D659,094 S * | 5/2012 | Brand et al. | D13/108 |
| D645,049 S * | 9/2011 | Faranda et al. | D14/480.5 | D662,050 S * | 6/2012 | Tien | D13/108 |
| D645,050 S * | 9/2011 | Faranda et al. | D14/480.5 | | | | |

* cited by examiner

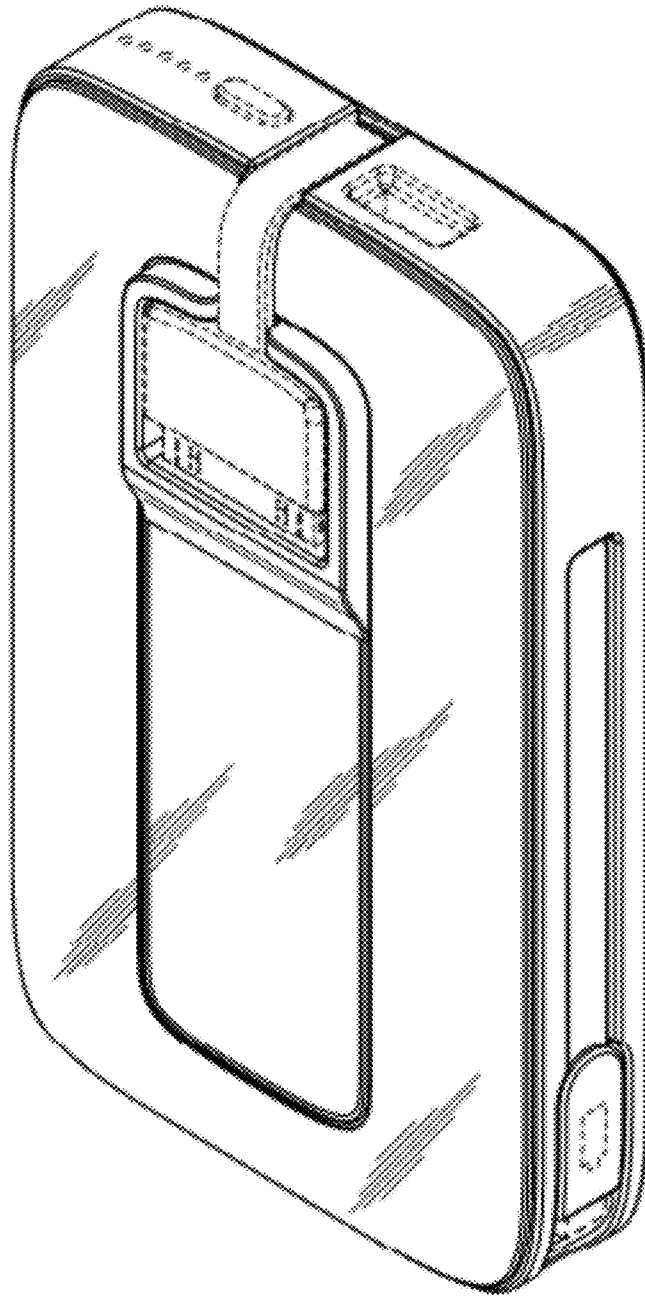


Fig. 1

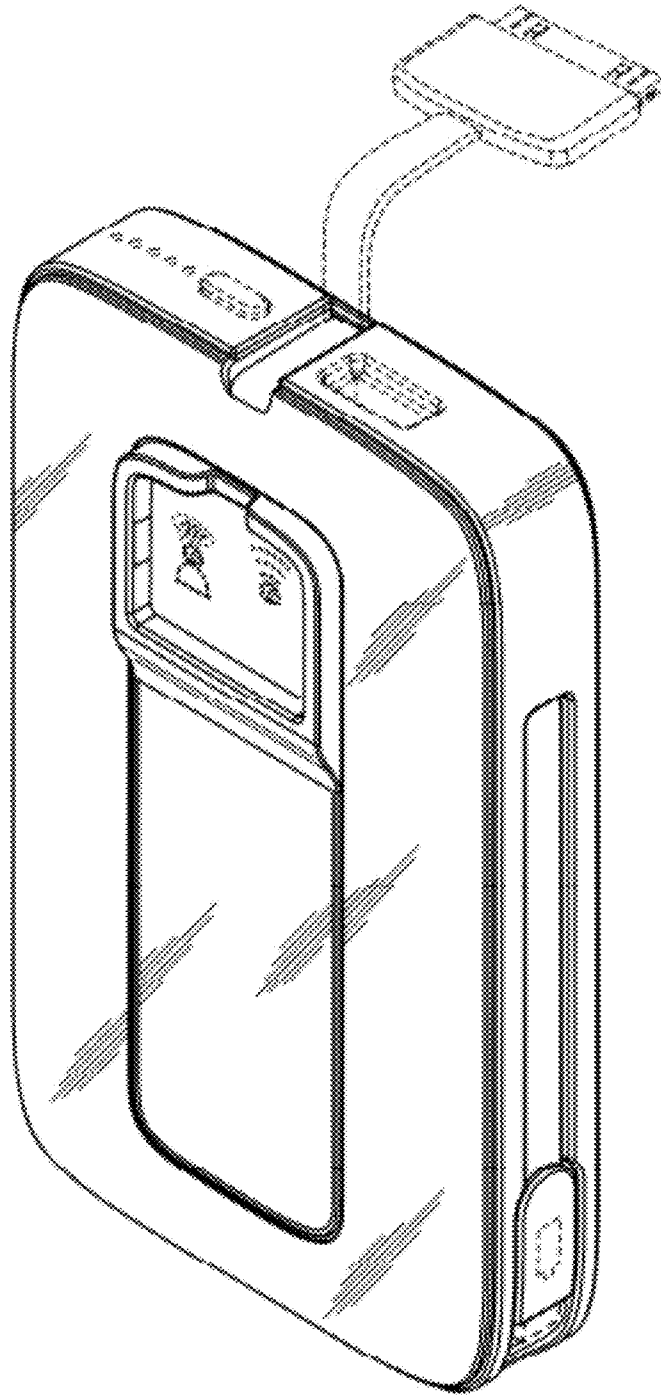


Fig. 2

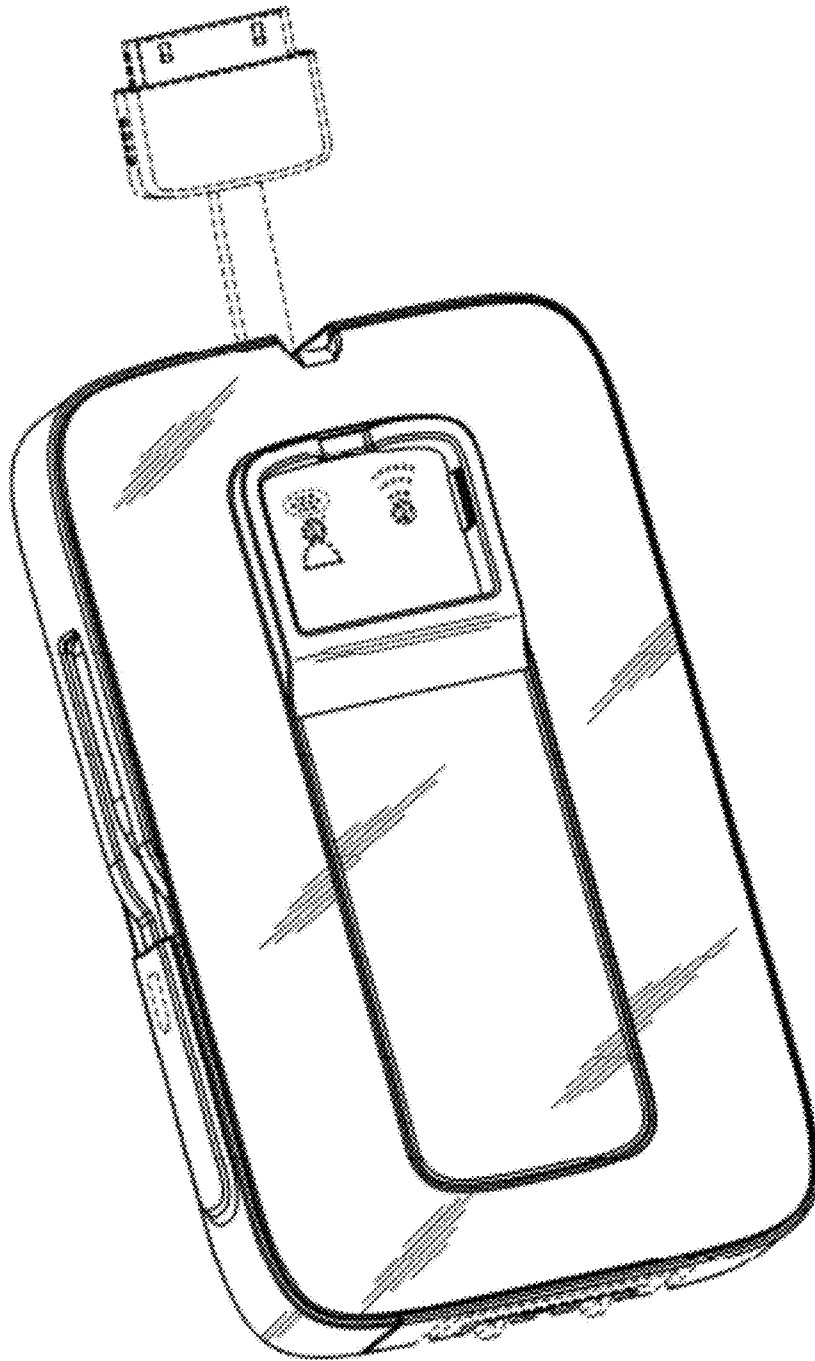


Fig. 3

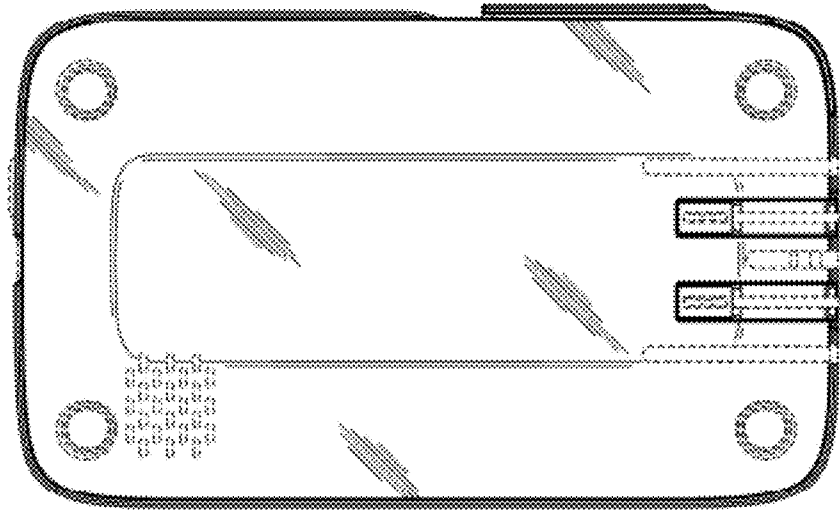


Fig. 5

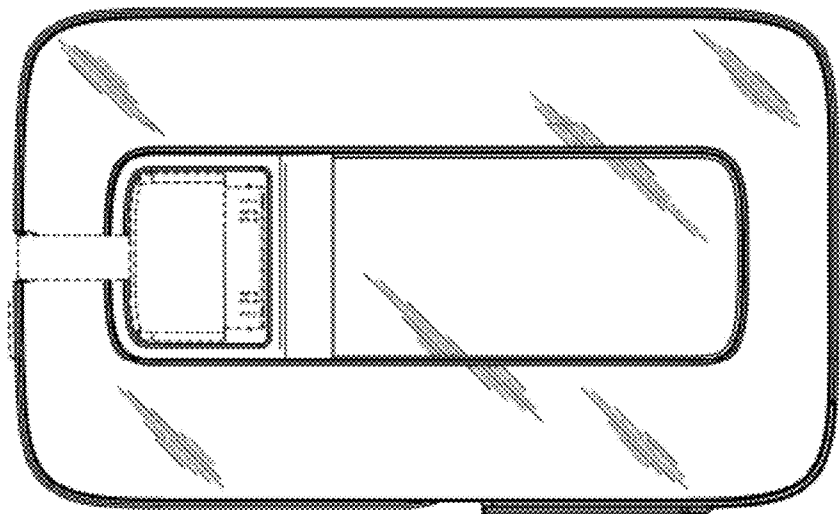


Fig. 4

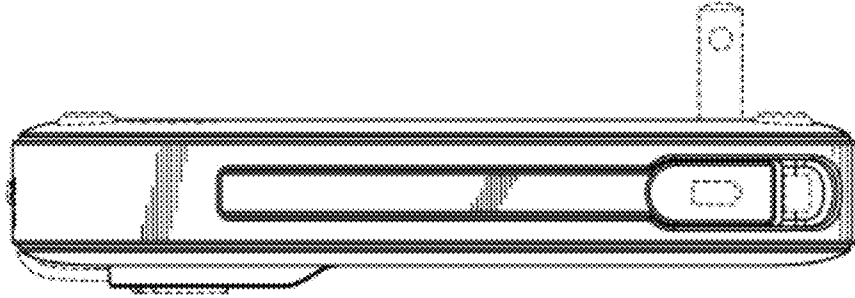


Fig. 7

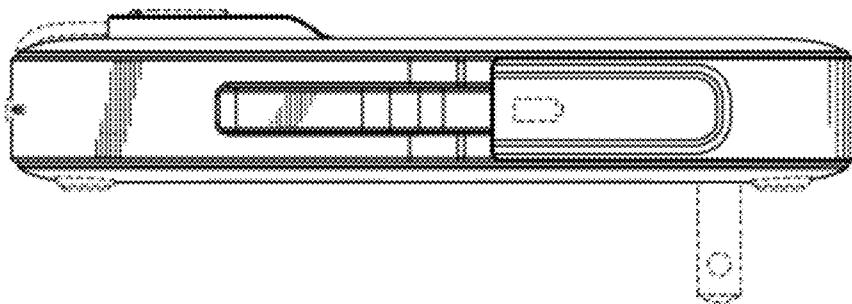


Fig. 6

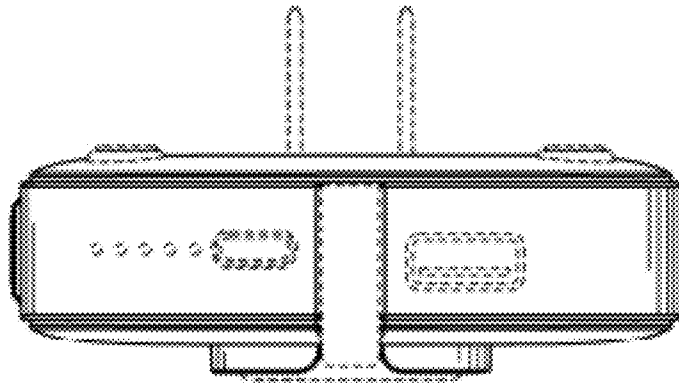


Fig. 8

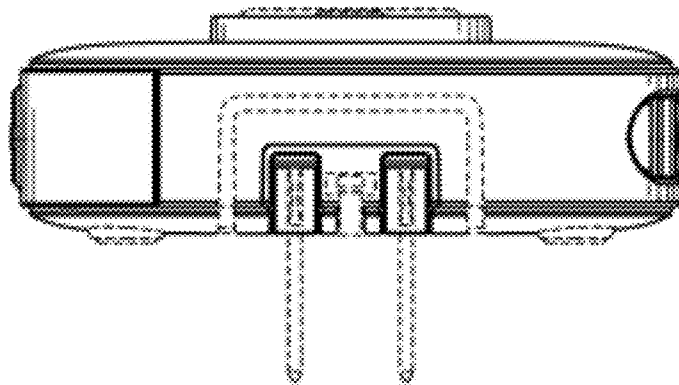


Fig. 9

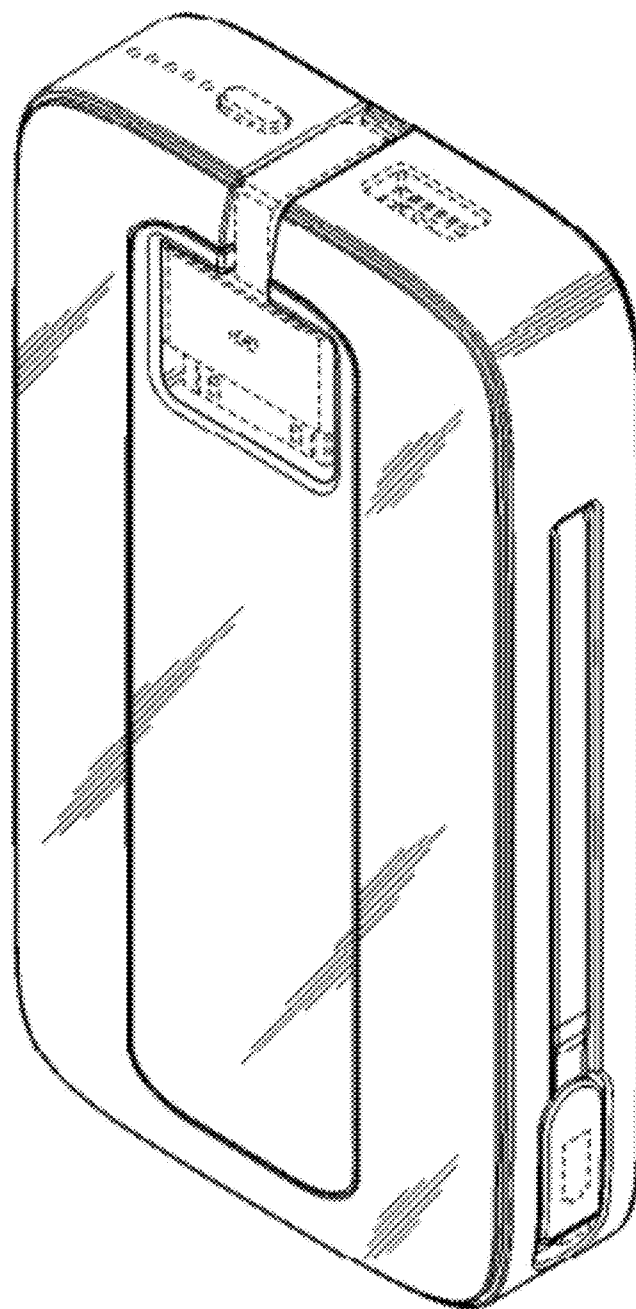


Fig. 10

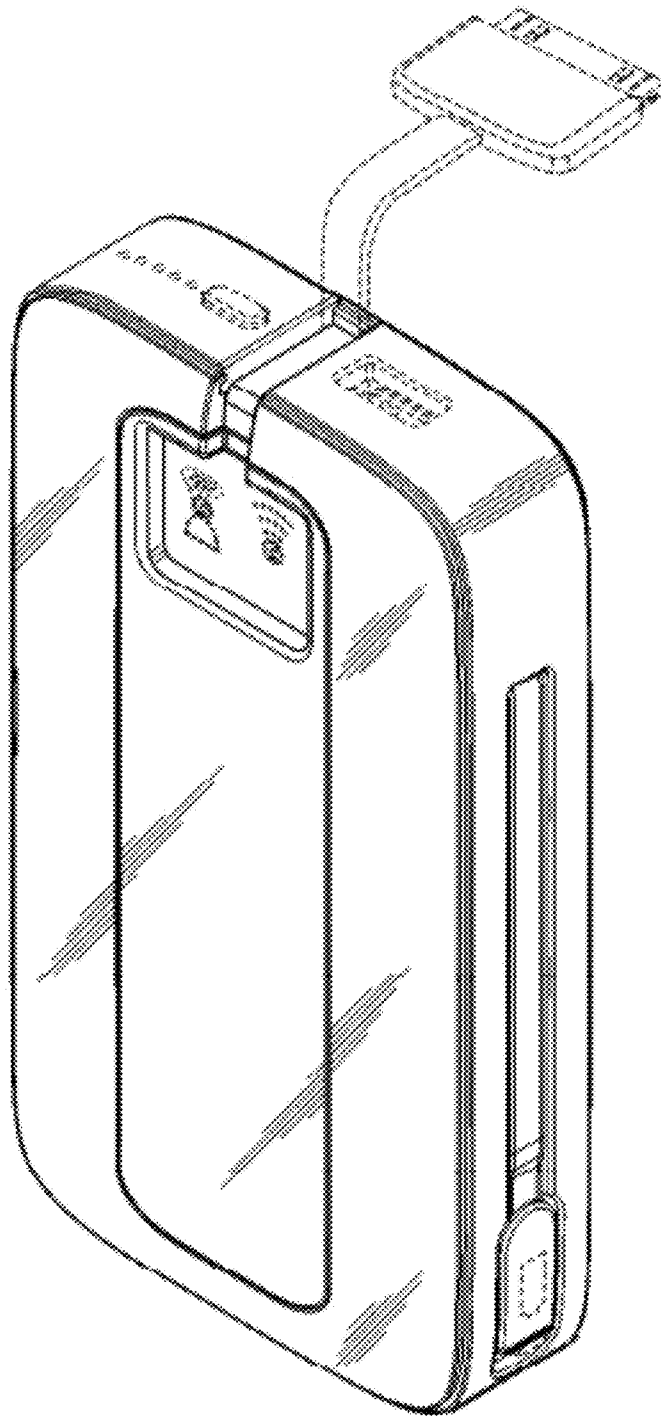


Fig. 11

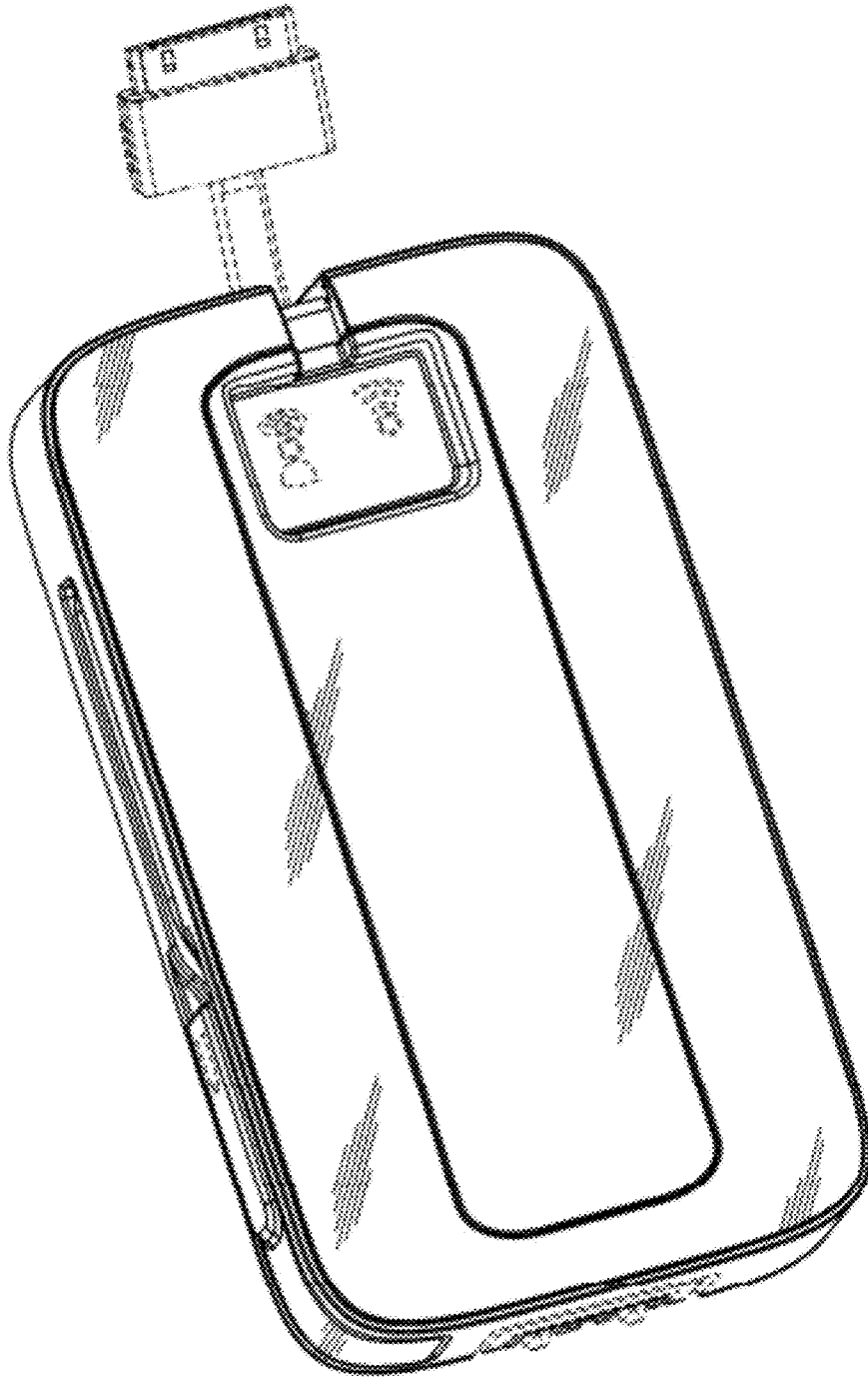


Fig. 12

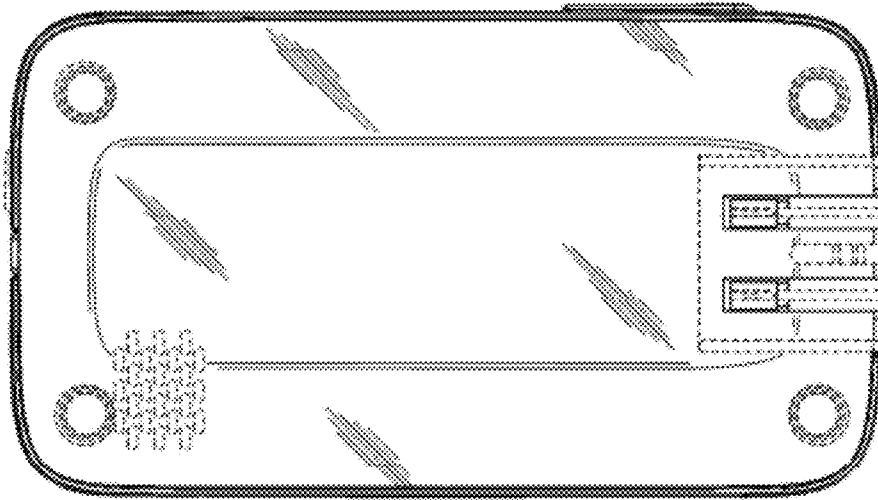


Fig. 1A

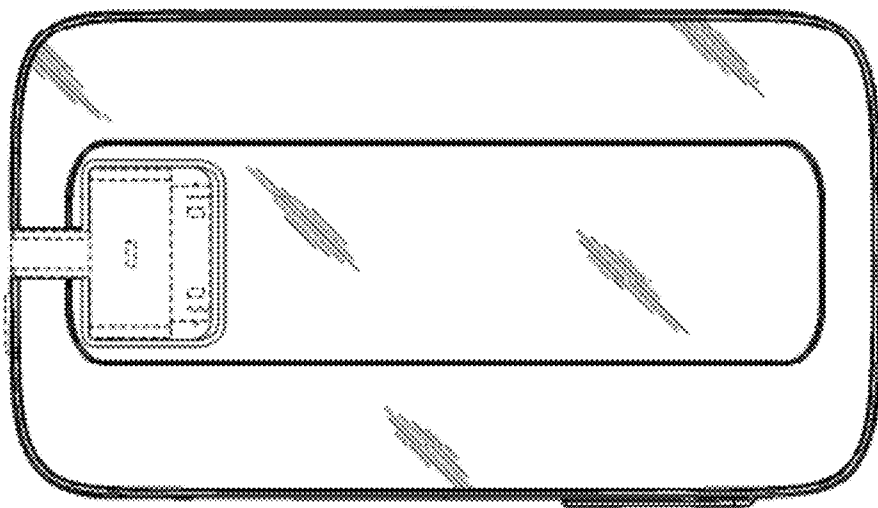


Fig. 1B



Fig. 16

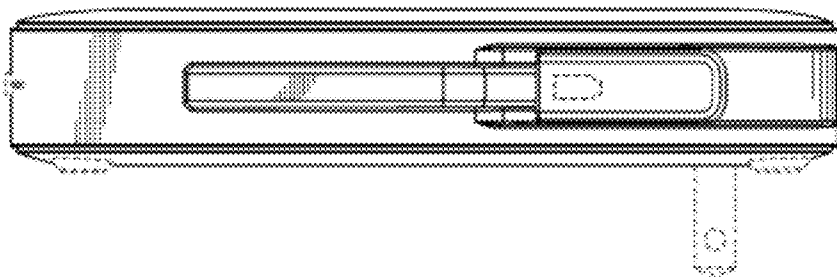


Fig. 15

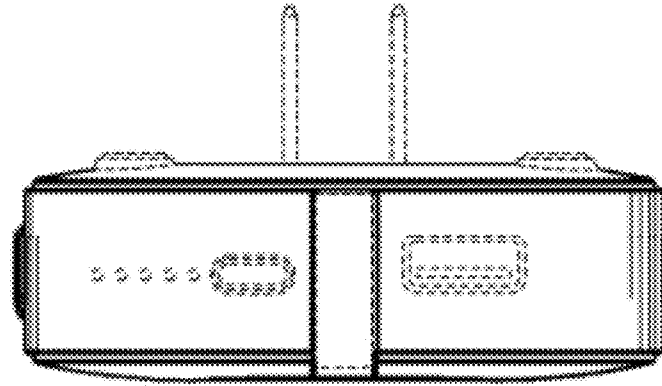


Fig. 17

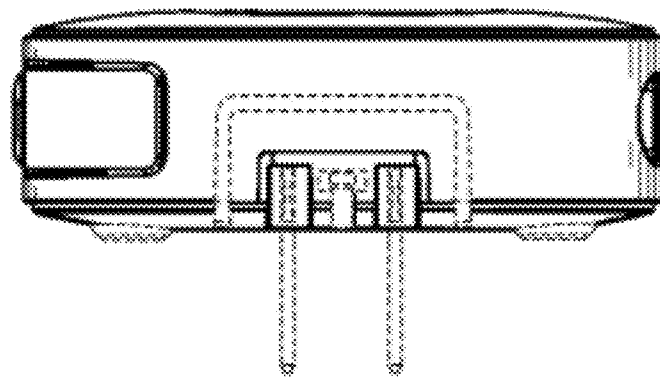


Fig. 18