

(19) World Intellectual Property Organization
International Bureau



(43) International Publication Date
20 September 2001 (20.09.2001)

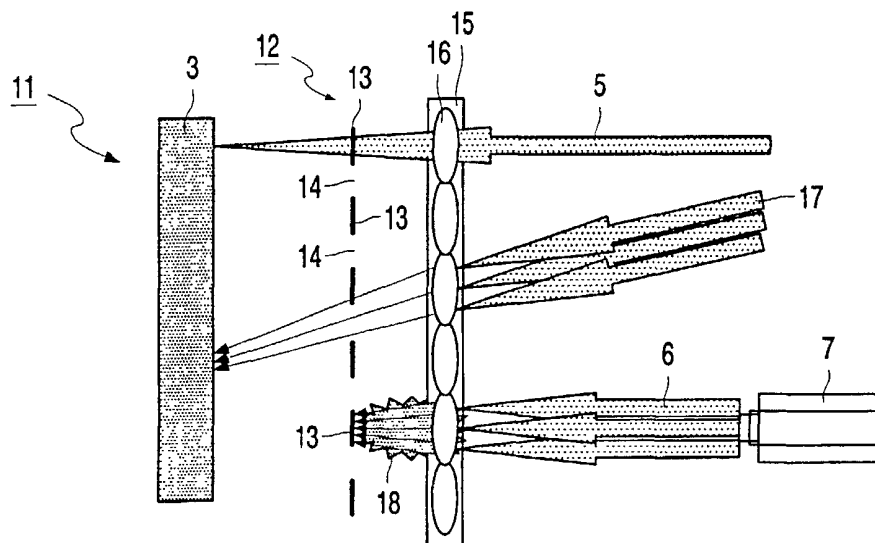
PCT

(10) International Publication Number
WO 01/69290 A3

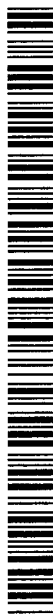
- (51) International Patent Classification⁷: **G02B 5/30**, G03B 21/60 **Adrianus, J., S., M.**: Prof. Holstlaan 6, NL-5656 AA Eindhoven (NL).
- (21) International Application Number: PCT/EP01/02417 (74) Agent: **BAELE, Ingrid, A., F., M.**: Internationaal Octrooibureau B.V., Prof Holstlaan 6, NL-5656 AA Eindhoven (NL).
- (22) International Filing Date: 5 March 2001 (05.03.2001)
- (25) Filing Language: English (81) Designated States (*national*): CN, JP, KR.
- (26) Publication Language: English (84) Designated States (*regional*): European patent (AT, BE, CH, CY, DE, DK, ES, FI, FR, GB, GR, IE, IT, LU, MC, NL, PT, SE, TR).
- (30) Priority Data: 00200941.3 15 March 2000 (15.03.2000) EP **Published:**
— with international search report
- (71) Applicant: **KONINKLIJKE PHILIPS ELECTRONICS N.V.** [NL/NL]; Groenewoudseweg 1, NL-5621 BA Eindhoven (NL). (88) Date of publication of the international search report: 24 January 2002

- (72) Inventors: **LAMBERT, Nicolaas**: Prof. Holstlaan 6, NL-5656 AA Eindhoven (NL). **BROER, Dirk, J.**: Prof. Holstlaan 6, NL-5656 AA Eindhoven (NL). **DE VAAN**,
For two-letter codes and other abbreviations, refer to the "Guidance Notes on Codes and Abbreviations" appearing at the beginning of each regular issue of the PCT Gazette.

(54) Title: PROJECTION SCREEN



(57) Abstract: A projection screen providing an improved contrast between projected light and ambient light, which projection screen comprises a light-absorbing layer and an active layer located in front of said light-absorbing layer. The active layer is transparent to light having a first direction of polarization and reflective to light having a second direction of polarization. The reflecting polarizing layer may be provided between the active layer and the light-absorbing layer.



WO 01/69290 A3

INTERNATIONAL SEARCH REPORT

International Application No

PC1/EP 01/02417

A. CLASSIFICATION OF SUBJECT MATTER
 IPC 7 G02B5/30 G03B21/60

According to International Patent Classification (IPC) or to both national classification and IPC

B. FIELDS SEARCHED

Minimum documentation searched (classification system followed by classification symbols)

IPC 7 G02B G03B

Documentation searched other than minimum documentation to the extent that such documents are included in the fields searched

Electronic data base consulted during the international search (name of data base and, where practical, search terms used)

EPO-Internal, WPI Data, PAJ

C. DOCUMENTS CONSIDERED TO BE RELEVANT

Category *	Citation of document, with indication, where appropriate, of the relevant passages	Relevant to claim No.
X	EP 0 648 048 A (PHILIPS ELECTRONICS NV) 12 April 1995 (1995-04-12) column 7 -column 9; figure 1 ---	1
A	PATENT ABSTRACTS OF JAPAN vol. 1996, no. 04, 30 April 1996 (1996-04-30) & JP 07 333428 A (MITSUBISHI RAYON CO LTD), 22 December 1995 (1995-12-22) abstract ---	1
A	WO 00 04420 A (KONINKL PHILIPS ELECTRONICS NV) 27 January 2000 (2000-01-27) page 6 -page 7; figure 2 ---	1
A	WO 92 21046 A (TECHNOLOGY PARTNERSHIP) 26 November 1992 (1992-11-26) page 9; figure 2 ---	1
	-/--	

Further documents are listed in the continuation of box C.

Patent family members are listed in annex.

* Special categories of cited documents :

- *A* document defining the general state of the art which is not considered to be of particular relevance
- *E* earlier document but published on or after the international filing date
- *L* document which may throw doubts on priority claim(s) or which is cited to establish the publication date of another citation or other special reason (as specified)
- *O* document referring to an oral disclosure, use, exhibition or other means
- *P* document published prior to the international filing date but later than the priority date claimed

- *T* later document published after the international filing date or priority date and not in conflict with the application but cited to understand the principle or theory underlying the invention
- *X* document of particular relevance: the claimed invention cannot be considered novel or cannot be considered to involve an inventive step when the document is taken alone
- *Y* document of particular relevance: the claimed invention cannot be considered to involve an inventive step when the document is combined with one or more other such documents, such combination being obvious to a person skilled in the art.
- *&* document member of the same patent family

Date of the actual completion of the international search

22 October 2001

Date of mailing of the international search report

31/10/2001

Name and mailing address of the ISA

European Patent Office, P.B. 5818 Patentlaan 2
 NL - 2280 HV Rijswijk
 Tel. (+31-70) 340-2040, Tx. 31 651 epo nl,
 Fax: (+31-70) 340-3016

Authorized officer

Hervé, D

INTERNATIONAL SEARCH REPORT

International Application No

PCT/EP 01/02417

C.(Continuation) DOCUMENTS CONSIDERED TO BE RELEVANT

Category °	Citation of document, with indication, where appropriate, of the relevant passages	Relevant to claim No.
A	EP 0 490 391 A (TOPPAN PRINTING CO LTD) 17 June 1992 (1992-06-17) column 5, line 20 -column 6, line 55; figures 1,2 -----	1

INTERNATIONAL SEARCH REPORT

Information on patent family members

International Application No

PCT/EP 01/02417

Patent document cited in search report		Publication date	Patent family member(s)	Publication date
EP 0648048	A	12-04-1995	BE 1007592 A3 CN 1116802 A , B EP 0648048 A1 JP 7168129 A SG 48429 A1 US 5486884 A	16-08-1995 14-02-1996 12-04-1995 04-07-1995 17-04-1998 23-01-1996
JP 07333428	A	22-12-1995	NONE	
WO 0004420	A	27-01-2000	WO 0004420 A1 EP 1053505 A1 US 6282023 B1	27-01-2000 22-11-2000 28-08-2001
WO 9221046	A	26-11-1992	AU 1667192 A WO 9221046 A1	30-12-1992 26-11-1992
EP 0490391	A	17-06-1992	JP 4301830 A JP 4301831 A JP 4318829 A JP 4219745 A CA 2057571 A1 DE 69117892 D1 DE 69117892 T2 EP 0490391 A2 US 5148309 A	26-10-1992 26-10-1992 10-11-1992 10-08-1992 15-06-1992 18-04-1996 05-09-1996 17-06-1992 15-09-1992