

[54] HEAT SAVING DEVICE

[76] Inventor: Donald A. Lindsey, Rte. 7, Box 7095-C, Nampa, Id. 83651

[**] Term: 14 Years

[21] Appl. No.: 505,851

[22] Filed: Jun. 20, 1983

[52] U.S. Cl. D23/136

[58] Field of Search D23/127, 136, 95; 237/55; 165/DIG. 2; 34/86

[56] References Cited

U.S. PATENT DOCUMENTS

386,978	7/1888	Gran	165/DIG. 2
1,785,649	12/1930	Rich	165/95
2,147,658	2/1939	Lepick	165/95
3,913,663	10/1975	Gates	237/55 X

4,313,562 2/1982 White 237/55

Primary Examiner—Catherine E. Kemper
Attorney, Agent, or Firm—W. Boswell Childs

[57] CLAIM

The ornamental design for a heat saving device, as shown.

DESCRIPTION

FIG. 1 is a perspective view showing the left side, front and a portion of the top of the heat saving device showing my new design;

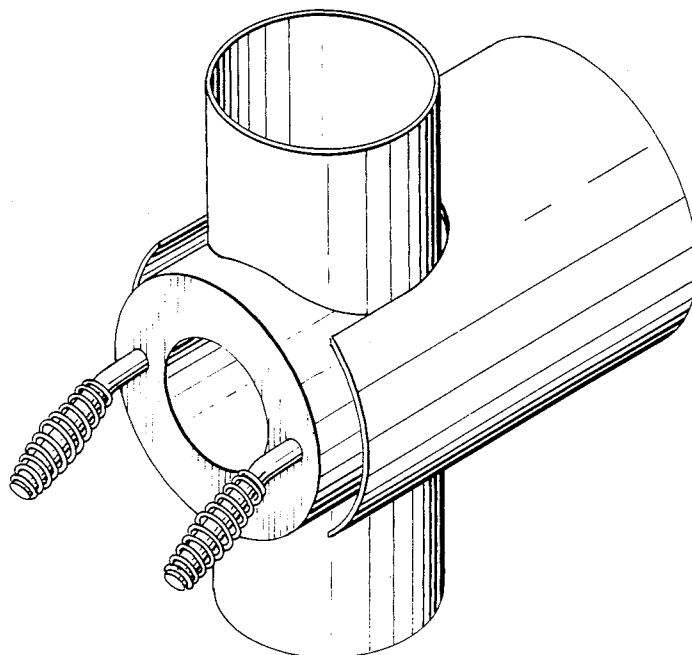
FIG. 2 is a front elevational view of the heat saving device;

FIG. 3 is a rear elevational view;

FIG. 4 is a right side elevational view;

FIG. 5 is a top plan view; and

FIG. 6 is a bottom plan view.



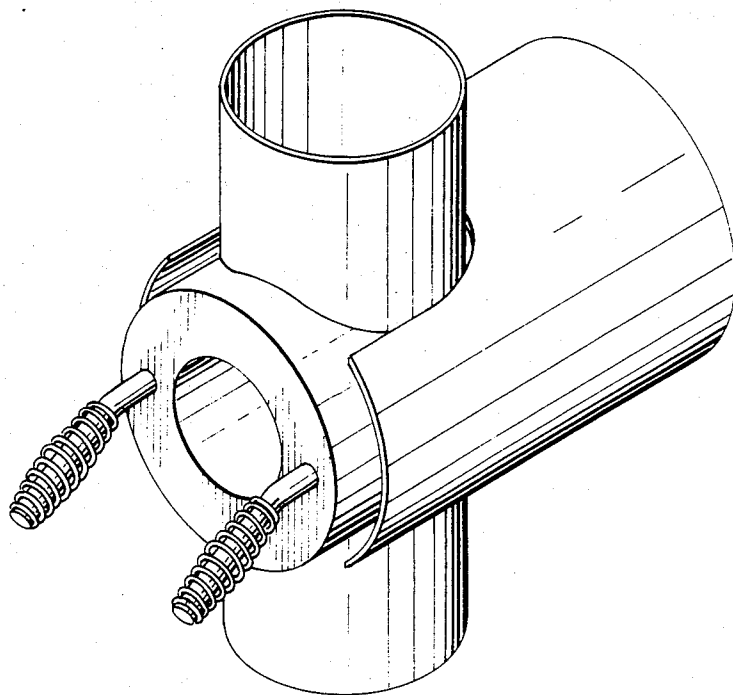


FIG. 1

FIG. 2

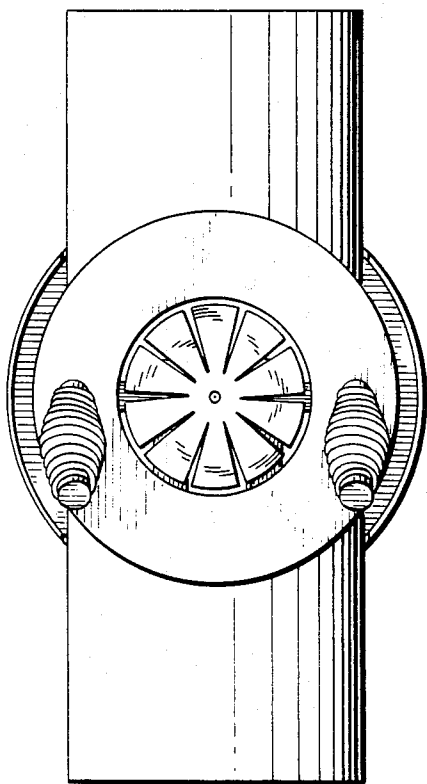


FIG. 3

