



US00D430331S

**United States Patent** [19]  
**Bleisch**

[11] **Patent Number: Des. 430,331**  
[45] **Date of Patent: \*\* Aug. 29, 2000**

- [54] **CHANDELIER**
- [75] Inventor: **Nelson J. Bleisch**, Bratenahl, Ohio
- [73] Assignee: **The L.D. Kichler Co.**, Cleveland, Ohio
- [\*\*] Term: **14 Years**
- [21] Appl. No.: **29/116,881**
- [22] Filed: **Jan. 12, 2000**
- [51] **LOC (7) Cl.** ..... **26-05**
- [52] **U.S. Cl.** ..... **D26/91; D26/142**
- [58] **Field of Search** ..... D26/72, 80-92,  
D26/142, 143, 149, 156; 362/147, 404-408

[56] **References Cited**  
U.S. PATENT DOCUMENTS

- D. 330,948 11/1992 Glassman ..... D26/91
- D. 384,432 9/1997 Octavio ..... D26/84

D. 391,011 2/1998 Von Kluck ..... D26/142  
*Primary Examiner*—Susan J. Lucas  
*Attorney, Agent, or Firm*—Watts, Hoffmann, Fisher & Heinke, Co., L. P. A.

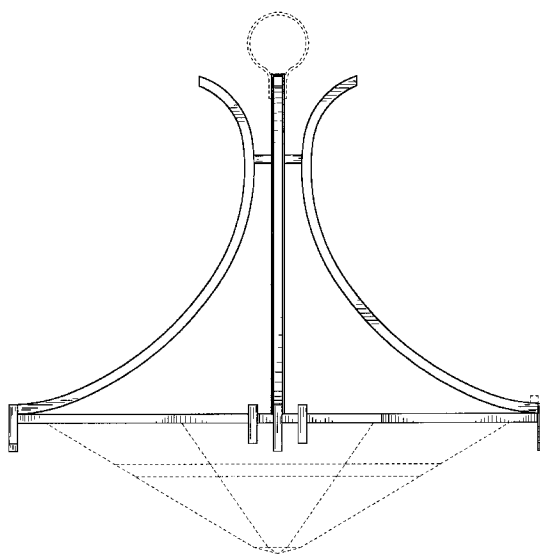
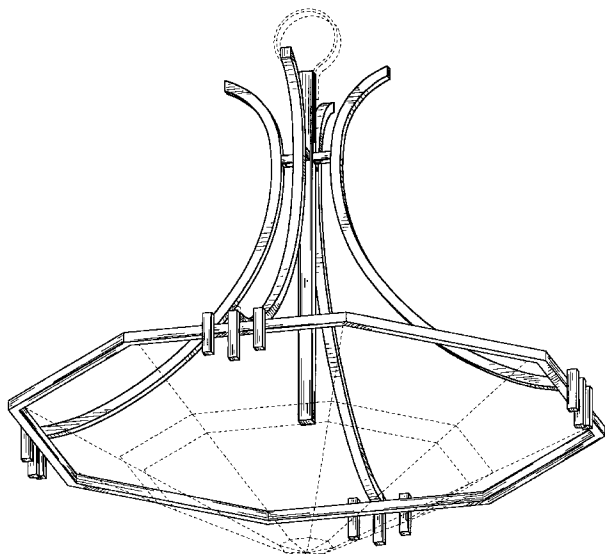
[57] **CLAIM**

I claim the ornamental design for a chandelier, as shown and described.

**DESCRIPTION**

FIG. 1 is a perspective view of a chandelier showing my new design;  
FIG. 2 is a front elevational view of the chandelier, the right, left and rear elevational views being identical;  
FIG. 3 is a top plan view of the chandelier; and,  
FIG. 4 is a bottom plan view of the chandelier.  
The broken lines shown are for illustrative purposes only and form no part of the claimed design.

**1 Claim, 3 Drawing Sheets**



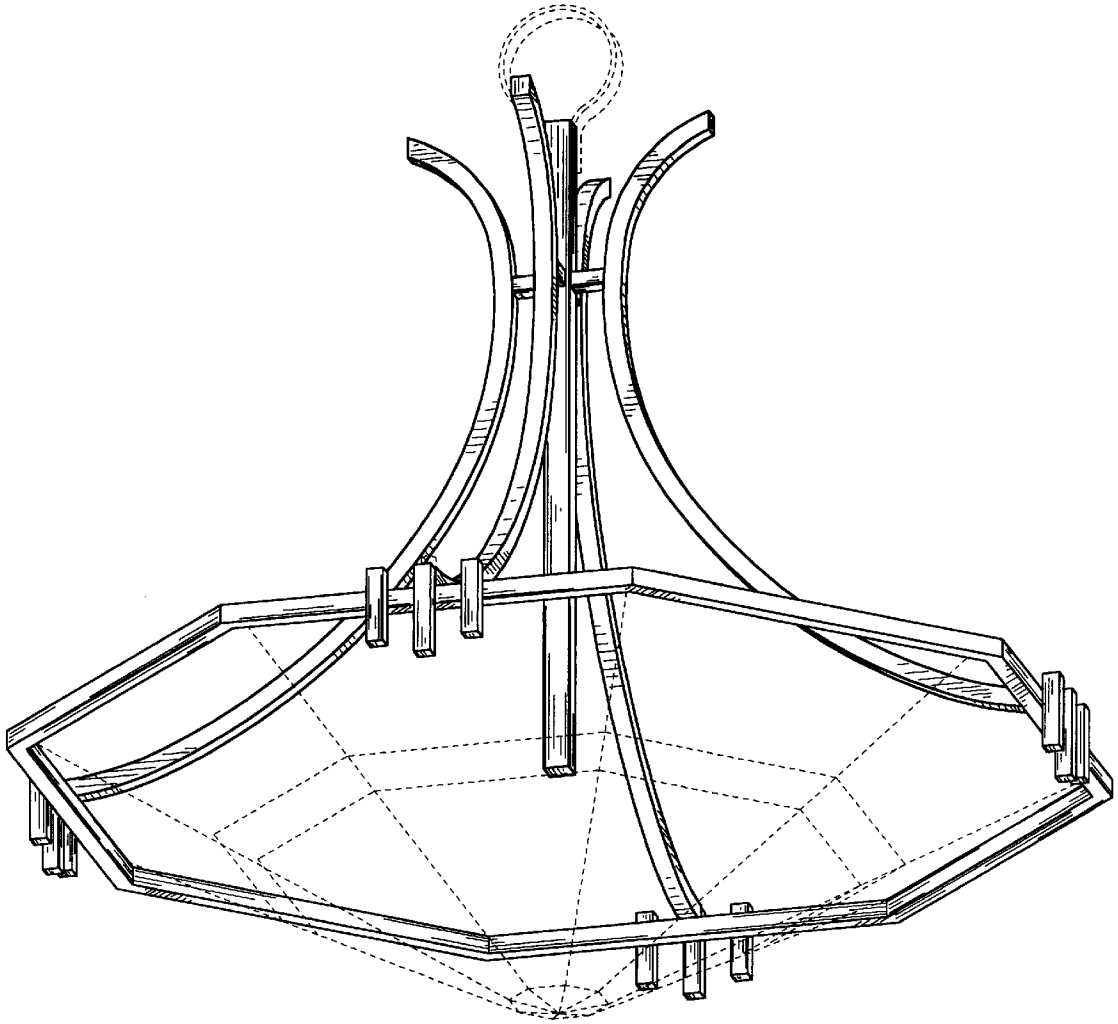


Fig.1

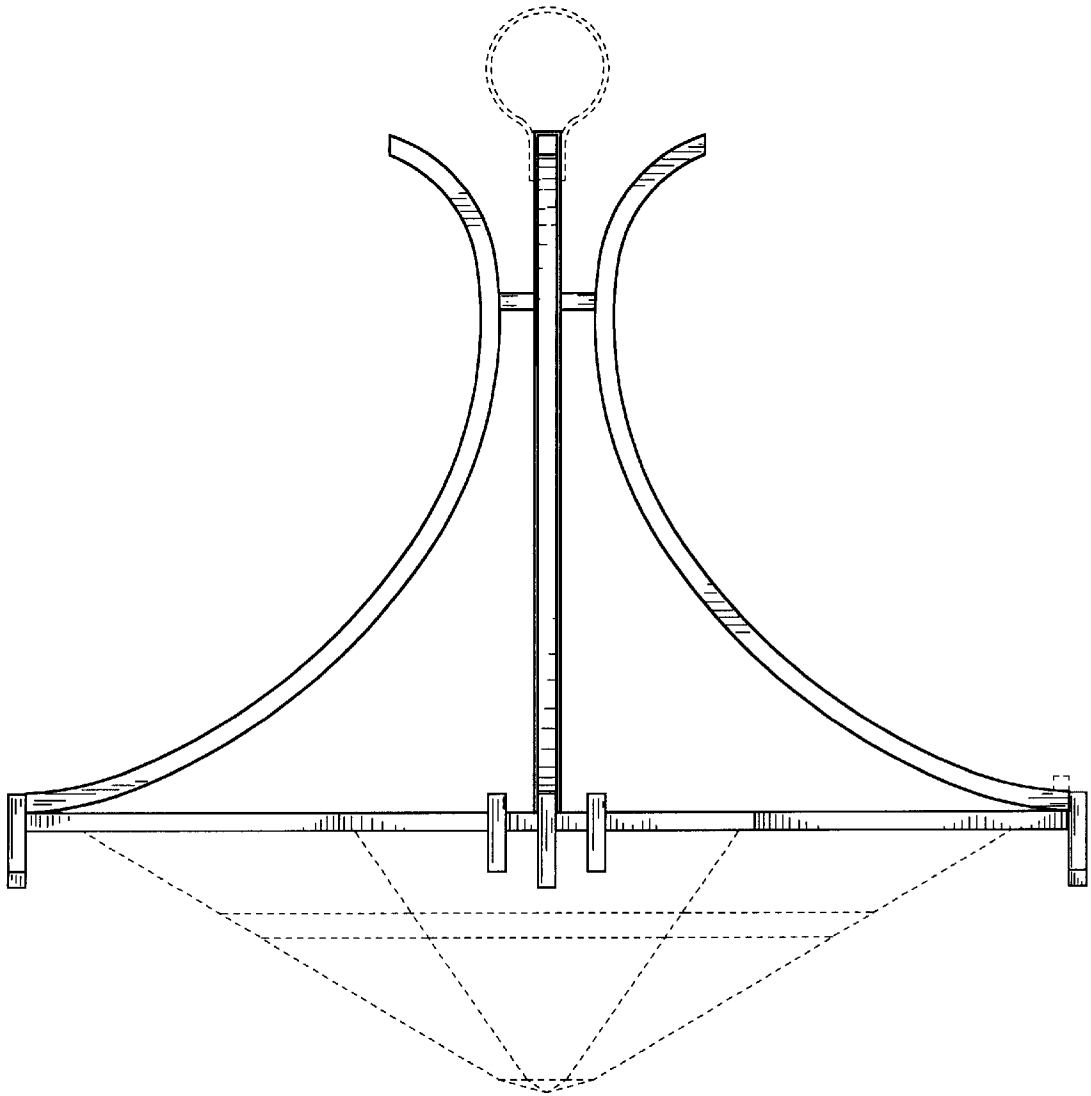


Fig.2

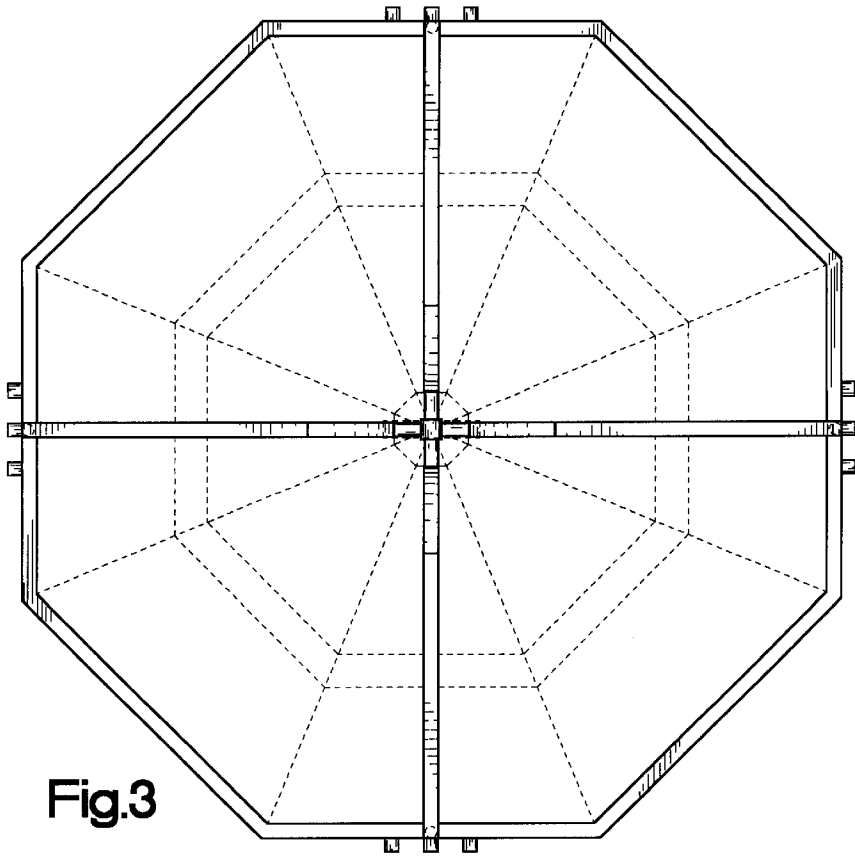


Fig.3

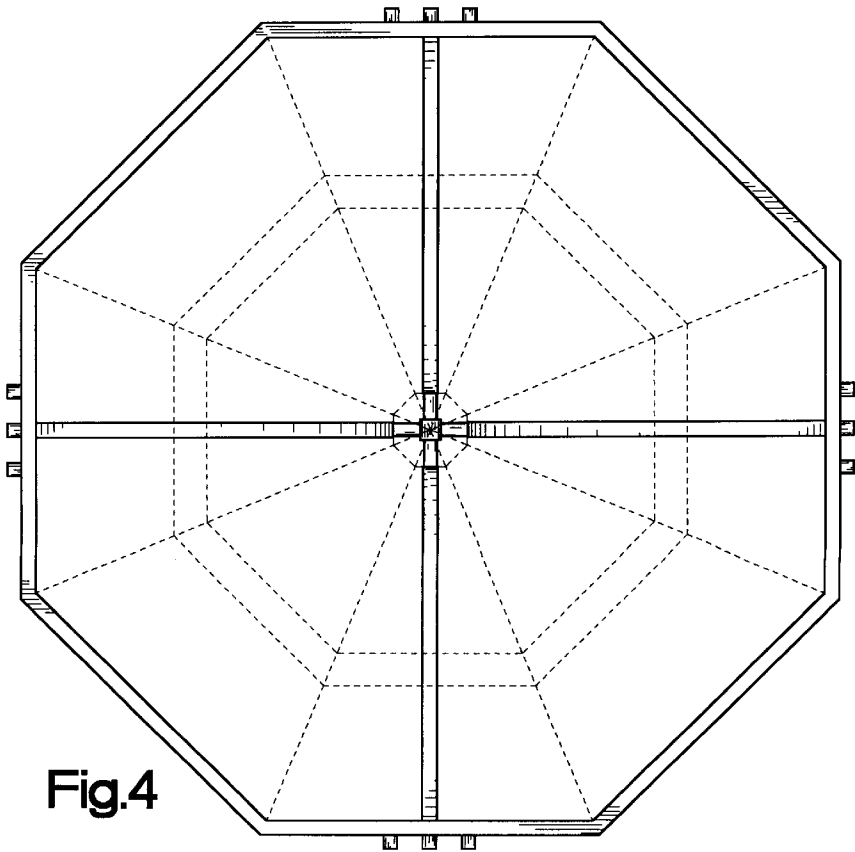


Fig.4