



US00D487706S

(12) **United States Design Patent** (10) **Patent No.:** **US D487,706 S**  
**Lau** (45) **Date of Patent:** **\*\* Mar. 23, 2004**

(54) **ELECTRONIC WEIGHING SCALE WITH PAN**

(74) *Attorney, Agent, or Firm*—Alix, Yale & Ristas, LLP

(75) **Inventor:** **Yiu Tsan Lau, Kowloon (CN)**

(57) **CLAIM**

The ornamental design for an electronic weighing scale with pan, as shown and described.

(73) **Assignee:** **Best Household Products Ltd., Kowloon (CN)**

**DESCRIPTION**

(\*\*) **Term:** **14 Years**

FIG. 1 is a front perspective view of the electronic weighing scale with pan showing my new design;

(21) **Appl. No.:** **29/169,742**

FIG. 2 is a front perspective view of the electronic weighing scale with pan of FIG. 1 with the pan and the scale separated;

(22) **Filed:** **Oct. 25, 2002**

FIG. 3 is a front elevational view of the electronic weighing scale with pan of FIG. 1;

(51) **LOC (7) Cl.** ..... **10-04**

FIG. 4 is a rear elevational view of the electronic weighing scale with pan of FIG. 1;

(52) **U.S. Cl.** ..... **D10/91**

FIG. 5 is a left side elevational view of the electronic weighing scale with pan of FIG. 1;

(58) **Field of Search** ..... D10/91; 177/25.13, 177/25.15, 25.16, 238–245

FIG. 6 is a right side elevational view of the electronic weighing scale with pan of FIG. 1;

(56) **References Cited**

**U.S. PATENT DOCUMENTS**

D458,552 S \* 6/2002 Ekelund ..... D10/91

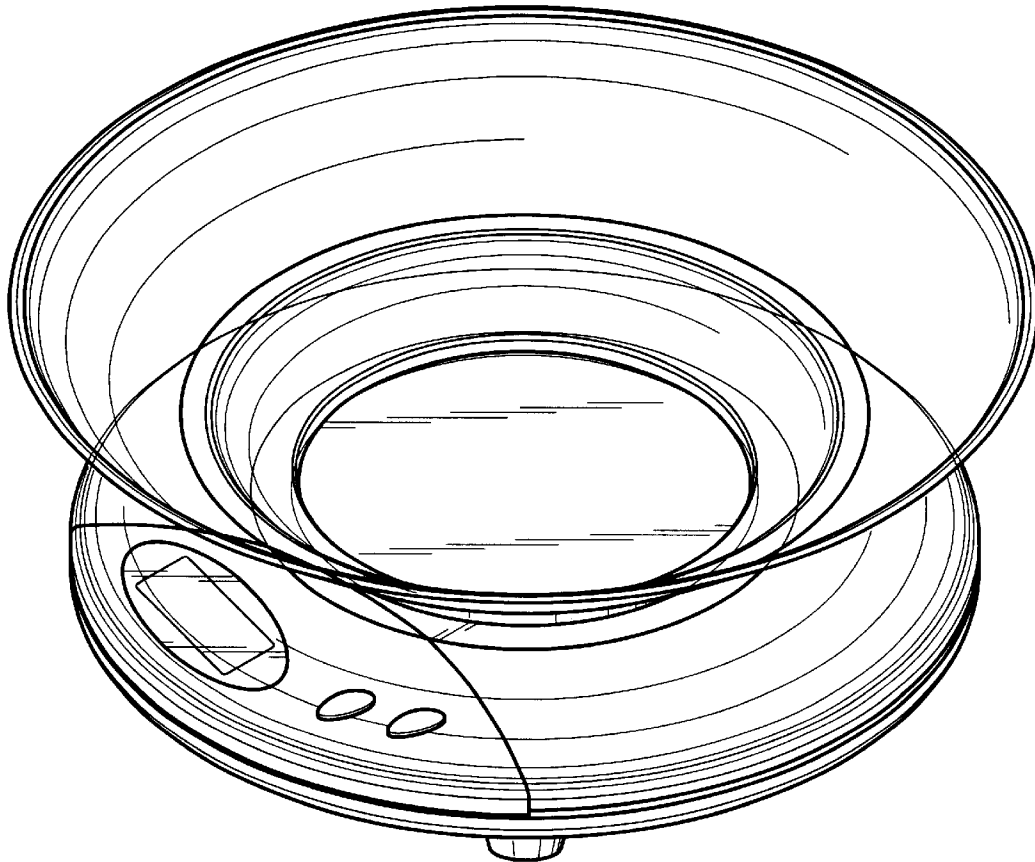
FIG. 7 is a top plan view of the electronic weighing scale with pan of FIG. 1; and,

\* cited by examiner

FIG. 8 is a bottom plan view of the electronic weighing scale with pan of FIG. 1.

*Primary Examiner*—Antoine Duval Davis

**1 Claim, 6 Drawing Sheets**



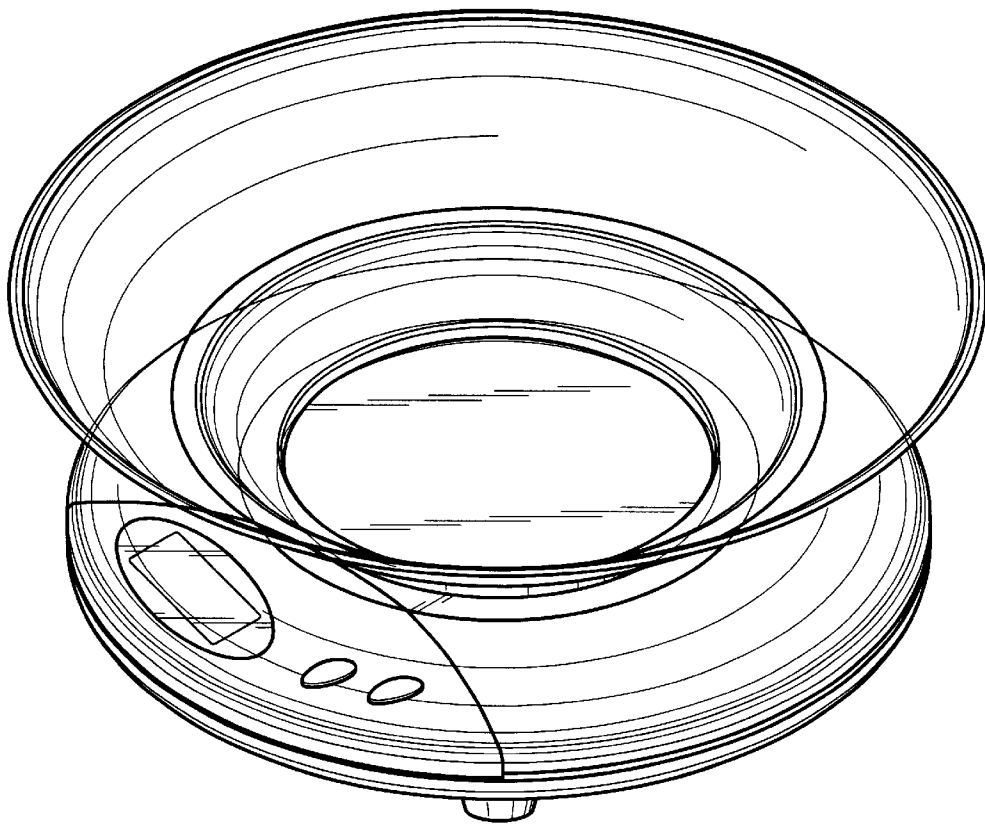


FIG. 1

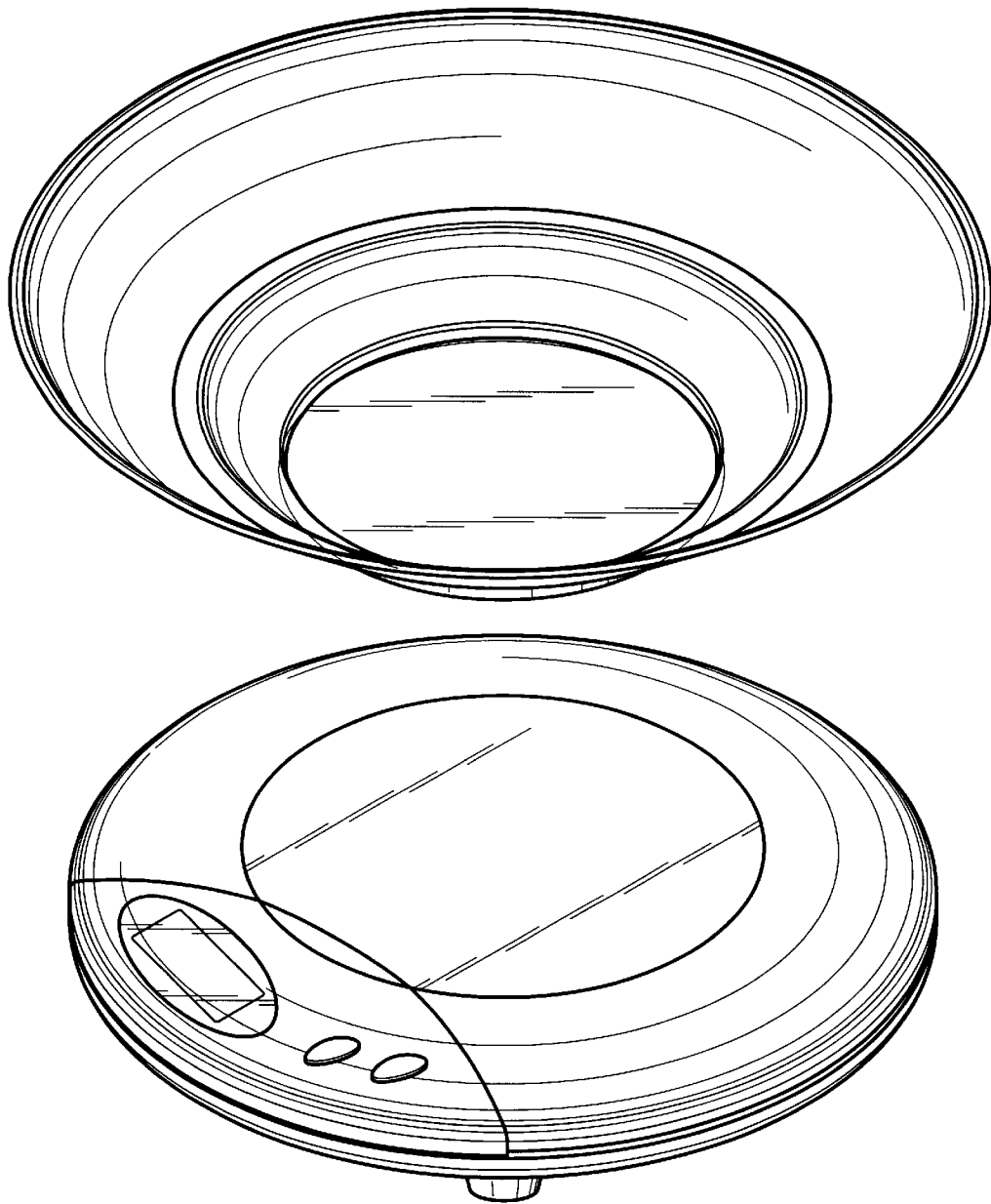


FIG. 2

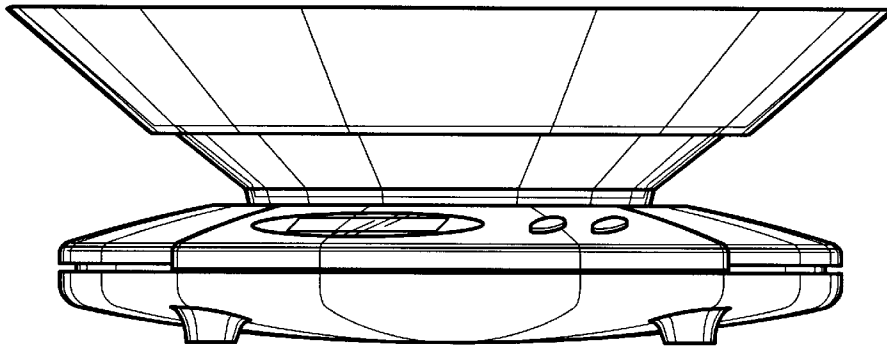


FIG. 3

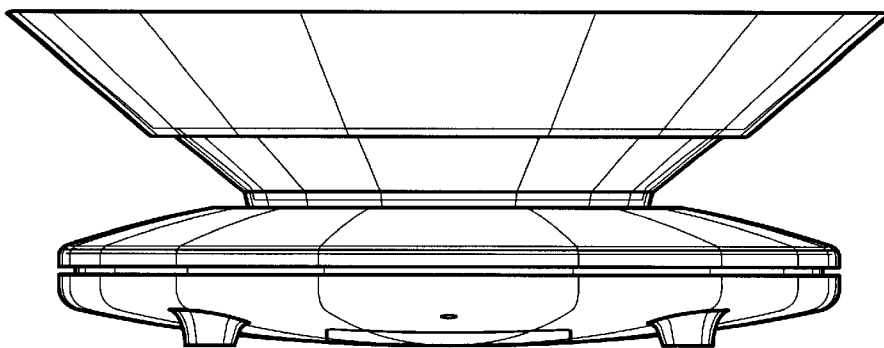


FIG. 4

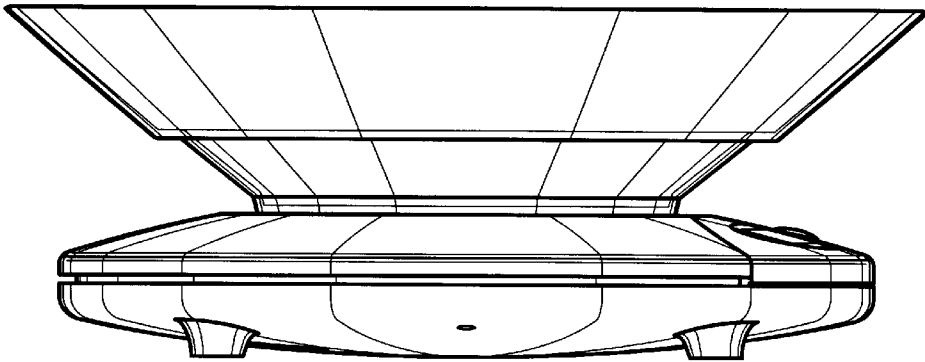


FIG. 5

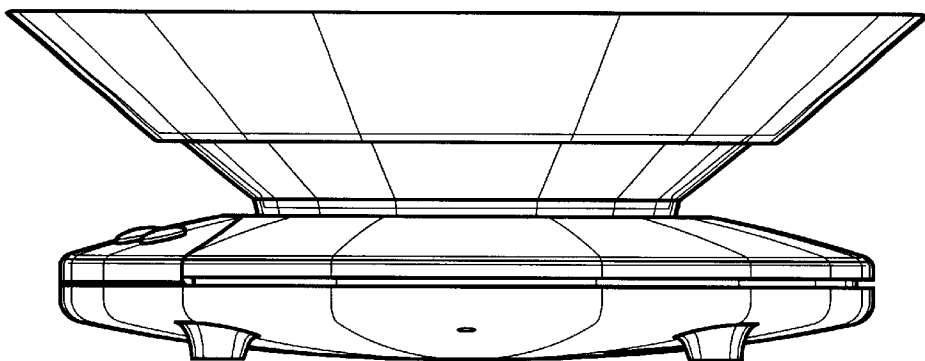


FIG. 6

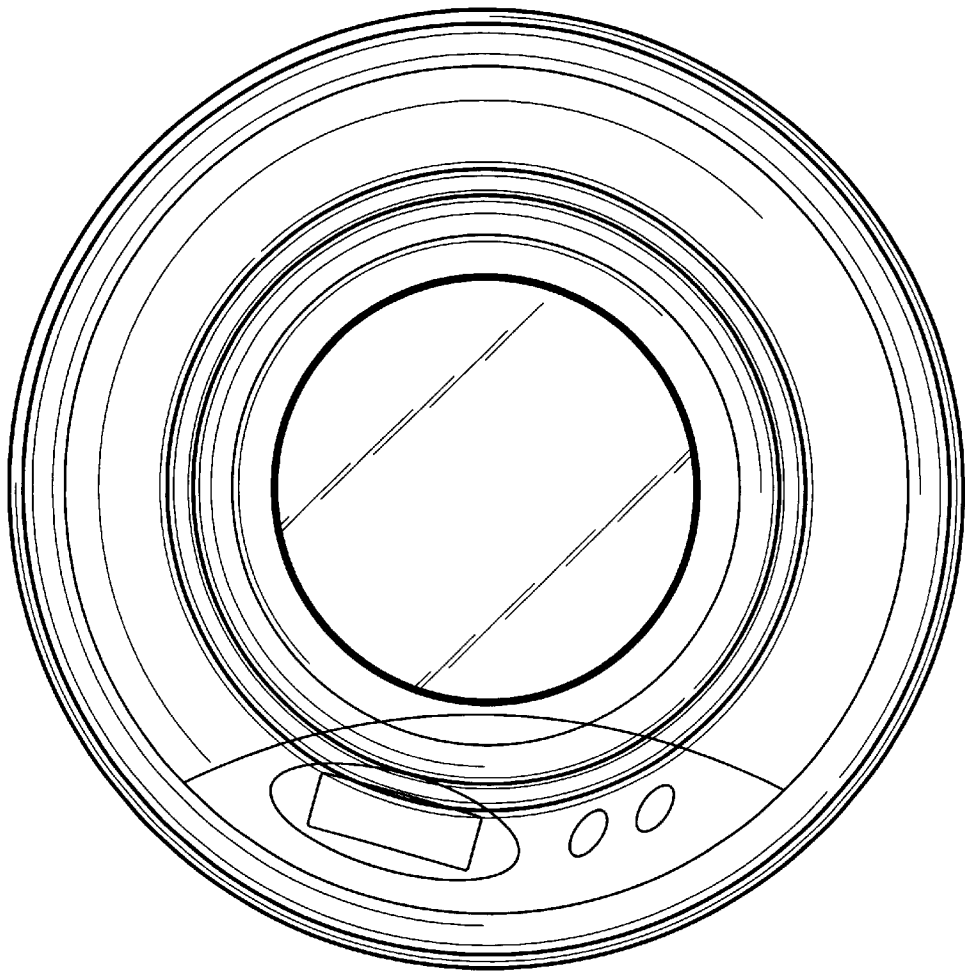


FIG. 7

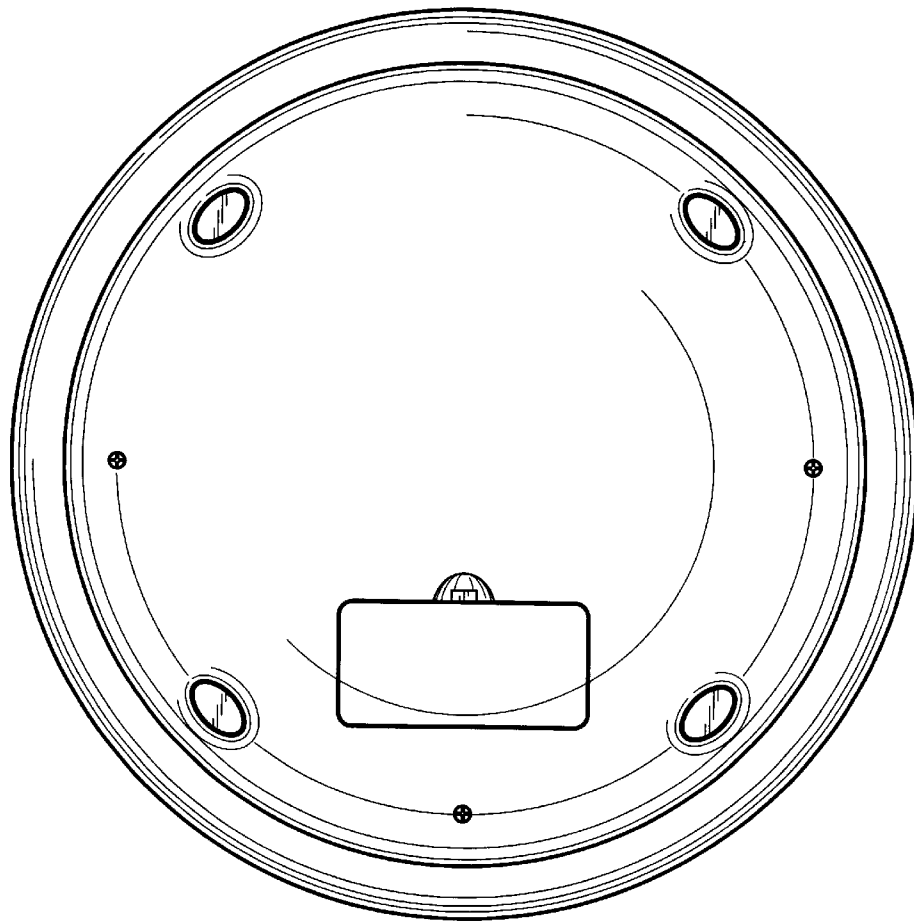


FIG. 8