



US00D572680S

(12) **United States Design Patent**
Lee et al.

(10) **Patent No.:** **US D572,680 S**

(45) **Date of Patent:** **** Jul. 8, 2008**

(54) **LCD TELEVISION SET**

(75) Inventors: **Seung-Ho Lee**, Seoul (KR); **Yun-Je Kang**, Seoul (KR)

(73) Assignee: **Samsung Electronics Co., Ltd.**, Kyunggi-do (KR)

(**) Term: **14 Years**

(21) Appl. No.: **29/286,895**

(22) Filed: **May 22, 2007**

(51) **LOC (8) Cl.** **14-03**

(52) **U.S. Cl.** **D14/126**

(58) **Field of Classification Search** D14/125-134, D14/239, 371, 136, 374-377, 440, 450, 448, D14/336, 342; 312/7.2; 348/836, 838, 180, 348/184, 325, 739; 341/12; 248/917-924, 248/465; 345/104, 133, 156, 168, 87, 173; 720/605, 669, 600, 655; 369/99, 197; D21/329, D21/515, 577, 622, 333, 433, 448, 452, 450, D21/331; D6/477, 479; 273/148 B; 446/484, 446/175, 356; D10/15, 26

See application file for complete search history.

(56) **References Cited**

U.S. PATENT DOCUMENTS

- D486,456 S * 2/2004 Fujiki D14/126
- D494,941 S 8/2004 Kim
- D497,352 S * 10/2004 Asanuma et al. D14/126
- D499,386 S 12/2004 Yang
- D512,424 S 12/2005 Kim
- D521,996 S 5/2006 Kim et al.
- D521,997 S 5/2006 Park et al.
- D522,509 S 6/2006 Park et al.
- D524,313 S 7/2006 Boo et al.
- D528,115 S 9/2006 Yoon
- D528,116 S 9/2006 Won et al.
- D529,910 S 10/2006 Ota
- D533,848 S 12/2006 Lee et al.
- D536,677 S 2/2007 Kim et al.
- D537,079 S 2/2007 Park
- D537,421 S * 2/2007 Hwang et al. D14/126

- D539,242 S 3/2007 Lee et al.
- D539,281 S 3/2007 Kim et al.
- D540,277 S 4/2007 Kim et al.
- D542,747 S 5/2007 Kim et al.
- D543,516 S * 5/2007 Han et al. D14/126
- D549,674 S * 8/2007 Lee et al. D14/126

OTHER PUBLICATIONS

- U.S. Appl. No. 29/256,593, Applicant: Jae-Beom Park, et al., filed Mar. 22, 2006 entitled LCD Monitor.
- U.S. Appl. No. 29/263,587, Applicant: Yong-Joo Lee, et al., filed Jul. 26, 2006 entitled LCD Monitor.
- U.S. Appl. No. 29/263,583, Applicant: Ki-Soo Kim, et al., filed Jul. 26, 2006 entitled LCD Monitor.
- U.S. Appl. No. 29/236,966, Applicant: Jun-Ho Yang, et al., filed Aug. 24, 2005 entitled LCD Television.
- U.S. Appl. No. 29/236,965, Applicant: Jun-Ho Yang, et al., filed Aug. 24, 2005 entitled Television.
- U.S. Appl. No. 29/264,715, Applicant: Tetsu Kataoka, et al., filed Aug. 16, 2006 entitled LCD Monitor.
- U.S. Appl. No. 29/263,580, Applicant: Tae-Yeon Won, et al., filed Jul. 26, 2006 entitled LCD Monitor.

(Continued)

Primary Examiner—Raphael Barkai
(74) *Attorney, Agent, or Firm*—Flynn, Thiel, Boutell & Tanis, P.C.

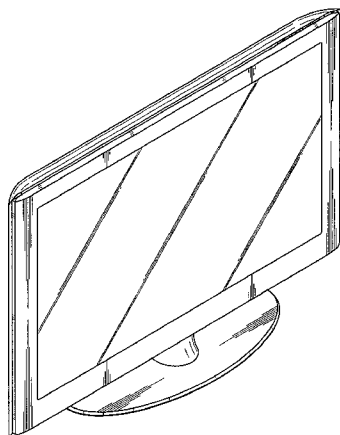
(57) **CLAIM**

The ornamental design for a LCD television set, as shown and described.

DESCRIPTION

- FIG. 1 is a top front perspective view of a LCD television set showing our new design;
- FIG. 2 is a front elevational view thereof;
- FIG. 3 is a rear elevational view thereof;
- FIG. 4 is a left side elevational view thereof;
- FIG. 5 is a right side elevational view thereof;
- FIG. 6 is a top plan view thereof; and,
- FIG. 7 is a bottom plan view thereof.

1 Claim, 4 Drawing Sheets



OTHER PUBLICATIONS

U.S. Appl. No. 29/258,368, Applicant: Tae-Yeon Won, et al., filed Apr. 20, 2006 entitled LCD Monitor.
U.S. Appl. No. 29/258,362, Applicant: Eui-Seok Kim, filed Apr. 20, 2006 entitled LCD Monitor.
U.S. Appl. No. 29/258,364, Applicant: Eui-Seok Kim, filed Apr. 20, 2006 entitled LCD Monitor.
U.S. Appl. No. 29/258,365, Applicant: Eui-Seok Kim, filed Apr. 20, 2006 entitled LCD Monitor.
U.S. Appl. No. 29/258,366, Applicant: Eui-Seok Kim, filed Apr. 20, 2006 entitled LCD Monitor.
U.S. Appl. No. 29/258,363, Applicant: Eui-Seok Kim, filed Apr. 20, 2006 entitled LCD Monitor.
U.S. Appl. No. 29/258,367, Applicant: Eui-Seok Kim, filed Apr. 20, 2006 entitled LCD Monitor.
U.S. Appl. No. 29/258,360, Applicant: Eui-Seok Kim, filed Apr. 20, 2006 entitled LCD Monitor.
U.S. Appl. No. 29/265,880, Applicant: Eui-Seok Kim, et al., filed Sep. 11, 2006 entitled LCD Monitor.
U.S. Appl. No. 29/263,587, Applicant: Yong-Joo Lee, et al. entitled LCD Monitor.

U.S. Appl. No. 29/263,582, Applicant: Jae-Beom Park, et al., filed Jul. 26, 2006 entitled LCD Monitor.
U.S. Appl. No. 29/263,585, Applicant: Seung-Ho Lee, et al., filed Jul. 26, 2006 entitled LCD Television Set.
U.S. Appl. No. 29/269,009, Applicant: Jun-Ho Yang, et al., filed Nov. 17, 2006 entitled PDP Television Receiver.
U.S. Appl. No. 29/269,015, Applicant: Jun-Ho Yang, et al., filed Nov. 17, 2006 entitled PDP Television Receiver.
U.S. Appl. No. 29/269,013, Applicant: Jun-Ho Yang, et al., filed Nov. 17, 2006 entitled LCD Television Set.
U.S. Appl. No. 29/269,899, Applicant: Eui-Seok Kim, et al., filed Dec. 11, 2006 entitled LCD Monitor.
U.S. Appl. No. 29/271,977, Applicant: Jae-Beom Park, filed Jan. 30, 2007 entitled LCD Monitor.
U.S. Appl. No. 29/271,976, Applicant: Kyoung-Hoon Kim, et al., filed Jan. 30, 2007 entitled LCD Television Set.
U.S. Appl. No. 29/271,975, Applicant: Kyoung-Hoon Kim, et al., filed Jan. 30, 2007 entitled LCD Television Set.
U.S. Appl. No. 29/286,893, Applicant: Seung-Ho Lee, et al., filed May 22, 2007 entitled LCD Television Set.

* cited by examiner

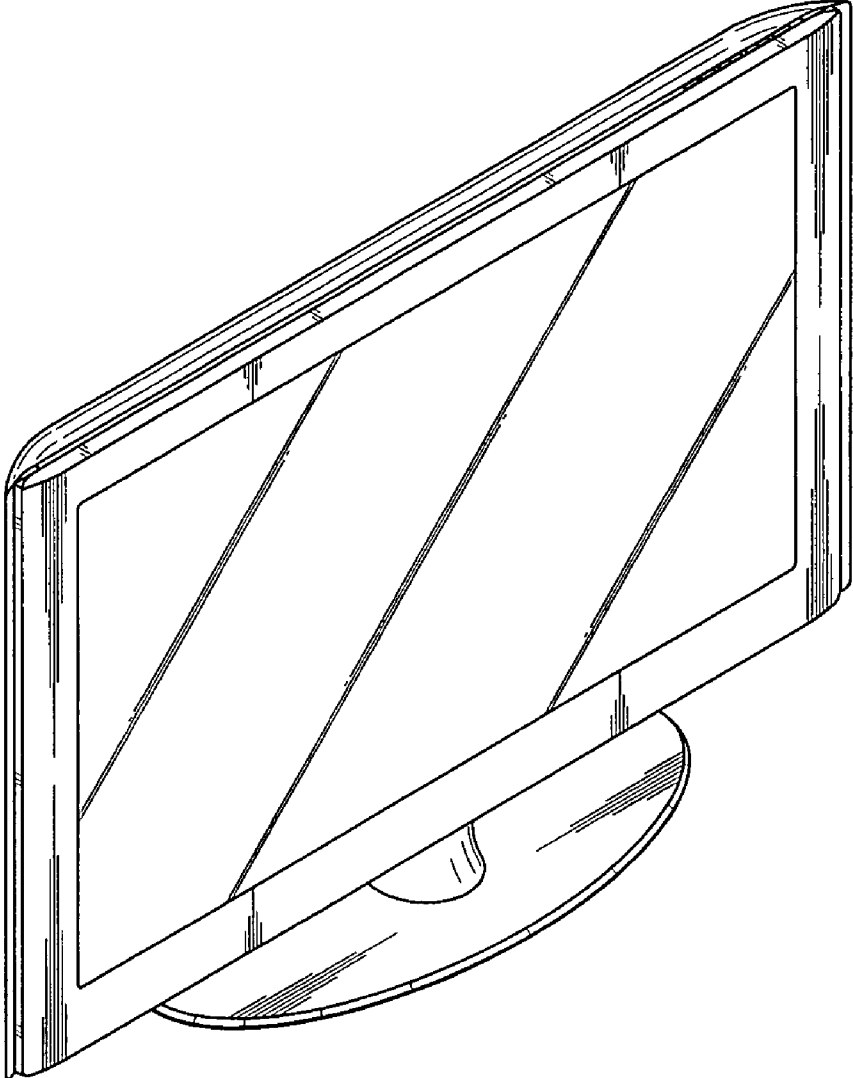


FIG. 1

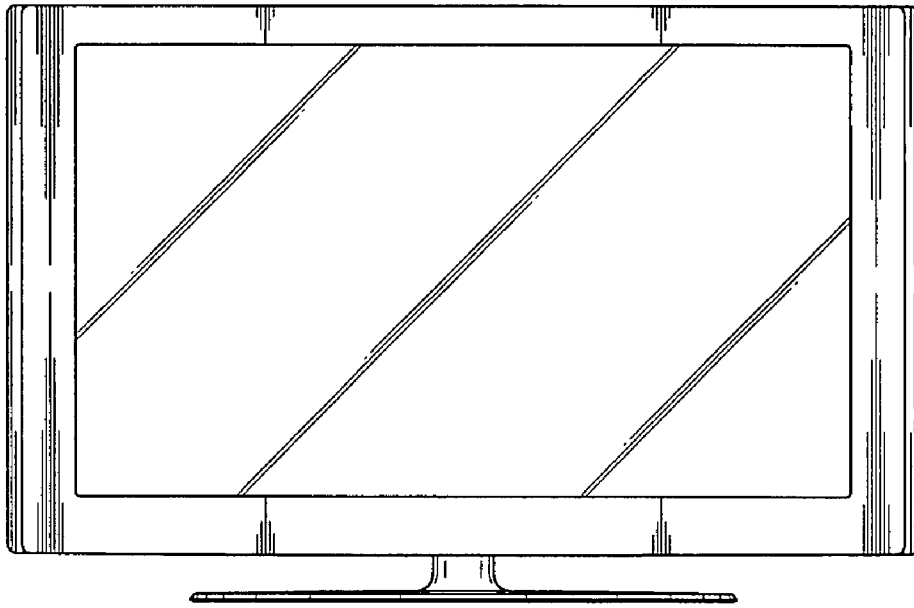


FIG. 2

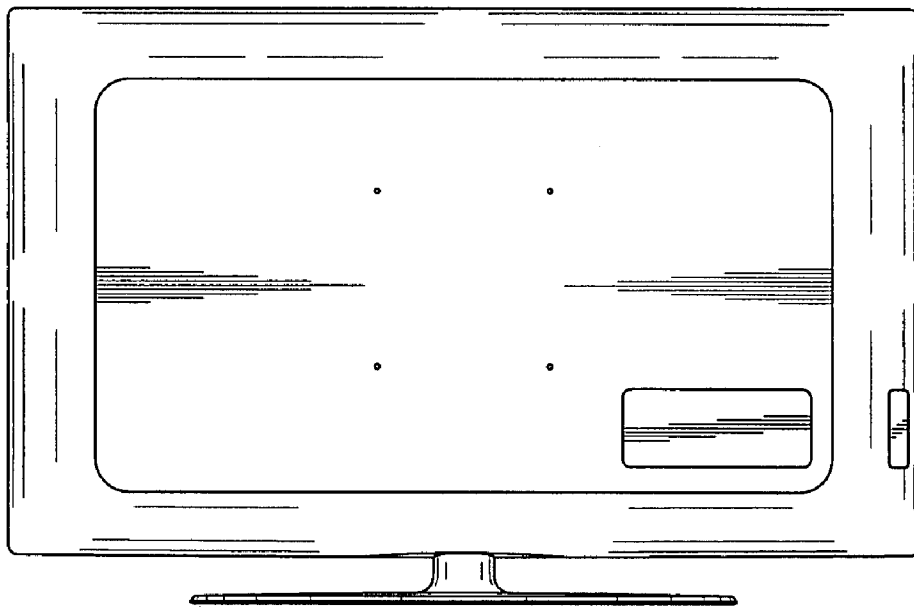


FIG. 3

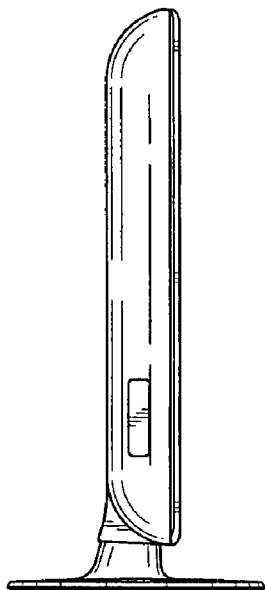


FIG. 4

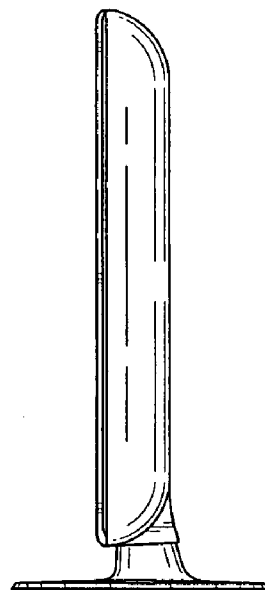


FIG. 5

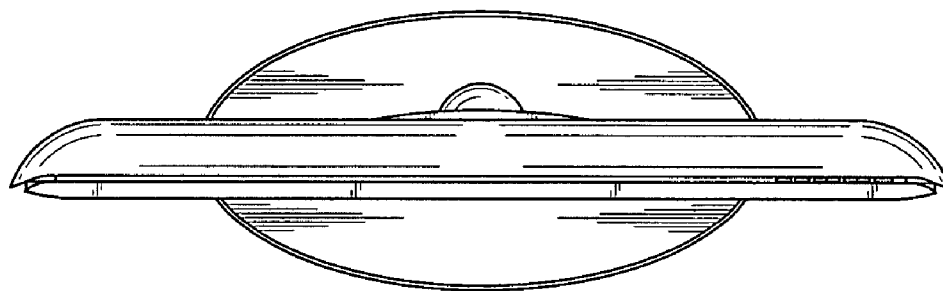


FIG. 6

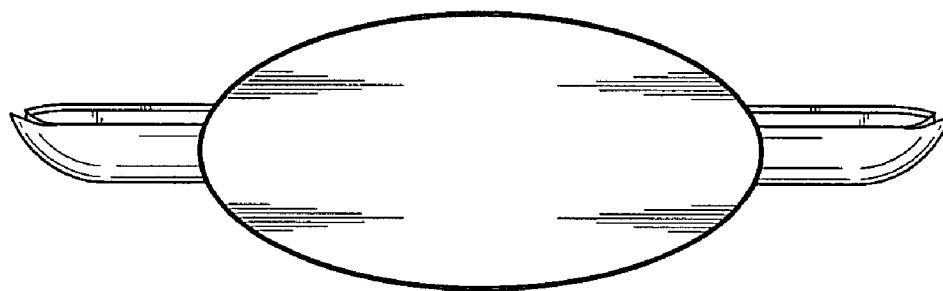


FIG. 7