



US00D338084S

United States Patent [19]

[11] Patent Number: **Des. 338,084**

Potti

[45] Date of Patent: **** Aug. 3, 1993**

[54] **COMBINED TONGUE CLEANER AND TOOTHPICK**

4,911,187 3/1990 Castillo 132/321

[76] Inventor: **Dasan Potti**, 533 Patriot Dr., Salisbury, Md. 21801

Primary Examiner—Wallace R. Burke

Assistant Examiner—M. H. Tung

Attorney, Agent, or Firm—Hodgson Russ Andrews Woods & Goodyear

[**] Term: **14 Years**

[21] Appl. No.: **801,101**

[57] CLAIM

The ornamental design for a combined tongue cleaner and toothpick, as shown and described.

[22] Filed: **Dec. 2, 1991**

[52] U.S. Cl. **D28/64**

[58] Field of Search D28/64; 132/323-329; D7/300.2; D4/104, 111-112; D24/149

DESCRIPTION

[56] References Cited

U.S. PATENT DOCUMENTS

- D. 221,036 6/1971 Potti .
- D. 276,088 10/1984 Fong D28/64
- D. 309,040 7/1990 Poon D28/64
- D. 376,617 4/1991 Cheung D28/64
- 2,574,654 11/1951 Moore D24/149 X
- 3,101,727 8/1963 Wiseman D28/64 X

FIG. 1 is a top plan view thereof;
 FIG. 2 is a bottom view thereof;
 FIG. 3 is a side view thereof;
 FIG. 4 is the other side view thereof;
 FIG. 5 is an end view thereof from the toothpick end;
 FIG. 6 is an end view thereof from the tongue cleaner end; and,
 FIGS. 7, 8, 9, and 10 are sectional views thereof taken along lines 7-7, 8-8, 9-9, and 10-10 respectively of FIG. 1.

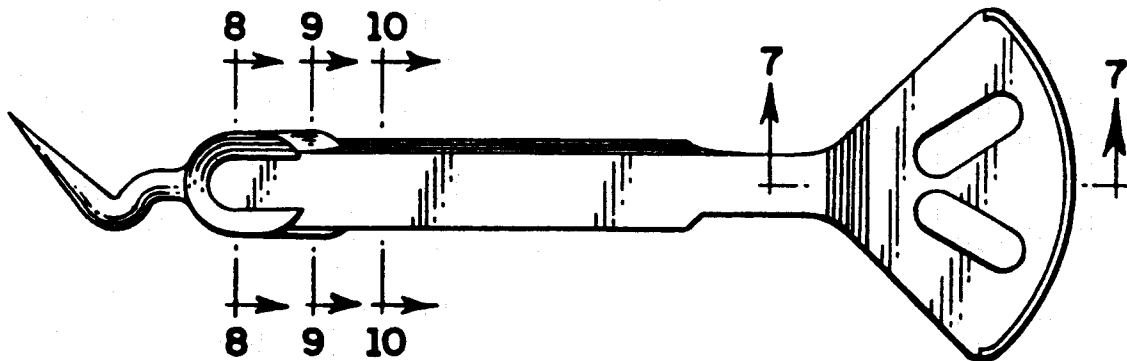


Fig. 1.

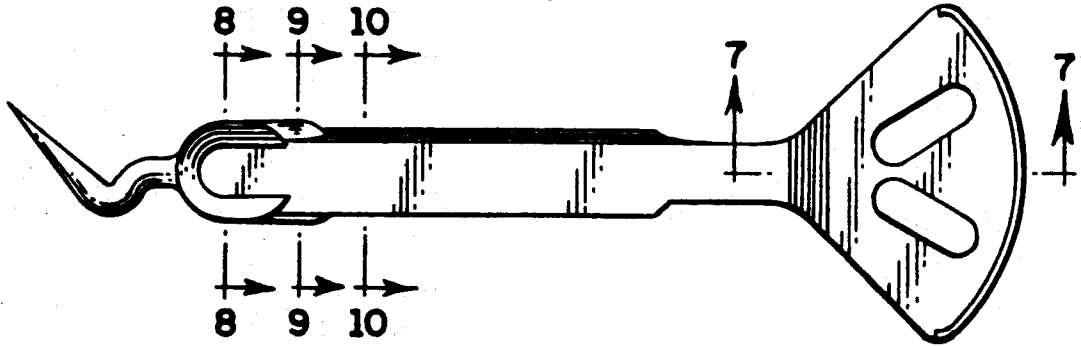


Fig. 7.



Fig. 2.

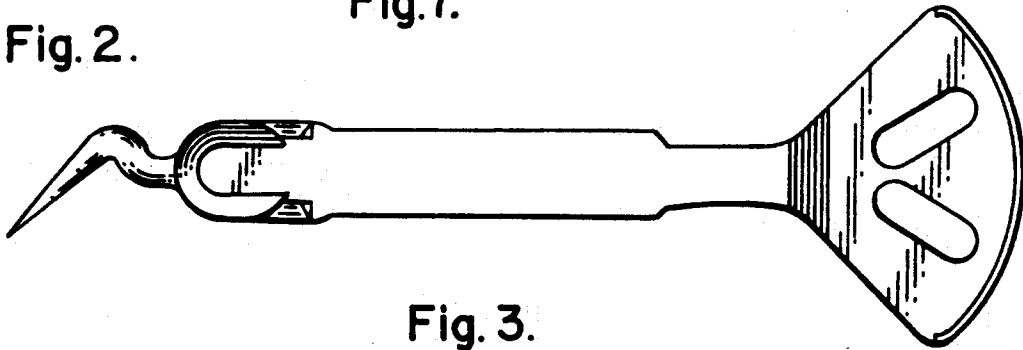


Fig. 3.

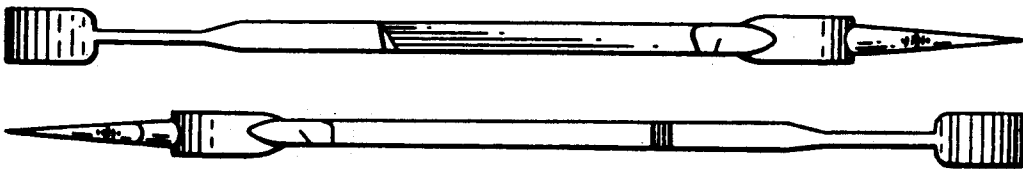


Fig. 4.



Fig. 5.



Fig. 6.

Fig. 9.

Fig. 8.



Fig. 10.