



US00D707151S

(12) **United States Design Patent**
Kimbrough et al.

(10) **Patent No.:** **US D707,151 S**

(45) **Date of Patent:** **** Jun. 17, 2014**

(54) **TRIPLE STACK BUTTON EARRING**

(71) Applicants: **Kirsten Kelly Kimbrough**, Roseville, CA (US); **Teresa Ann Kimbrough**, Lincoln, CA (US)

(72) Inventors: **Kirsten Kelly Kimbrough**, Roseville, CA (US); **Teresa Ann Kimbrough**, Lincoln, CA (US)

(**) Term: **14 Years**

(21) Appl. No.: **29/471,599**

(22) Filed: **Nov. 2, 2013**

(51) **LOC (10) Cl.** **11-01**

(52) **U.S. Cl.**
USPC **D11/40; D11/222**

(58) **Field of Classification Search**
USPC D11/40-51, 79-85, 1, 2, 222, 223, 226, D11/227, 228; 63/12, 13, 14.1-14.8, 1.11, 63/1.18, 20, 23, 26, 27, 28
See application file for complete search history.

(56) **References Cited**

U.S. PATENT DOCUMENTS

D101,594	S	*	10/1936	Carley	D11/222
4,033,063	A	*	7/1977	Mize	D22/128
D281,149	S	*	10/1985	Krogh	D11/41
D288,185	S	*	2/1987	Derosa	D11/226
D353,343	S	*	12/1994	Eberhardt	D10/104.1
D354,720	S	*	1/1995	Estes	D11/222
D361,740	S	*	8/1995	Kidd	D11/228
D378,578	S	*	3/1997	Eberhardt	D10/104.1
D390,162	S	*	2/1998	Philipson et al.	D11/222
D409,115	S	*	5/1999	Kidd	D11/226
D587,999	S	*	3/2009	Schulthess	D9/434
D600,151	S	*	9/2009	Steffensen	D10/104.1
D617,668	S	*	6/2010	Lodi	D10/106.91
D659,592	S	*	5/2012	Wang et al.	D11/222

OTHER PUBLICATIONS

- [Online] <http://media-cache-ec0.pinimg.com/236x/b6/38/4f/b6384f2b0ae2b5a3daf03dcf645bdce0.jpg>. Accessed Jan. 15, 2014.*
- [Online] <http://media-cache-ak0.pinimg.com/236x/68/d7/22/68d7224058fad3c8dfd62bce07065548.jpg>. Accessed Jan. 15, 2014.*
- [Online] <http://media-cache-ec0.pinimg.com/236x/20/ab/b9/20abb95dc87eec2e626e7f029c9ce221.jpg>. Accessed Jan. 15, 2014.*
- [Online] <http://media-cache-ec0.pinimg.com/236x/53/ea/c6/53eac6f68403488b710f2bf88196a18d.jpg>. Accessed Jan. 15, 2014.*

* cited by examiner

Primary Examiner — Garth Rademaker
Assistant Examiner — Melanie Pellegrini

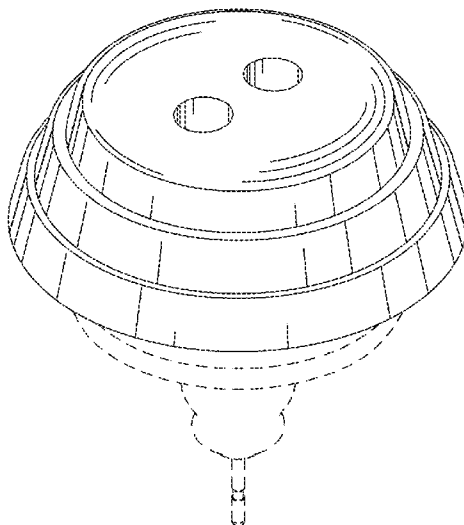
(57) **CLAIM**

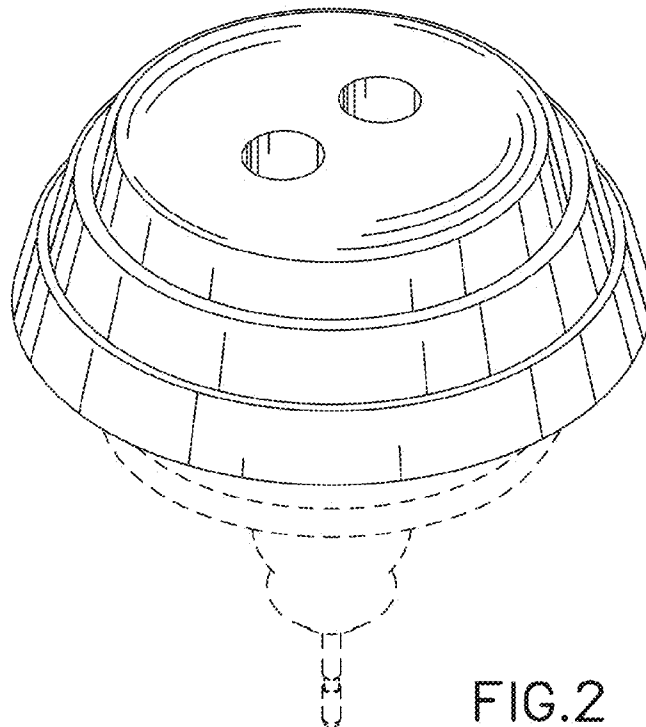
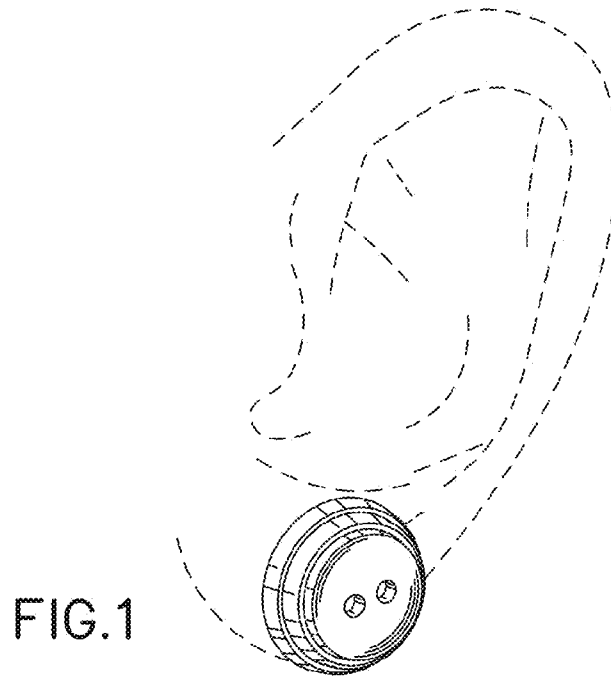
The ornamental design for a triple stack button earring, as shown and described.

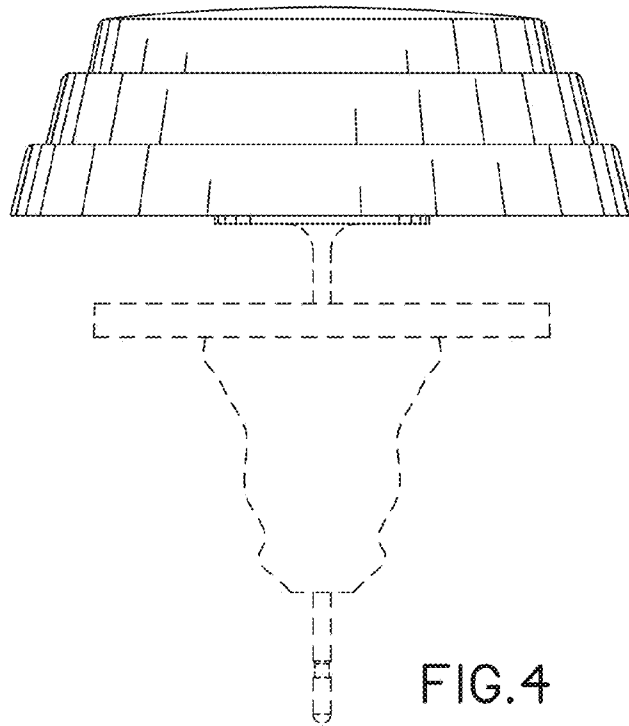
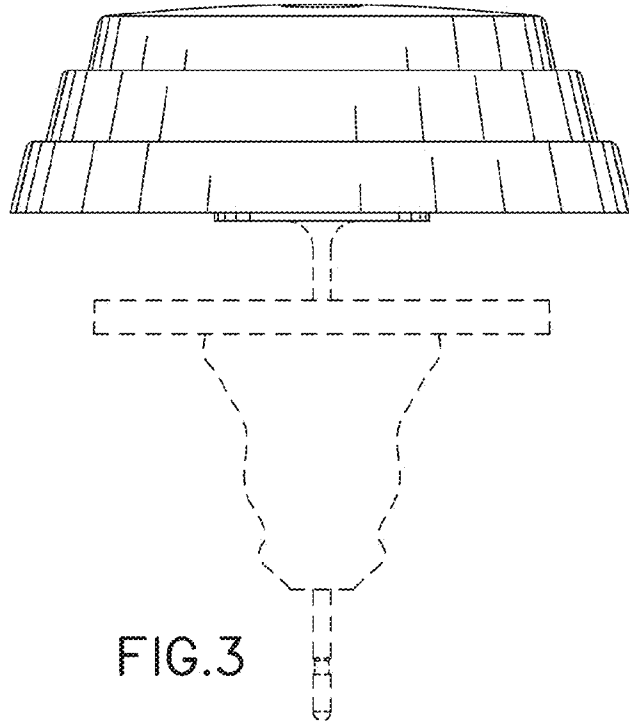
DESCRIPTION

FIG. 1 is a perspective view of a triple stack button earring; FIG. 2 is a perspective top view of the triple stack button earring; FIG. 3 is a front elevational view of a triple stack button earring; the rear elevational view being a mirror image thereof; FIG. 4 is a right side elevational view of a triple stack button earring; the left side elevational view being a mirror image thereof; FIG. 5 is a top plan view of the triple stack button earring; and, FIG. 6 is a cross sectional view of the triple stack button earring taken along line 6-6 in FIG. 5. The broken line rendering of an ear and earring back represent environmental matter and form no part of the claimed design.

1 Claim, 3 Drawing Sheets







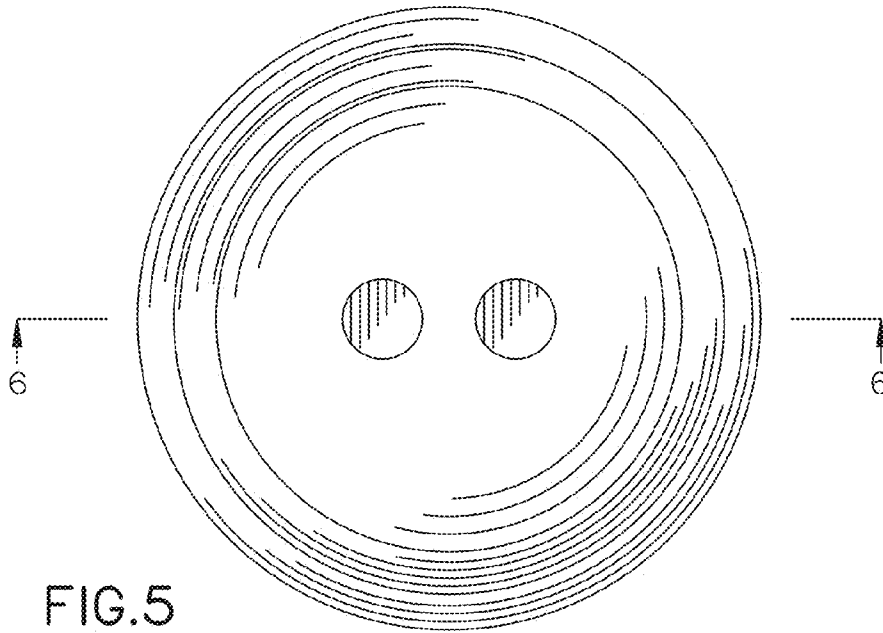


FIG.5

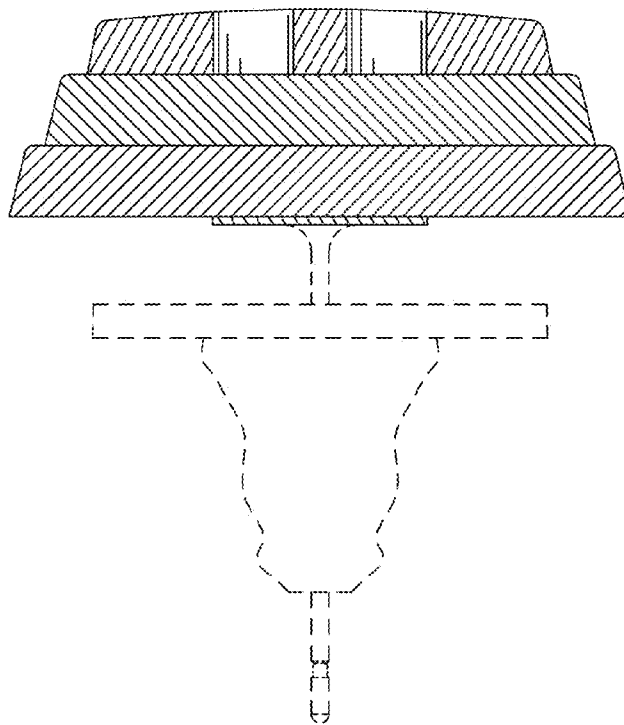


FIG.6