



- (51) International Patent Classification:  
*H05B 37/02* (2006.01)    *H05B 33/08* (2006.01)
- (21) International Application Number:  
PCT/US2013/049427
- (22) International Filing Date:  
5 July 2013 (05.07.2013)
- (25) Filing Language:  
English
- (26) Publication Language:  
English
- (30) Priority Data:  
61/669,319            9 July 2012 (09.07.2012)            US  
13/934,607            3 July 2013 (03.07.2013)            US
- (71) Applicant: **ILUMISYS, INC.** [US/US]; 1820 East Big Beaver Rd., Troy, Michigan 48083-2031 (US).
- (72) Inventors: **IVEY, John**; c/o iLumisys, Inc., 1820 East Big Beaver Rd., Troy, Michigan 48083-2031 (US). **SIMON, David L.**; c/o iLumisys, Inc., 1820 East Big Beaver Rd., Troy, Michigan 48083-2031 (US). **NGO, Hoan**; c/o iLumisys, Inc., 1820 East Big Beaver Rd., Troy, Michigan 48083-2031 (US). **NORTON, Anthony J.**; c/o iLumisys, Inc., 1820 East Big Beaver Rd., Troy, Michigan 48083-2031 (US). **NICKOL, Brian M.**; c/o iLumisys, Inc., 1820 East Big Beaver Rd., Troy, Michigan 48082-2031 (US).

(74) Agents: **MUSTAFA, Nadine N.** et al.; Young Basile Hanlon & MacFarlane PC, 3001 West Big Beaver Rd., Suite 624, Troy, Michigan 48084-3107 (US).

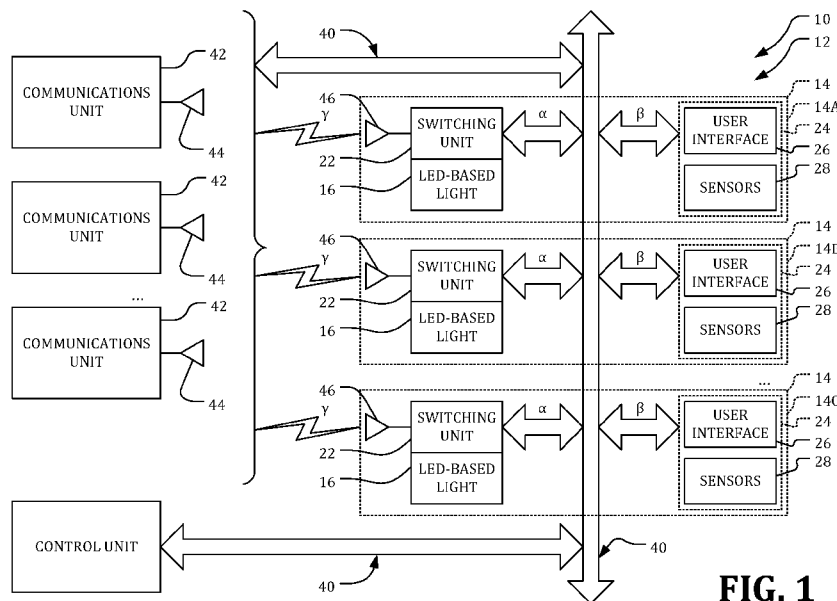
(81) Designated States (unless otherwise indicated, for every kind of national protection available): AE, AG, AL, AM, AO, AT, AU, AZ, BA, BB, BG, BH, BN, BR, BW, BY, BZ, CA, CH, CL, CN, CO, CR, CU, CZ, DE, DK, DM, DO, DZ, EC, EE, EG, ES, FI, GB, GD, GE, GH, GM, GT, HN, HR, HU, ID, IL, IN, IS, JP, KE, KG, KN, KP, KR, KZ, LA, LC, LK, LR, LS, LT, LU, LY, MA, MD, ME, MG, MK, MN, MW, MX, MY, MZ, NA, NG, NI, NO, NZ, OM, PA, PE, PG, PH, PL, PT, QA, RO, RS, RU, RW, SC, SD, SE, SG, SK, SL, SM, ST, SV, SY, TH, TJ, TM, TN, TR, TT, TZ, UA, UG, US, UZ, VC, VN, ZA, ZM, ZW.

(84) Designated States (unless otherwise indicated, for every kind of regional protection available): ARIPO (BW, GH, GM, KE, LR, LS, MW, MZ, NA, RW, SD, SL, SZ, TZ, UG, ZM, ZW), Eurasian (AM, AZ, BY, KG, KZ, RU, TJ, TM), European (AL, AT, BE, BG, CH, CY, CZ, DE, DK, EE, ES, FI, FR, GB, GR, HR, HU, IE, IS, IT, LT, LU, LV, MC, MK, MT, NL, NO, PL, PT, RO, RS, SE, SI, SK, SM, TR), OAPI (BF, BJ, CF, CG, CI, CM, GA, GN, GQ, GW, KM, ML, MR, NE, SN, TD, TG).

Published:

— with international search report (Art. 21(3))

(54) Title: SYSTEM AND METHOD FOR CONTROLLING OPERATION OF AN LED-BASED LIGHT



**FIG. 1**

(57) Abstract: In one aspect of an embodiment for controlling operation of a light source, a method of associating a light source with an area for which the light source is positioned to provide lighting comprises: identifying, based on a determined physical position of a light source, one of a plurality of areas as the area for which the light source is positioned to provide lighting; identifying at least one desired lighting condition for the identified area; and controlling, using a processor, operation of the light source based on the identified at least one desired lighting condition for the identified area.

WO 2014/011497 A1

## **SYSTEM AND METHOD FOR CONTROLLING OPERATION OF AN LED-BASED LIGHT**

### TECHNICAL FIELD

[0001] The embodiments disclosed herein relate in general to a light emitting diode (LED)-based light for replacing a conventional light in a standard light fixture, and in particular to a lighting control system for controlling the operation of an LED-based light.

### BACKGROUND

[0002] Fluorescent lights are widely used in a variety of locations, such as schools and office buildings. Although conventional fluorescent lights have certain advantages over, for example, incandescent lights, they also pose certain disadvantages including, inter alia, disposal problems due to the presence of toxic materials within the light.

[0003] LED-based lights designed as one-for-one replacements for fluorescent lights have appeared in recent years. LED-based lights can be used in a building with a control system capable of managing various aspects of the building, including its lighting conditions. A lighting control system can be designed to regulate the lighting conditions in a building through selective control of the operation of LED-based lights, in order to, for example, improve usability of the building or to optimize its energy use. Some of these lighting control systems can remotely regulate individual lighting conditions of multiple different areas within the building. Such individualized regulation requires some form of association between each LED-based light and the particular area in which the LED-based light is positioned to illuminate. Association can entail, for example, manually assigning an LED-based light positioned to illuminate a particular area with a logical address designated within the lighting control system to correspond to that area. Once associated, the lighting control system can correctly control operation of an LED-based light based upon the desired lighting conditions for its respective area.

### SUMMARY

[0004] Disclosed herein are embodiments of methods and systems for controlling operation of a light source. In one aspect, a method of associating a light source with an area for which the light source is positioned to provide lighting comprises: identifying, based on a determined physical position of a light source, one of a plurality of areas as the area for which the light source is positioned to provide lighting; identifying at least one desired lighting condition for the identified area; and controlling, using a processor, operation of the light source based on the identified at least one desired lighting condition for the identified area.

[0005] In another aspect, a lighting control system comprises: a light source positioned to provide lighting for an area; and a control unit configured to: identify, based on a determined physical position of the light source, one of a plurality of areas as the area for which the light source is positioned to provide lighting, identify at least one desired lighting condition for the identified area, and control operation of the light source based on the identified at least one desired lighting condition for the identified area.

[0006] In yet another aspect, a method of selecting a lighting condition for controlling operation of a light source comprises: storing, in memory, a plurality of position-dependent lighting conditions; and selecting, using a processor in communication with the memory, one of the position-dependent lighting conditions for controlling operation of the light source based on a determined physical position of the light source, such that the operation of the light source is controlled based on the selected position-dependent lighting condition.

[0007] These and other aspects will be described in additional detail below.

### BRIEF DESCRIPTION OF THE DRAWINGS

[0008] The various features, advantages and other uses of the present system and methods will become more apparent by referring to the following detailed description and drawings in which:

[0009] FIG. 1 is a system view of a lighting control system configured to control operation of an LED-based light;

[0010] FIG. 2 is a flow chart illustrating a process including operations for installing and associating the LED-based light of FIG. 1 within the lighting control system;

[0011] FIG. 3 is an exploded perspective view of an example of an LED-based light for use in the lighting control system of FIG. 1; and

[0012] FIG. 4 is an exploded perspective view of an alternative example of an LED-based light for use in the lighting control system of FIG. 1.

#### DETAILED DESCRIPTION

[0013] Manual association between an LED-based light and the particular area in which the LED-based light is positioned to illuminate can be time consuming and error-prone. Further, associations can be broken if a logically addressable LED-based light is moved and/or replaced during service, which can cause incorrect control over the operation of the LED-based light.

[0014] Disclosed herein are example configurations of a lighting control system for a building that can use information relating to the position of an LED-based light to associate the LED-based light with a particular area for purposes of regulating the lighting conditions for that area. Further disclosed herein are exemplary configurations of a control system that can reduce the amount of user input required to determine the information relating to the position of the LED-based light.

[0015] A building can include systems for managing various aspects of the building. These aspects can generally include the environmental conditions of the building, such as heating, ventilation and air conditioning (HVAC) conditions, security conditions and/or lighting conditions, for example. A “smart” building can include a control system, such as a building automation system, that can automatically manage the environmental conditions of the building in accordance with desired environmental conditions. Such buildings can include one or more areas located throughout the building, with each area lending itself to individualized regulation of one or more of its environmental conditions.

[0016] A representative building 10 including a building automation system implementing a lighting control system 12 for regulating the lighting conditions of multiple areas 14 throughout the building 10 is shown in FIG. 1. The terms “building” and “building automation system” are used herein to describe the lighting control system 12 with reference to a representative setting in which the lighting control system 12 can be implemented. However, the lighting control system 12 could be implemented in other settings, such as

outdoors, for example, or in other settings in which a number of different areas 14 lending themselves to individualized regulation with respect to their lighting conditions can be defined.

[0017] Regulation of the environmental conditions of the multiple areas 14 located throughout the building 10 can include a process of defining the areas 14 to be controlled. Each area 14, as it relates to individualized regulation of its environmental conditions, can correspond to some characteristic of the building 10 or its contents, or can correspond to some characteristic of the defined area 14. With respect to regulation of lighting conditions with the lighting control system 12, for example, the area 14 could be defined as an individual room or group of rooms located within the building 10. The area 14 could additionally or alternatively be defined in terms of its physical surroundings, such as an area adjacent to source of light extrinsic to the lighting control system 12, for instance a window supplying natural light. The area 14 could also be defined in relation to its particular functional considerations and/or constraints with respect to lighting conditions. For example, the area 14 could be defined above a workstation, or the area 14 could correspond to a particular type of room within the building 10, such as an office, a conference room, a hallway or a bathroom, for example. Similarly, the area 14 could be defined in relation to its particular requirements with respect to lighting conditions, which could involve requirements of performance lighting, efficient lighting, safety lighting, comfort lighting and/or alarm lighting, for example. As a non-limiting example, an area 14A could be an individual room located within the building 10, an area 14B could be located adjacent an east facing window receiving natural light and thereby requiring less artificial light from the lighting control system 12, and an area 14C could be located adjacent a desk or other workstation.

[0018] An area 14 could be one discrete individual location within the building 10, or could comprise some grouping of locations lending themselves to similar regulation of their environmental conditions. A building 10 could include a single area 14 or multiple areas 14, and each area 14 of a building 10 need not be defined according to an approach used to define another area 14 of the building 10. The building 10 can include more or less than the illustrated areas 14A, 14B and 14C, and the building 10 can include alternative and/or additional areas 14 depending upon which of a variety of environmental conditions is regulated. That is, with respect to regulation of environmental conditions other than lighting

conditions, areas 14 could be defined within the building 10 other than as the areas 14A, 14B and 14C described above, and alternative and/or additional areas 14 could be defined for purposes of individualized regulation of the various other environmental conditions.

[0019] A building automation system for the building 10 can implement the lighting control system 12 to individually regulate the lighting conditions for each of the areas 14 located throughout the building 10. The illustrated lighting control system 12 may include one or more LED-based lights 16 positioned to illuminate each of the areas. The lighting conditions for the area 14 in which an LED-based light 16 is positioned can be regulated through selective control of the operation the LED-based light 16. For ease of understanding, the lighting control system 12 is generally described below with reference to a single LED-based light 16 positioned to illuminate a singular area 14. However, it should be understood that the lighting control system 12 can include a plurality of areas 14A, 14B and 14C, each of which can include one or more respective LED-based lights 16 positioned to illuminate the areas 14A, 14B and 14C.

[0020] The lighting control system 12 includes one or more devices for controlling the operation of the LED-based light 16. In a basic lighting system, operation of an LED-based light 16 could be controlled by electrically connecting a device such as a light switch, dimmer or other similar operator actuated device between the LED-based light 16 and a power supply. These devices control operation of the LED-based light 16 by regulating a supply of AC or DC electrical power to the LED-based light 16. For example, a supply of electrical power to the LED-based light 16 can be selectively switched to control an on/off function of the LED-based light 16, and a supply of electrical power to the LED-based light 16 can be selectively modulated to control a dimming function of the LED-based light 16.

[0021] The illustrated implementation of the lighting control system 12 includes a control unit 20 configured to control the operation of the LED-based light 16 by selectively controlling a supply of electrical power to the LED-based light 16. The control unit 20 can be or include one or more controllers configured for controlling the operation of multiple LED-based lights 16 positioned in different areas 14 located throughout the building 10. A controller could be a programmable controller, such as a microcomputer including a random access memory (RAM), a read-only memory (ROM) and a central processing unit (CPU) in addition to various input and output connections. Generally, the control functions described

herein can be implemented by one or more software programs stored in internal or external memory and are performed by execution by the CPU. However, some or all of the functions could also be implemented by hardware components. Although the control unit 20 is shown and described as a single central controller for performing multiple functions related to multiple areas 14, the functions described herein could be implemented by separate controllers which collectively comprise the illustrated control unit 20.

[0022] The control unit 20 can be electrically connected between the LED-based light 16 and a power supply and configured to control operation of the LED-based light 16 by directly switching and/or modulating a supply of electrical power to LED-based light 16. Alternatively, the control unit 20 can be configured to control operation of the LED-based light 16 by indirectly controlling a supply of electrical power to the LED-based light 16, for example by communicating a control signal  $\alpha$  to a switching device. For example, as shown in FIG. 1, lighting control system 12 may include a switching unit 22 communicatively coupled to the control unit 20.

[0023] The switching unit 22 is electrically connected between the LED-based light 16 and a power supply and is configured to receive the control signal  $\alpha$  and, in response to the control signal  $\alpha$ , selectively regulate a supply of electrical power to the LED-based light 16. The switching unit 22 can control an on/off function of the LED-based light 16 by including a relay or other mechanical, electrical or electromechanical switch configured to selectively switch a supply of electrical power to the LED-based light 16. The switching unit 22 can alternatively or additionally be or include components configured to selectively modulate a supply of electrical power to the LED-based light 16 to control a dimming function of the LED-based light 16. The switching unit 22 can selectively regulate a supply of electrical power to the LED-based light 16 to control operation of the LED-based light 16 in a variety of other manners. For example, in addition to controlling on/off and dimming functions of the LED-based light 16, the switching unit 22 can also be configured to regulate a supply of electrical power to the LED-based light 16 to achieve continuous, intermittent or other non-continuous operation of the LED-based light 16. For example, the LED-based light 16 could be operated steadily, variably, or could be blinked, flashed or amplified according to some timed pattern by the switching unit 22, depending upon the desired lighting conditions for the area 14 in which the LED-based light 16 is positioned to illuminate.

[0024] Each area 14 located throughout the building 10 can lend itself to individualized regulation of its lighting conditions in accordance with respective desired lighting conditions. The lighting control system 12 includes the control unit 20 for controlling the lighting conditions of the area 14 through selective control of the operation of the LED-based light 16 positioned to illuminate the area 14. As described above, the control unit 20 controls the operation of the LED-based light 16 by communicating a control signal  $\alpha$  to the switching unit 22 configured to selectively regulate a supply of electrical power to the LED-based light 16. The control signal  $\alpha$  generally corresponds to the desired lighting conditions for the area 14 in which the LED-based light 16 is positioned to illuminate. The control signal  $\alpha$  can be representative of a setpoint illumination level for the area 14, or could be representative of some other particular requirement or characteristic with respect to the desired lighting conditions for the area 14 in which the LED-based light 16 is positioned to illuminate. For example, the control signal  $\alpha$  could be representative of a requirement for performance lighting, efficient lighting, safety lighting, comfort lighting and/or alarm lighting in the area 14.

[0025] The control unit 20 is configured to determine the desired lighting conditions for the area 14 in which the LED-based light 16 is positioned to illuminate, and to generate the control signal  $\alpha$  corresponding to the desired lighting conditions. The control unit 20 can generate the control signal  $\alpha$  with logic implementing various algorithmic or heuristics techniques. As non-limiting examples, the control unit 20 can include logic implementing timers, alarms, and/or rules relating to occupancy sensing, daylight harvesting or manual override control.

[0026] The lighting control system 12 can further include one or more input devices 24 corresponding to each of the areas 14. The input devices 24 are configured to relay information relating to the actual or desired lighting conditions and/or other environmental conditions of the area 14 to the control unit 20. The lighting control system 12 can utilize the information from an input device 24 for purposes of individualized regulation of the lighting conditions for its area 14. The input devices 24 are configured to generate one or more input signals  $\beta$ . The input devices 24 are communicatively coupled to the control unit 20, and the logic of the control unit 20 can be responsive to the input signals  $\beta$  to generate the control signal  $\alpha$  for communication to the switching unit 22.

[0027] The illustrated input devices 24 can include a user interface 26 and various sensors 28. The user interface 26 is configured to receive information from a user of the building 10 relating to requested lighting conditions for the area 14 to which the user interface 26 corresponds, and to generate corresponding input signals  $\beta$  for communication to the control unit 20. The user interface 26 can be or include a switch, dimmer or other user actuated device. The user interface 26 could also include a web-based or similar computer-based component for receiving information relating to requested lighting conditions for an area 14.

[0028] The lighting control system 12 can incorporate the input signals  $\beta$  communicated from the user interface 26 to varying degrees as compared to input signals  $\beta$  communicated from other input devices 24. For example, the lighting control system 12 could give priority to the user interface 26 by providing for manual override control of the operation of the LED-based light 16 on the basis of a user's actuation of the user interface 26. In this example, the control unit 20 could include logic for generating a control signal  $\alpha$  directing the switching unit 22 to regulate a supply of electrical power to the LED-based light 16 in direct accordance with an operator's requested lighting conditions. Alternatively, the lighting control system 12 could be arranged such that a supply of electrical power to LED-based light 16 is regulated directly by the user interface 26 in accordance with an operator's requested lighting conditions without regard to a control signal  $\alpha$  generated by the control unit 20.

[0029] The sensors 28 may be configured for measuring, monitoring and/or estimating various environmental conditions within a corresponding area 14 and for generating corresponding input signals  $\beta$  for communication to the control unit 20. Sensors 28 can include, for example, a sensor for measuring the actual lighting conditions of the area 14, or sensors 28 could include a sensor for monitoring or estimating occupancy of the area 14. The sensors 28 could include a motion sensor, a voice-activated sensor or a clock or calendar, for example. Similar to the input signals  $\beta$  from the user interface 26, the input signals  $\beta$  from the sensors 28 can be incorporated into the logic of the control unit 20 for generation of the control signal  $\alpha$ .

[0030] An exemplary communications link 40 is included in the lighting control system 12 for communicatively coupling the components of the lighting control system 12.

The communications link 40 may generally be configured to support digital and/or analog communication between the components included in the lighting control system 12. For example, the communications link 40 may be configured to communicatively couple the control unit 20, the switching unit 22 and the input devices 24. The communications link 40 can include wired and/or wireless communications channels using any industry standard or proprietary protocols. As a non-limiting example, a wired communications link 40 could be implemented with 0-10V signals, DALI or Ethernet. As a further non-limiting example, a wireless communications link 40 could be implemented, for example, with wireless DALI, IEEE 802.11, Wi-Fi, Bluetooth or RF channels, or through infrared, ultrasonic or modulated visible light, such as light emitted from the LED-based lights 16. Further, the communications link 40 could be implemented with multiple communications channels, each using differing protocols.

[0031] The illustrated lighting control system 12 can provide localized regulation of the lighting conditions for multiple different areas 14 with the control unit 20 by selectively controlling the operation of the respective LED-based lights 16 positioned to illuminate the respective areas 14. The control unit 20 can determine differing desired lighting conditions for each of the areas 14. For example, the desired lighting conditions for area 14A could necessitate that the LED-based light 16 positioned to illuminate area 14A be controlled to an on state, the desired lighting conditions for area 14B could necessitate that the LED-based light 16 positioned to illuminate area 14B be controlled to an off state, and the desired lighting conditions for area 14C could necessitate that the LED-based light 16 positioned to illuminate area 14C be controlled to a modulated state.

[0032] In order for the lighting control system 12 to efficiently regulate the lighting conditions in multiple areas 14, the lighting control system 12 may be configured to control the LED-based light 16 positioned to illuminate a particular area 14 without affecting the operation of LED-based lights 16 positioned to illuminate other areas 14. Proper functioning of the lighting control system 12 generally requires some association between each LED-based light 16 and the area 14 in which the LED-based light 16 is positioned to illuminate. Association can entail, for example, manually landing wires between terminals of the control unit 20 and switching units 22 and/or corresponding LED-based lights 16. Alternatively, association could entail manually assigning a switching unit 22 and/or corresponding LED-

based light 16 with a logical address designated within the lighting control system 12, for example within the logic of the control unit 20, to correspond to a particular area 14. Once associated, the lighting control system 12 can control operation of an LED-based light 16 to regulate the lighting conditions for its respective area 14 according to its desired lighting conditions.

[0033] The illustrated lighting control system 12 may include a plurality of communications units 42 configured to receive information relating to the position of an LED-based light 16 within the building 10. The lighting control system 12 is configured to use the information relating to the position of the LED-based light 16 within the building 10 to associate the LED-based light 16 with the area 14 in which the LED-based light 16 is positioned to illuminate. For example, the lighting control system 12 can be configured to compare the position of an LED-based light 16 with known or determined positions of the areas 14 located throughout the building 10. The lighting control system 12 can then correlate the position of the LED-based light 16 with a particular area 14 in which the LED-based light 16 is positioned to illuminate. Once a correlation is drawn between a particular LED-based light 16 and the area 14 in which the LED-based light 16 is positioned to illuminate, the lighting control system 12 can associate the LED-based light 16 to the area 14 for purposes of future regulation of the lighting conditions for that area 14.

[0034] The communications units 42 may be communicatively coupled to the lighting control system 12 through one or more communications channels that can be included in the communications link 40. As shown in FIG. 1, the communications units 42 may be communicatively coupled to the switching units 22. Each of the communications units 42 may include a communications device 44 configured to receive a location signal  $\gamma$  from a communications device 46 included in the switching units 22. The communications devices 44 and 46 can be configured for communication through a communications channel implemented to communicatively couple the communications units 42 and the switching units 22, and the communications channel need not be the same as used elsewhere in the communication link 40. For example, an existing building automation system for the building 10 may already include wired communications channels for communicatively coupling the control unit 20, the switching unit 22 and the input devices 24. The building automation system for the building 10 could be retrofitted to implement the lighting control

system 12 by including a wireless communications channel configured to communicatively couple the communications units 42 to the switching units 22. In this non-limiting example, the communications devices 44 and 46 can be the illustrated transceivers 44 and 46.

However, the communications devices 44 and 46 could be other devices known to those skilled in the art configured to send and/or receive the location signal  $\gamma$  over a chosen communications channel included in the communications link 40.

[0035] As shown in FIG. 1, the communications units 42 may be communicatively coupled to switching units 22 to receive the location signal  $\gamma$  from the communications devices 46. The switching units 22 including the communications devices 46 can be located adjacent to or included in corresponding LED-based lights 16, such that the location signal  $\gamma$  conveys information generally relating to the position of the LED-based light 16. Although the communications devices 46 are described with reference to the switching units 22, the communications devices 46 could alternatively be included in the LED-based lights 16, or could be otherwise included in the lighting control system 12 according to some known or determinable spatial relationship with the LED-based light 16.

[0036] The lighting control system 12 is configured to determine, or estimate, the physical position of each of the LED-based lights 16 based at least partially upon the location signal  $\gamma$ . The position of an LED-based light 16 could be determined absolutely, for example, or could be determined relative to some aspect relating to the building 10 or lighting control system 12. In the exemplary implementation of the lighting control system 12, multiple communications units 42 form a spatially distributed network of communications units 42. The communications units 42 can be distributed within and/or without the building 10 to form the spatially distributed network of communications units 42. The location signal  $\gamma$  can be received by one or more of the communications units 42, which can be configured to determine the position of the LED-based lights 16, either individually, in some combination with each other, and/or in combination with the control unit 20 or other components of the lighting control system 12.

[0037] The lighting control system 12 can be configured to determine the position of the LED-based light 16 using various techniques, either individually or in some combination. As non-limiting examples, the position of an LED-based light 16 can be determined based upon time of arrival (TOA) of RF, infrared or ultrasonic signals, or based upon TOA of light

signals, such as visible light signals emitted from the LED-based lights 16; the position of an LED-based light 16 can be determined based upon direction finding (DF) of RF, infrared or ultrasonic signals, or based upon DF of light signals, such as visible light signals emitted from the LED-based lights 16; the position of an LED-based light 16 could be determined by superimposing currents on power lines forming a power grid, or through other branch circuit monitoring methods; or the position of an LED-based light 16 could be determined by monitoring the strength of the location signal  $\gamma$  throughout the spatially distributed network of communications units 42. The position of an LED-based light 16 could also be determined through communication with components external from the lighting control system 12, for example by using 3g or 4g signals to communicate with global positioning systems (GPSs) or other external location systems. The position of the LED-based light 16 could also be determined more accurately through some combination of the above techniques.

[0038] A process of installing an LED-based light 16 into the lighting control system 12 of a building 10 is illustrated in FIG. 2. In step S10, information relating to the positions of each of the areas 14 located throughout the building 10 is stored in the lighting control system 12. The lighting control system 12 can be configured to know or determine the positions of each of the areas 14. Similar to the positions of the LED-based lights 16, the positions of the areas 14 could be known or determined absolutely, for example, or relative to some aspect relating to the building 10 or the lighting control system 12. For example, the physical aspects of the building 10, such as floor plans or power supply structures, could be stored in memory on the control unit 20, along with information relating to the relative positions of the areas 14 within the building 10.

[0039] In step S12, an LED-based light 16 is installed into the lighting control system 12. In step S14, the LED-based light 16 joins the lighting control system 12 by communicating with the control unit 20 through the communications link 40, and in step S16, the control unit 20 recognizes the LED-based light 16 as newly installed into (or newly positioned within) the lighting control system 12. The LED-based light 16 can have a logical address readable by the control unit 20, for example, or can be otherwise recognizable by the control unit 20 as a distinct lighting element.

[0040] In step S18, the location signal  $\gamma$  is communicated to the spatially distributed network of communications units 42. The location signal  $\gamma$  can be communicated

autonomously, for example, or at the direction of the installer or at the direction of the lighting control system 12 or control unit 20. In step S20, the position of the LED-based light 16 is determined using one or more of the above described location techniques, as well as others. The logic for determining the position of the LED-based light 16 can be implemented by one or more of the communications units 42, or can be distributed between one or more of the communications units 42 and the other components of the lighting control system 12. The position of an LED-based light 16 could also be determined physically externally from the lighting control system 12, for example through communication with a GPS or other location system. The position of the newly installed LED-based 16 could also be determined and/or verified with reference to one or more LED-based lights 16 whose positions are manually determined.

[0041] In step S22, the lighting control system 12 can use the determined position of the LED-based light 16 to associate the LED-based light 16 with the area 14 in which the LED-based light 16 is positioned to illuminate. For example, the lighting control system 12 can implement logic using the control unit 20 to compare the determined position of the LED-based light 16 with the known or determined positions of the areas 14 located throughout the building 10. By correlating the determined position of the LED-based light 16 with a position of a particular area 14, the control unit 20 can determine that the LED-based light 16 is positioned to illuminate that particular area 14. Finally, in step S24, the lighting control system 12 can associate the LED-based light 16 to the area 14 within the control unit 20 for purposes of future regulation of the lighting conditions for that area 14.

[0042] FIG. 3 illustrates an example of an LED-based light 116 for use in the lighting control system 12. The LED-based light 116 is configured to replace a conventional light in a standard light fixture 110. The light fixture 110 can be designed to accept conventional fluorescent lights, such as T5, T8 or T12 fluorescent tube lights, or can be designed to accept other standard lights, such as incandescent bulbs. The light fixture 110 could alternatively be designed to accept non-standard lights, such as lights installed by an electrician. The light fixture 110 can connect to a power supply, and can optionally include a ballast connected between the power supply and the LED-based light 116. The switching unit 22 could be compatible with the fixture 110 to electrically connect between the power supply and the LED-based light 116, or the switching unit 22 could be included in the fixture 110, for

example.

[0043] In some implementations, the LED-based light 116 includes a housing 112 at least partially defined by a high dielectric light transmitting lens 114. The lens 114 can be made from polycarbonate, acrylic, glass or other light transmitting material (*i.e.*, the lens 114 can be transparent or translucent). The term “lens” as used herein means a light transmitting structure, and not necessarily a structure for concentrating or diverging light. The LED-based light 116 can include features for uniformly distributing light to an environment to be illuminated in order to replicate the uniform light distribution of a conventional fluorescent light. For example, the lens 114 can be manufactured to include light diffracting structures, such as ridges, dots, bumps, dimples or other uneven surfaces formed on an interior or exterior of the lens 114. The light diffracting structures can be formed integrally with the lens 114, for example, by molding or extruding, or the structures can be formed in a separate manufacturing step such as surface roughening. In addition to or as an alternative to light diffracting structures, a light diffracting film can be applied to the exterior of the lens 114 or placed in the housing 112, or, the material from which the lens 114 is formed can include light refracting particles. For example, the lens 114 can be made from a composite, such as polycarbonate, with particles of a light refracting material interspersed in the polycarbonate. In other embodiments, the LED-based light 116 may not include any light diffracting structures or film.

[0044] The housing 112 can include a light transmitting tube at least partially defined by the lens 114. Alternatively, the housing 112 can be formed by attaching multiple individual parts, not all of which need be light transmitting. For example, the housing 112 can be formed in part by attaching the lens 114 to an opaque lower portion. The housing 112 can additionally include other components, such as one or more highly thermally conductive structures for enhancing heat dissipation. While the illustrated housing 112 is cylindrical, a housing having a square, triangular, polygonal, or other cross sectional shape can alternatively be used. Similarly, while the illustrated housing 112 is linear, housings having an alternative shape, *e.g.*, a U-shape or a circular shape can alternatively be used. The LED-based light 116 can have any suitable length. For example, the LED-based light 116 may be approximately 48” long, and the housing 112 can have a 0.625”, 1.0” or 1.5” diameter for engagement with a common standard fluorescent light fixture.

[0045] The LED-based light 116 can include an electrical connector 118 positioned at each end of the housing 112. In the illustrated example, the electrical connector 118 is a bi-pin connector carried by an end cap 120. A pair of end caps 120 can be attached at opposing longitudinal ends of the housing 112 for physically connecting the LED-based light 116 to a standard fluorescent light fixture 110. The end caps 120 can be the sole physical connection between the LED-based light 116 and the fixture 110. At least one of the end caps 120 can additionally electrically connect the LED-based light 116 to the fixture 110 to provide power to the LED-based light 116. Each end cap 120 can include two pins 122, although two of the total four pins can be “dummy pins” that provide physical but not electrical connection to the fixture 110. Bi-pin electrical connector 118 is compatible with many standard fluorescent fixtures, although other types of electrical connectors can be used, such as single pin connector or screw type connector.

[0046] The LED-based light 116 can include a circuit board 124 supported within the housing 112. The circuit board 124 can include at least one LED 126, a plurality of series-connected or parallel-connected LEDs 126, an array of LEDs 126 or any other arrangement of LEDs 126. Each of the illustrated LEDs 126 can include a single diode or multiple diodes, such as a package of diodes producing light that appears to an ordinary observer as coming from a single source. The LEDs 126 can be surface-mount devices of a type available from Nichia, although other types of LEDs can alternatively be used. For example, the LED-based light 116 can include high-brightness semiconductor LEDs, organic light emitting diodes (OLEDs), semiconductor dies that produce light in response to current, light emitting polymers, electro-luminescent strips (EL) or the like.

[0047] The circuit board 124 can include power supply circuitry configured to condition an input power received from, for example, the fixture 110 through the electrical connector 118 to a power usable by and suitable for the LEDs 126. In some implementations, the power supply circuitry can include one or more of an inrush protection circuit, a surge suppressor circuit, a noise filter circuit, a rectifier circuit, a main filter circuit, a current regulator circuit and a shunt voltage regulator circuit. The power supply circuitry can be suitably designed to receive a wide range of currents and/or voltages from a power source and convert them to a power usable by the LEDs 126.

[0048] The circuit board 124 is illustrated as an elongate printed circuit board. The

circuit board 124 can extend a length or a partial length of the housing 112. Multiple circuit board sections can be joined by bridge connectors to create the circuit board 124. The circuit board 124 can be supported within the housing 112 through slidable engagement with a part of the housing 112, though the circuit board 124 can alternatively be clipped, adhered, snap- or friction-fit, screwed or otherwise connected to the housing 112. Also, other types of circuit boards may be used, such as a metal core circuit board. Or, instead of the circuit board 124, other types of electrical connections (*e.g.*, wires) can be used to electrically connect the LEDs 126 to a power source.

[0049] The LEDs 126 can emit white light or light within a range of wavelengths. However, LEDs that emit blue light, ultra-violet light or other wavelengths of light can be used in place of or in combination with white light emitting LEDs 126. The number, spacing and orientation of the LEDs 126 can be a function of a length of the LED-based light 116, a desired lumen output of the LED-based light 116, the wattage of the LEDs 126 and/or the viewing angle of the LEDs 126. For a 48" LED-based light 116, the number of LEDs 126 may vary from about thirty to sixty such that the LED-based light 116 outputs approximately 3,000 lumens. However, a different number of LEDs 126 can alternatively be used, and the LED-based light 116 can output any other amount of lumens. The LEDs 126 can be evenly spaced along the circuit board 124 and arranged on the circuit board 124 to substantially fill a space along a length of the lens 114 between end caps 120 positioned at opposing longitudinal ends of the housing 112. Alternatively, single or multiple LEDs 126 can be located at one or both ends of the LED-based light 116. The LEDs 126 can be arranged in a single longitudinally extending row along a central portion of the LED circuit board 124, as shown, or can be arranged in a plurality of rows or arranged in groups. The spacing of the LEDs 126 can be determined based on, for example, the light distribution of each LED 126 and the number of LEDs 126.

[0050] An alternative example of an LED-based light 216 is shown in FIG. 4. The construction of the LED-based light 216 can be similar to the construction of the LED-based light 116 of FIG. 3, and the LED-based light 216 can include the housing 112, the lens 114, the bi-pin 122 electrical connectors 118 carried by a pair of end caps 120, the circuit board 124 and the LEDs 126.

[0051] In addition, the LED-based light 216 can incorporate one or more of the above

described components of the lighting control system 12. For example, the switching unit 22 can be included in the LED-based light 216. The switching unit 22 can be included in the circuit board 124 and can be electrically connected between the fixture 110 conveying electrical power from a power supply and the LEDs 126 of the LED-based light 216. The switching unit 22 of the LED-based light 216 can be configured to receive the control signal  $\alpha$  and, in response to the control signal  $\alpha$ , selectively regulate a supply of electrical power to the LEDs 126 to control operation of the LED-based light 216.

[0052] The LED-based light 216 can also incorporate one or more of the sensors 28, for example, and can incorporate a communications unit 42 for determining the location of other LED-based lights 216. For example, multiple LED-based lights 216 including a communications unit 42 can together form the spatially distributed network of communications units 42. The positions of one or more LED-based lights 216 including a communications unit 42 can be determined manually, with the positions of the remainder of the LED-based lights 16, 116 or 216 installed into the lighting control system 12 being determined according to the process and techniques described above. In this example, the LED-based light 216 also includes communications devices 44 and/or 46 for sending and receiving location signals  $\gamma$ , although the LED-based light 216 could also communicate with the lighting control system 12 through the communications channels of the communications link 40.

[0053] The LED-based lights described herein are presented as examples and are not meant to be limiting. The embodiments can be used with any lighting components known to those skilled in the art and compatible with the scope of the disclosure. In addition, the disclosed processes and techniques can be applied in a variety of building automation system implemented control systems to regulate environmental conditions other than lighting conditions. For example, the disclosed processes and techniques can be applied to determine the position of printers, alarm system components and/or HVAC components, and various controllers can be control operation of these components for purpose of regulating related environmental conditions of the building 10.

[0054] The following are examples of embodiments disclosed herein. In one embodiment, a method of associating a light source with an area for which the light source is positioned to provide lighting, comprises: identifying, based on a determined physical

position of a light source, one of a plurality of areas as the area for which the light source is positioned to provide lighting; identifying at least one desired lighting condition for the identified area; and controlling, using a processor, operation of the light source based on the identified at least one desired lighting condition for the identified area.

[0055] In one aspect of this embodiment, the method further comprises: comparing the determined physical position of the light source against known physical positions of the plurality of areas to identify the area for which the light source is positioned to provide lighting.

[0056] In another aspect of this embodiment, the method further comprises: receiving information indicative of the physical position of the light source; and determining the physical position of the light source based on the information.

[0057] In another aspect of this embodiment, the method further comprises: receiving the determined physical position of the light source.

[0058] In another aspect of this embodiment, the light source is an LED-based replacement for a fluorescent light.

[0059] In another embodiment, a lighting control system, comprises: a light source positioned to provide lighting for an area; and a control unit configured to: identify, based on a determined physical position of the light source, one of a plurality of areas as the area for which the light source is positioned to provide lighting, identify at least one desired lighting condition for the identified area, and control operation of the light source based on the identified at least one desired lighting condition for the identified area.

[0060] In one aspect of this embodiment, the control unit is further configured to: compare the determined physical position of the light source against known physical positions of the plurality of areas to identify the area for which the light source is positioned to provide lighting.

[0061] In one aspect of this embodiment, the control unit is further configured to: receive information indicative of the physical position of the light source, and determine the physical position of the light source based on the information.

[0062] In another aspect of this embodiment, the control unit is further configured to: receive the determined physical position of the light source.

[0063] In another aspect of this embodiment, the lighting control system further

comprises: a plurality of spatially distributed communications units, the communications units configured to receive one or more location signals from the area, determine the physical position of the light source based on the location signals, and transmit the determined physical position of the light source to the control unit.

[0064] In another aspect of this embodiment, the lighting control system further comprises: a transmitter, the transmitter located in the area proximate to the light source and configured to transmit the location signals from the area to the communications units.

[0065] In another aspect of this embodiment, the transmitter is included in the light source.

[0066] In another aspect of this embodiment, the lighting control system further comprises: a switching unit responsive to the control unit to regulate a supply of power to the light source, the switching unit located in the area proximate to the light source and including a transmitter configured to transmit the location signals from the area to the communications units.

[0067] In another aspect of this embodiment, the switching unit is included in the light source.

[0068] In another aspect of this embodiment, the plurality of communications units are included in respective spatially distributed light sources different from the light source positioned to provide lighting for the area.

[0069] In another aspect of this embodiment, the light source is an LED-based replacement for a fluorescent light.

[0070] In another embodiment, a method of selecting a lighting condition for controlling operation of a light source, comprises: storing, in memory, a plurality of position-dependent lighting conditions; and selecting, using a processor in communication with the memory, one of the position-dependent lighting conditions for controlling operation of the light source based on a determined physical position of the light source, such that the operation of the light source is controlled based on the selected position-dependent lighting condition.

[0071] In one aspect of this embodiment, the plurality of position-dependent lighting conditions correspond to desired lighting conditions for a respective plurality of areas, and wherein selecting the position-dependent lighting condition for controlling operation of the

light source is based on a comparison of the determined physical position of the light source against known physical positions of the plurality of areas.

[0072] In another aspect of this embodiment, the light source is an LED-based replacement for a fluorescent light.

[0073] While the invention has been described in connection with what is presently considered to be the most practical and preferred embodiment, it is to be understood that the invention is not to be limited to the disclosed embodiments but, on the contrary, is intended to cover various modifications and equivalent arrangements included within the spirit and scope of the appended claims, which scope is to be accorded the broadest interpretation so as to encompass all such modifications and equivalent structures as is permitted under the law.

What is claimed is:

1. A method of associating a light source with an area for which the light source is positioned to provide lighting, comprising:

identifying, based on a determined physical position of a light source, one of a plurality of areas as the area for which the light source is positioned to provide lighting;

identifying at least one desired lighting condition for the identified area; and

controlling, using a processor, operation of the light source based on the identified at least one desired lighting condition for the identified area.

2. The method of claim 1, further comprising:

comparing the determined physical position of the light source against known physical positions of the plurality of areas to identify the area for which the light source is positioned to provide lighting.

3. The method of claim 1, further comprising:

receiving information indicative of the physical position of the light source;

and

determining the physical position of the light source based on the information.

4. The method of claim 1, further comprising:

receiving the determined physical position of the light source.

5. The method of claim 1, wherein the light source is an LED-based replacement for a fluorescent light.

6. A lighting control system, comprising:

a light source positioned to provide lighting for an area; and

a control unit configured to:

identify, based on a determined physical position of the light source, one of a plurality of areas as the area for which the light source is positioned to provide lighting,

identify at least one desired lighting condition for the identified area,

and

control operation of the light source based on the identified at least one desired lighting condition for the identified area.

7. The lighting control system of claim 6, wherein the control unit is further configured to:

compare the determined physical position of the light source against known physical positions of the plurality of areas to identify the area for which the light source is positioned to provide lighting.

8. The lighting control system of claim 6, wherein the control unit is further configured to:

receive information indicative of the physical position of the light source, and determine the physical position of the light source based on the information.

9. The lighting control system of claim 6, wherein the control unit is further configured to:

receive the determined physical position of the light source.

10. The lighting control system of claim 6, further comprising:  
a plurality of spatially distributed communications units, the communications units configured to receive one or more location signals from the area, determine the physical position of the light source based on the location signals, and transmit the determined physical position of the light source to the control unit.

11. The lighting control system of claim 10, further comprising:  
a transmitter, the transmitter located in the area proximate to the light source and configured to transmit the location signals from the area to the communications units.

12. The lighting control system of claim 11, wherein the transmitter is included in the light source.

13. The lighting control system of claim 10, further comprising:  
a switching unit responsive to the control unit to regulate a supply of power to the light source, the switching unit located in the area proximate to the light source and including a transmitter configured to transmit the location signals from the area to the communications units.

14. The lighting control system of claim 13, wherein the switching unit is included in the light source.

15. The lighting control system of claim 10, wherein the plurality of communications units are included in respective spatially distributed light sources different

from the light source positioned to provide lighting for the area.

16. The lighting control system of claim 6, wherein the light source is an LED-based replacement for a fluorescent light.

17. A method of selecting a lighting condition for controlling operation of a light source, comprising:

storing, in memory, a plurality of position-dependent lighting conditions; and selecting, using a processor in communication with the memory, one of the position-dependent lighting conditions for controlling operation of the light source based on a determined physical position of the light source, such that the operation of the light source is controlled based on the selected position-dependent lighting condition.

18. The method of claim 17, wherein the plurality of position-dependent lighting conditions correspond to desired lighting conditions for a respective plurality of areas, and wherein selecting the position-dependent lighting condition for controlling operation of the light source is based on a comparison of the determined physical position of the light source against known physical positions of the plurality of areas.

19. The method of claim 17, wherein the light source is an LED-based replacement for a fluorescent light.

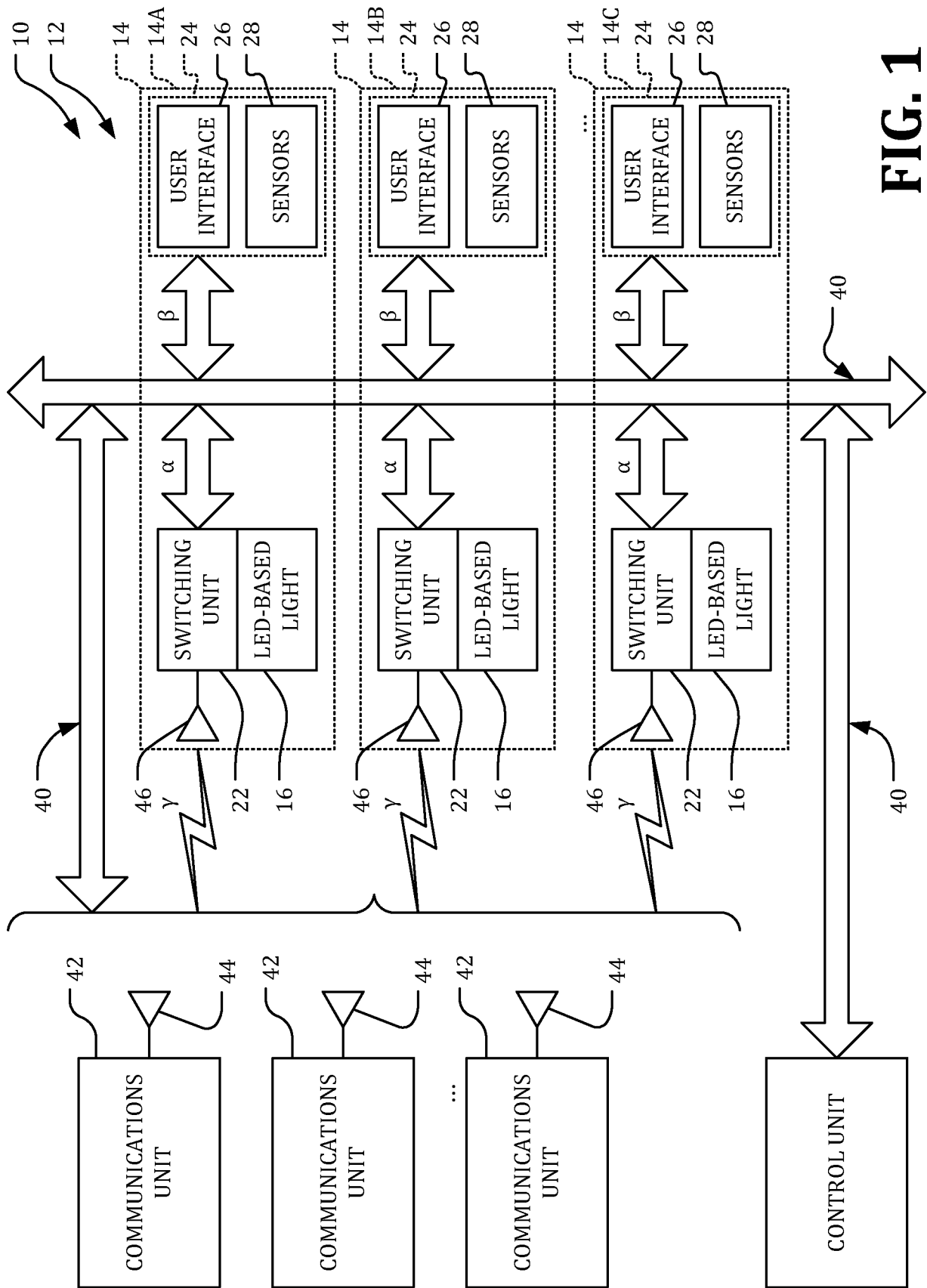
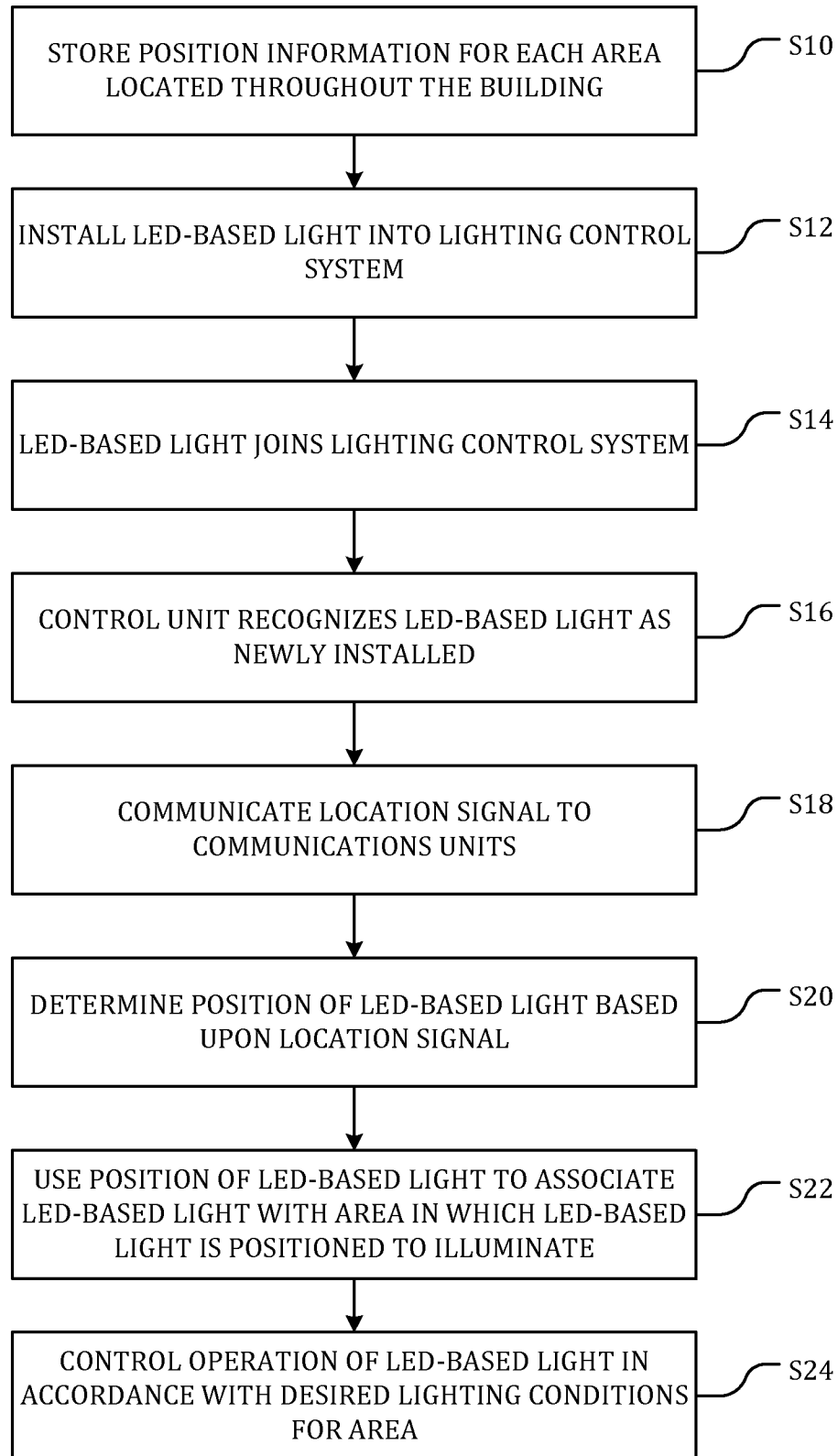


FIG. 1

**FIG. 2**

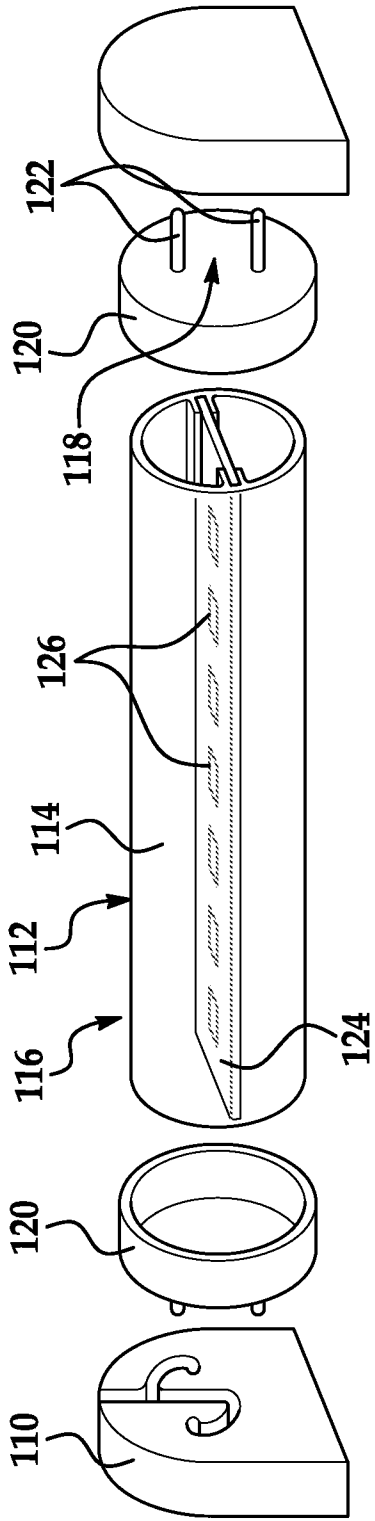


FIG. 3

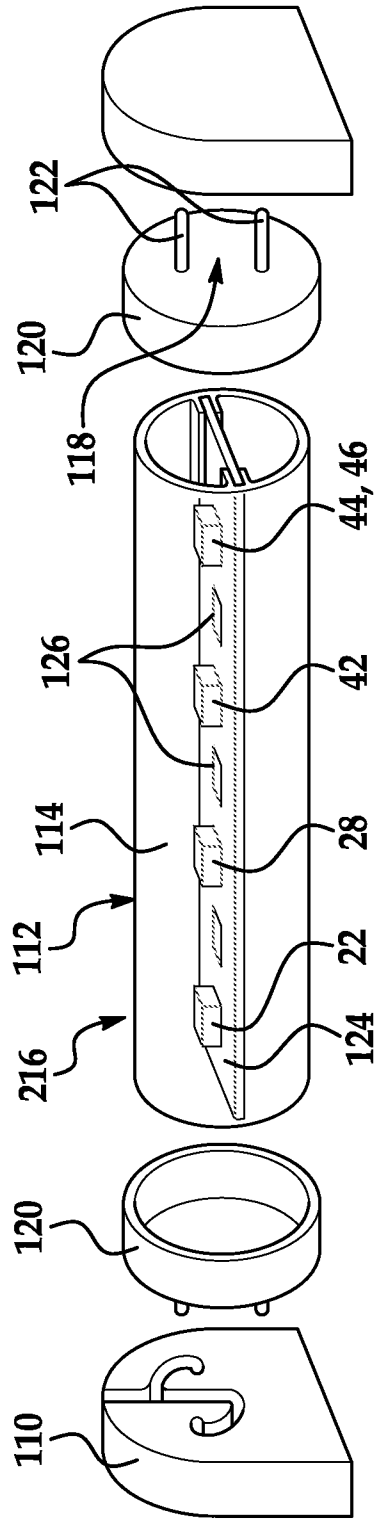


FIG. 4

INTERNATIONAL SEARCH REPORT

International application No  
PCT/US2013/049427

A. CLASSIFICATION OF SUBJECT MATTER  
INV. H05B37/02 H05B33/08  
ADD.  
According to International Patent Classification (IPC) or to both national classification and IPC

B. FIELDS SEARCHED  
Minimum documentation searched (classification system followed by classification symbols)  
H05B  
Documentation searched other than minimum documentation to the extent that such documents are included in the fields searched

Electronic data base consulted during the international search (name of data base and, where practicable, search terms used)  
EPO-Internal, WPI Data

C. DOCUMENTS CONSIDERED TO BE RELEVANT

Category*	Citation of document, with indication, where appropriate, of the relevant passages	Relevant to claim No.
X	WO 2006/095316 A1 (KONINKL PHILIPS ELECTRONICS NV [NL]; PITCHERS STEPHEN M [GB]; SIMONS P) 14 September 2006 (2006-09-14) abstract page 2, line 10 - page 3, line 11 page 3, line 12 - line 28 page 4, line 10 - page 9, line 10 page 9, line 11 - page 10, line 26 figures 1-3 ----- -/--	1-19

Further documents are listed in the continuation of Box C.

See patent family annex.

\* Special categories of cited documents :

- "A" document defining the general state of the art which is not considered to be of particular relevance
- "E" earlier application or patent but published on or after the international filing date
- "L" document which may throw doubts on priority claim(s) or which is cited to establish the publication date of another citation or other special reason (as specified)
- "O" document referring to an oral disclosure, use, exhibition or other means
- "P" document published prior to the international filing date but later than the priority date claimed

- "T" later document published after the international filing date or priority date and not in conflict with the application but cited to understand the principle or theory underlying the invention
- "X" document of particular relevance; the claimed invention cannot be considered novel or cannot be considered to involve an inventive step when the document is taken alone
- "Y" document of particular relevance; the claimed invention cannot be considered to involve an inventive step when the document is combined with one or more other such documents, such combination being obvious to a person skilled in the art
- "&" document member of the same patent family

Date of the actual completion of the international search  4 October 2013	Date of mailing of the international search report  10/10/2013
Name and mailing address of the ISA/ European Patent Office, P.B. 5818 Patentlaan 2 NL - 2280 HV Rijswijk Tel. (+31-70) 340-2040, Fax: (+31-70) 340-3016	Authorized officer  João Carlos Silva

## INTERNATIONAL SEARCH REPORT

International application No  
PCT/US2013/049427

C(Continuation). DOCUMENTS CONSIDERED TO BE RELEVANT		
Category*	Citation of document, with indication, where appropriate, of the relevant passages	Relevant to claim No.
X	WO 2006/095315 A1 (KONINKL PHILIPS ELECTRONICS NV [NL]; PITCHERS STEPHEN M [GB]; SIMONS P) 14 September 2006 (2006-09-14) abstract page 1, line 10 - page 3, line 19 page 4, line 7 - page 9, line 20 page 9, line 21 - page 10, line 20 figures 1-6 -----	1-19
X	US 2011/112661 A1 (JUNG JIN SUN [KR] ET AL) 12 May 2011 (2011-05-12) abstract figures 1-3 paragraphs [0005] - [0018] paragraphs [0029] - [0047] -----	1-19
A	WO 2008/129488 A2 (KONINKL PHILIPS ELECTRONICS NV [NL]; SIMONS PAUL R [GB]; PITCHERS STEP) 30 October 2008 (2008-10-30) the whole document -----	1-19
A	US 7 889 051 B1 (BILLIG RICHARD R [US] ET AL) 15 February 2011 (2011-02-15) the whole document -----	1-19
A	WO 2010/097737 A1 (KONINKL PHILIPS ELECTRONICS NV [NL]; VAN DER STOK PETRUS D V [NL]; FER) 2 September 2010 (2010-09-02) the whole document -----	1-19

# INTERNATIONAL SEARCH REPORT

Information on patent family members

International application No PCT/US2013/049427
---

Patent document cited in search report	Publication date	Patent family member(s)	Publication date
WO 2006095316	A1	14-09-2006	AT 419731 T 15-01-2009
			CN 101138279 A 05-03-2008
			EP 1862036 A1 05-12-2007
			ES 2319460 T3 07-05-2009
			JP 4981784 B2 25-07-2012
			JP 2008537855 A 25-09-2008
			US 2008218334 A1 11-09-2008
			WO 2006095316 A1 14-09-2006
			-----
WO 2006095315	A1	14-09-2006	CN 101138281 A 05-03-2008
			EP 1878320 A1 16-01-2008
			JP 2008533660 A 21-08-2008
			KR 20070121730 A 27-12-2007
			US 2008157957 A1 03-07-2008
			WO 2006095315 A1 14-09-2006
			-----
US 2011112661	A1	12-05-2011	KR 20110050934 A 17-05-2011
			US 2011112661 A1 12-05-2011
-----			
WO 2008129488	A2	30-10-2008	TW 200850056 A 16-12-2008
			WO 2008129488 A2 30-10-2008
-----			
US 7889051	B1	15-02-2011	US 7889051 B1 15-02-2011
			US 2011068900 A1 24-03-2011
-----			
WO 2010097737	A1	02-09-2010	CA 2753568 A1 02-09-2010
			CN 102334386 A 25-01-2012
			EP 2401893 A1 04-01-2012
			JP 2012518888 A 16-08-2012
			KR 20110132398 A 07-12-2011
			RU 2011139126 A 10-04-2013
			TW 201129252 A 16-08-2011
			US 2011310621 A1 22-12-2011
			WO 2010097737 A1 02-09-2010
			-----