



US00D781104S

(12) **United States Design Patent**
Cerasani

(10) **Patent No.:** **US D781,104 S**

(45) **Date of Patent:** **** Mar. 14, 2017**

- (54) **SHAKER CUP**
- (71) Applicant: **Platinum Products, LLC**, Missoula, MT (US)
- (72) Inventor: **Anthony Cerasani**, Missoula, MT (US)
- (73) Assignee: **Platinum Products, LLC**, Missoula, MT (US)
- (**) Term: **15 Years**
- (21) Appl. No.: **29/544,012**

- 4,938,375 A 7/1990 Fantacone
- 5,542,922 A 8/1996 Petterson et al.
- 5,547,275 A 8/1996 Lillelund et al.
- D374,150 S 10/1996 Lillelund et al.
- 5,720,552 A 2/1998 Schindlegger
- D391,802 S 3/1998 Wong
- 5,788,369 A 8/1998 Tseng

(Continued)

FOREIGN PATENT DOCUMENTS

- CA 2 742 236 A1 5/2010
- KR 20-0432667 Y1 12/2006
- KR 10-0840962 B1 6/2008

OTHER PUBLICATIONS

Cerasani, "Shaker Cup," U.S. Appl. No. 29/549,684, filed Dec. 28, 2015, 7 pages.

Primary Examiner — Marianne Pandozzi
Assistant Examiner — Jae Liang
 (74) *Attorney, Agent, or Firm* — Speed IP Law Group LLP

(57) **CLAIM**

The ornamental design for a shaker cup, as shown and described.

DESCRIPTION

FIG. 1 is an isometric view of a shaker cup showing my new design;
 FIG. 2 is a front elevational view thereof;
 FIG. 3 is a rear elevational view thereof;
 FIG. 4 is a right side elevational view thereof;
 FIG. 5 is a left side elevational view thereof;
 FIG. 6 is a top plan view thereof; and,
 FIG. 7 is a bottom view thereof.
 The broken lines in the drawing depict portions of the shaker cup that form no part of the claimed design.

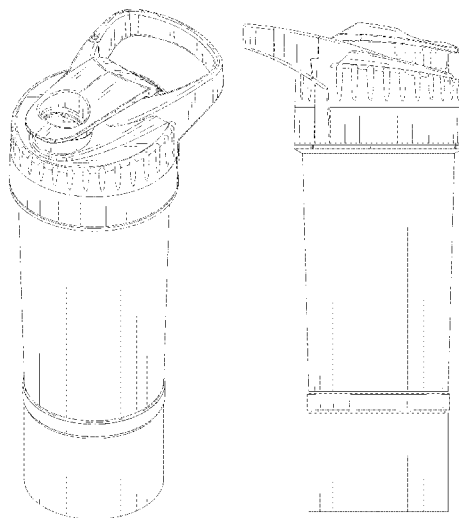
1 Claim, 6 Drawing Sheets

- (22) Filed: **Oct. 29, 2015**
 - (51) **LOC (10) Cl.** **07-01**
 - (52) **U.S. Cl.**
USPC **D7/510; D7/511; D7/536; D7/300.1**
 - (58) **Field of Classification Search**
USPC D7/509, 510, 511, 523, 529, 532, 533, D7/535, 536, 300, 300.1, 608, 629, 387, D7/304-315, 534, 396.1, 524, 537, 572, D7/392.1, 391; D9/503, 504, 531, 530, D9/566, 544, 549, 550, 553, 554, 516, D9/537, 454, 434, 560; 215/228, 229; 220/592.2, 592.16, 592.17; D23/202, D23/207; 99/281, 305, 307; 222/146.6; 141/247; D24/122; D3/202
CPC A47G 19/22; A47G 19/2227; A47G 19/02; A47G 19/025; A47G 19/2288; Y10S 220/903
- See application file for complete search history.

(56) **References Cited**

U.S. PATENT DOCUMENTS

- 58,882 A 10/1866 Pinder
- 1,201,284 A 10/1916 Gilchrist
- 1,661,336 A 3/1928 Katz
- 2,922,628 A 1/1960 Koe
- 4,003,555 A 1/1977 Swartz
- 4,818,114 A 4/1989 Ghavi



(56)

References Cited

U.S. PATENT DOCUMENTS

D426,742 S	6/2000	Gartz et al.	1,075,119 A1	10/2013	Reichner	
D432,865 S	10/2000	Cohen	D719,780 S *	12/2014	Sullivan	D7/392.1
6,202,542 B1	3/2001	Melton	D730,694 S *	6/2015	Elsaden	D7/511
D449,762 S	10/2001	Jacober et al.	D739,174 S *	9/2015	Elsaden	D7/392.1
6,913,165 B2	7/2005	Linz et al.	D739,674 S *	9/2015	Bergstrom	D7/300.1
D510,235 S	10/2005	Sorensen	D746,634 S *	1/2016	Lapsker	D7/510
D510,678 S	10/2005	Krasne et al.	D746,635 S *	1/2016	Lapsker	D7/510
D559,034 S	1/2008	Bodum	D756,702 S *	5/2016	Joseph	D7/392.1
D570,648 S	6/2008	Bodum	D763,688 S *	8/2016	Breit	D9/443
D571,610 S	6/2008	Bodum	D766,029 S *	9/2016	Lin	D7/300.1
D572,975 S	7/2008	Germany	9,492,024 B2 *	11/2016	Sorensen	A47G 19/2205
D586,184 S *	2/2009	Miller	2003/0029827 A1	2/2003	Renz	
D592,913 S *	5/2009	Pinelli	2004/0047231 A1	3/2004	Coll	
D623,473 S	9/2010	Chen	2005/0174882 A1	8/2005	Krasne et al.	
D634,161 S	3/2011	Roth et al.	2008/0156763 A1	7/2008	Murphy	
D646,919 S *	10/2011	Nilsson	2009/0178940 A1	7/2009	Said	
			2011/0253733 A1 *	10/2011	Meyers	B65D 47/089
						220/833
D656,360 S *	3/2012	Miller	2013/0279287 A1	10/2013	Cerasani	
8,215,511 B1 *	7/2012	Lin	2014/0231378 A1	8/2014	Roos	
			2014/0360908 A1 *	12/2014	Sorensen	B65D 21/0228
						206/501
D665,222 S	8/2012	Cerasani	2015/0173539 A1 *	6/2015	Mason	A47G 19/2272
1,060,419 A1	4/2013	Benjamin				220/707

* cited by examiner

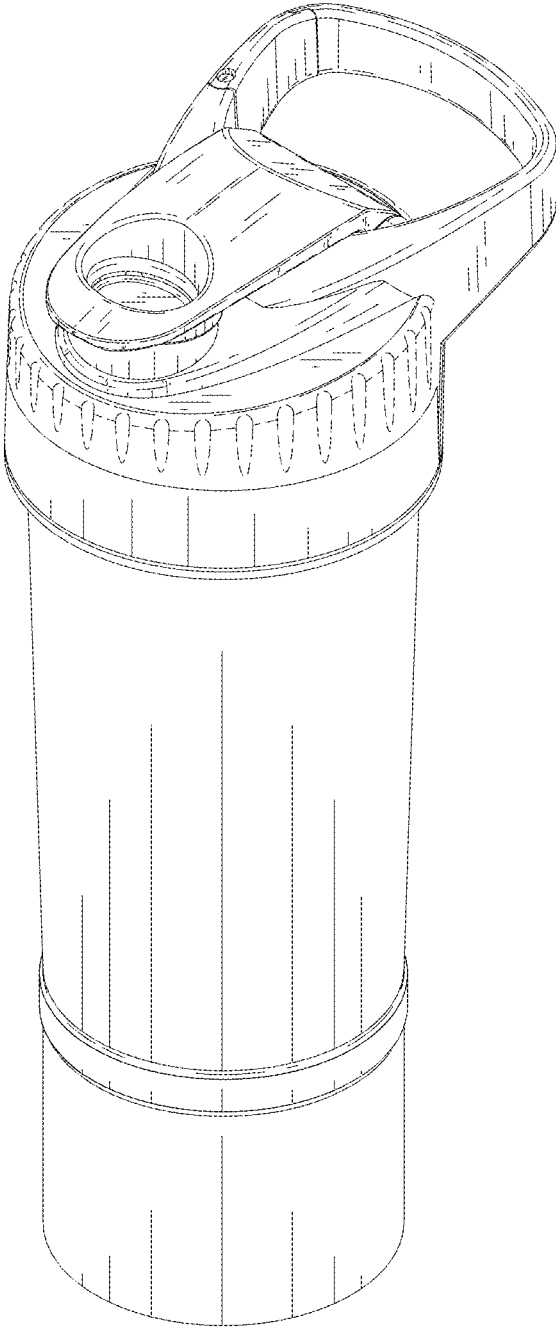


FIG. 1

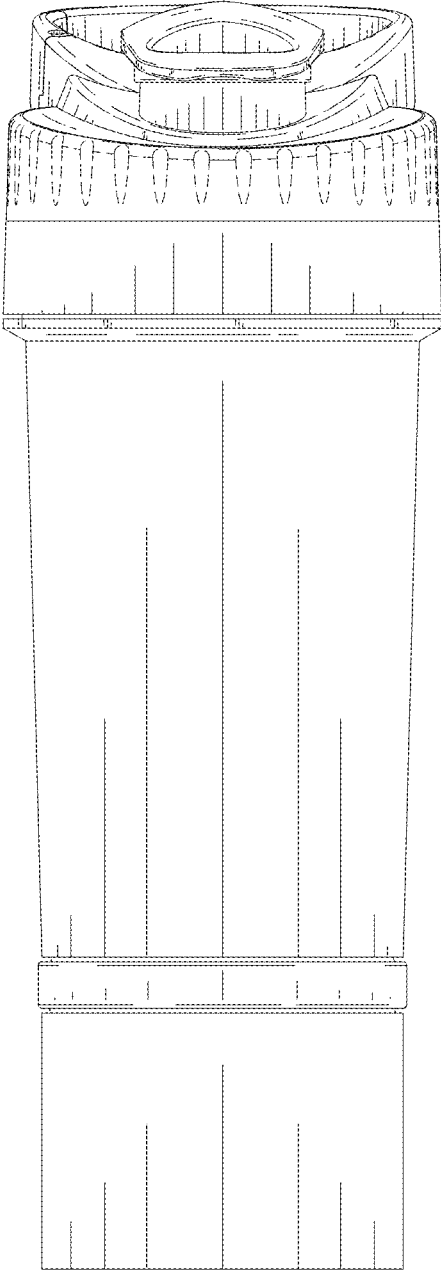


FIG. 2

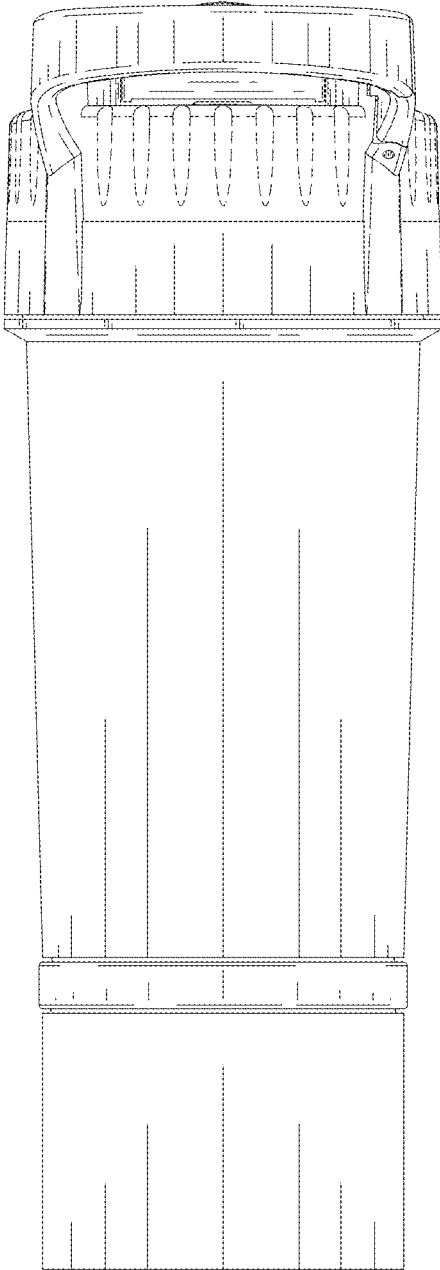


FIG. 3

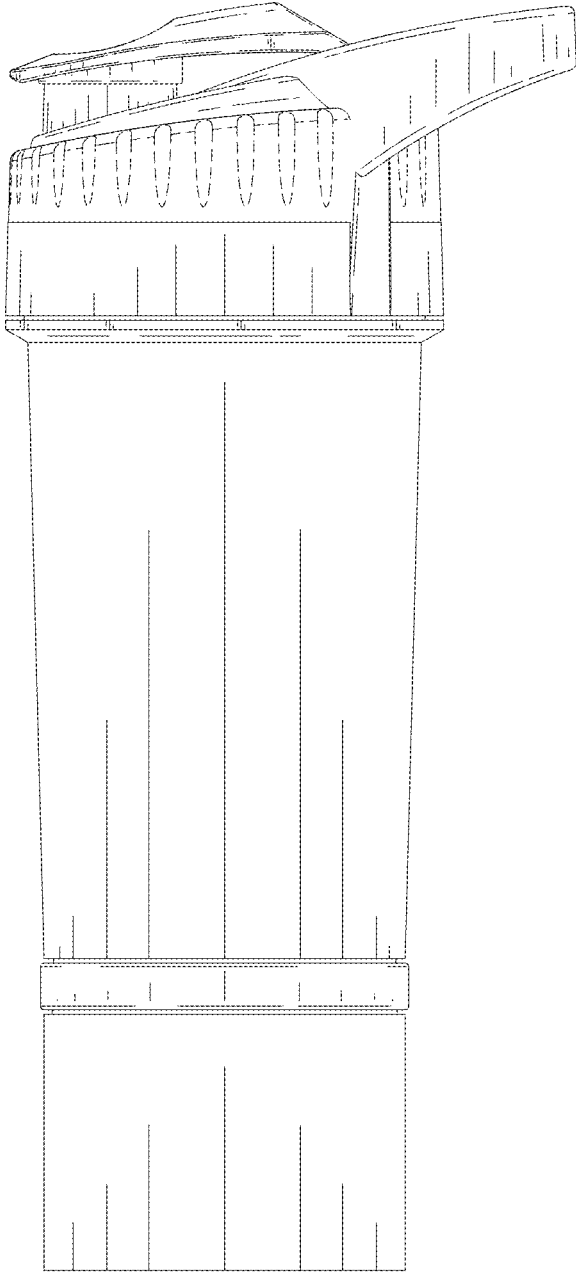


FIG. 4

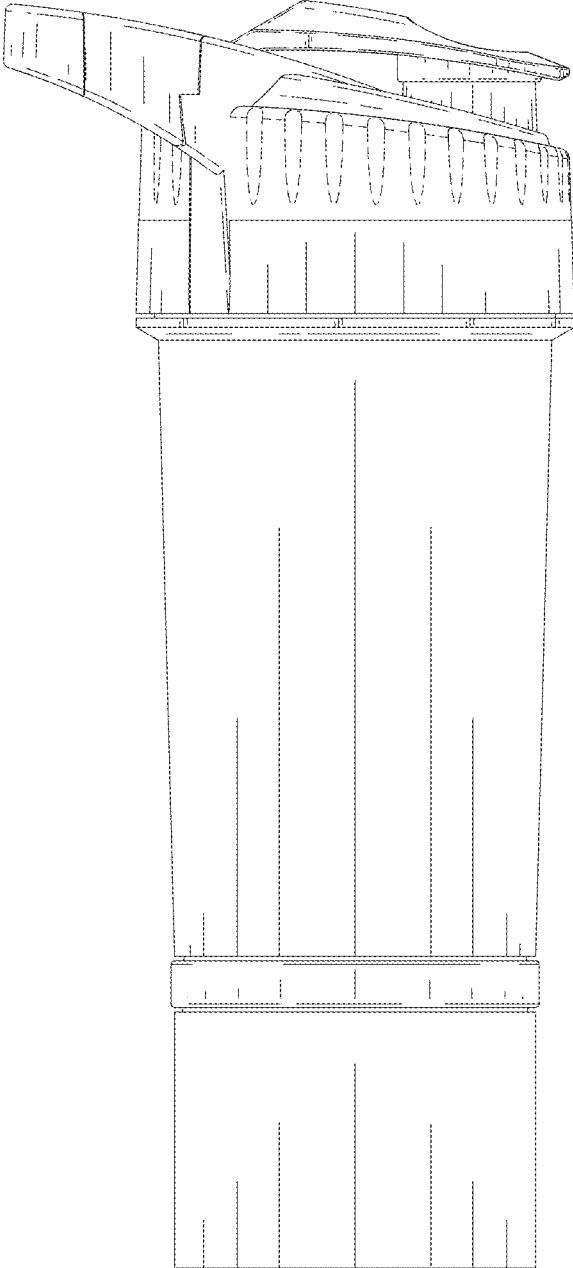


FIG. 5

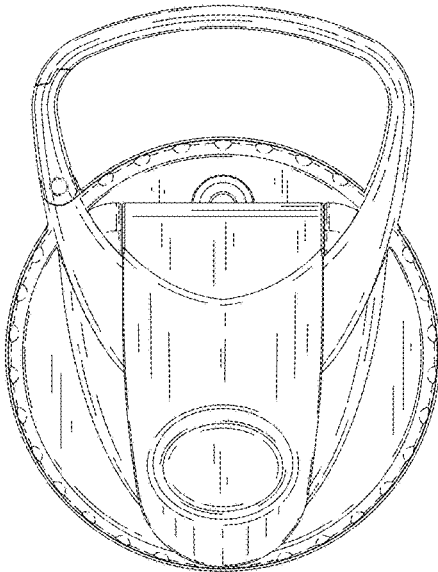


FIG. 6

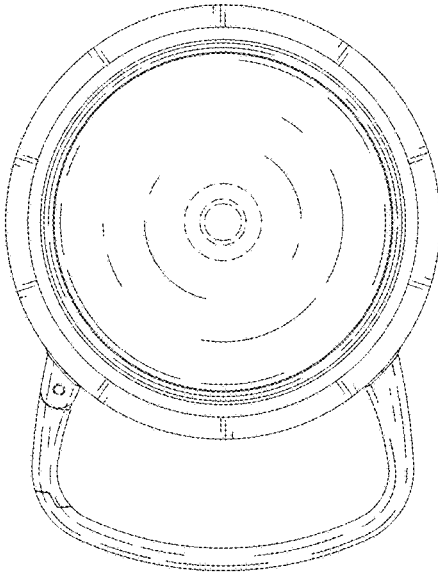


FIG. 7