

(19) World Intellectual Property Organization  
International Bureau



(43) International Publication Date  
27 December 2001 (27.12.2001)

PCT

(10) International Publication Number  
**WO 01/97680 A3**

(51) International Patent Classification<sup>7</sup>: **A61B 19/00**

(21) International Application Number: PCT/US01/20120

(22) International Filing Date: 22 June 2001 (22.06.2001)

(25) Filing Language: English

(26) Publication Language: English

(30) Priority Data:  
60/213,730 22 June 2000 (22.06.2000) US  
60/226,781 21 August 2000 (21.08.2000) US

(71) Applicant: **NUVASIVE, INC.** [US/US]: 10065 Old Grove Avenue, San Diego, CA 92131 (US).

(72) Inventors: **ARAMBULA, Jared**; 3028 Jarvis Street, San Diego, CA 92106 (US). **FOLEY, Kevin**; 2877 Keasler

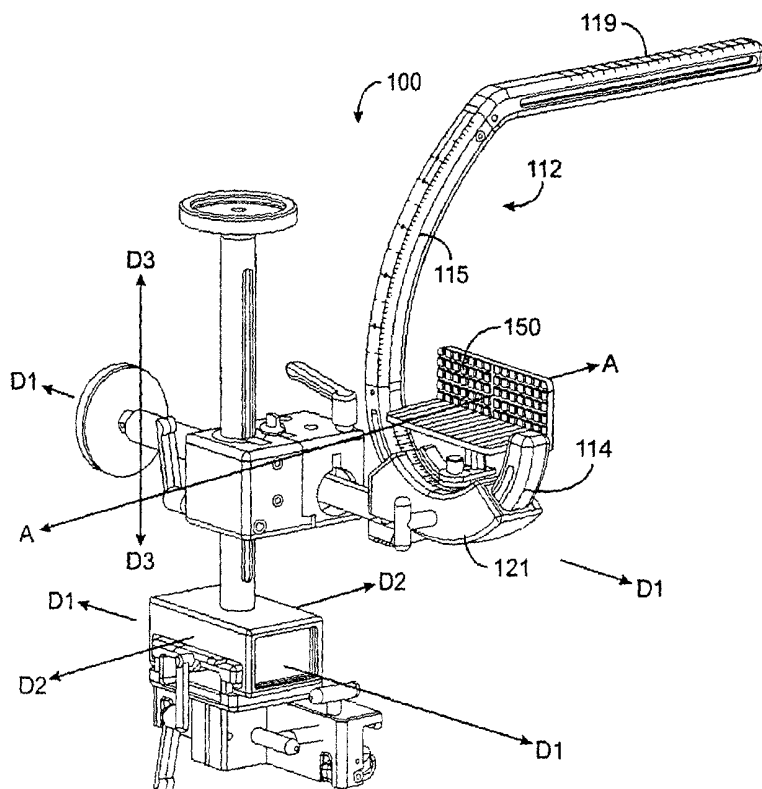
Circle West, Germantown, TN 38139 (US). **MARINO, James, F.**; 2620 St. Tropez Place, La Jolla, CA 92307 (US). **STONE, Alan, Curtis**; 11049 Caminito Alegria, San Diego, CA 92131 (US). **FINLEY, Eric**; 10548 Caminito Canyon, San Diego, CA 92131 (US). **MATSUURA, David**; 1356 Oak View Way, Escondido, CA 92029 (US). **WOOLLEY, Troy**; 10983 Caminto Arcada, San Diego, CA 92131 (US). **ELBANNA, Jamil**; 17285 Grandee Place, San Diego, CA 92128 (US).

(74) Agents: **HECKADON, David, R.** et al.; Townsend and Townsend and Crew LLP, Two Embarcadero Center, 8th Floor, San Francisco, CA 94111-3834 (US).

(81) Designated States (*national*): AE, AG, AL, AM, AT, AU, AZ, BA, BB, BG, BR, BY, BZ, CA, CH, CN, CO, CR, CU, CZ, DE, DK, DM, DZ, EC, EE, ES, FI, GB, GD, GE, GH, GM, HR, HU, ID, IL, IN, IS, JP, KE, KG, KP, KR, KZ, LC, LK, LR, LS, LT, LU, LV, MA, MD, MG, MK, MN, MW,

[Continued on next page]

(54) Title: POLAR COORDINATE SURGICAL GUIDEFRAME



(57) Abstract: A surgical instrument positioning system, comprising: at least one support (20); a cross member (12) having at least one curved end portion (14), the at least one curved end portion (14) being held by the at least one support (20) such that the cross member (12) is rotatable about an axis (A) extending through a center of curvature of the at least one curved end portion (14) of the cross member (12); and at least one surgical instrument holder (40) suspended from the cross member (12). A laser alignment system for an image intensifier, comprising: at least one laser source (300) which emits planar laser beams in a first and second intersecting planes.



WO 01/97680 A3



MX, MZ, NO, NZ, PL, PT, RO, RU, SD, SE, SG, SI, SK,  
SL, TJ, TM, TR, TT, TZ, UA, UG, UZ, VN, YU, ZA, ZW.

**Published:**

— *with international search report*

**(84) Designated States (regional):** ARIPO patent (GH, GM, KE, LS, MW, MZ, SD, SL, SZ, TZ, UG, ZW), Eurasian patent (AM, AZ, BY, KG, KZ, MD, RU, TJ, TM), European patent (AT, BE, CH, CY, DE, DK, ES, FI, FR, GB, GR, IE, IT, LU, MC, NL, PT, SE, TR), OAPI patent (BF, BJ, CF, CG, CI, CM, GA, GN, GW, ML, MR, NE, SN, TD, TG).

**(88) Date of publication of the international search report:**

30 May 2002

*For two-letter codes and other abbreviations, refer to the "Guidance Notes on Codes and Abbreviations" appearing at the beginning of each regular issue of the PCT Gazette.*

# INTERNATIONAL SEARCH REPORT

International application No.

PCT/US01/20120

<b>A. CLASSIFICATION OF SUBJECT MATTER</b>		
IPC(7) : A61B 19/00 US CL : 606/1		
According to International Patent Classification (IPC) or to both national classification and IPC		
<b>B. FIELDS SEARCHED</b>		
Minimum documentation searched (classification system followed by classification symbols) U.S. : 606/1, 12, 130		
Documentation searched other than minimum documentation to the extent that such documents are included in the fields searched		
Electronic data base consulted during the international search (name of data base and, where practicable, search terms used)		
<b>C. DOCUMENTS CONSIDERED TO BE RELEVANT</b>		
Category *	Citation of document, with indication, where appropriate, of the relevant passages	Relevant to claim No.
X	US 5,746,735 A (FURUMOTO et al.) 05 May 1998 (05.05.1998).	57-61
---		-----
Y		62
A	US 5,387,211 A (SAADATMANESH et al.) 07 February 1995 (07.02.1995).	57-62
A	US 5,665,095 A (JACOBSON) 09 September 1997 (09.09.1997).	1-56
A	US 5,695,501 A (CAROL et al.) 09 December 1997 (09.12.1997).	1-56
A	US 5,281,232 A (HAMILTON et al.) 25 January 1994 (25.01.1994).	1-56
<input type="checkbox"/> Further documents are listed in the continuation of Box C. <input type="checkbox"/> See patent family annex.		
* Special categories of cited documents:		
"A"	document defining the general state of the art which is not considered to be of particular relevance	"T" later document published after the international filing date or priority date and not in conflict with the application but cited to understand the principle or theory underlying the invention
"E"	earlier application or patent published on or after the international filing date	"X" document of particular relevance; the claimed invention cannot be considered novel or cannot be considered to involve an inventive step when the document is taken alone
"L"	document which may throw doubts on priority claim(s) or which is cited to establish the publication date of another citation or other special reason (as specified)	"Y" document of particular relevance; the claimed invention cannot be considered to involve an inventive step when the document is combined with one or more other such documents, such combination being obvious to a person skilled in the art
"O"	document referring to an oral disclosure, use, exhibition or other means	"&" document member of the same patent family
"P"	document published prior to the international filing date but later than the priority date claimed	
Date of the actual completion of the international search		Date of mailing of the international search report
28 September 2001 (28.09.2001)		31 DEC 2001
Name and mailing address of the ISA/US Commissioner of Patents and Trademarks Box PCT Washington, D.C. 20231		Authorized Officer Linda Dvorak
Facsimile No. (703)305-3230		Telephone No. (703) 308-0858