



US00D556899S

(12) **United States Design Patent** (10) **Patent No.:** **US D556,899 S**
Veliss et al. (45) **Date of Patent:** **** Dec. 4, 2007**

(54) **SWIVEL ELBOW**

(75) Inventors: **Lee James Veliss**, West Ryde (AU);
Robin Garth Hitchcock, North
Parramatta (AU); **Memduh Guney**,
Killara (AU); **Richard Sokolov**,
Earlwood (AU); **Rachael Elizabeth
Moore**, North Bondi (AU)

(73) Assignee: **ResMed Limited**, Bella Vista (AU)

(**) Term: **14 Years**

(21) Appl. No.: **29/265,325**

(22) Filed: **Aug. 30, 2006**

Related U.S. Application Data

(62) Division of application No. 29/213,882, filed on May
28, 2004, now Pat. No. Des. 542,912.

(51) **LOC (8) Cl.** **29-02**

(52) **U.S. Cl.** **D24/110.1**; D24/110.5;
D24/129

(58) **Field of Classification Search** D24/110,
D24/110.1-110.5, 129; 128/206.11, 207.13,
128/207.15, 207.16, 207.17, 207.18, 205.25,
128/206.24, 204.11

See application file for complete search history.

(56) **References Cited**

U.S. PATENT DOCUMENTS

2,763,263 A	9/1956	Ellman
3,513,844 A	5/1970	Smith
4,782,832 A	11/1988	Trimble et al.
6,119,694 A	9/2000	Correa et al.

6,192,886 B1 *	2/2001	Rudolph	128/207.13
6,431,172 B1	8/2002	Bordewick	
6,595,215 B2	7/2003	Wood	
D496,098 S *	9/2004	Guney et al.	D24/110.1
6,907,882 B2	6/2005	Ging et al.	
7,219,669 B1 *	5/2007	Lovell et al.	128/206.24

OTHER PUBLICATIONS

U.S. Appl. No. 29/213,882, filed May 2004, Gunaratnam et al.
InnoMed Technologies, "Nasal-Pap Freestyle™" Brochure, 2004, 2
pages.

InnoMed Technologies, "Nasal Aire™" Brochure 2003, 1 page.
VIASYS Healthcare, "LYRA Nasal CPAP Interface" Brochure,
2004, 2 pages.

* cited by examiner

Primary Examiner—Ian Simmons

Assistant Examiner—Christopher Lee

(74) *Attorney, Agent, or Firm*—Nixon & Vanderhye P.C.

(57) **CLAIM**

The ornamental design for a swivel elbow, as shown.

DESCRIPTION

FIG. 1 is a perspective view illustrating a swivel elbow
according to an embodiment of our design;

FIG. 2 is a front view thereof;

FIG. 3 is a rear view thereof;

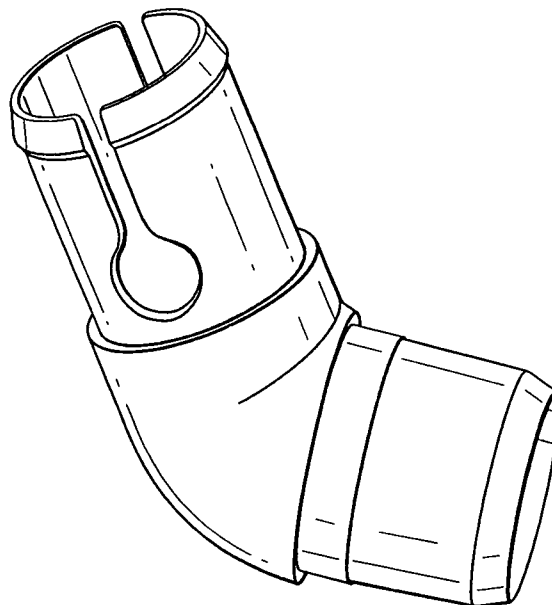
FIG. 4 is a right side view thereof;

FIG. 5 is a left side view thereof;

FIG. 6 is a top view thereof; and,

FIG. 7 is a bottom view thereof.

1 Claim, 2 Drawing Sheets



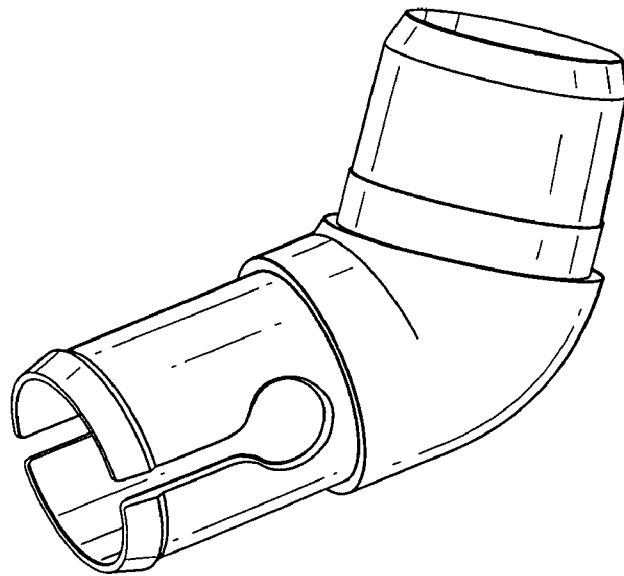


Fig. 1

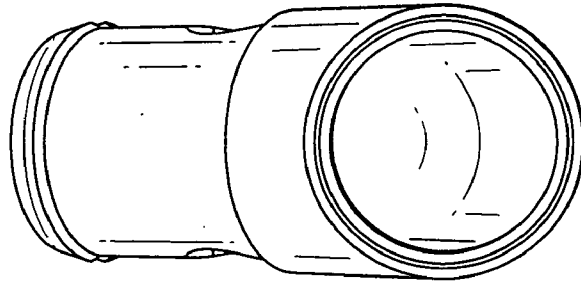


Fig. 2

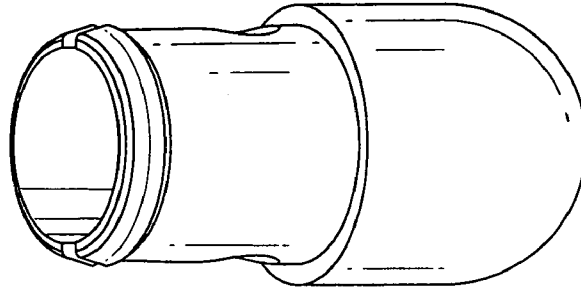


Fig. 3

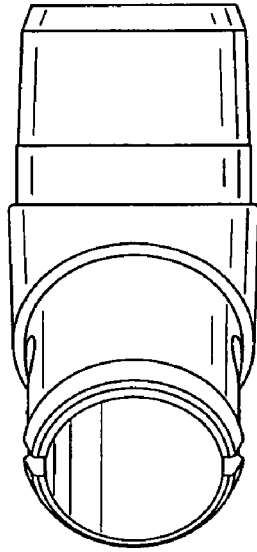


Fig. 6

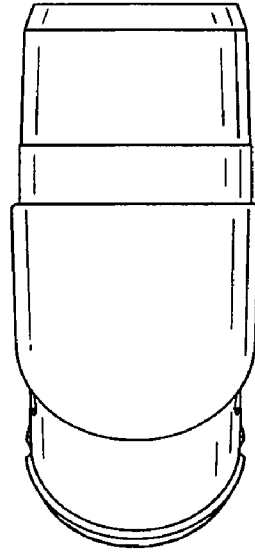


Fig. 7

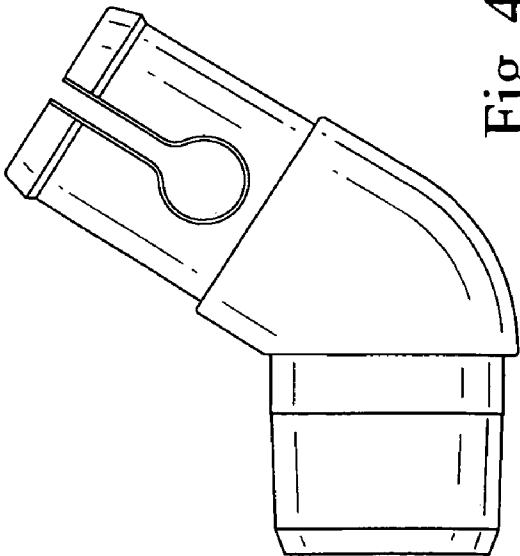


Fig. 4

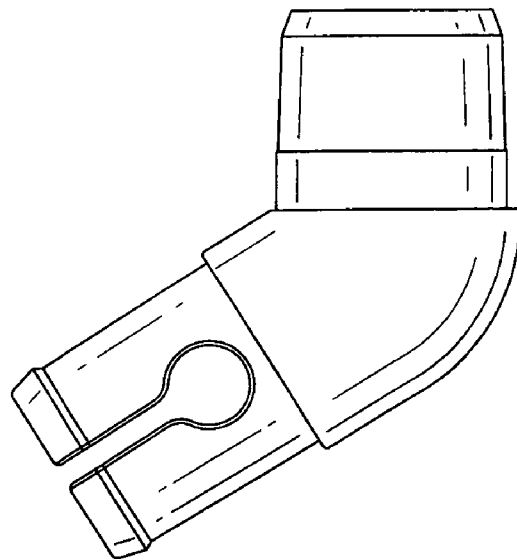


Fig. 5