



US00D520667S

(12) **United States Design Patent**  
**Jae-Sung et al.**

(10) **Patent No.:** **US D520,667 S**

(45) **Date of Patent:** **\*\* May 9, 2006**

(54) **LIGHT FIXTURE FOR COLD CATHODE FLUORESCENCE LAMP**

(75) Inventors: **Hwang Jae-Sung**, Gyeonggi-do (KR);  
**Hur Han**, Gyeonggi-do (KR); **So Min-Su**, Daejeon (KR)

(73) Assignee: **Kumho Electric, Inc.**, Seoul (KR)

(\*\*) Term: **14 Years**

(21) Appl. No.: **29/233,415**

(22) Filed: **Jul. 1, 2005**

(51) **LOC (8) Cl.** ..... **26-03**

(52) **U.S. Cl.** ..... **D26/76; D26/25**

(58) **Field of Classification Search** ..... D26/72,  
D26/75-78, 118, 122, 25; 362/605, 147,  
362/151, 217-225

See application file for complete search history.

(56) **References Cited**

**U.S. PATENT DOCUMENTS**

4,229,780	A	*	10/1980	Nelson	.....	362/218
D280,025	S	*	8/1985	Waters	.....	D26/24
D280,346	S	*	8/1985	Aspenwall	.....	D26/75
D396,122	S	*	7/1998	Noh	.....	D26/76

\* cited by examiner

*Primary Examiner*—Clare E Heflin  
(74) *Attorney, Agent, or Firm*—Heslin, Rothenberg Farley & Mesiti P.C.

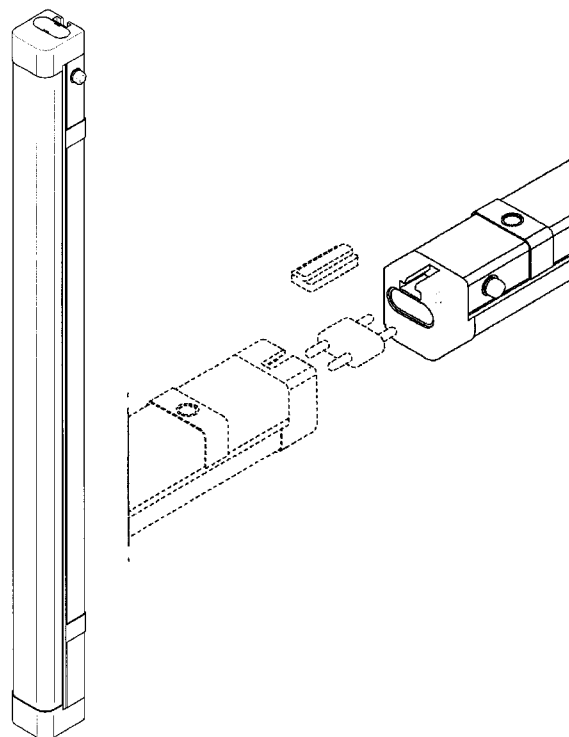
(57) **CLAIM**

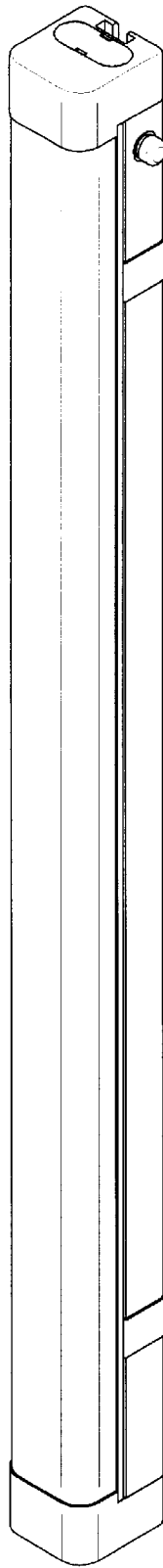
The ornamental design for a light fixture for cold cathode fluorescence lamp, substantially as shown and described.

**DESCRIPTION**

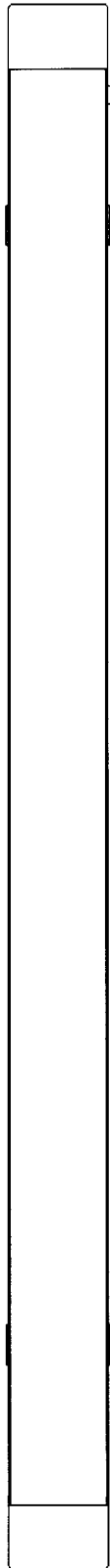
FIG. 1 is a perspective view of a light fixture for cold cathode fluorescence lamp showing the new design; FIG. 2 is a front elevation view thereof; FIG. 3 is a rear elevation view thereof; FIG. 4 is a left-side elevation view thereof; FIG. 5 is a right-side elevation view thereof; FIG. 6 is a top plan view thereof; FIG. 7 is a bottom plan view thereof; FIG. 8 is a reference view showing a left-side elevation perspective view of the light fixture for cold cathode fluorescence lamp; FIG. 9 is a reference view showing a rear elevation perspective view of the light fixture for cold cathode fluorescence lamp; FIG. 10 is a reference view showing the light fixture for cold cathode fluorescence lamp as used; and, FIG. 11 is another reference view showing the light fixture for cold cathode fluorescence lamp as used. The broken lines shown on the drawings are for illustrative purposes only and form no part of the claimed design.

**1 Claim, 10 Drawing Sheets**





**FIG. 1**



**FIG. 2**

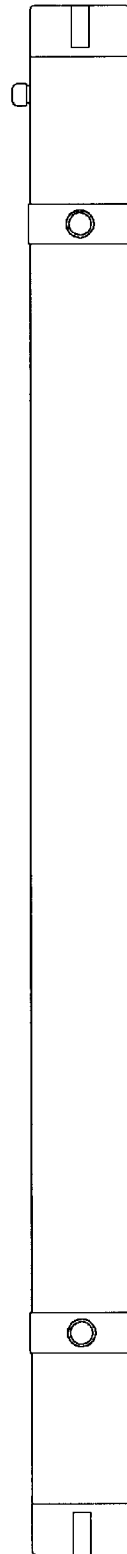


FIG. 3



**FIG. 4**

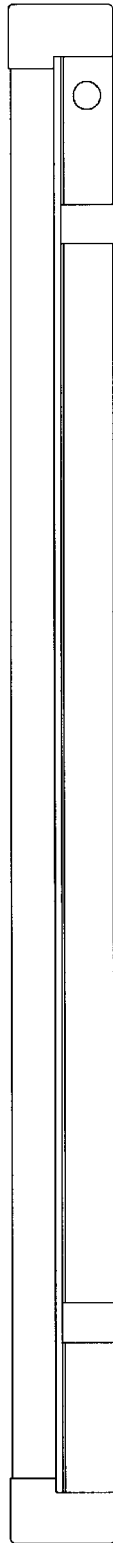
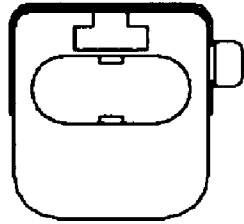
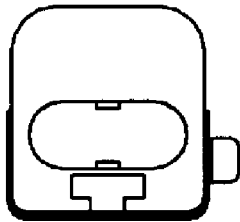


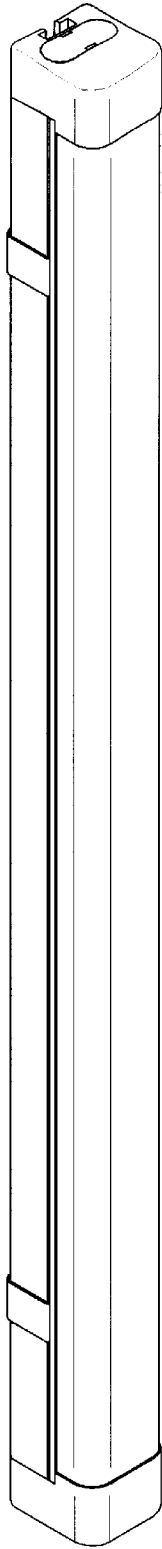
FIG. 5



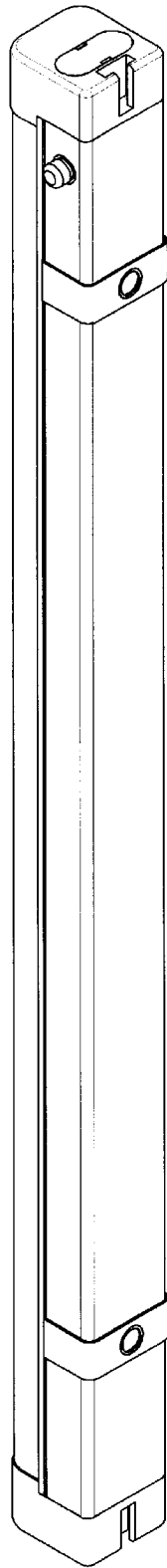
**FIG. 6**



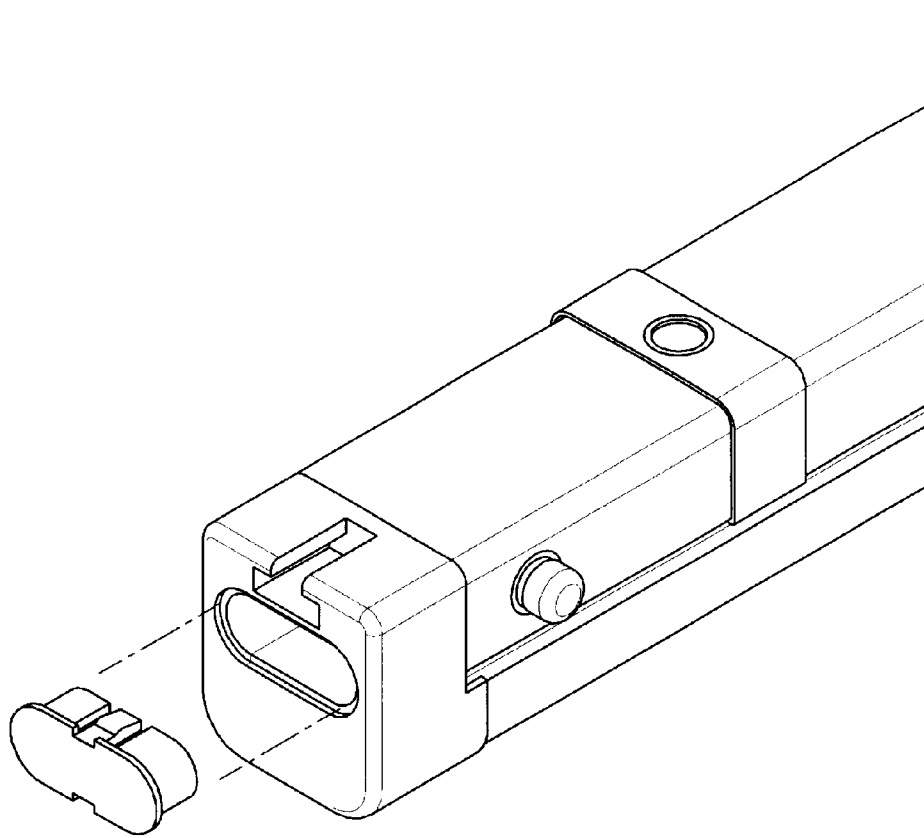
**FIG. 7**



**FIG. 8**



**FIG. 9**



**FIG. 10**

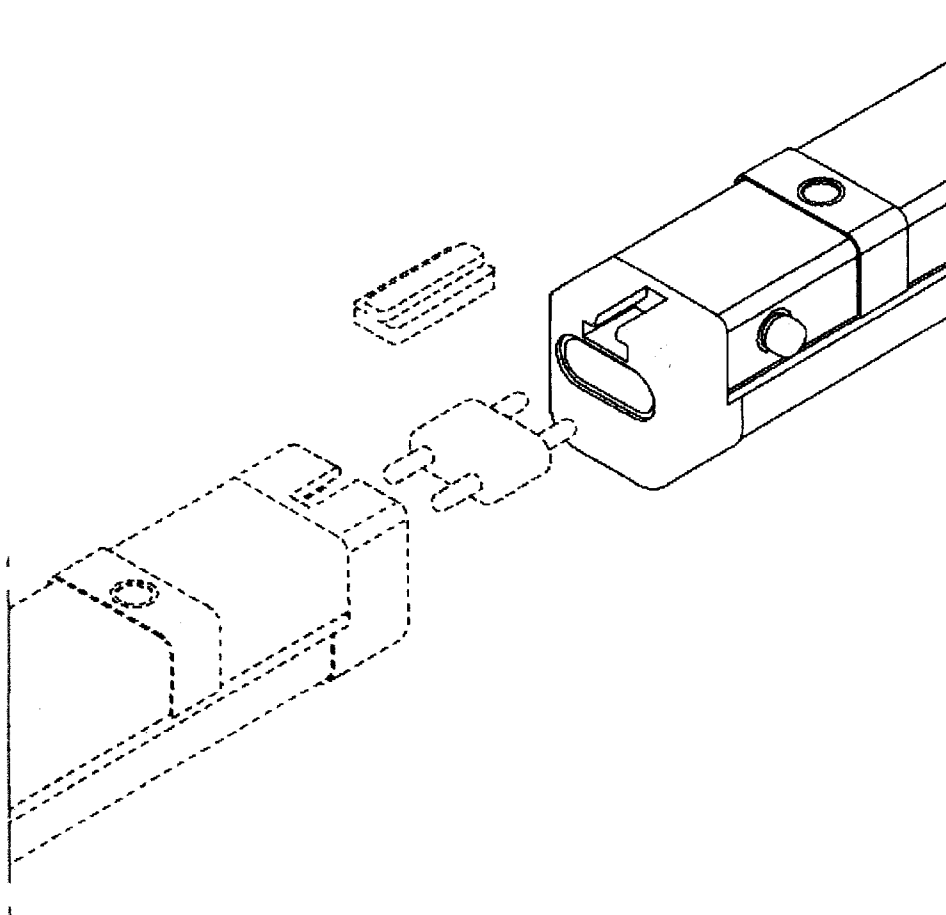


FIG. 11