



US00D750421S

(12) **United States Design Patent**
Ho

(10) **Patent No.:** **US D750,421 S**

(45) **Date of Patent:** **** Mar. 1, 2016**

(54) **ROTARY BARBEQUE**

(71) Applicant: **Wei-Teh Ho**, Taipei (TW)

(72) Inventor: **Wei-Teh Ho**, Taipei (TW)

(**) Term: **14 Years**

(21) Appl. No.: **29/493,108**

(22) Filed: **Jun. 5, 2014**

(51) **LOC (10) Cl.** **07-02**

(52) **U.S. Cl.**

USPC **D7/362; D7/360**

(58) **Field of Classification Search**

USPC D7/323, 354-366, 391, 393-396, 409,
D7/542, 629; D9/429

CPC A47G 19/12; A47J 27/00; A47J 27/002;

A47J 27/08; A47J 27/21; A47J 27/58; A47J

36/025; A47J 36/06; A47J 36/12; A47J 37/00;

A47J 37/10; A47J 37/101; A47J 37/103;

A47J 37/12; A47J 37/1204; A47J 45/061;

A47J 45/071; A47J 45/08; H05B 6/12

See application file for complete search history.

(56) **References Cited**

U.S. PATENT DOCUMENTS

D99,555 S	*	5/1936	Smith	D7/360
D468,202 S	*	1/2003	Chou	D9/425
D520,806 S	*	5/2006	Ryan	D7/354
D537,300 S	*	2/2007	Kim	D7/542

D557,062 S	*	12/2007	Henry	D7/360
D565,342 S	*	4/2008	Ryan	D7/354
D566,457 S	*	4/2008	Ryan	D7/360
D577,549 S	*	9/2008	Plante	D7/538
D587,065 S	*	2/2009	Loring	D7/391
D625,548 S	*	10/2010	Lavy	D7/366
D638,290 S	*	5/2011	Cimmerer	D9/429
D649,035 S	*	11/2011	Riales	D9/429
D734,976 S	*	7/2015	Quinn	D7/354

* cited by examiner

Primary Examiner — Ricky Pham

(74) *Attorney, Agent, or Firm* — Blakely, Sokoloff, Taylor & Zafman LLP

(57) **CLAIM**

The ornamental design for a rotary barbeque, as shown and described.

DESCRIPTION

FIG. 1 is a perspective view showing the new design for a rotary barbeque;

FIG. 2 is a front view thereof;

FIG. 3 is a rear view thereof;

FIG. 4 is a right side view thereof;

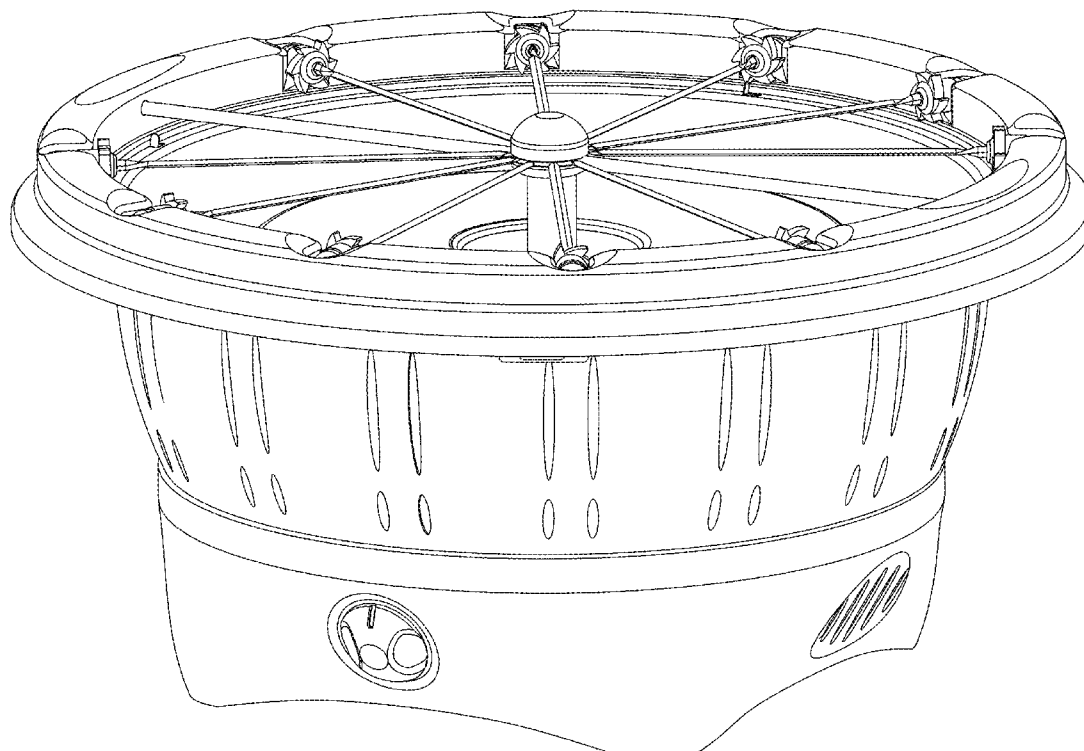
FIG. 5 is a left side view thereof;

FIG. 6 is a top view thereof; and,

FIG. 7 is a bottom view thereof.

The broken lines shown in the drawings are for illustrative purposes only and form no part of the claimed design.

1 Claim, 7 Drawing Sheets



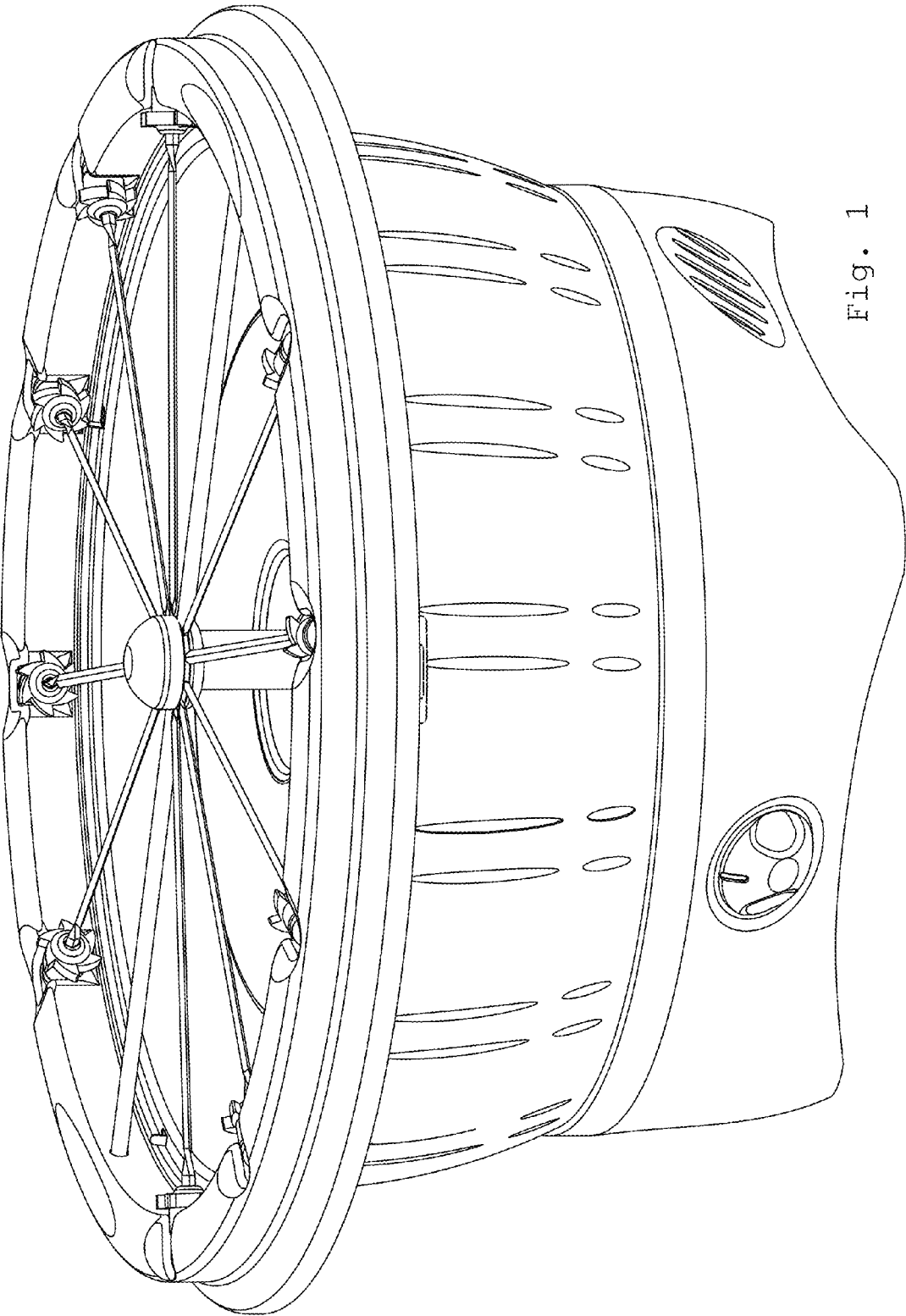


Fig. 1

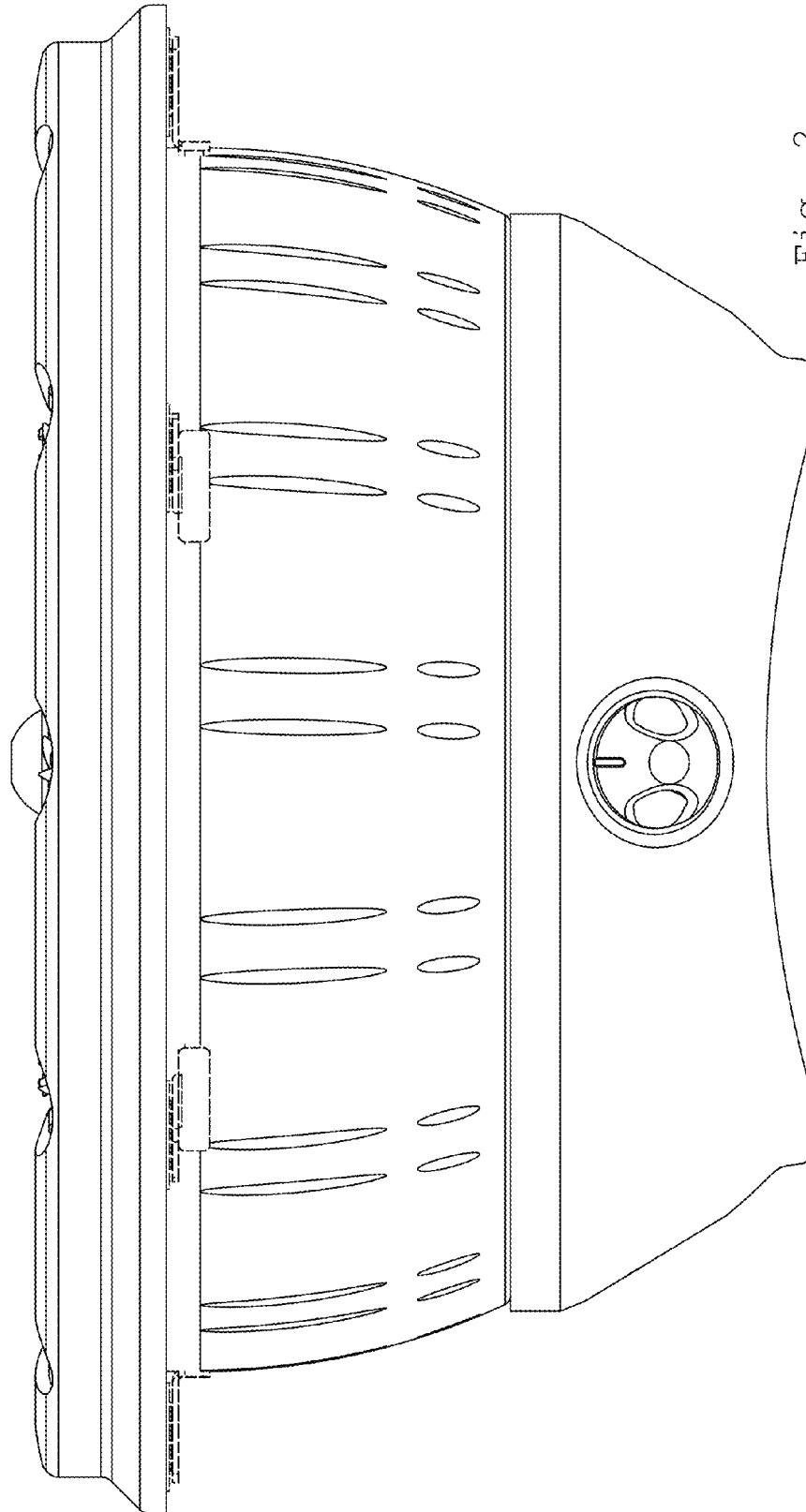


Fig. 2

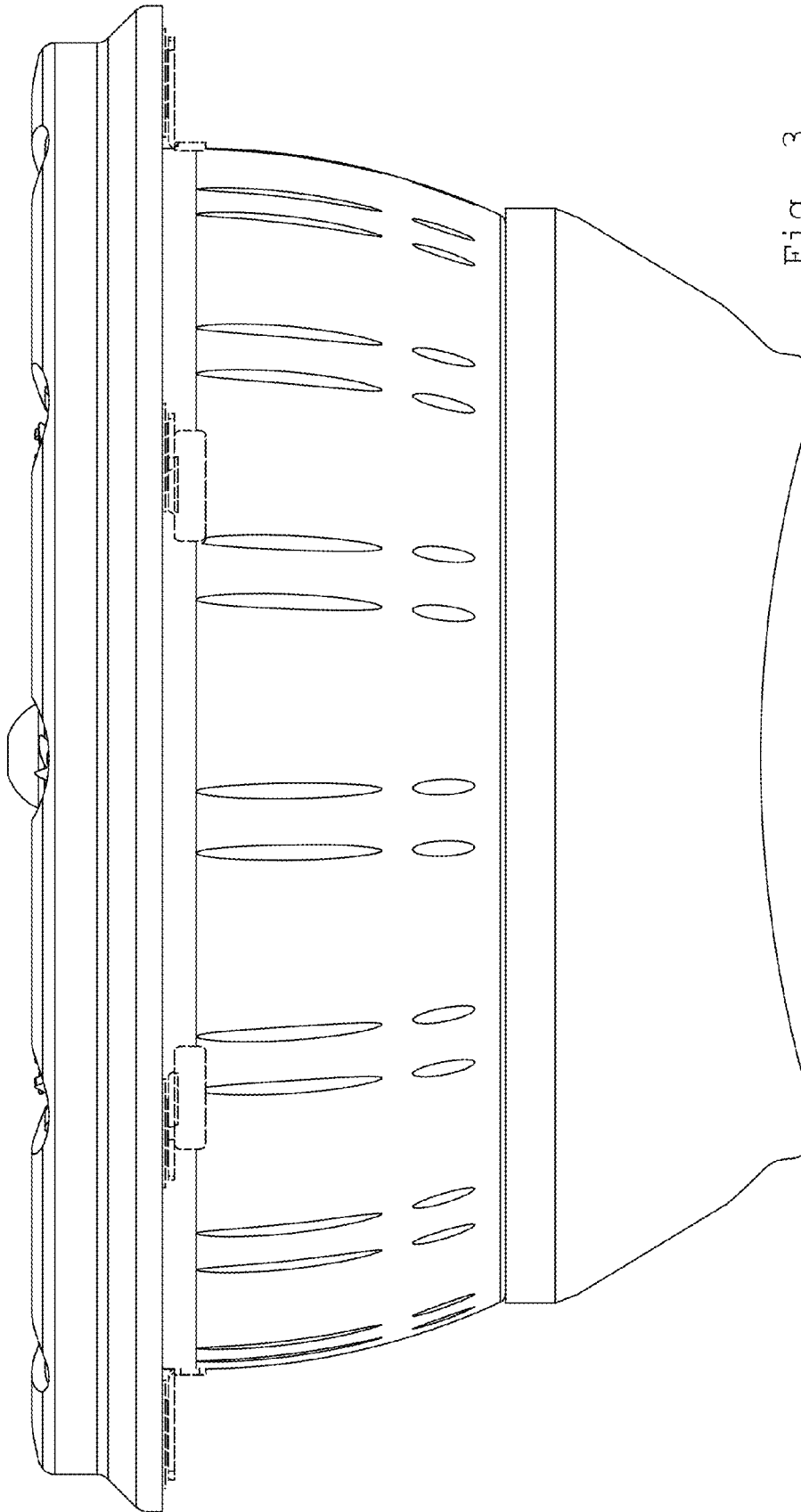


Fig. 3

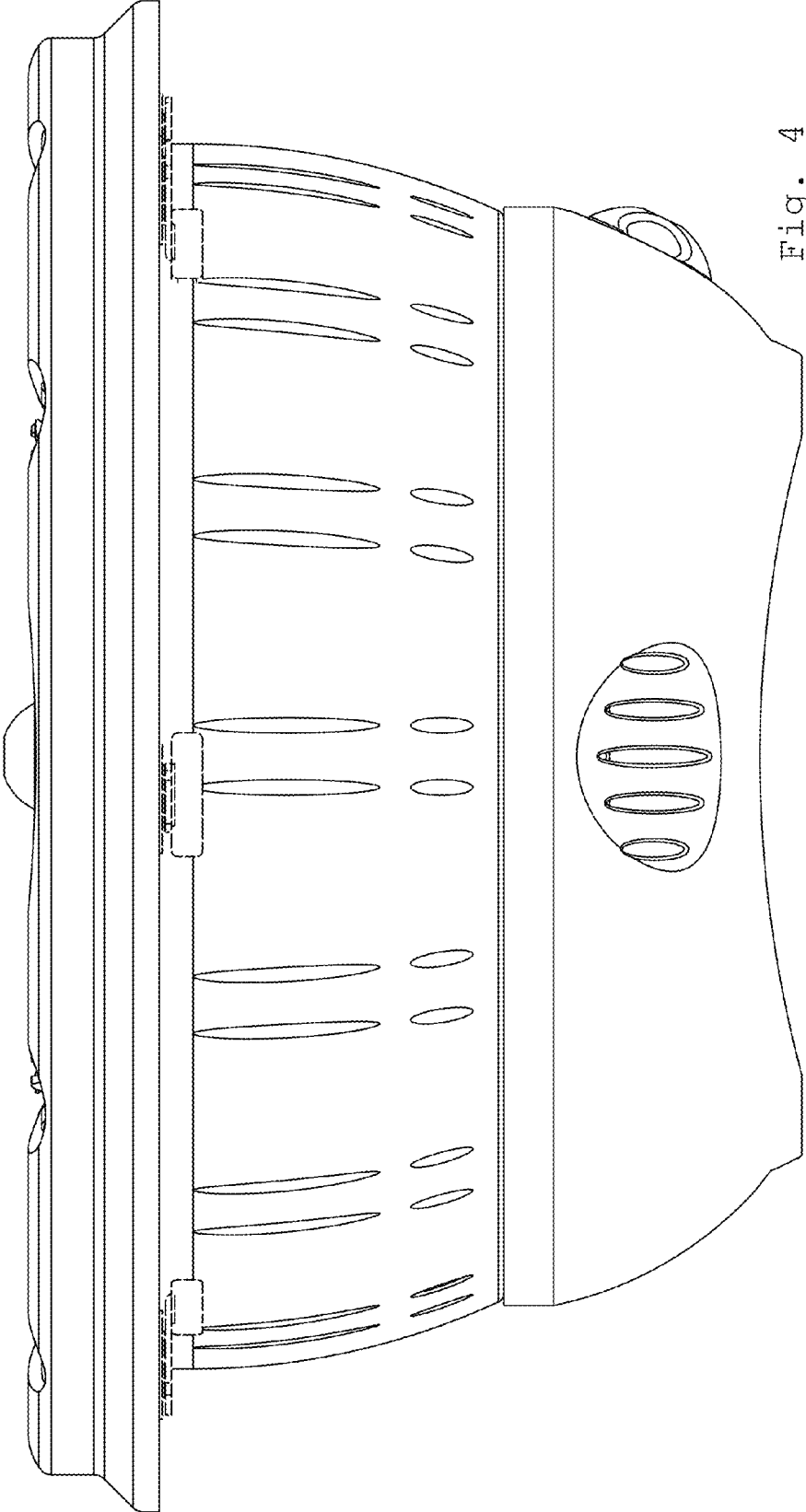


Fig. 4

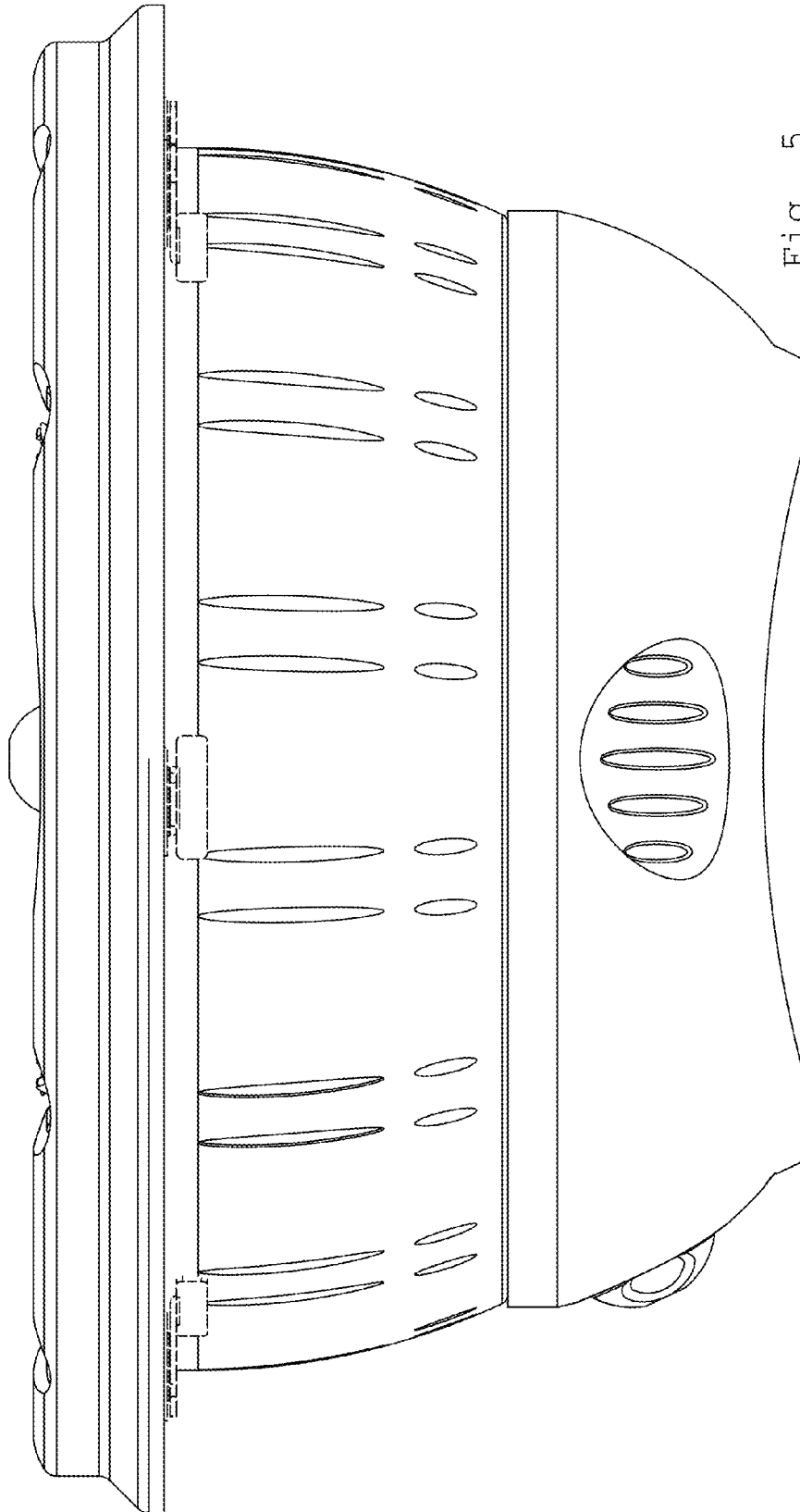


Fig. 5

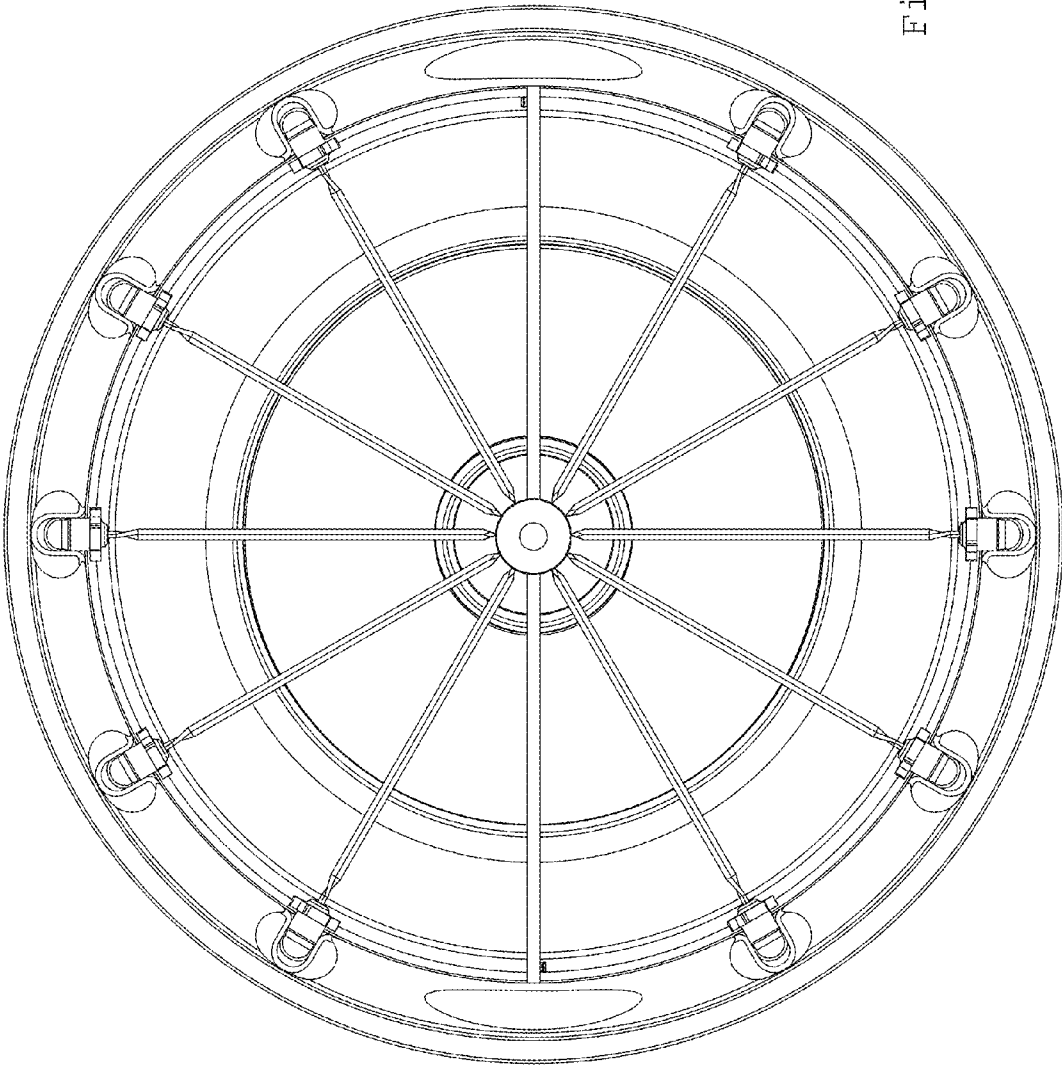


Fig. 6

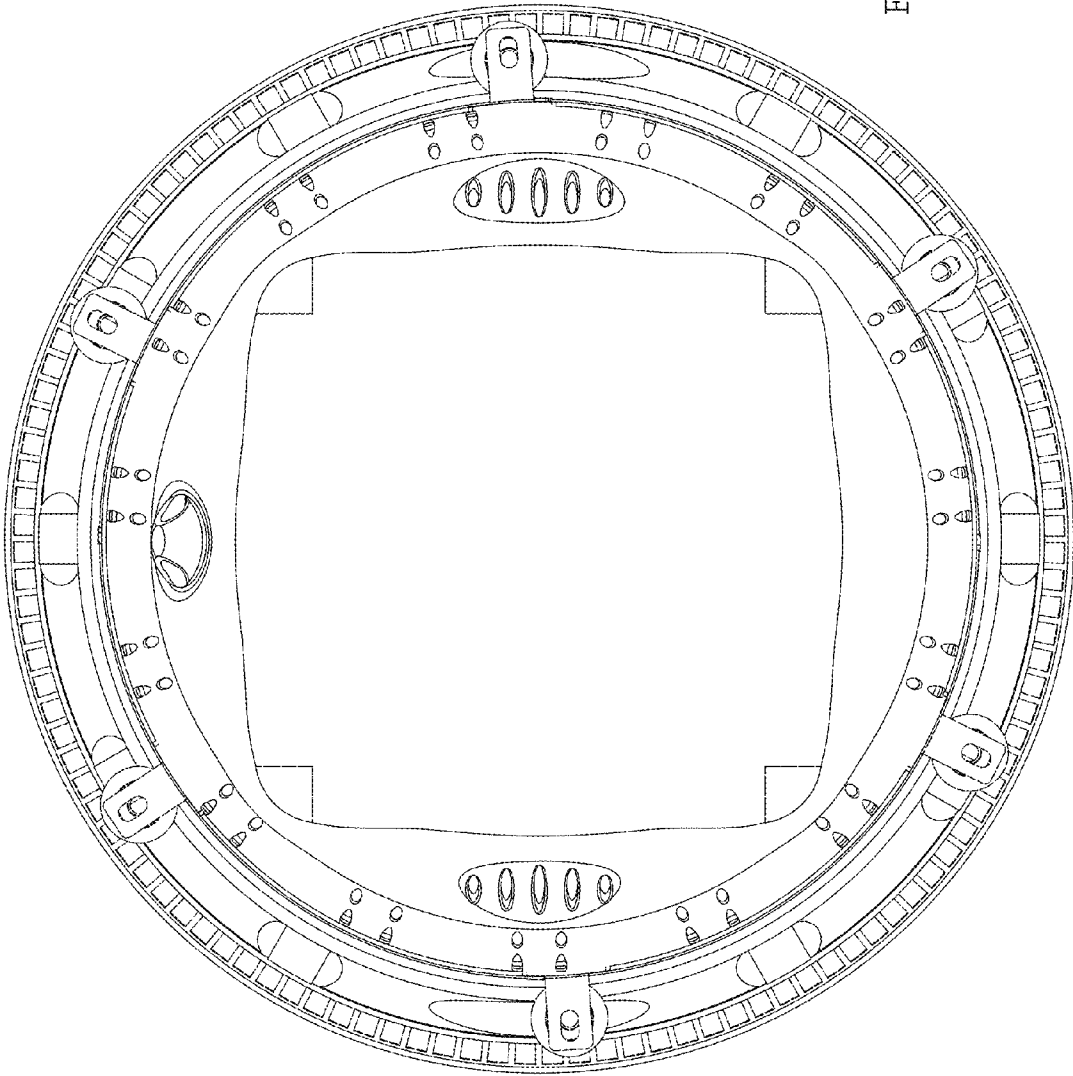


Fig. 7