



- (51) **International Patent Classification:**
H04L 12/26 (2006.01) *H04L 27/00* (2006.01)
- (21) **International Application Number:**
PCT/US2012/033543
- (22) **International Filing Date:**
13 April 2012 (13.04.2012)
- (25) **Filing Language:** English
- (26) **Publication Language:** English
- (30) **Priority Data:**
13/089,906 19 April 2011 (19.04.2011) US
- (63) **Related by continuation (CON) or continuation-in-part (CIP) to earlier application:**
US 13/089,906 (CON)
Filed on 19 April 2011 (19.04.2011)
- (71) **Applicant (for all designated States except US):**
HOWARD UNIVERSITY [US/US]; 2400 Sixth Street NW, Washington, District of Columbia 20059 (US).
- (72) **Inventor; and**
- (75) **Inventor/Applicant (for US only):** **KIM, Charles J.** [US/US]; 4021 Estabrook Drive, Annandale, Virginia 22003 (US).
- (74) **Agents:** **KRATZ, Rudy** et al; Fitch, Even, Tabin & Flannery, 120 S. LaSalle Street, Suite 1600, Chicago, Illinois 60603 (US).
- (81) **Designated States (unless otherwise indicated, for every kind of national protection available):** AE, AG, AL, AM,

AO, AT, AU, AZ, BA, BB, BG, BH, BR, BW, BY, BZ, CA, CH, CL, CN, CO, CR, CU, CZ, DE, DK, DM, DO, DZ, EC, EE, EG, ES, FI, GB, GD, GE, GH, GM, GT, HN, HR, HU, ID, IL, IN, IS, JP, KE, KG, KM, KN, KP, KR, KZ, LA, LC, LK, LR, LS, LT, LU, LY, MA, MD, ME, MG, MK, MN, MW, MX, MY, MZ, NA, NG, NI, NO, NZ, OM, PE, PG, PH, PL, PT, QA, RO, RS, RU, RW, SC, SD, SE, SG, SK, SL, SM, ST, SV, SY, TH, TJ, TM, TN, TR, TT, TZ, UA, UG, US, UZ, VC, VN, ZA, ZM, ZW.

(84) **Designated States (unless otherwise indicated, for every kind of regional protection available):** ARIPO (BW, GH, GM, KE, LR, LS, MW, MZ, NA, RW, SD, SL, SZ, TZ, UG, ZM, ZW), Eurasian (AM, AZ, BY, KG, KZ, MD, RU, TJ, TM), European (AL, AT, BE, BG, CH, CY, CZ, DE, DK, EE, ES, FI, FR, GB, GR, HR, HU, IE, IS, IT, LT, LU, LV, MC, MK, MT, NL, NO, PL, PT, RO, RS, SE, SI, SK, SM, TR), OAPI (BF, BJ, CF, CG, CI, CM, GA, GN, GQ, GW, ML, MR, NE, SN, TD, TG).

Declarations under Rule 4.17:

- as to applicant's entitlement to apply for and be granted a patent (Rule 4.17(H))
- as to the applicant's entitlement to claim the priority of the earlier application (Rule 4.17(in))

Published:

- with international search report (Art. 21(3))
- before the expiration of the time limit for amending the claims and to be republished in the event of receipt of amendments (Rule 48.2(h))

[Continued on next page]

(54) **Title:** SYSTEM AND METHOD OF DETECTING AND LOCATING INTERMITTENT AND OTHER FAULTS

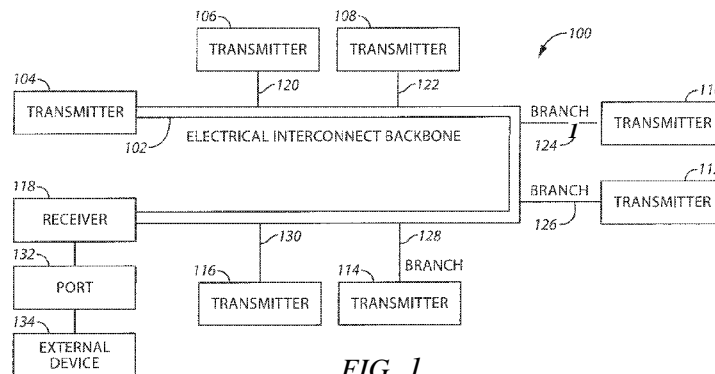


FIG. 1

(57) **Abstract:** Data associated with at least one building condition or status is sensed by one or more sensors. The data from these sensors may be sent over a data bus and received by the central computer. In addition, a modulated signal may be transmitted by one or both of the transmitters across the data bus. The modulated signal is received at the receiver, which analyzes the received modulated signal, and determines whether an intermittent fault has occurred on the data bus based upon the analyzing. For example, the receiver may compare the received signal to an expected pattern and when a discrepancy exists, an intermittent fault is determined to exist. The receiver may also determine the location of the fault based upon the analysis.

WO2012/145246 A3

(88) Date of publication of the international search report:
10 January 2013

A. CLASSIFICATION OF SUBJECT MATTER**H04L 12/26(2006.01)i, H04L 27/00(2006.01)1**

According to International Patent Classification (IPC) or to both national classification and IPC

B. FIELDS SEARCHED

Minimum documentation searched (classification system followed by classification symbols)

H04L 12/26; H04B 1/59; G05B 15/00; B60R 16/02; G05D 23/00

Documentation searched other than minimum documentation to the extent that such documents are included in the fields searched

Korean utility models and applications for utility models

Japanese utility models and applications for utility models

Electronic data base consulted during the international search (name of data base and, where practicable, search terms used)

eKOMPASS(KIPO internal) & Keywords:vehicle, sensor, transceiver, data, fault

C. DOCUMENTS CONSIDERED TO BE RELEVANT

Category *	Citation of document, with indication, where appropriate, of the relevant passages	Relevant to claim No.
X A	wo 2006-120757 AI (HITACHI, LTD. et al.) 16 November 2006 abstract, page 5, line 2 - page 8, line 24, claims 1-2, figures 1-2.	1,8,14,18,23,26 2-7,9-13,15-17 ,19-22,24-25,27-28
A	US 2010-0110828 AI (RUSSO DONATO M et al.) 06 May 2010 abstract, paragraphs [0009]-[0011], paragraph [0018], claims 1, 7, figures 1.	1-28
A	US 2007-0191987 AI (DANG HIEN P. et al.) 16 August 2007 abstract, paragraphs [0003]-[0015], paragraphs [0021H0022], claims 1, 9, figures 1-2.	1-28

 Further documents are listed in the continuation of Box C. See patent family annex.

* Special categories of cited documents:

"A" document defining the general state of the art which is not considered to be of particular relevance

"E" earlier application or patent but published on or after the international filing date

"L" document which may throw doubts on priority claim(s) or which is cited to establish the publication date of citation or other special reason (as specified)

"O" document referring to an oral disclosure, use, exhibition or other means

"P" document published prior to the international filing date but later than the priority date claimed

"T" later document published after the international filing date or priority date and not in conflict with the application but cited to understand the principle or theory underlying the invention

"X" document of particular relevance; the claimed invention cannot be considered novel or cannot be considered to involve an inventive step when the document is taken alone

"Y" document of particular relevance; the claimed invention cannot be considered to involve an inventive step when the document is combined with one or more other such documents, such combination being obvious to a person skilled in the art

"&" document member of the same patent family

Date of the actual completion of the international search

29 OCTOBER 2012 (29.10.2012)

Date of mailing of the international search report

30 OCTOBER 2012 (30.10.2012)

Name and mailing address of the ISA/KR

Korean Intellectual Property Office
189 Cheongsu-ro, Seo-gu, Daejeon Metropolitan
City, 302-70 1, Republic of Korea

Facsimile No. 82-42-472-7140

Authorized officer

LEE, Saang Woong

Telephone No. 82-42-481-5657



INTERNATIONAL SEARCH REPORT

Information on patent family members

International application No.

PCT/US2012/033543

Patent document cited in search report	Publication date	Patent family member(s)	Publication date
WO 2006- 120757 A1	16 . 11 . 2006	CN 10 117 1153 A CN 10 117 1153 B EP 18826 13 A1 EP 18826 13 A4 US 2009-0306844 A1	30 . 04 . 2008 12 . 05 . 2010 30 . 0 1 . 2008 06 . 0 1 . 2010 10 . 12 . 2009
US 2010-0 110828 A1	06 . 05 . 20 10	US 7986585 B2	26 . 07 . 201 1
US 2007-0 191987 A1	16 . 08 . 2007	US 7315768 B2	0 1 . 0 1 . 2008