

(19) World Intellectual Property Organization
International Bureau



(43) International Publication Date
1 February 2007 (01.02.2007)

PCT

(10) International Publication Number
WO 2007/014292 A3

(51) International Patent Classification:
A61B 8/00 (2006.01)

(US). CHEN, Jiayu [US/US]; 761 De Soto Drive, Palo Alto, CA 94303 (US).

(21) International Application Number:
PCT/US2006/029179

(74) Agents: KAVRUKOV, Ivan, s. et al.; COOPER & DUNHAM, LLP, 1185 Avenue Americas, New York, New York 10036 (US).

(22) International Filing Date: 25 July 2006 (25.07.2006)

(81) Designated States (unless otherwise indicated, for every kind of national protection available): AE, AG, AL, AM, AT, AU, AZ, BA, BB, BG, BR, BW, BY, BZ, CA, CH, CN, CO, CR, CU, CZ, DE, DK, DM, DZ, EC, EE, EG, ES, FI, GB, GD, GE, GH, GM, HN, HR, HU, ID, IL, IN, IS, JP, KE, KG, KM, KN, KP, KR, KZ, LA, LC, LK, LR, LS, LT, LU, LV, LY, MA, MD, MG, MK, MN, MW, MX, MZ, NA, NG, NI, NO, NZ, OM, PG, PH, PL, PT, RO, RS, RU, SC, SD, SE, SG, SK, SL, SM, SY, TJ, TM, TN, TR, TT, TZ, UA, UG, US, UZ, VC, VN, ZA, ZM, ZW.

(25) Filing Language: English

(26) Publication Language: English

(30) Priority Data:
60/702,202 25 July 2005 (25.07.2005) US
60/713,322 31 August 2005 (31.08.2005) US

(71) Applicant (for all designated States except US): U-SYSTEMS, INC. [US/US]; 110 Rose Orchard Way, San Jose, CA 95134-1358 (US).

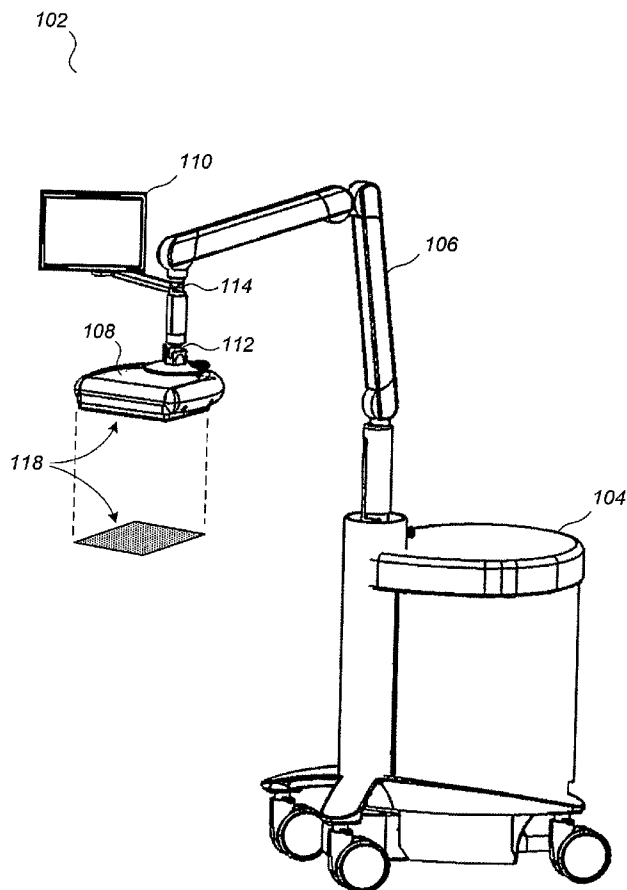
(84) Designated States (unless otherwise indicated, for every kind of regional protection available): ARIPO (BW, GH, GM, KE, LS, MW, MZ, NA, SD, SL, SZ, TZ, UG, ZM, ZW), Eurasian (AM, AZ, BY, KG, KZ, MD, RU, TJ, TM), European (AT, BE, BG, CH, CY, CZ, DE, DK, EE, ES, FI,

(72) Inventors; and

(75) Inventors/Applicants (for US only): ANDERSON, Tor, C. [US/US]; 2447 Alvin Street, Mountain View, CA 94043

[Continued on next page]

(54) Title: COMPRESSIVE SURFACES FOR ULTRASONIC TISSUE SCANNING



(57) Abstract: An apparatus and related methods for ultrasonically scanning a tissue sample are described, the apparatus comprising an ultrasound transducer and a taut fabric sheet compressing the tissue sample, the ultrasound transducer contacting the taut fabric sheet and ultrasonically scanning the tissue sample therethrough. Preferably, the taut fabric sheet is substantially porous with respect to an acoustic couplant. In another embodiment, an ultrasound transducer and a vented membrane are provided, the vented membrane having a first surface contacting the tissue surface and a second surface opposite the first surface, the ultrasound transducer contacting the second surface and being translated across the second surface for ultrasonically scanning the tissue volume. An acoustic couplant is applied to one of the tissue surface, the first surface, and the second surface, the vented membrane being provided with a void pattern such that it is substantially porous with respect to the acoustic coupling agent.

WO 2007/014292 A3



FR, GB, GR, HU, IE, IS, IT, LT, LU, LV, MC, NL, PL, PT, RO, SE, SI, SK, TR), OAPI (BF, BJ, CF, CG, CI, CM, GA, GN, GQ, GW, ML, MR, NE, SN, TD, TG).

For two-letter codes and other abbreviations, refer to the "Guidance Notes on Codes and Abbreviations" appearing at the beginning of each regular issue of the PCT Gazette.

Published:

- *with international search report*
- *before the expiration of the time limit for amending the claims and to be republished in the event of receipt of amendments*

(88) Date of publication of the international search report:

12 July 2007

INTERNATIONAL SEARCH REPORT

International application No.

PCT/US06/29179

A. CLASSIFICATION OF SUBJECT MATTER
 IPC: **A61B 8/00(2006.01)**

 USPC: **600/437**
 According to International Patent Classification (IPC) or to both national classification and IPC

B. FIELDS SEARCHED
 Minimum documentation searched (classification system followed by classification symbols)
 U.S. : 600/437

Documentation searched other than minimum documentation to the extent that such documents are included in the fields searched

Electronic data base consulted during the international search (name of data base and, where practicable, search terms used)

C. DOCUMENTS CONSIDERED TO BE RELEVANT

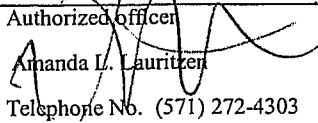
Category *	Citation of document, with indication, where appropriate, of the relevant passages	Relevant to claim No.
X	US 2003/0007598 A1 (WANG et al) 09 Jan 2003 (09.01.2003), Abstract, paras. 32, 101, 115, 116	1-26
X	US 2004/0015080 A1 (KELLY et al) 22 Jan 2004 (22.01.2004), Abstract, paras. 13, 101, 102	1-26

Further documents are listed in the continuation of Box C. See patent family annex.

* Special categories of cited documents:	
"A" document defining the general state of the art which is not considered to be of particular relevance	"T" later document published after the international filing date or priority date and not in conflict with the application but cited to understand the principle or theory underlying the invention
"E" earlier application or patent published on or after the international filing date	"X" document of particular relevance; the claimed invention cannot be considered novel or cannot be considered to involve an inventive step when the document is taken alone
"L" document which may throw doubts on priority claim(s) or which is cited to establish the publication date of another citation or other special reason (as specified)	"Y" document of particular relevance; the claimed invention cannot be considered to involve an inventive step when the document is combined with one or more other such documents, such combination being obvious to a person skilled in the art
"O" document referring to an oral disclosure, use, exhibition or other means	"&" document member of the same patent family
"P" document published prior to the international filing date but later than the priority date claimed	

Date of the actual completion of the international search: **07 January 2007 (07.01.2007)**
 Date of mailing of the international search report: **17 MAY 2007**

Name and mailing address of the ISA/US:
 Mail Stop PCT, Attn: ISA/US
 Commissioner for Patents
 P.O. Box 1450
 Alexandria, Virginia 22313-1450
 Facsimile No. (571) 273-3201

Authorized officer:

 Amanda L. Lauritzen
 Telephone No. (571) 272-4303