

(19) World Intellectual Property  
Organization  
International Bureau



(43) International Publication Date  
12 February 2004 (12.02.2004)

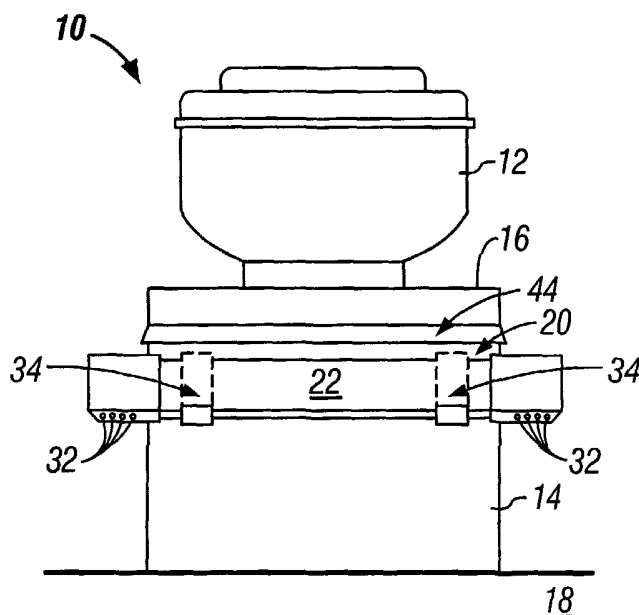
PCT

(10) International Publication Number  
**WO 2004/012844 A3**

- (51) International Patent Classification<sup>7</sup>: **B01D 25/02**
- (21) International Application Number:  
PCT/US2002/024233
- (22) International Filing Date: 31 July 2002 (31.07.2002)
- (25) Filing Language: English
- (26) Publication Language: English
- (63) Related by continuation (CON) or continuation-in-part (CIP) to earlier application:  
US 09/900,549 (CIP)  
Filed on 9 July 2001 (09.07.2001)
- (71) Applicant (for all designated States except US): **OMNI CONTAINMENT SYSTEMS, INC.** [US/US]; P.O. Box 161, Algonquin, IL 60102 (US).
- (72) Inventor; and
- (75) Inventor/Applicant (for US only): **CHWALA, Kevin** [US/US]; 10365 Church Rd., Barrington Hills, IL 60010 (US).
- (74) Agents: **SACHAROFF, Adam, K.** et al.; Much Shelist Freed Denenberg Ament and Rubenstein, PC, 191 N. Wacker Drive, Suite 1800, Chicago, IL 60606 (US).
- (81) Designated States (national): AE, AG, AL, AM, AT, AU, AZ, BA, BB, BG, BR, BY, BZ, CA, CH, CN, CO, CR, CU, CZ, DE, DK, DM, DZ, EC, EE, ES, FI, GB, GD, GE, GH, GM, HR, HU, ID, IL, IN, IS, JP, KE, KG, KP, KR, KZ, LC, LK, LR, LS, LT, LU, LV, MA, MD, MG, MK, MN, MW, MX, MZ, NO, NZ, OM, PH, PL, PT, RO, RU, SD, SE, SG, SI, SK, SL, TJ, TM, TN, TR, TT, TZ, UA, UG, US, UZ, VN, YU, ZA, ZM, ZW.
- (84) Designated States (regional): ARIPO patent (GH, GM, KE, LS, MW, MZ, SD, SL, SZ, TZ, UG, ZM, ZW), Eurasian patent (AM, AZ, BY, KG, KZ, MD, RU, TJ, TM), European patent (AT, BE, BG, CH, CY, CZ, DE, DK, EE, ES, FI, FR, GB, GR, IE, IT, LU, MC, NL, PT, SE, SK, TR), OAPI patent (BF, BJ, CF, CG, CI, CM, GA, GN, GQ, GW, ML, MR, NE, SN, TD, TG).
- Published:  
— with international search report
- (88) Date of publication of the international search report:  
25 March 2004

[Continued on next page]

(54) Title: GREASE CONTAINMENT ASSEMBLY



(57) Abstract: A grease containment assembly (20) to collect grease discharged from a grease exhaust system (10) that has an exhaust duct (14) extending upwardly from a roof top (18) and interconnected to a fan base (16) that connects to an exhaust fan (12). The grease containment includes a plurality of interconnecting channels (28) positioned around the exhaust duct to form a frame surrounding said exhaust duct. The channels further include a water channel (75) running along the bottom portion defined therein. A sorbent material (30) is further received within the interconnecting channels, having properties that absorbs grease and repels water. A plurality of egresses (108) positioned in the interconnecting channels permit water running along the water channels to drain out of the interconnecting channels.

WO 2004/012844 A3



---

*For two-letter codes and other abbreviations, refer to the "Guidance Notes on Codes and Abbreviations" appearing at the beginning of each regular issue of the PCT Gazette.*

# INTERNATIONAL SEARCH REPORT

International application No.

PCT/US02/24233

**A. CLASSIFICATION OF SUBJECT MATTER**  
 IPC(7) : B01D 25/02  
 US CL : 55/490, Dig. 36; 126/299R; 454/49  
 According to International Patent Classification (IPC) or to both national classification and IPC

**B. FIELDS SEARCHED**  
 Minimum documentation searched (classification system followed by classification symbols)  
 U.S. : 55/462, 490, 502, 506, 507, Dig. 36; 126/, 299D, 299E, 299R, 300, 301; 454/49, 365

Documentation searched other than minimum documentation to the extent that such documents are included in the fields searched

Electronic data base consulted during the international search (name of data base and, where practicable, search terms used)  
 Please See Continuation Sheet

**C. DOCUMENTS CONSIDERED TO BE RELEVANT**

Category *	Citation of document, with indication, where appropriate, of the relevant passages	Relevant to claim No.
A	US 4,653,617 A (SIMONSEN) 13 January 1987 (13.01.1987), figures 1-2, col. 3, lines 9-26	1-30
A	US 6,143,047 A (JODOIN et al) 07 November 2000 (07.11.2000), figures 1, 5a-c, col. 6, line 40 to col. 7, line 44, col. 10, lines 13-62	1-30
A	US 5,512,073 A (MIRZA et al) 30 April 1996 (30.04.1996), figures 1, 7, col. 3, line 66 to col. 4, line 30	1-30
A	US 5,196,040 A (MALLOY et al) 23 March 1993 (23.03.1993), figures, col. 2, line 20 to col. 3, line 50	1-30
A	US 4,869,236 A (BLOUGH) 26 September 1989 (26.09.1989), figures 1-2, col. 2, lines 36-57	1-30
A	US 4,887,588 A (RIAL) 19 December 1989 (19.12.1989), figures 1-5, col. 2, lines 9-50	1-30
A	US 5,814,115 A (ALLEN et al) 29 September 1998 (29.09.1998), figures 1, 5, 6, col. 2, line 32 to col. 3, line 32	1-30

Further documents are listed in the continuation of Box C.       See patent family annex.

* Special categories of cited documents:	"T"	later document published after the international filing date or priority date and not in conflict with the application but cited to understand the principle or theory underlying the invention
"A" document defining the general state of the art which is not considered to be of particular relevance	"X"	document of particular relevance; the claimed invention cannot be considered novel or cannot be considered to involve an inventive step when the document is taken alone
"E" earlier application or patent published on or after the international filing date	"Y"	document of particular relevance; the claimed invention cannot be considered to involve an inventive step when the document is combined with one or more other such documents, such combination being obvious to a person skilled in the art
"L" document which may throw doubts on priority claim(s) or which is cited to establish the publication date of another citation or other special reason (as specified)	"&"	document member of the same parent family
"O" document referring to an oral disclosure, use, exhibition or other means		
"P" document published prior to the international filing date but later than the priority date claimed		

Date of the actual completion of the international search: 09 October 2002 (09.10.2002)      Date of mailing of the international search report: 18 DEC 2002

Name and mailing address of the ISA/US: Commissioner of Patents and Trademarks, Box PCT, Washington, D.C. 20231, Facsimile No. (703)305-3230  
 Authorized officer: Frank M. Lawrence, Telephone No. 703-308-0651

**INTERNATIONAL SEARCH REPORT**

PCT/US02/24233

**Continuation of B. FIELDS SEARCHED Item 3:**

**DERWENT**

search terms: grease, exhaust, roof