



US00D810396S

(12) **United States Design Patent**  
**Wyant et al.**

(10) **Patent No.:** **US D810,396 S**

(45) **Date of Patent:** **\*\* Feb. 20, 2018**

(54) **BOOT REMOVER**

(71) Applicant: **Ron-Jo, LLC**, Monroe, LA (US)

(72) Inventors: **Ronald Wyant**, Columbia, LA (US);  
**Adam McGrew**, West Monroe, LA (US)

(\*\*) Term: **15 Years**

(21) Appl. No.: **29/586,545**

(22) Filed: **Dec. 5, 2016**

(51) **LOC (11) Cl.** ..... **07-99**

(52) **U.S. Cl.**  
USPC ..... **D2/642**

(58) **Field of Classification Search**  
USPC ..... D2/641-643; D3/200; D6/329  
CPC ..... A47G 25/80; A47G 25/82; A47G 25/84;  
A47G 25/845; A47G 25/86; A47G  
25/905; A47G 25/907; A47G 25/92;  
A47G 25/90

See application file for complete search history.

(56) **References Cited**

**U.S. PATENT DOCUMENTS**

|           |     |         |           |       |                       |
|-----------|-----|---------|-----------|-------|-----------------------|
| 231,529   | A * | 8/1880  | Boyington | ..... | A47C 7/52<br>223/115  |
| 453,737   | A * | 6/1891  | Golier    | ..... | A47G 25/80<br>223/115 |
| 530,080   | A * | 12/1894 | Bisnaz    | ..... | A47G 25/80<br>223/113 |
| D34,456   | S * | 4/1901  | Consolla  | ..... | D2/642                |
| D156,537  | S * | 12/1949 | Kent      | ..... | 211/90.01             |
| 2,517,183 | A * | 8/1950  | Dunn      | ..... | A47B 5/04<br>108/134  |
| D288,030  | S * | 2/1987  | Lauhoff   | ..... | D2/642                |
| D420,203  | S * | 2/2000  | Watkins   | ..... | D2/642                |
| D594,183  | S * | 6/2009  | Sagedy    | ..... | D2/642                |

|              |      |        |          |       |                       |
|--------------|------|--------|----------|-------|-----------------------|
| D766,544     | S *  | 9/2016 | Wyant    | ..... | D2/642                |
| 2011/0089203 | A1 * | 4/2011 | McNair   | ..... | A47G 25/86<br>223/114 |
| 2016/0220053 | A1 * | 8/2016 | Juderman | ..... | A47G 25/80            |

\* cited by examiner

*Primary Examiner* — Celia A Murphy  
*Assistant Examiner* — Clare A Gannon  
(74) *Attorney, Agent, or Firm* — Husch Blackwell LLP;  
Edward D. Manzo; George S. Pavlik

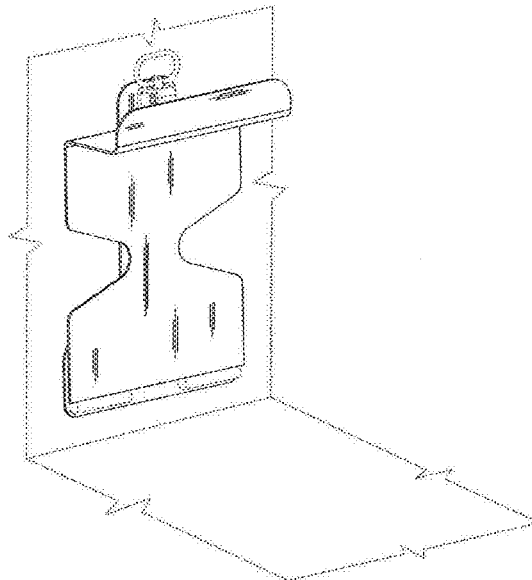
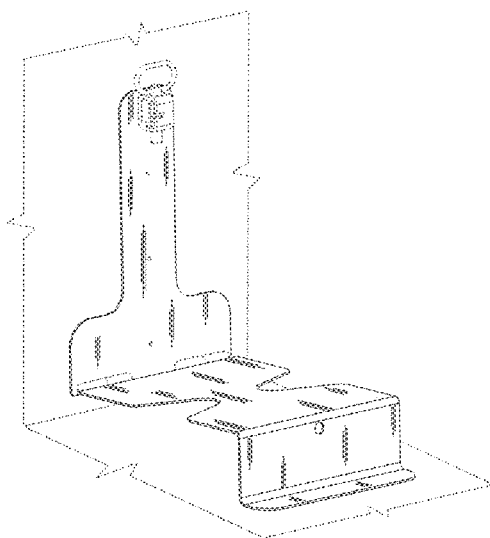
(57) **CLAIM**

The ornamental design for a boot remover, as shown and described.

**DESCRIPTION**

FIG. 1 is a first perspective view of the boot remover shown in an open position in a state of use on a wall and floor; FIG. 2 is a left side elevation view thereof; FIG. 3 is a right side elevation view thereof; FIG. 4 is a front elevation view thereof; FIG. 5 is a rear elevation view thereof; FIG. 6 is a top plan view thereof; FIG. 7 is a bottom plan view thereof; FIG. 8 is a second perspective view of the boot remover shown in a closed position in a state of use on a wall and floor; FIG. 9 is a left side elevation view thereof; and, FIG. 10 is a front elevation view thereof. The broken lines showing the wall and floor in FIGS. 1 and 8 illustrate environmental subject matter forms no part of the claimed design. All other broken lines illustrate portions of the boot remover that form no part of the claimed design.

**1 Claim, 9 Drawing Sheets**



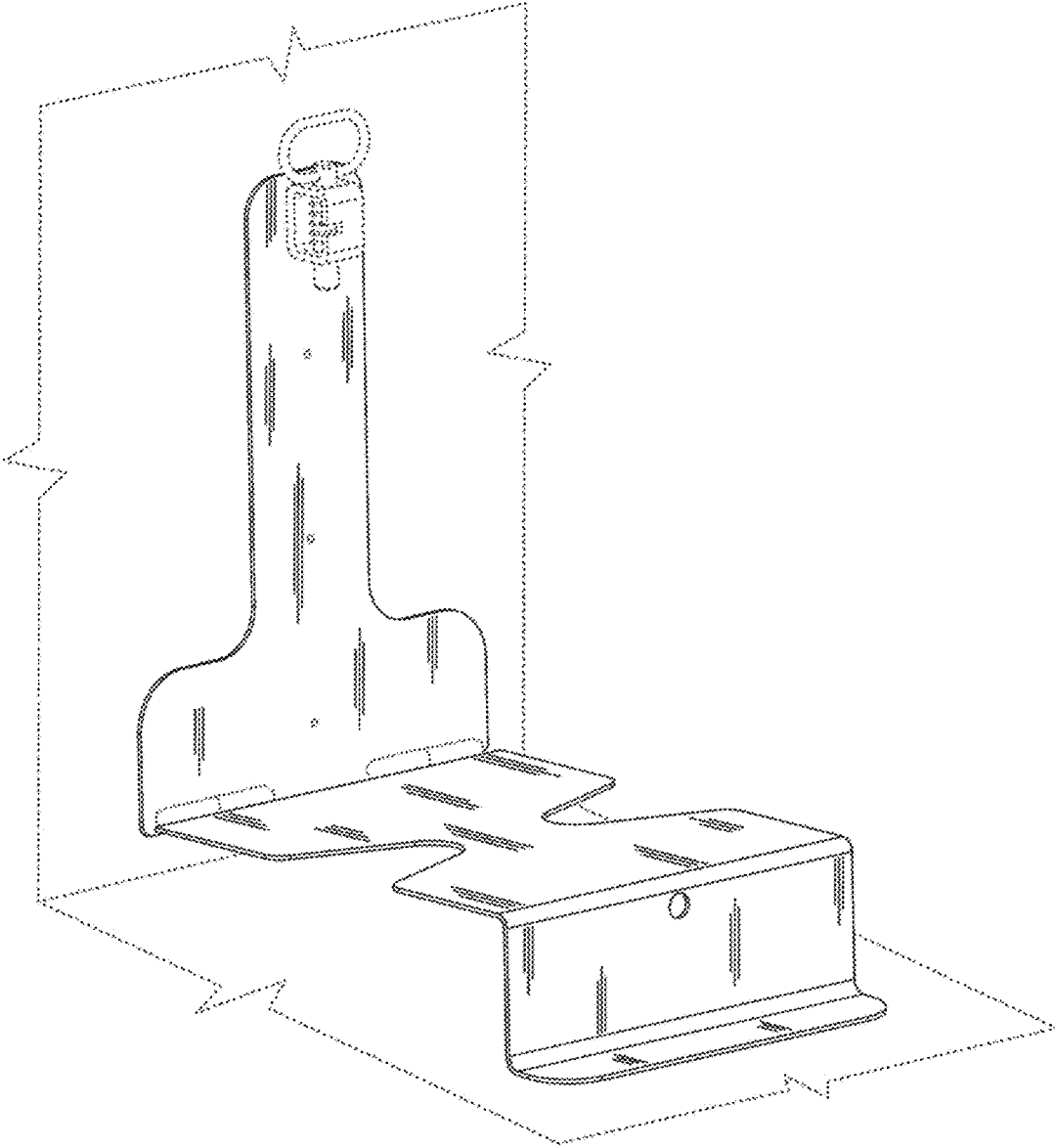


FIG. 1

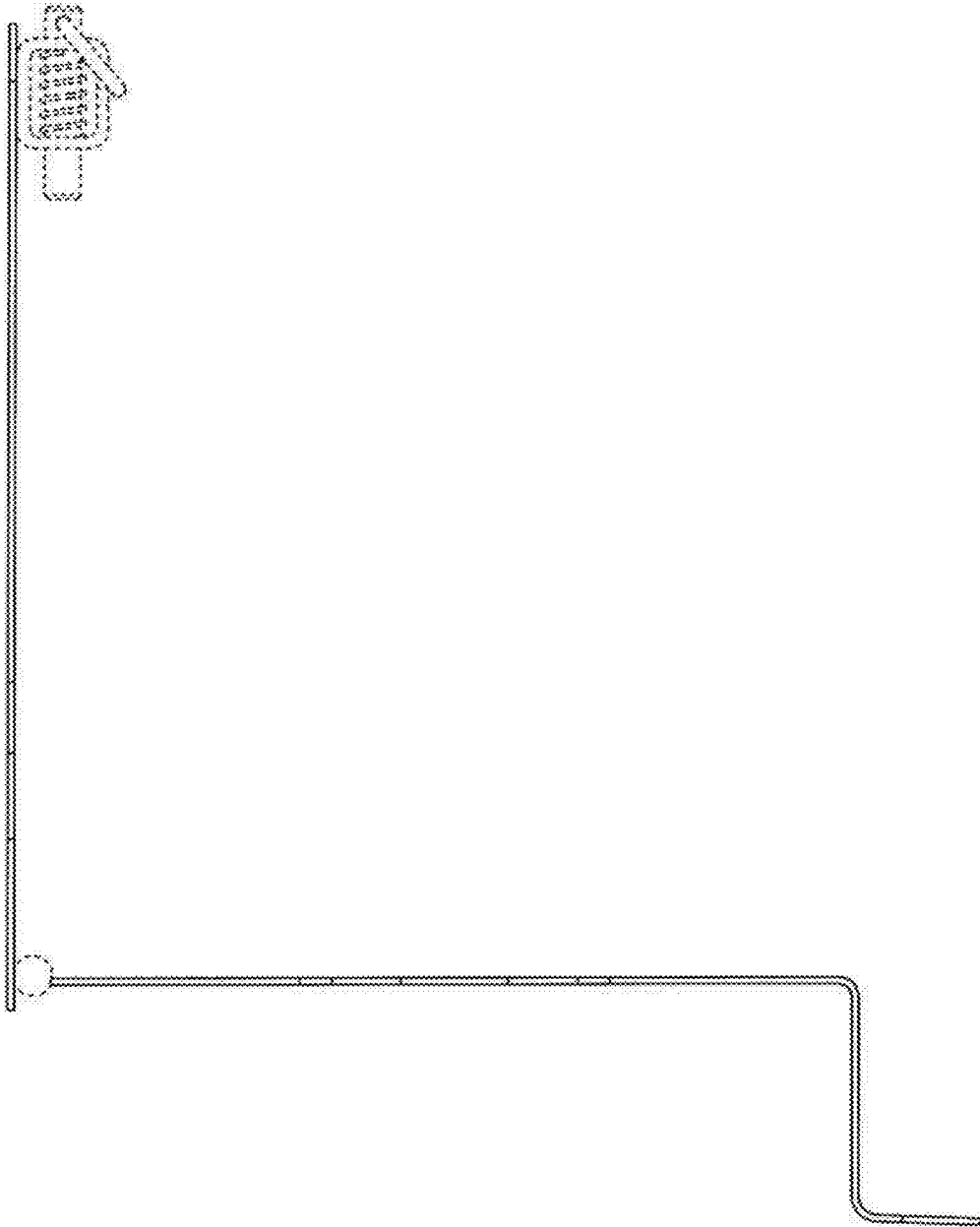


FIG. 2

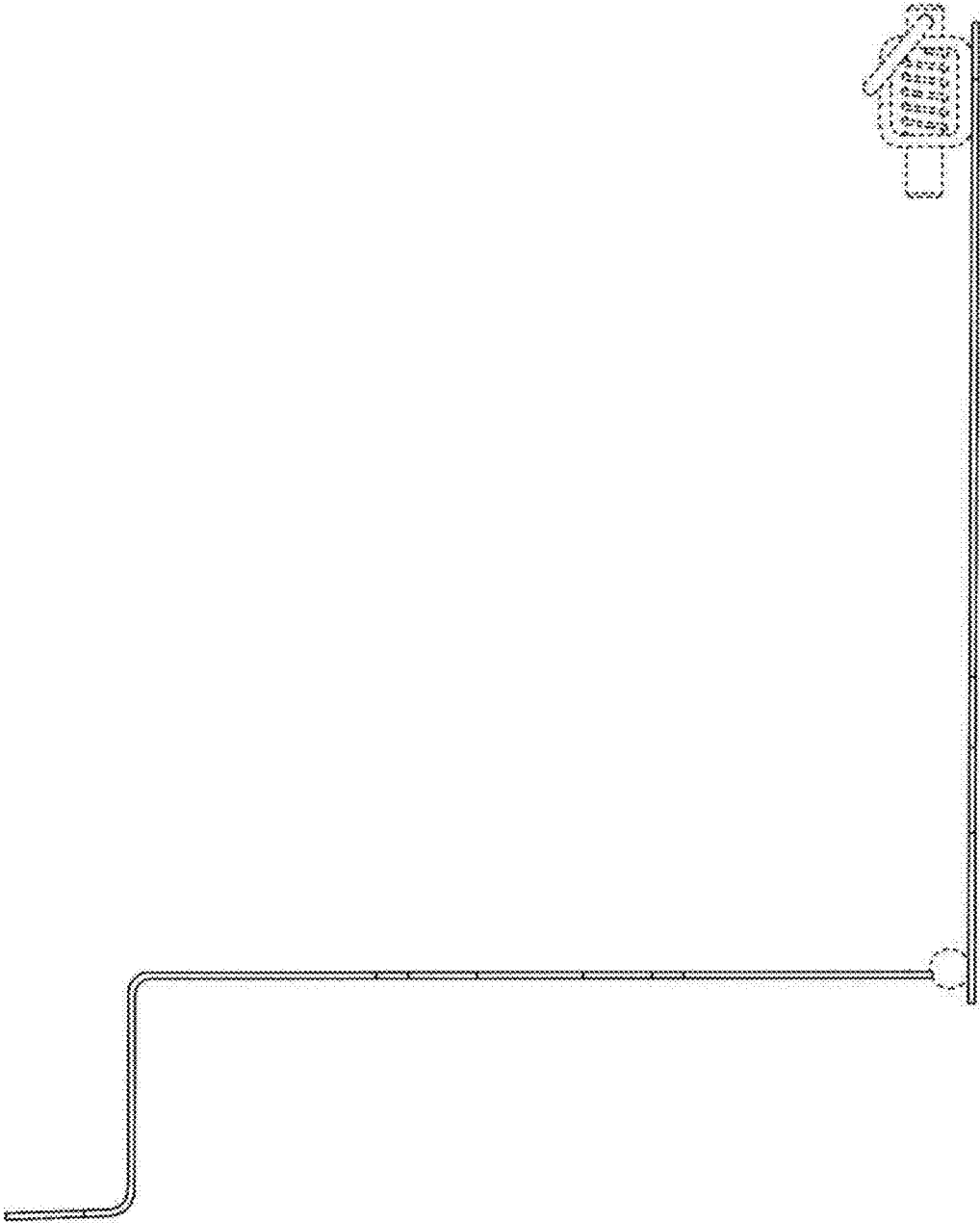


FIG. 3

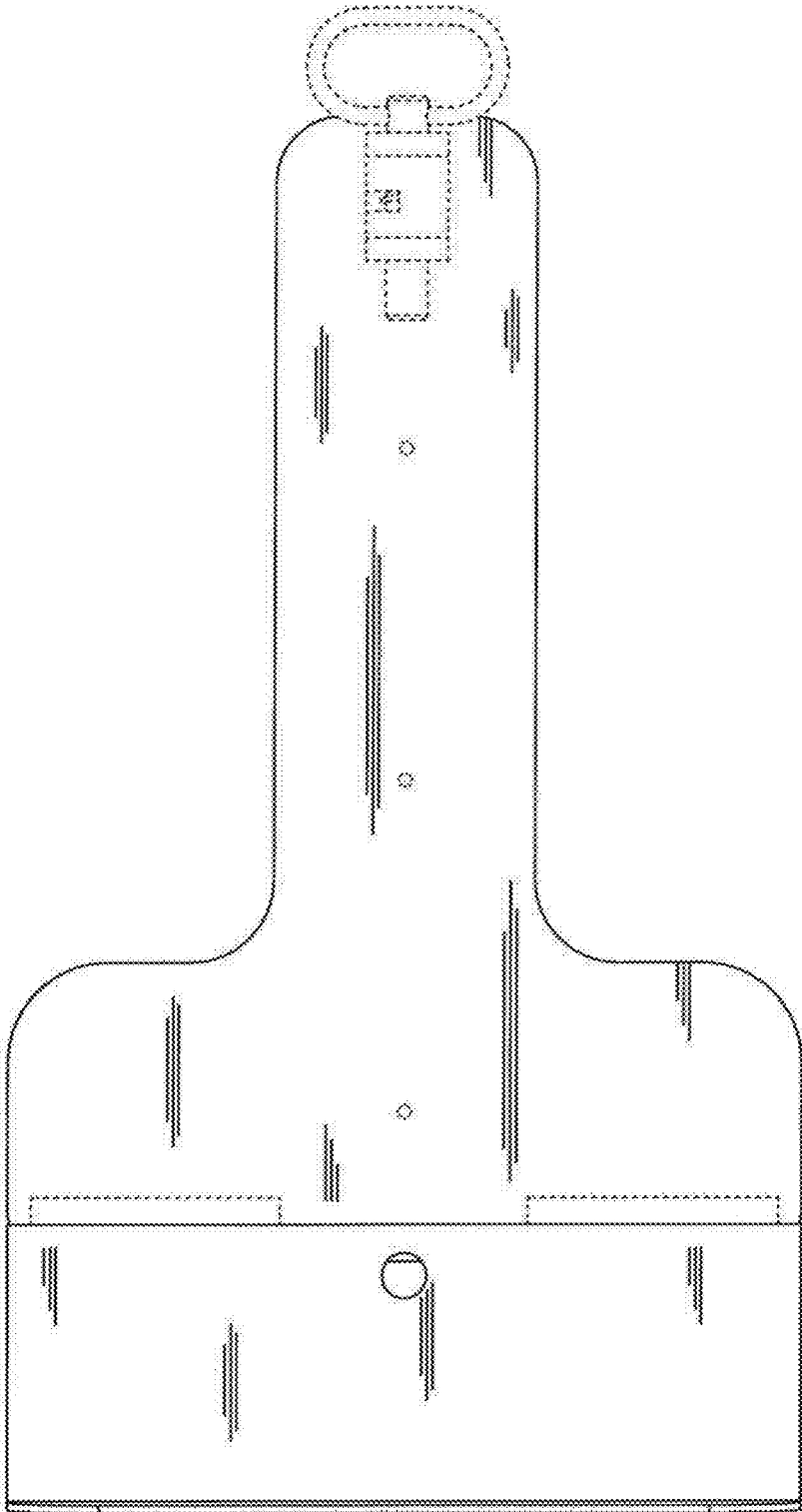


FIG. 4

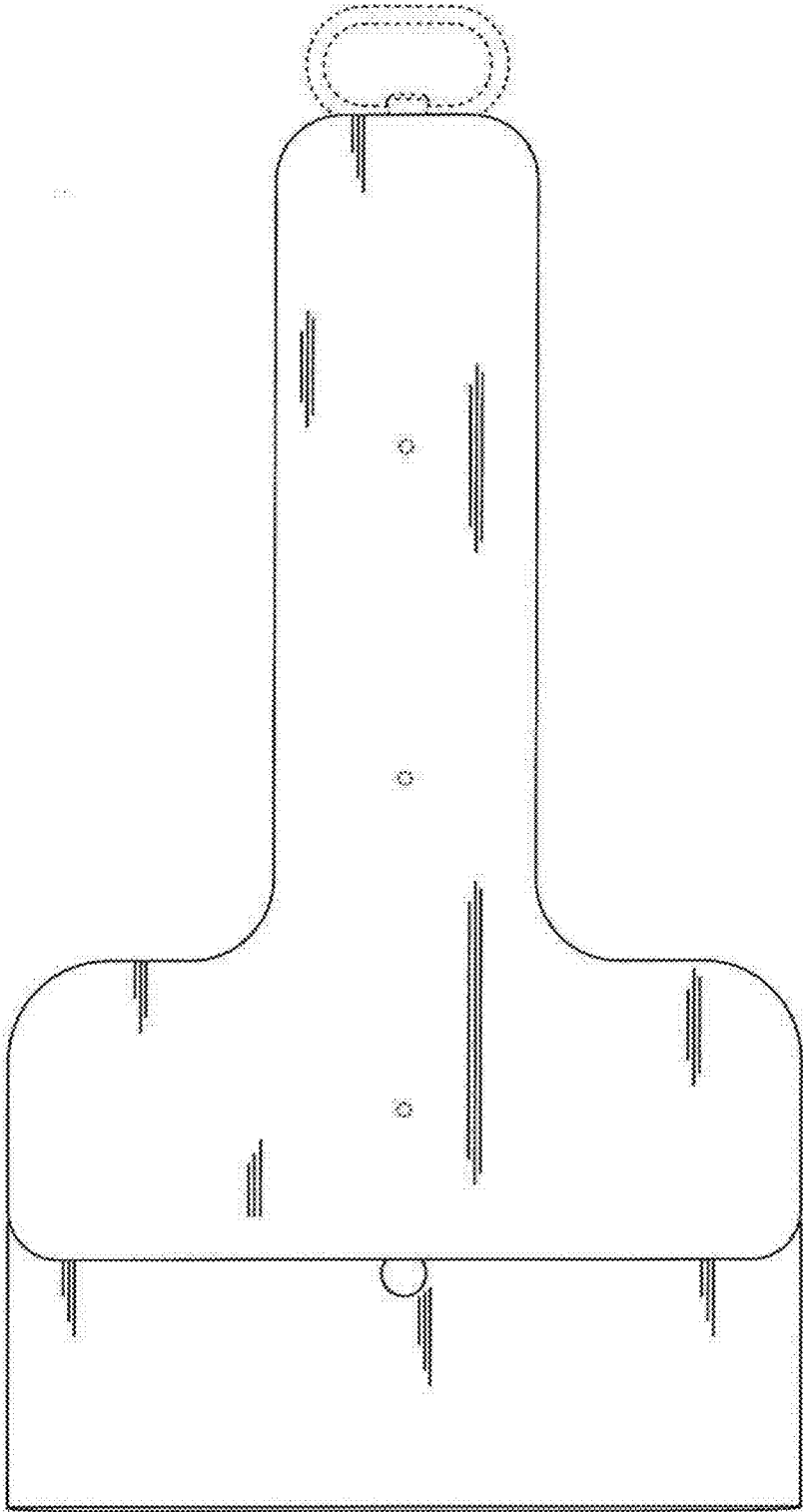


FIG. 5

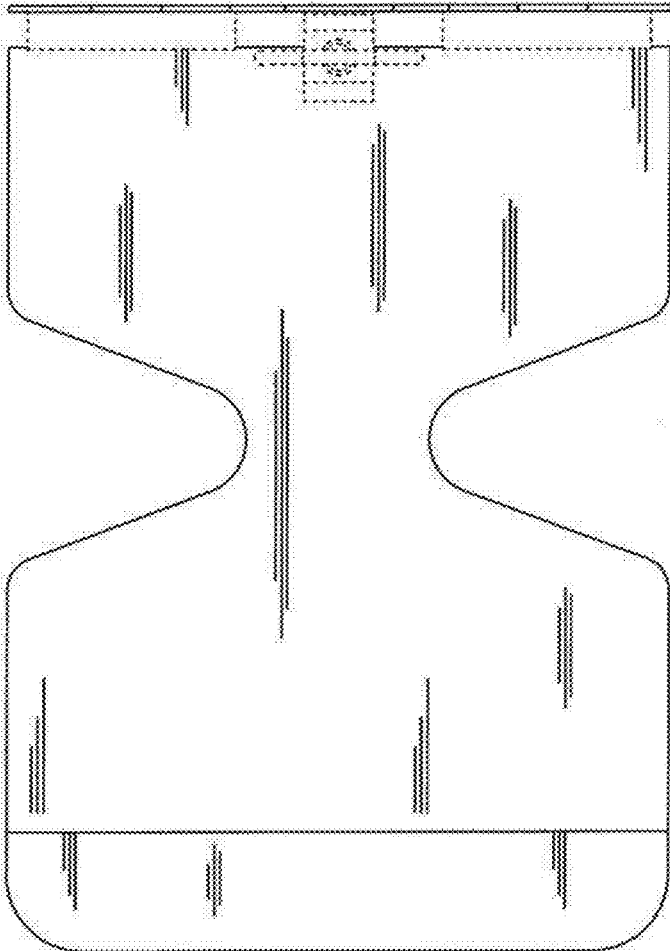


FIG. 6

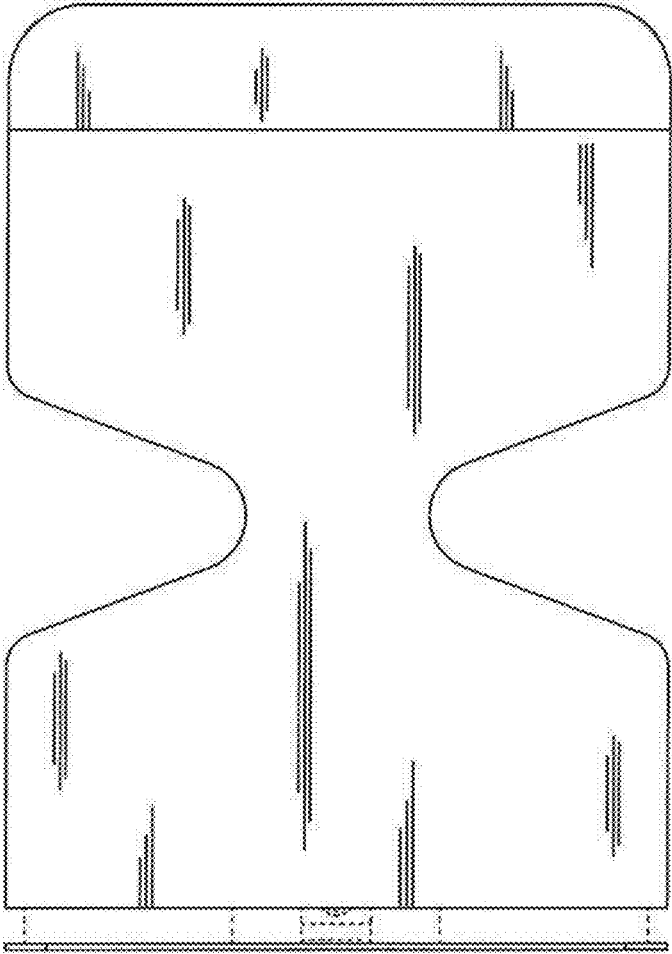


FIG. 7

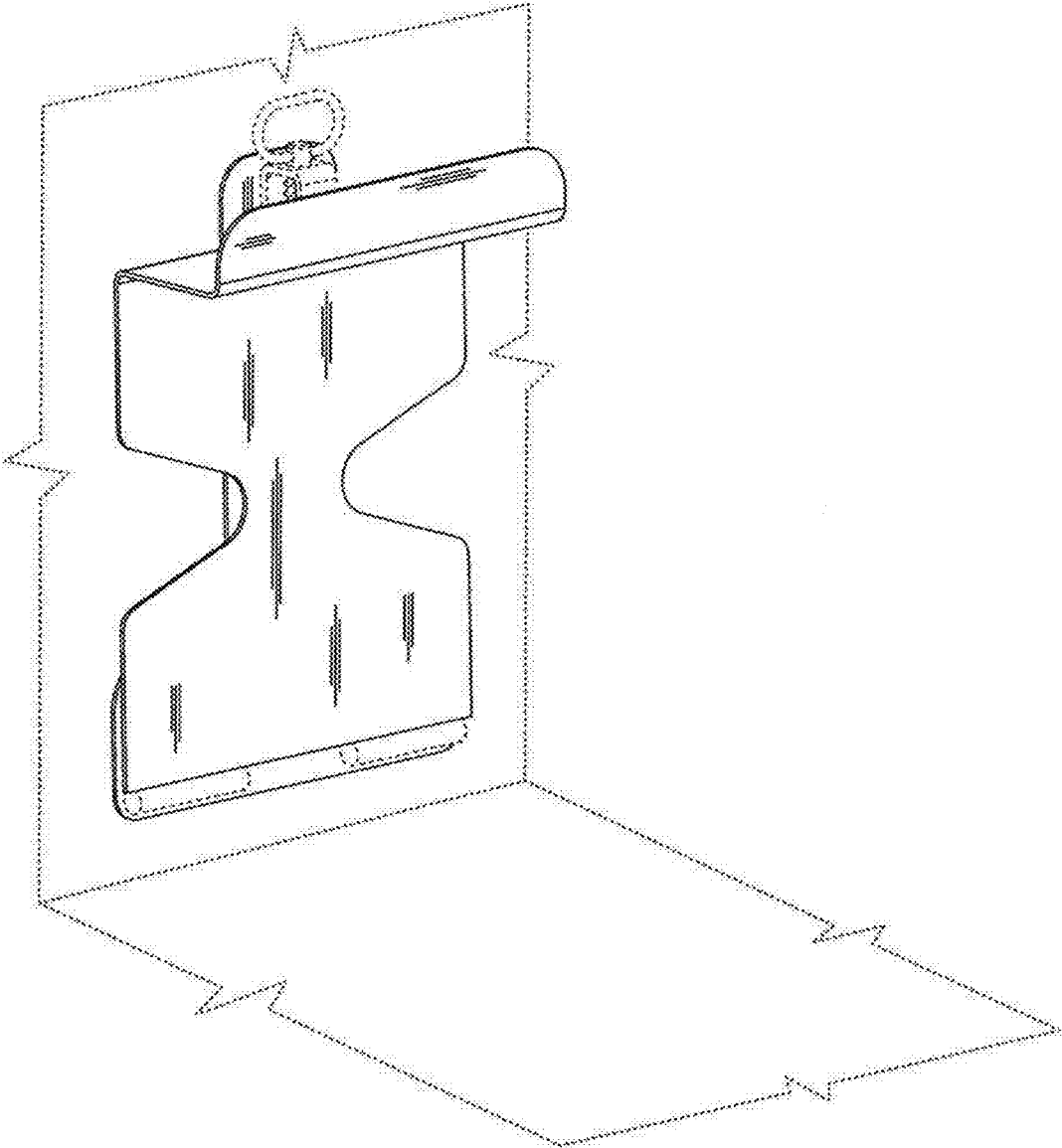


FIG. 8

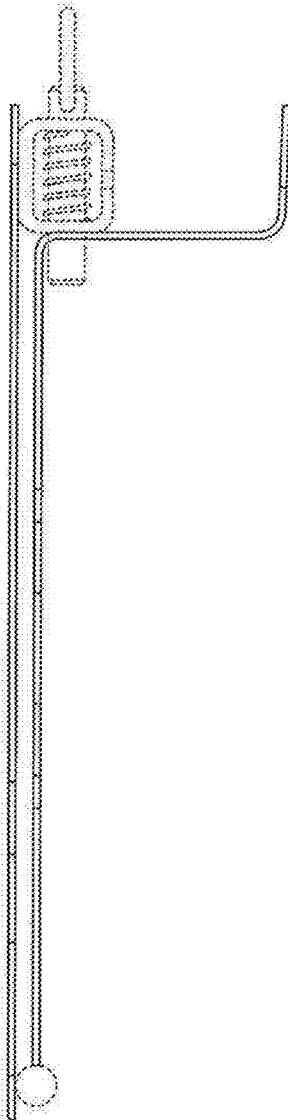


FIG. 9

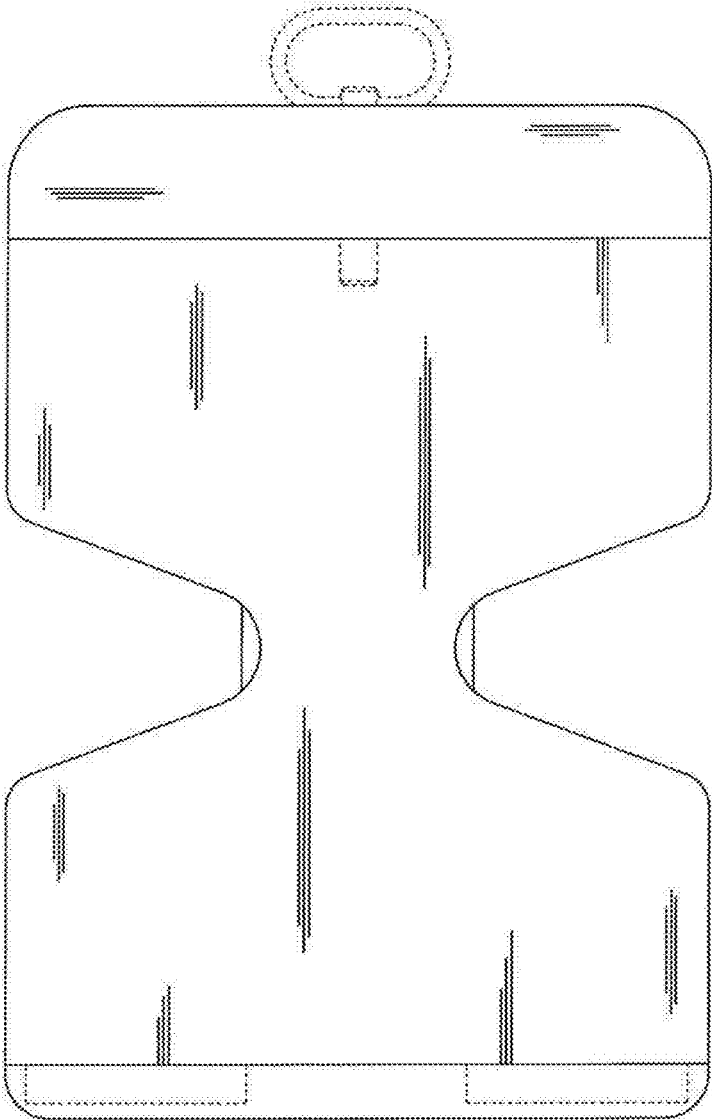


FIG. 10